




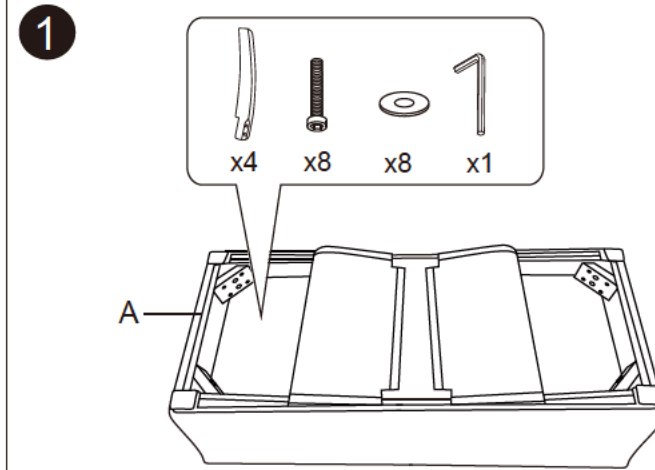


ASSEMBLY INSTRUCTIONS

Ax1	
Bx4	
Cx8	 M8*60mm
Dx8	
Ex1	



You will be able to locate part B, C, D & E underneath the part A.

