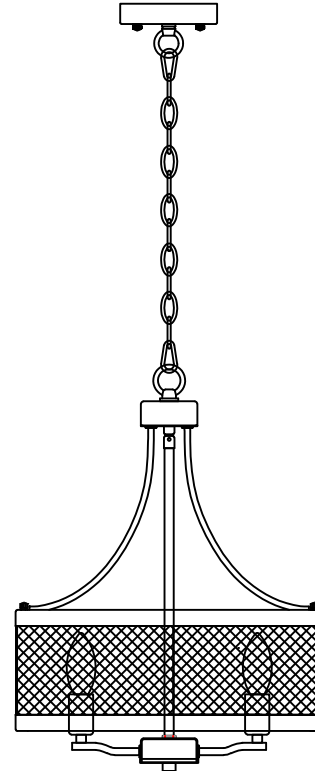


# INSTRUCTIONS



MADE IN CHINA

## IMPORTANT SAFETY INSTRUCTIONS

Requires installation by a licensed Electrician.

Carefully examine the cord, lamp holder, switch and all other parts for damage. If any part is damaged, the product should not be used.

This light fixture is rated for 40W MAX medium-base (E12) light bulb (120V, 60Hz). To avoid the risk of fire, do not exceed the recommended wattage.

We suggest using LED bulbs for low energy consumption and long-life span.

All electrical connections must be in accordance with local and National Electrical Code (NEC) standards

Keep all hardware parts out of children.

## CARE AND USE

Recommended for indoor use only.

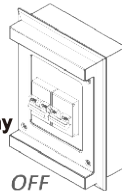
Wipe clean using a soft, dry cloth or static duster. Always avoid the use of harsh chemicals and abrasives to clean fixture as they may

## ITEMS YOU NEED

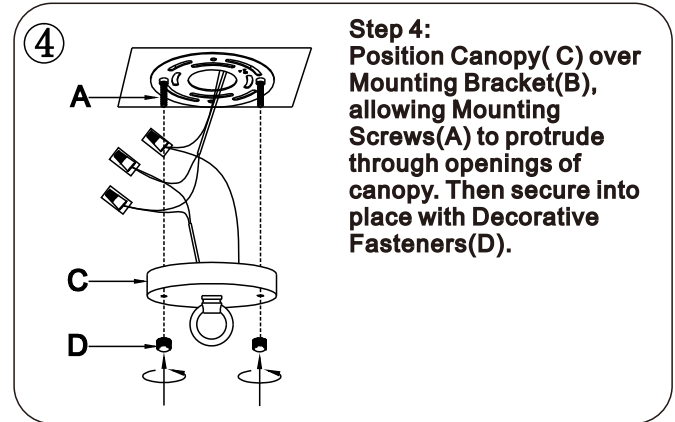
Ladder  
Screwdriver  
Wire Cutter/Stripper  
Electrical Tape

## GETTING STARTED

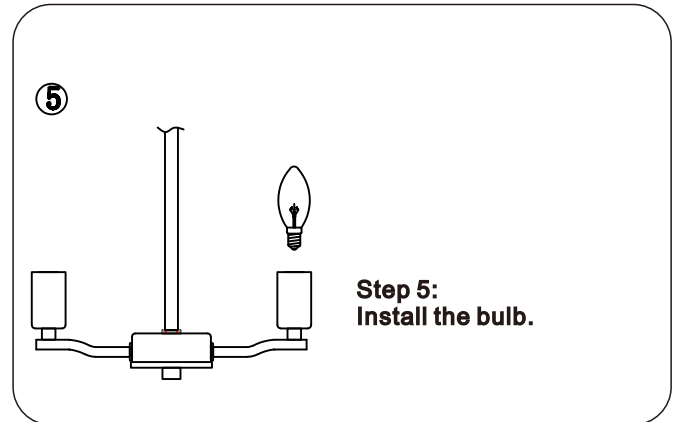
1. Carefully unpack fixture and parts.
2. Place all components on a clean, flat and soft surface (e.g. carpet or rug) to prevent parts from getting scratched.
3. Make sure all parts are included before discarding any packing materials.
4. Shut off main electrical supply at fuse box or circuit



PAGE1



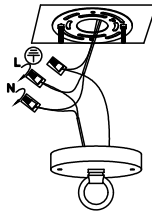
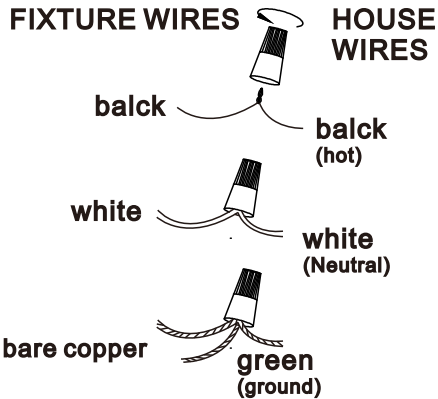
**Step 4:**  
Position Canopy (C) over Mounting Bracket (B), allowing Mounting Screws (A) to protrude through openings of canopy. Then secure into place with Decorative Fasteners (D).



**Step 5:**  
Install the bulb.

PAGE6

3



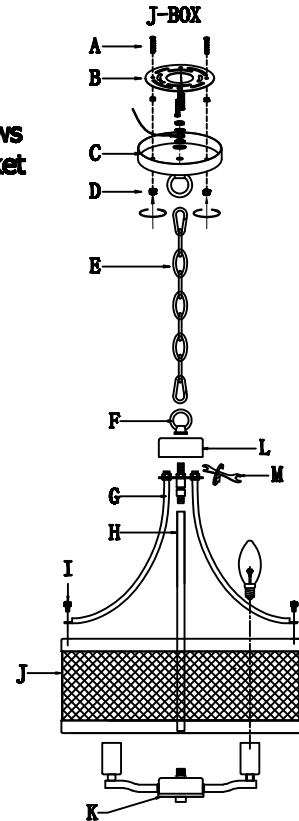
**Step 3.**

1. Connect black fixture wire to black supply wire and white fixture wire to white supply wire using wire caps(provided).Warp connection with electrical tape.
- 2.Connect ground wire from canopy with ground wire from junction box using a wire cap .Wrap with electrical tape for a more secure connection. If house does not have ground wire, attach grounding wire to green grounding screw marked GND.
- 3.Tuck all wires carefully into the J-Box.

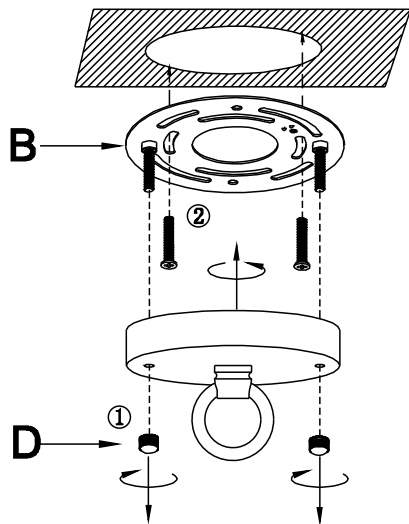
**WARNING:** Never connect grounding wire to black or white power supply wires. It is imperative that the outlet box in your home be properly grounded.

## Enjoy your new lamp

- A: Mounting Screws**
- B: Mounting Bracket**
- C: Ceiling Canopy**
- D: Decorative Fasteners**
- E: Pendant Chain**
- F: Chain Ring**
- G: Frame Support**
- H: Middle Rod**
- I: Finals**
- J: Lamp Frame**
- K: Middle Part**
- L: Cup**
- M: Spanner**



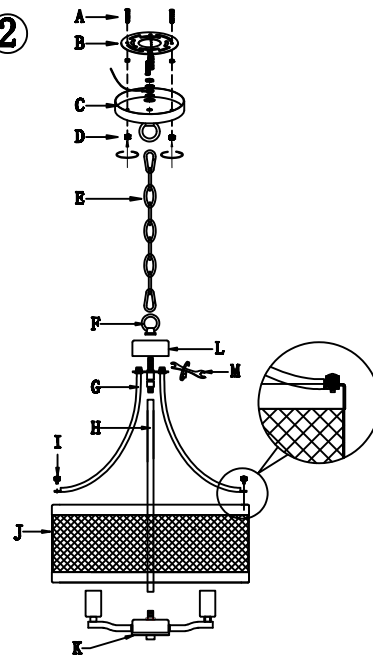
①



**Step 1:**

1. Remove the Mounting Bracket(B) from Ceiling Canopy( C) by unscrewing Decorative Fasteners(D).
2. Then Secure Mounting Bracket(B) to ceiling junction box by Mounting screw(A).

②



**Step 2:**

1. Lock the Frame Support(G) tightly by the Spanner(M), then Lock the Lamp Frame(J) with the Finals(I).
2. Install the middle Rod(H) onto the Middle Part(K), then put the Cup(L) on and go through it, and then lock tightly by the Chain Ring(F) .
3. Put on the Pendant Chain(E) between Ceiling Canopy(C) and the Down Rod with Ring(F).