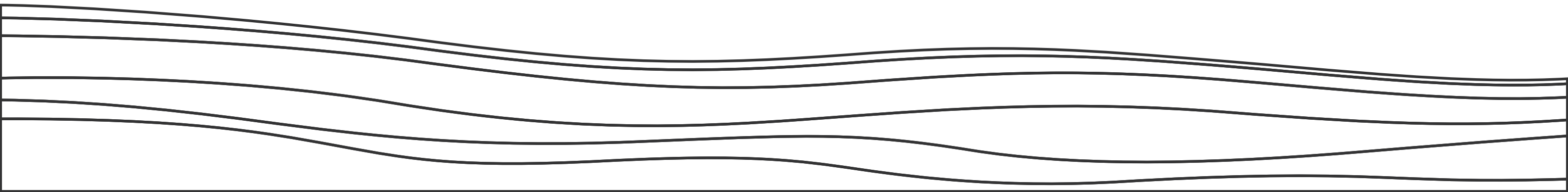


SHOWER BASE

INSTALLATION INSTRUCTIONS



CATALOG

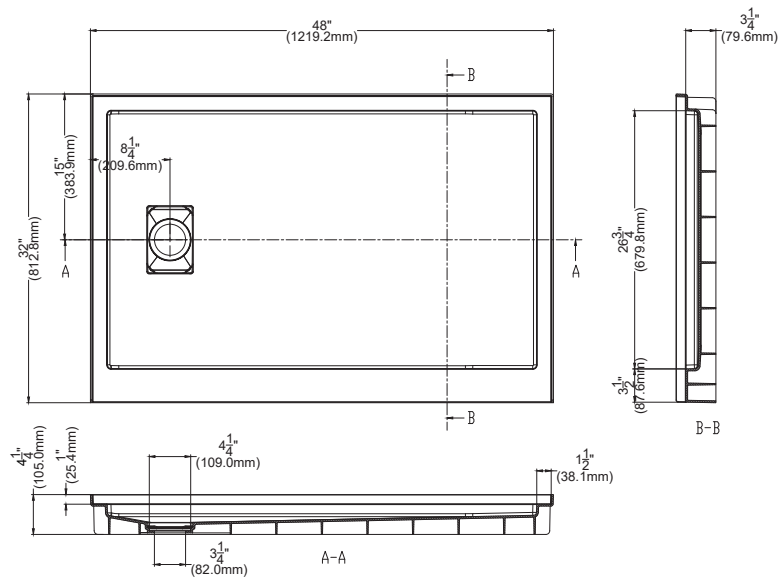
1. Product Specifications.....	P1
2. Required Tools.....	P17
3. Special Note On Sealants.....	P18
4. Preparation Tips.....	P19
5. Installing The Pan.....	P20
6. Care And Maintenance.....	P21
7. Warranty.....	P22

Thank you for purchasing a Fineyou® Shower Pan. Please read the instructions carefully prior to installing the pan. These are basic instructions for the installation of a Fineyou shower pan in a step-by-step sequence that will work in most types of installations. If you have an installation that is not covered in this manual, please contact Fineyou directly for additional information to cover your application.

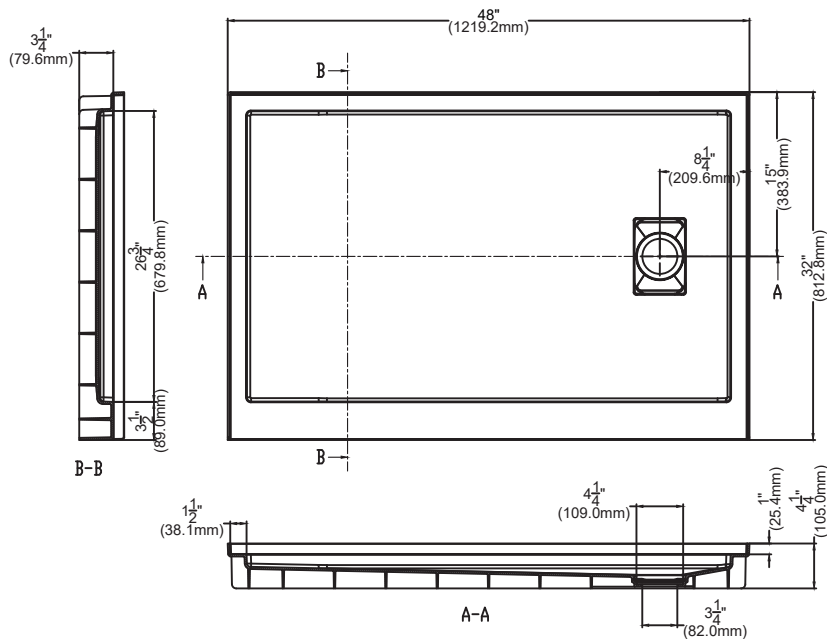
Warning: Please inspect the shower pan for breakage and report any damage to the store of purchase. Allow the shower pan to acclimate to room temperature before installing.

1. Product Specifications

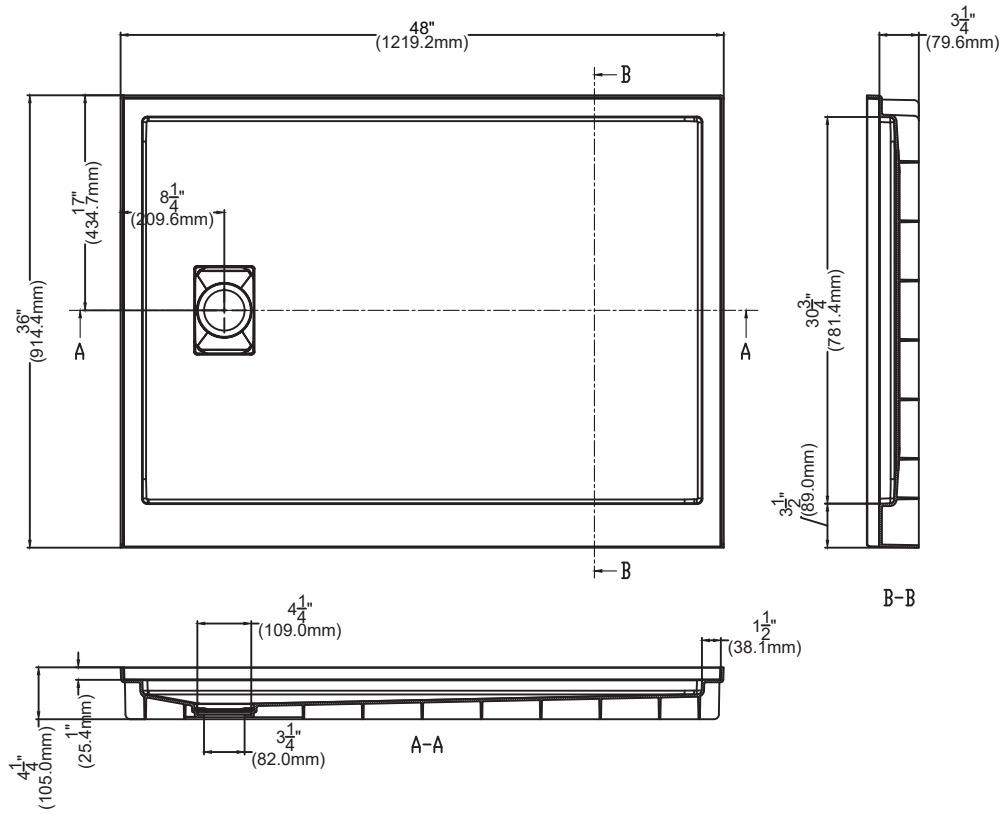
A 48" × 32" (LEFT DRAIN)



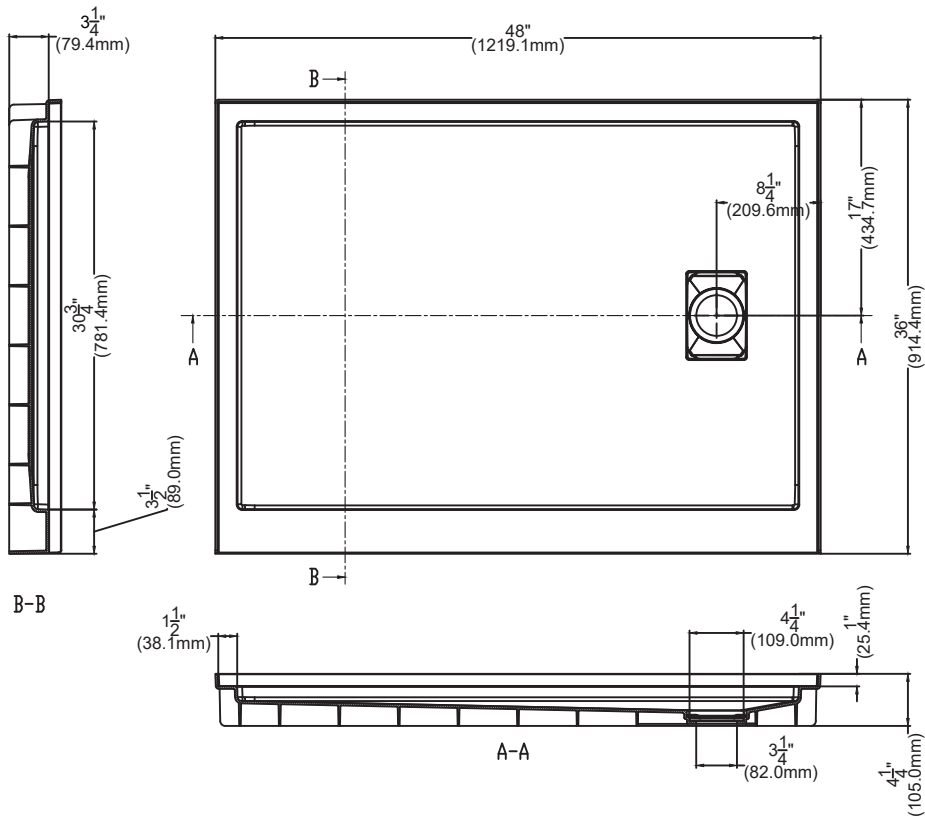
A 48" × 32" (RIGHT DRAIN)



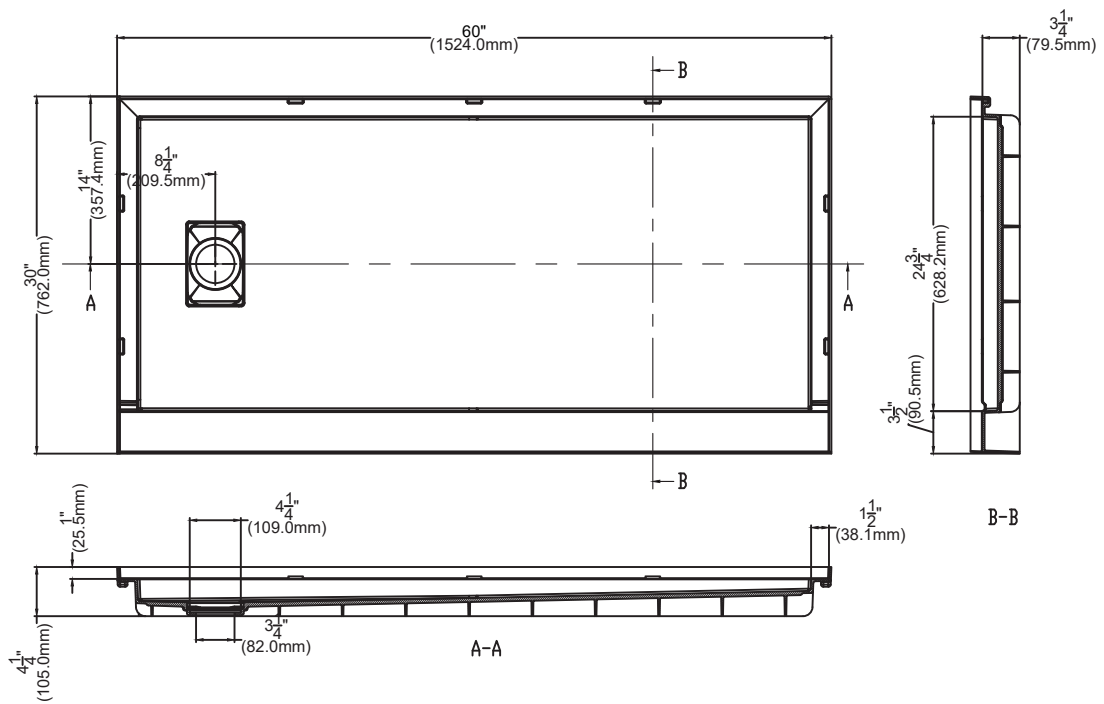
A 48" × 36" (LEFT DRAIN)



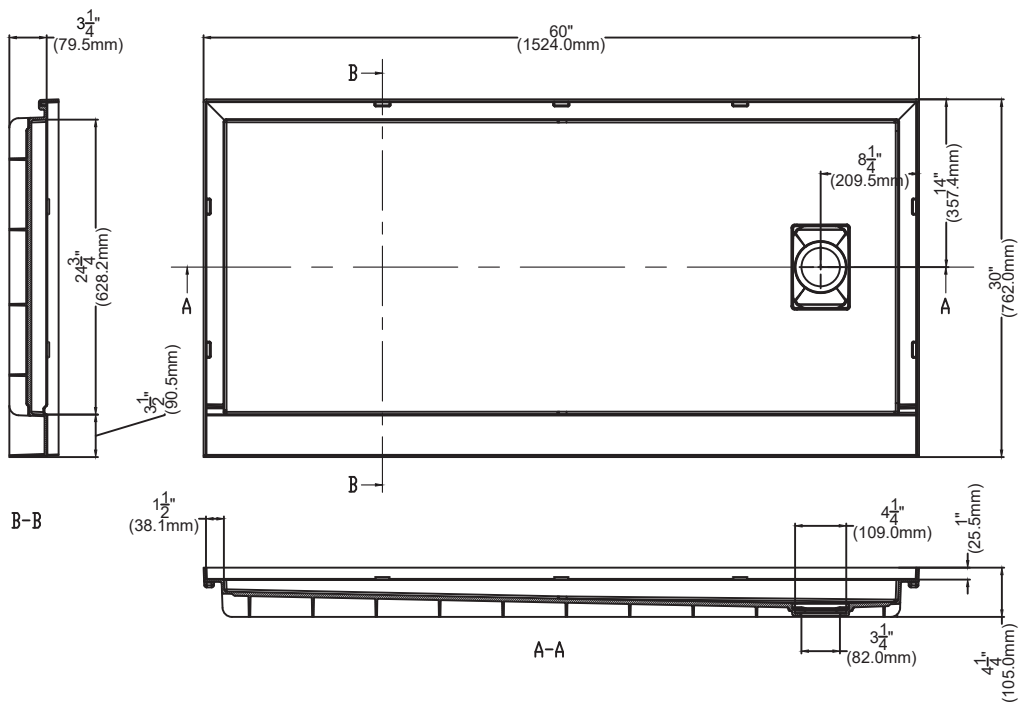
A 48" × 36" (RIGHT DRAIN)



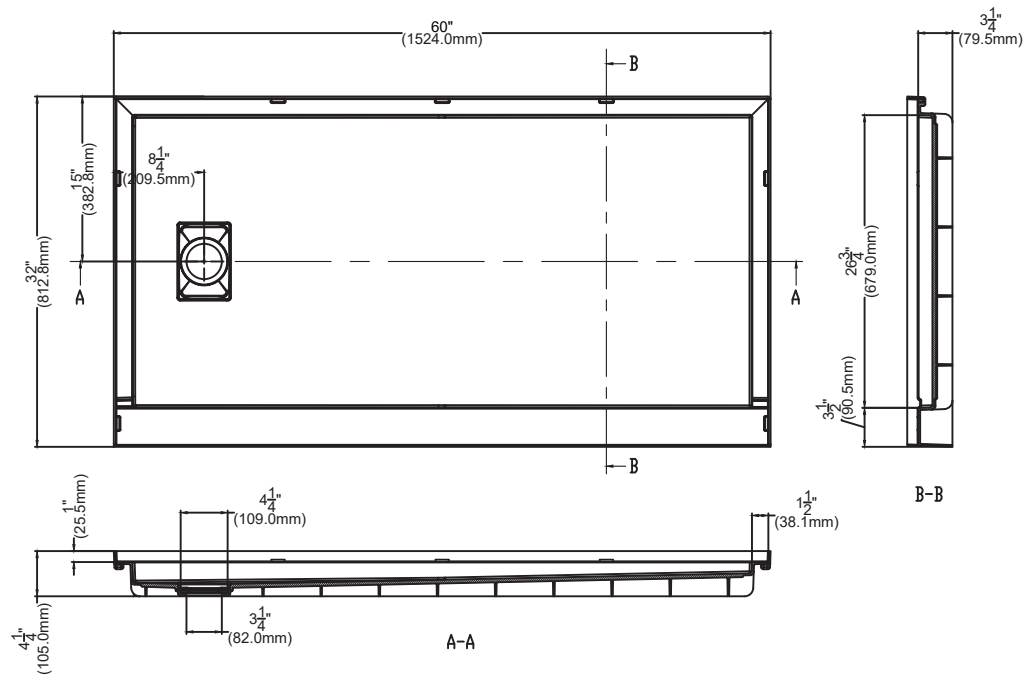
A 60" × 30" (LEFT DRAIN)



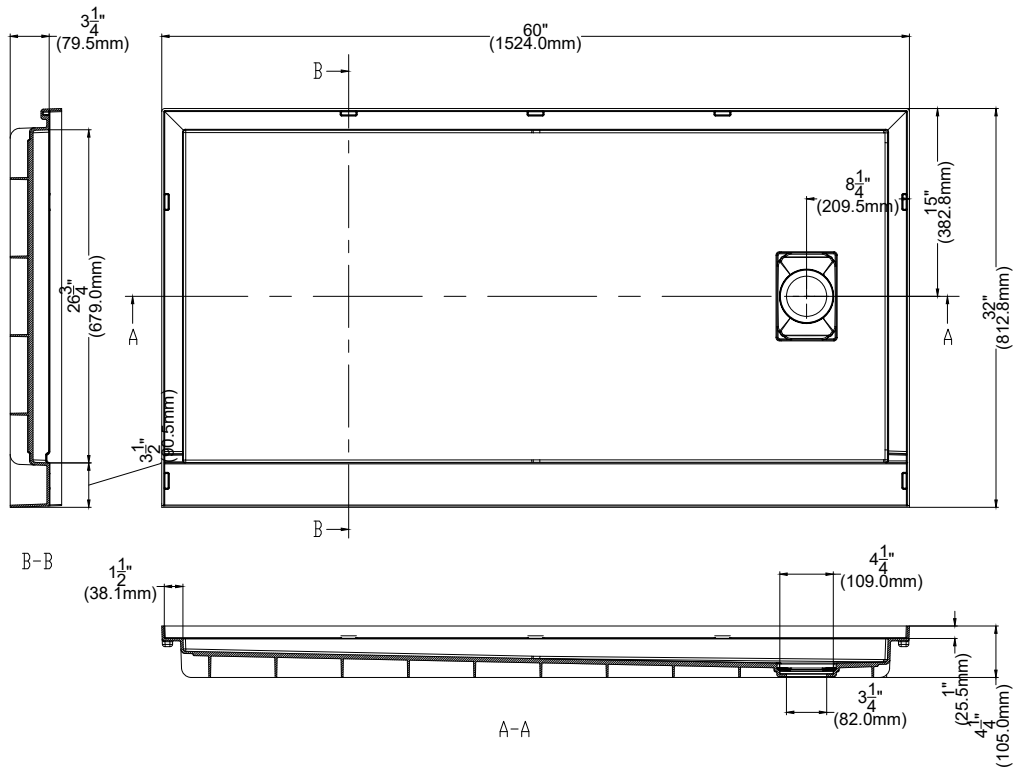
A 60" × 30" (RIGHT DRAIN)



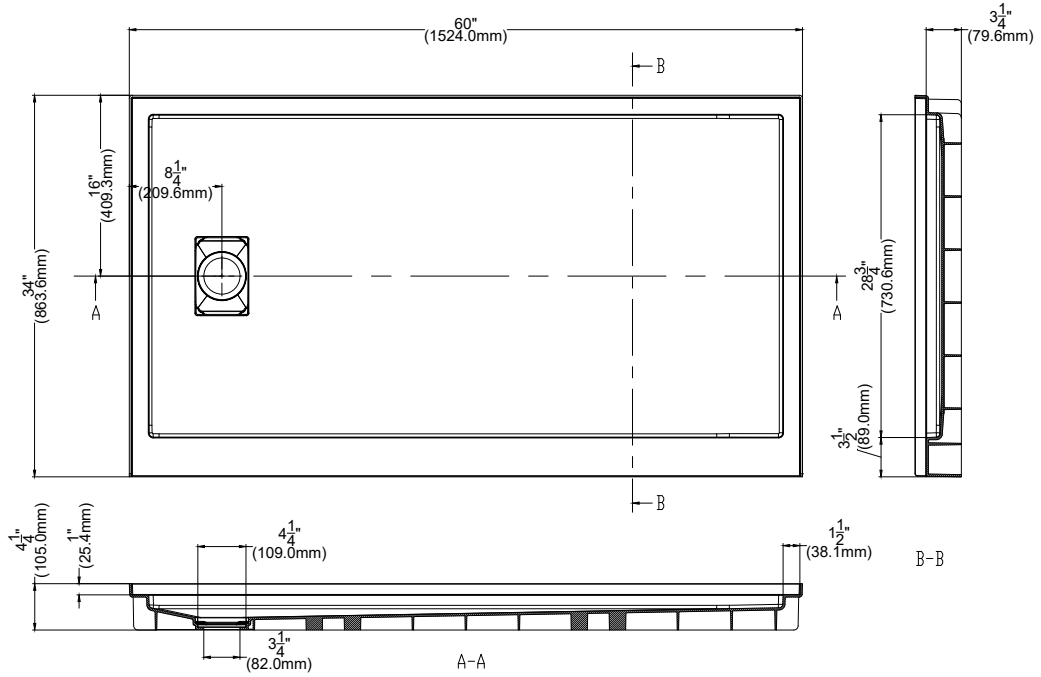
A 60" × 32" (LEFT DRAIN)



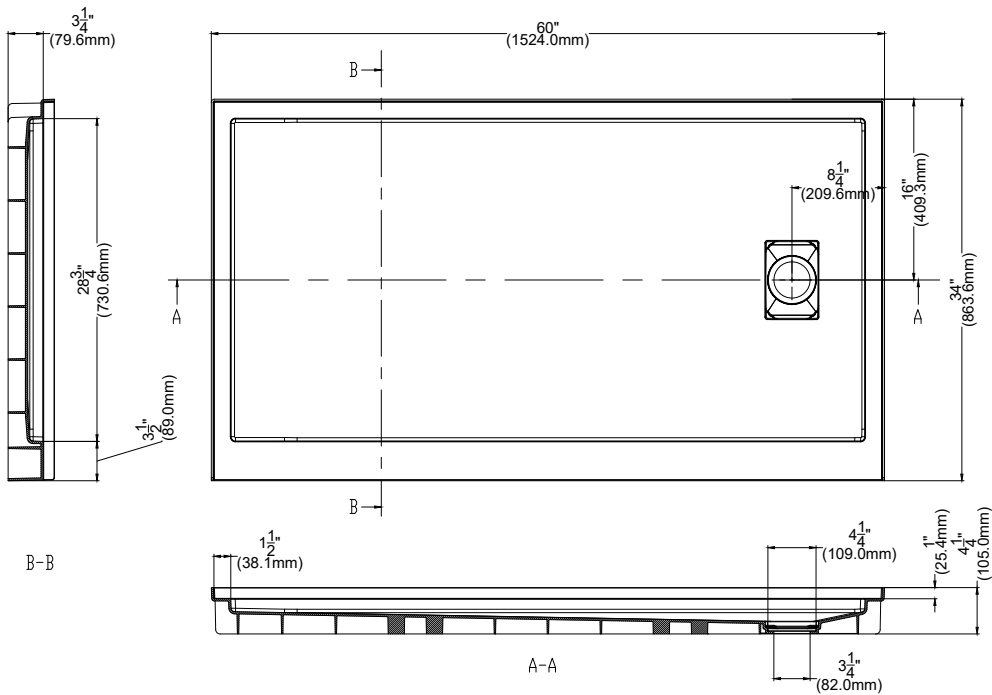
A 60" × 32" (RIGHT DRAIN)



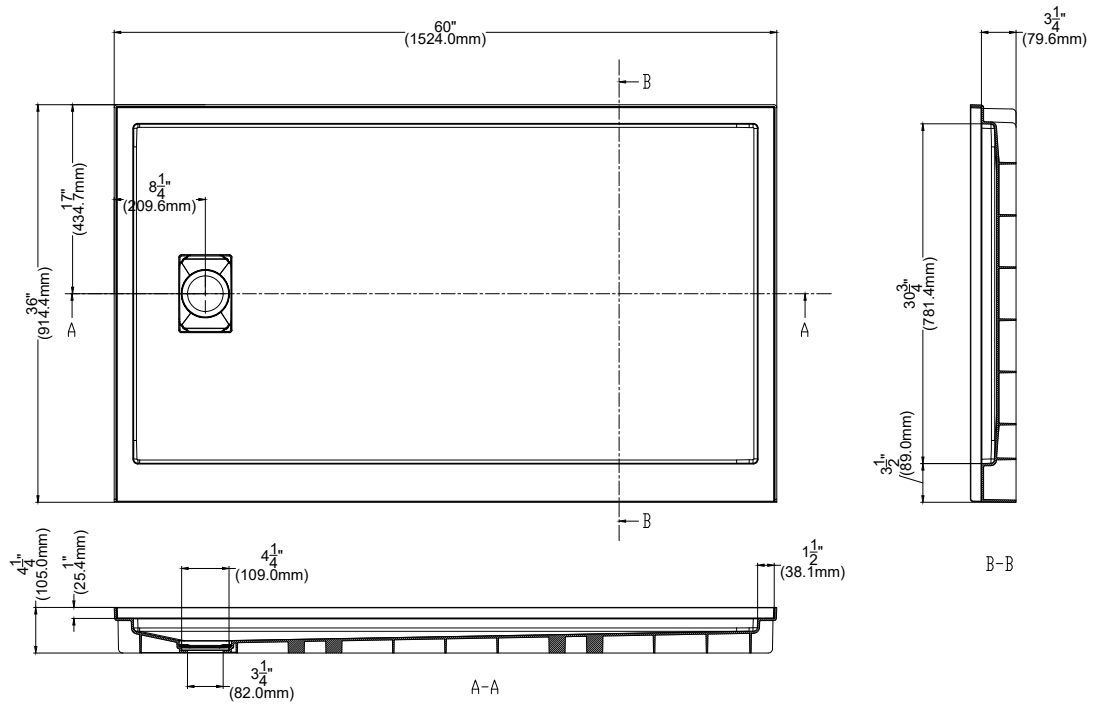
A 60" × 34" (LEFT DRAIN)



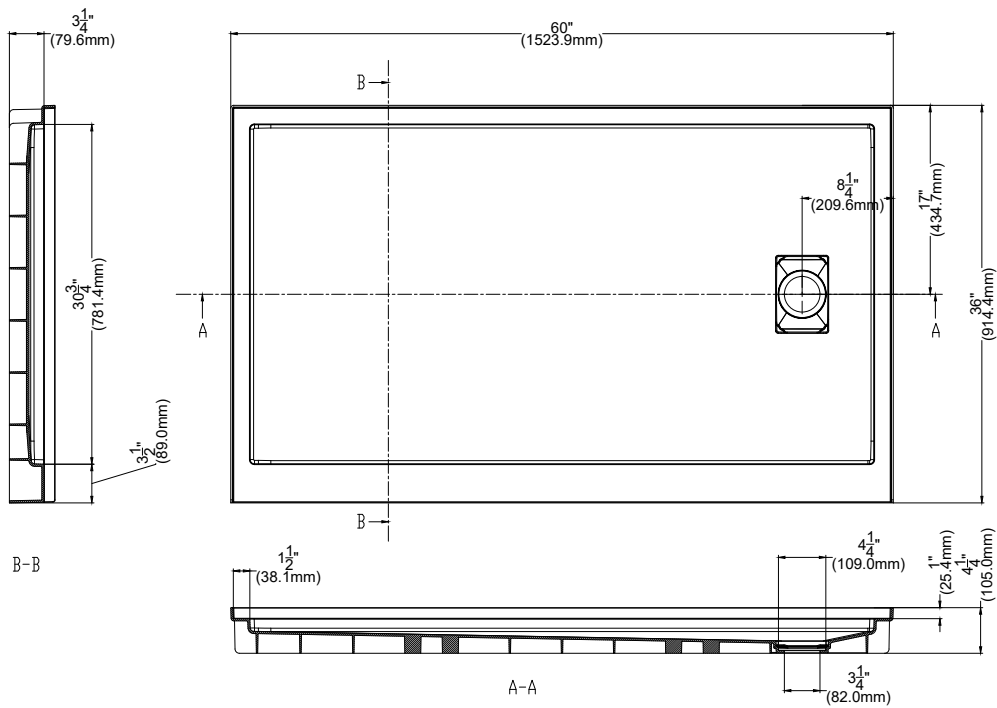
A 60" × 34" (RIGHT DRAIN)



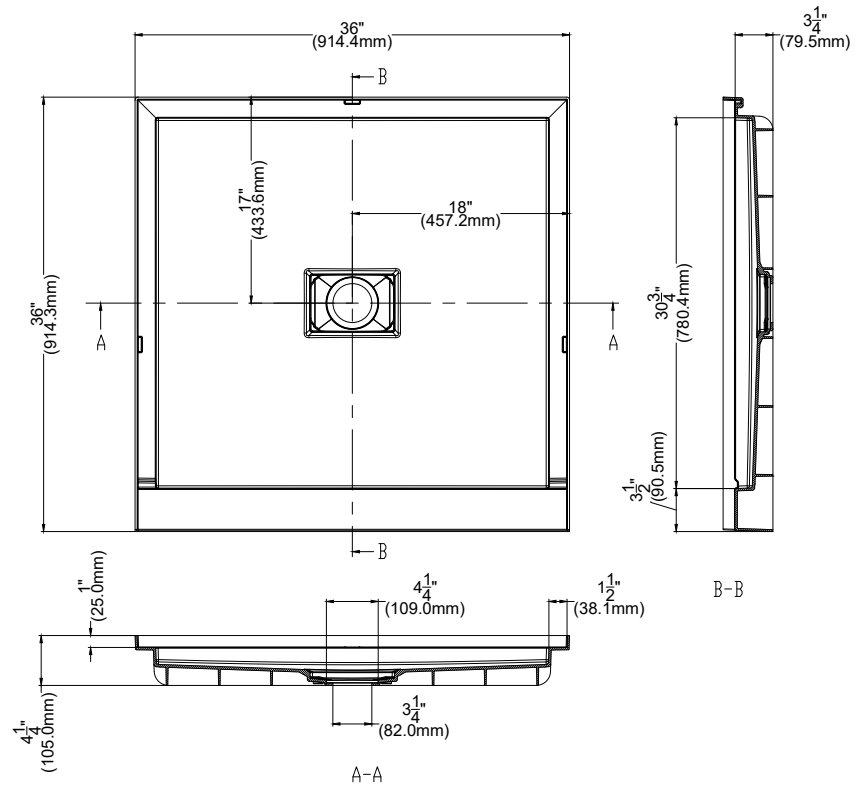
A 60" × 36" (LEFT DRAIN)



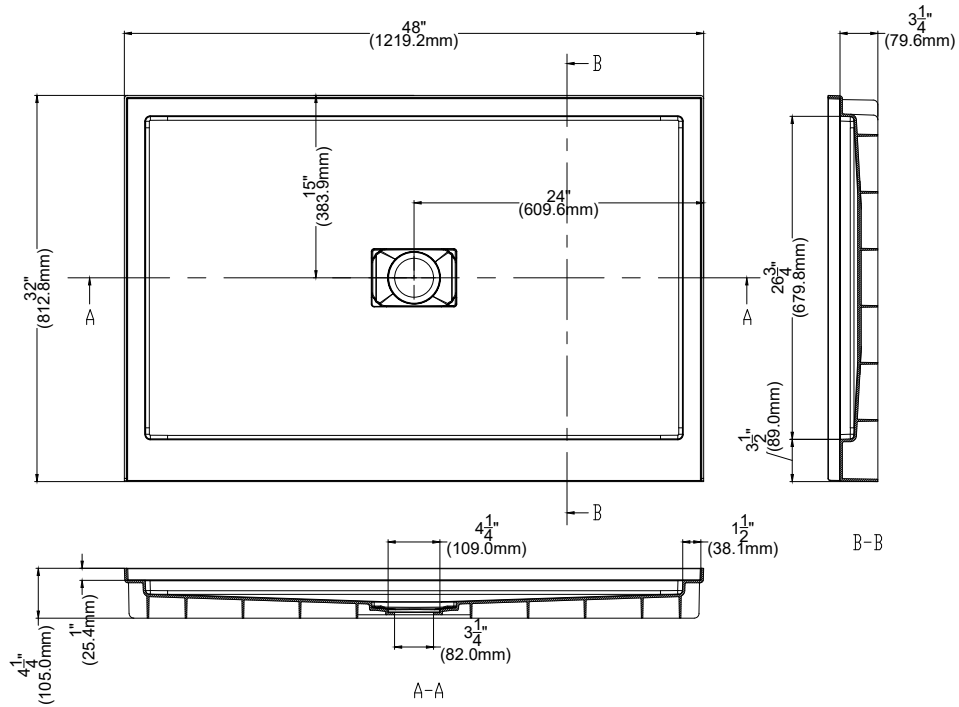
A 60" × 36" (RIGHT DRAIN)



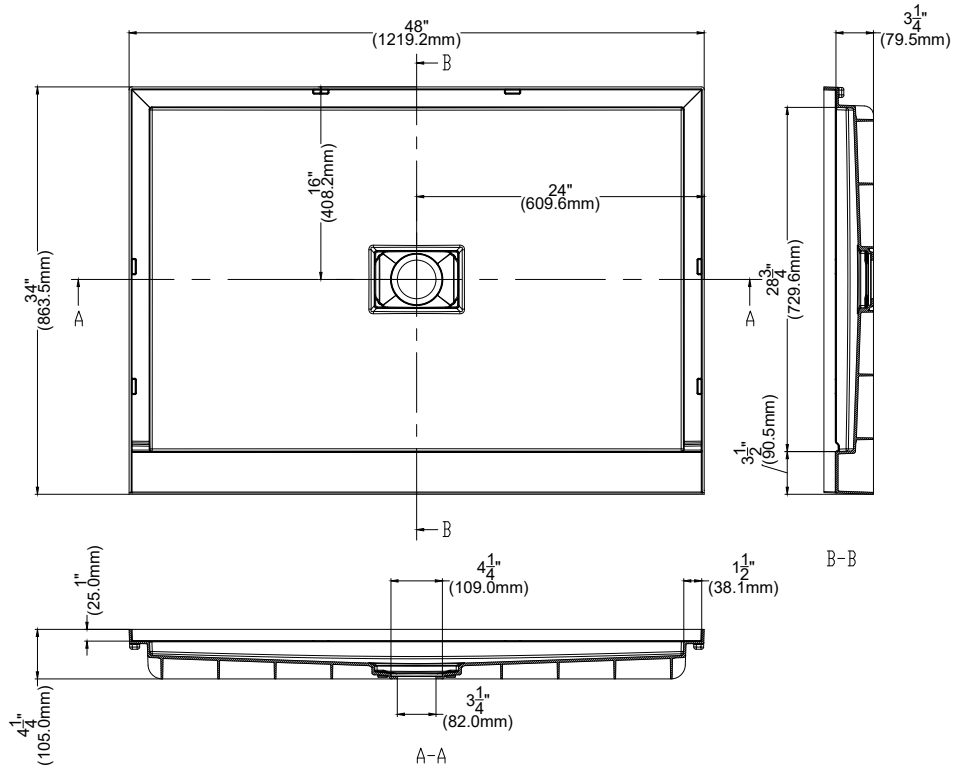
A 36" × 36"



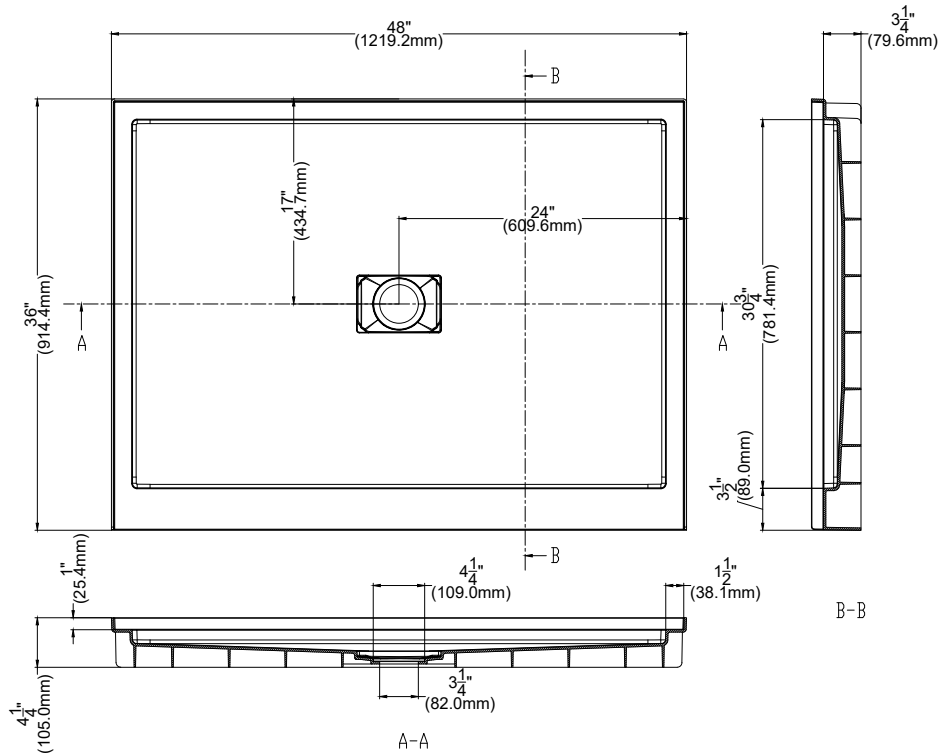
A 48" × 32"



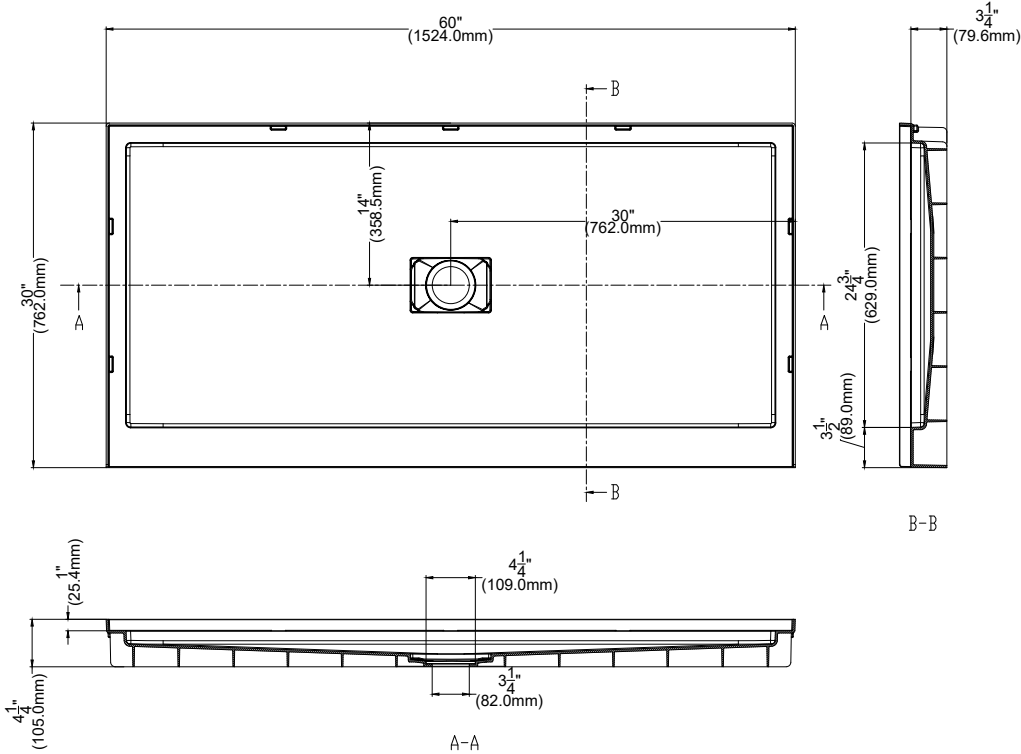
A 48" × 34"



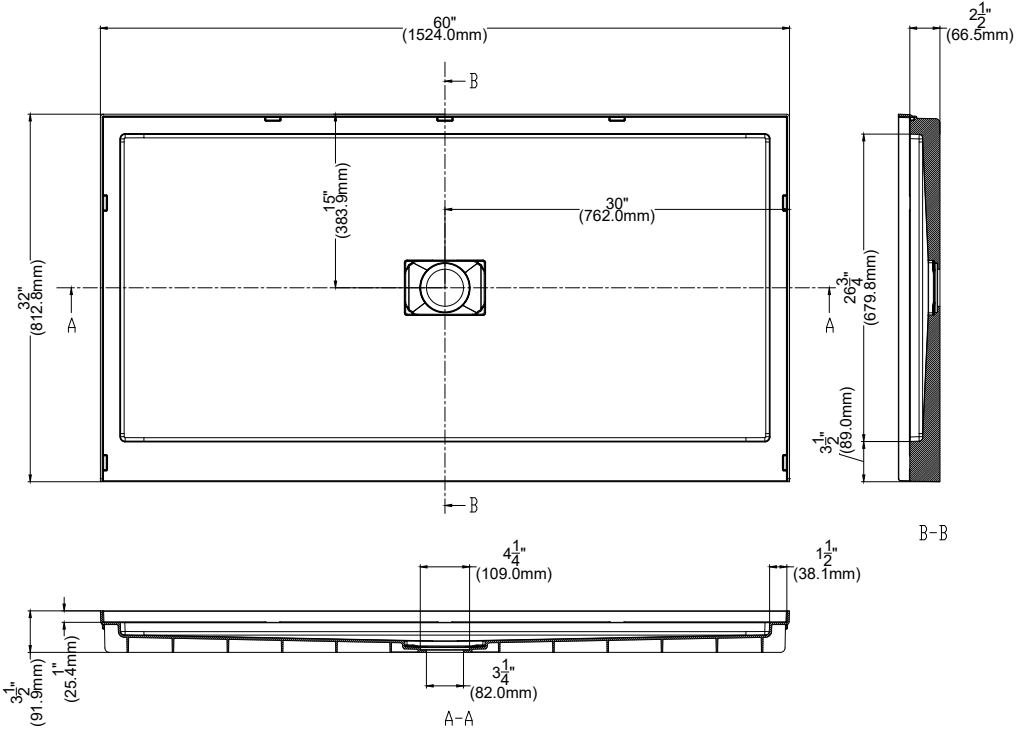
A 48" × 36"



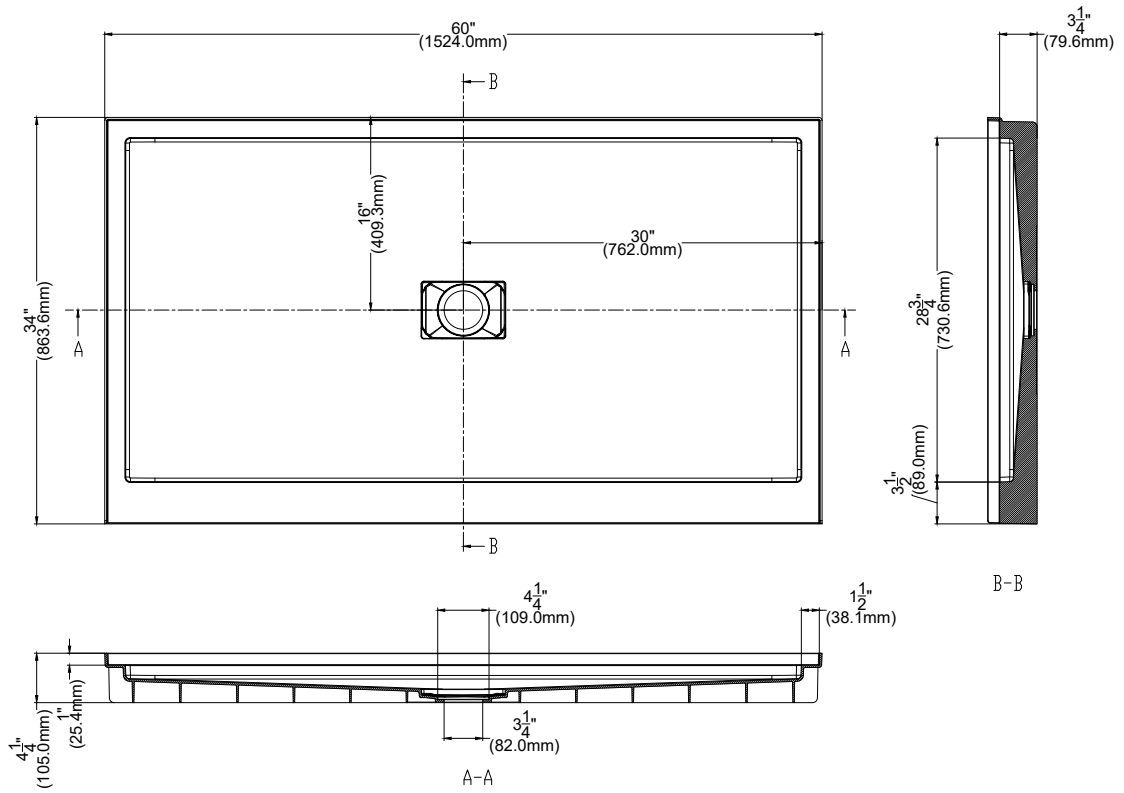
A 60" × 30"



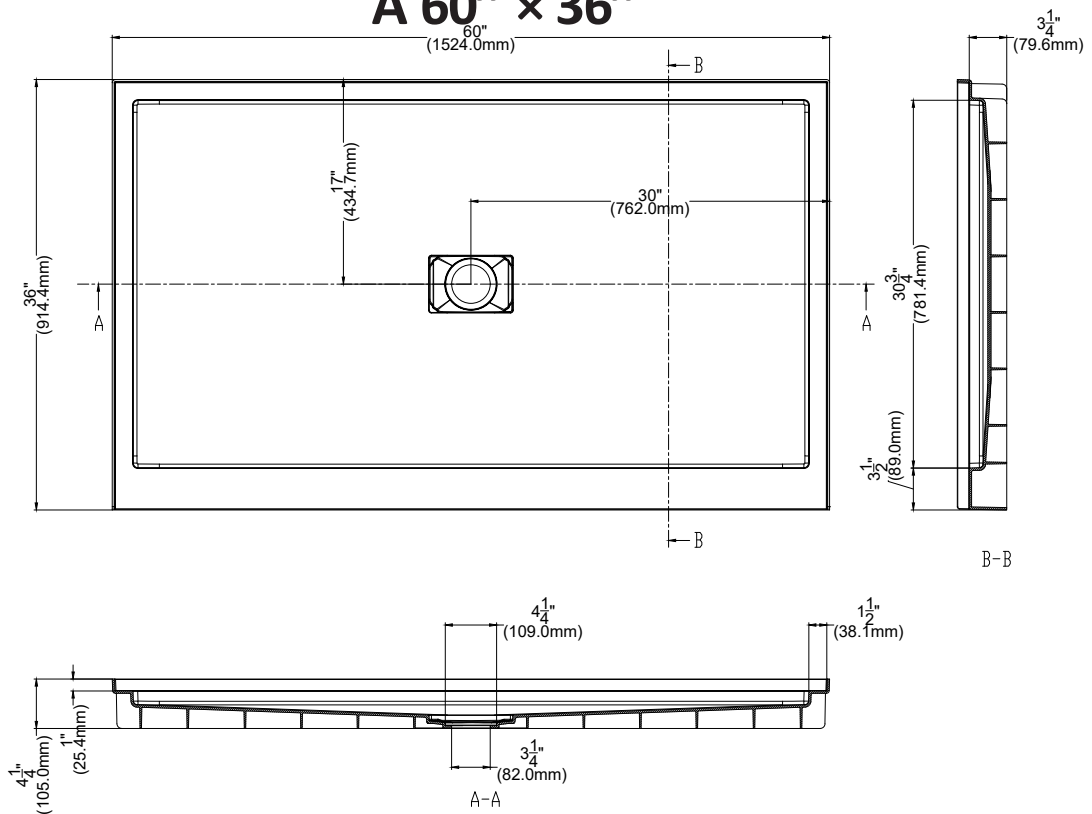
A 60" × 32"



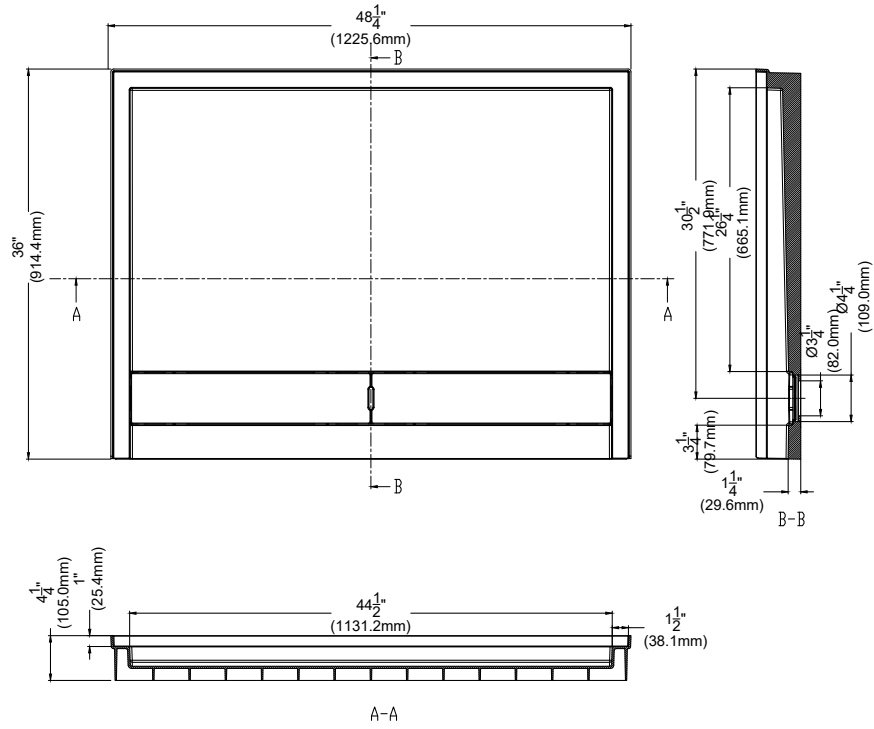
A 60" × 34"



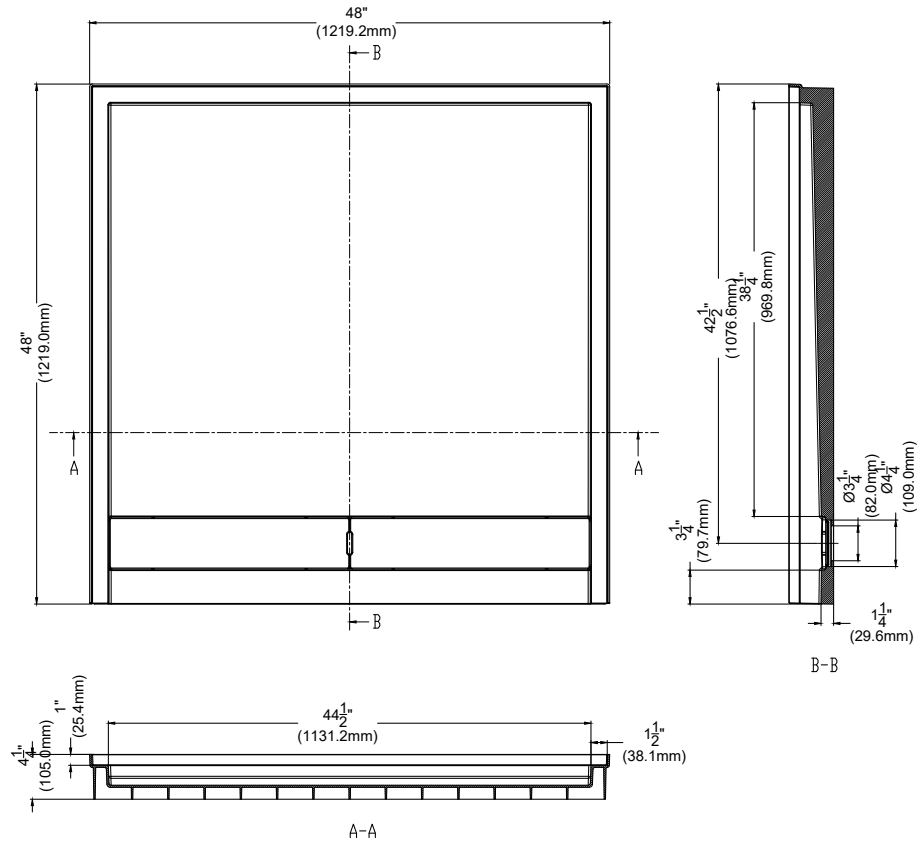
A 60" × 36"



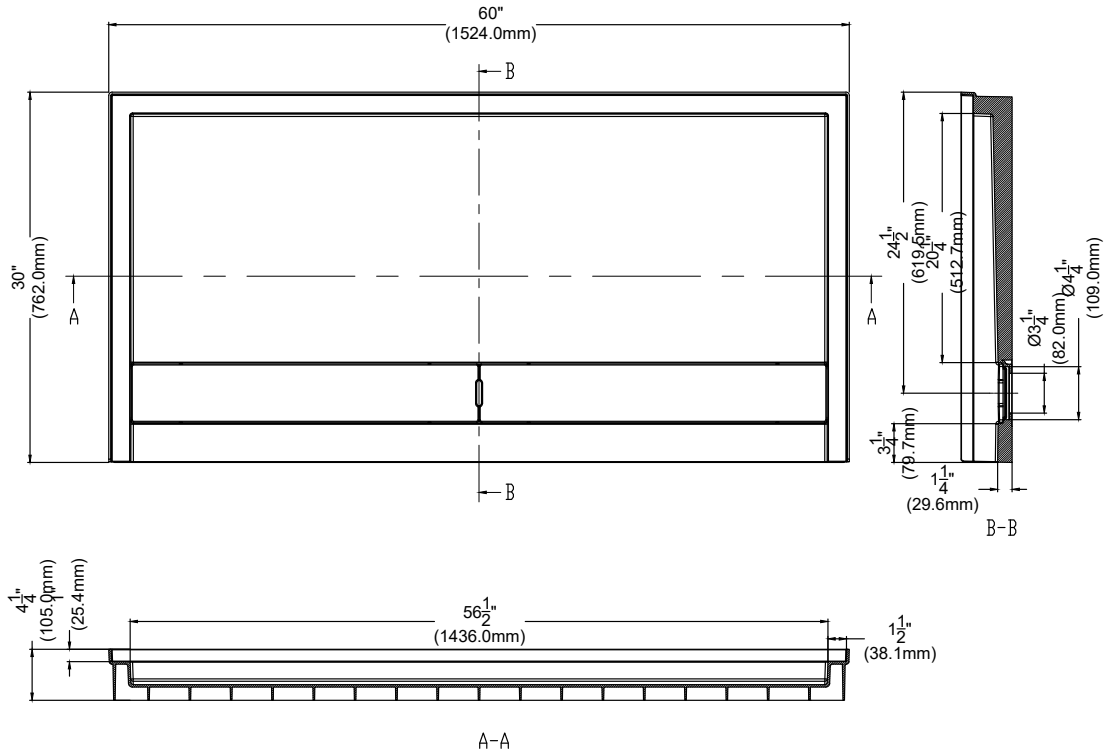
B 48" × 36"



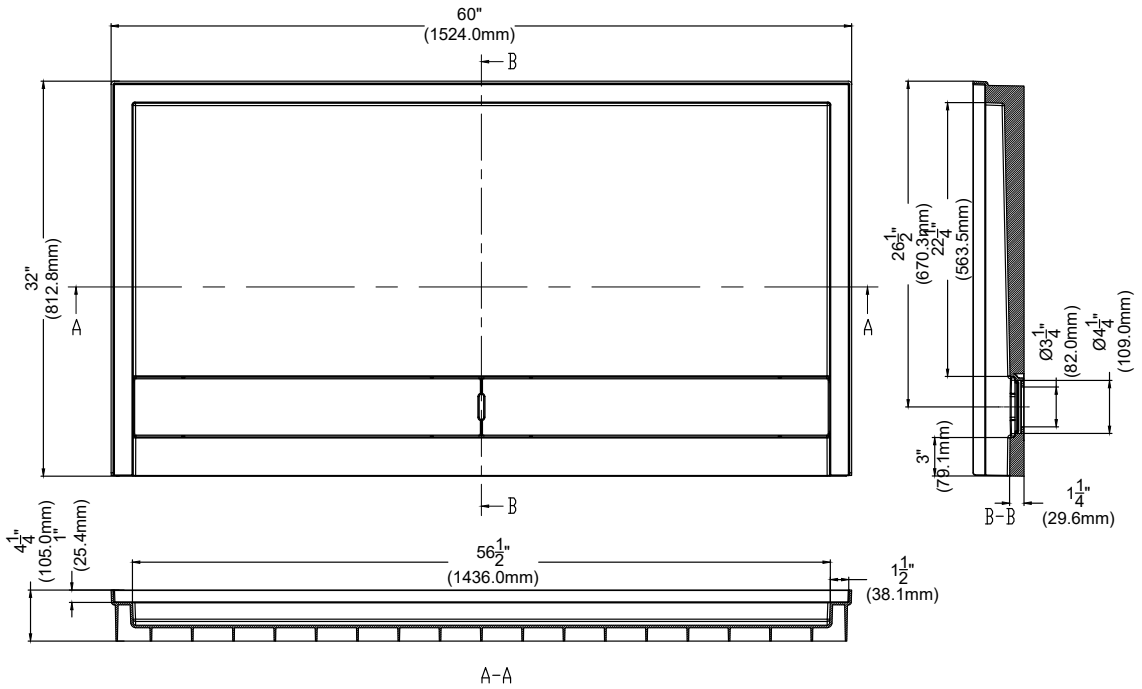
B 48" × 48"



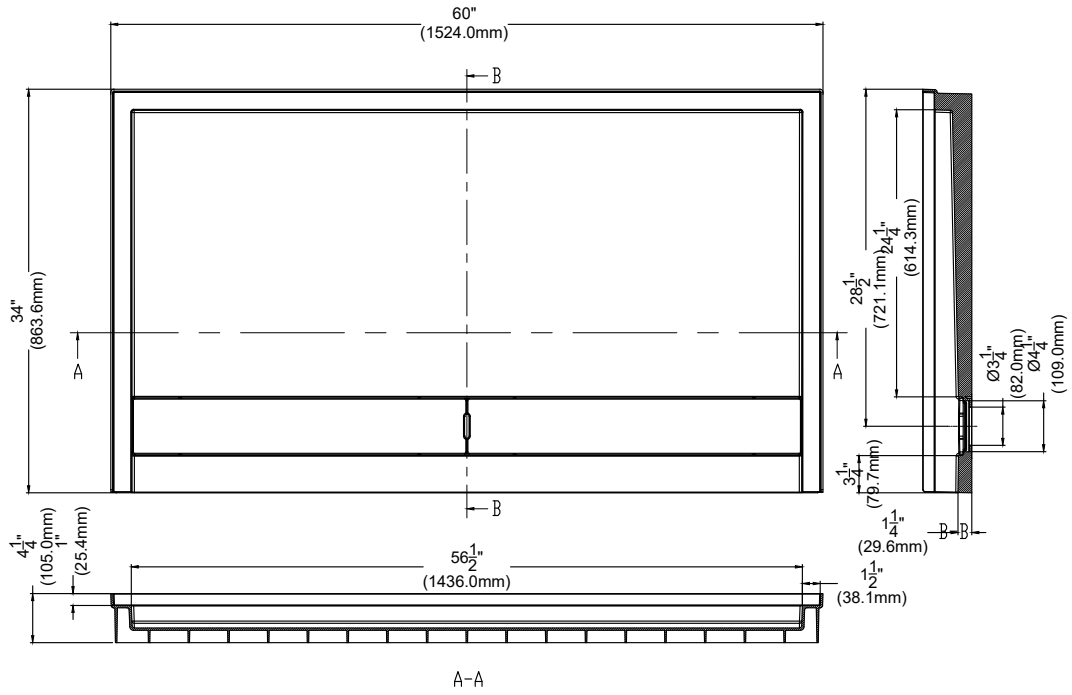
B 60" × 30"



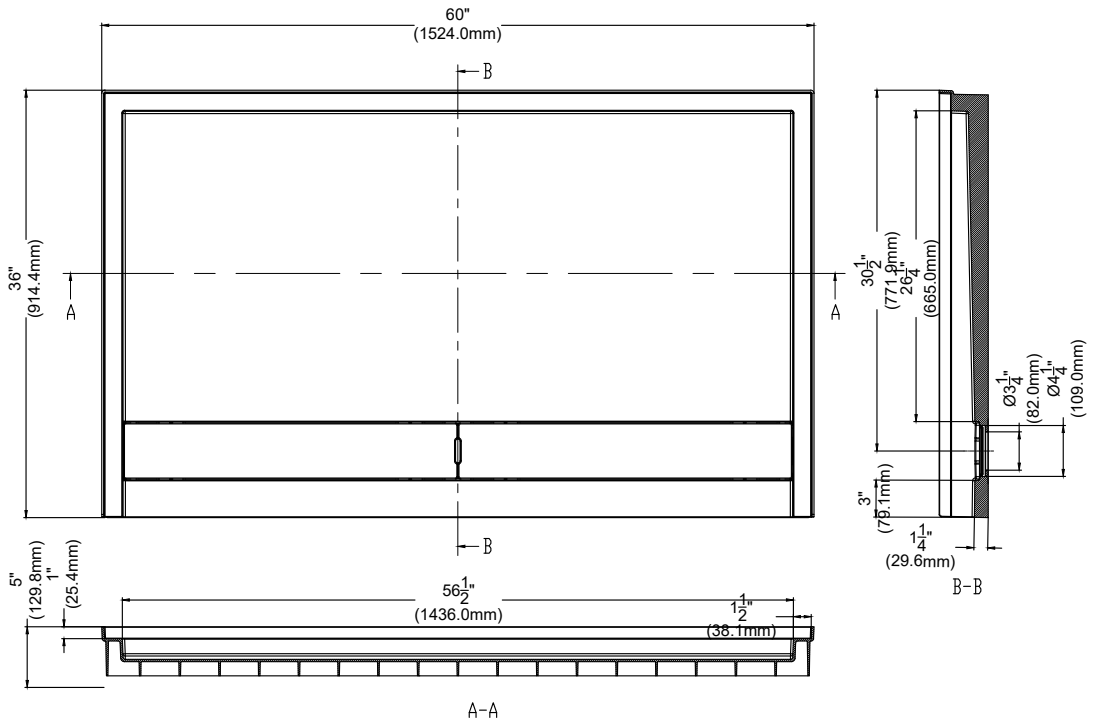
B 60" × 32"



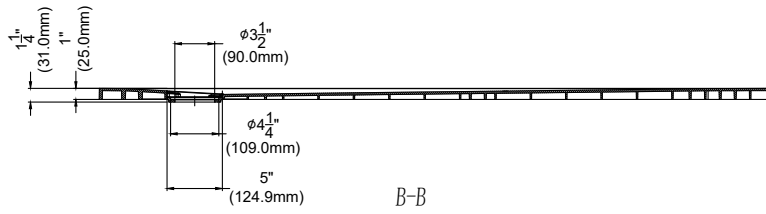
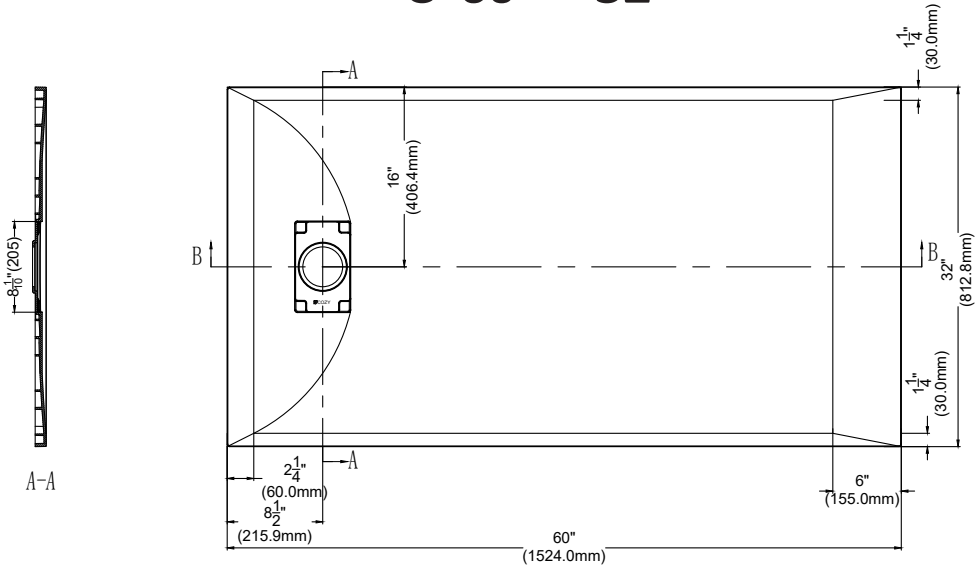
B 60" × 34"



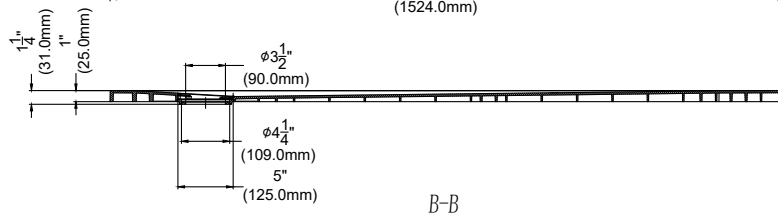
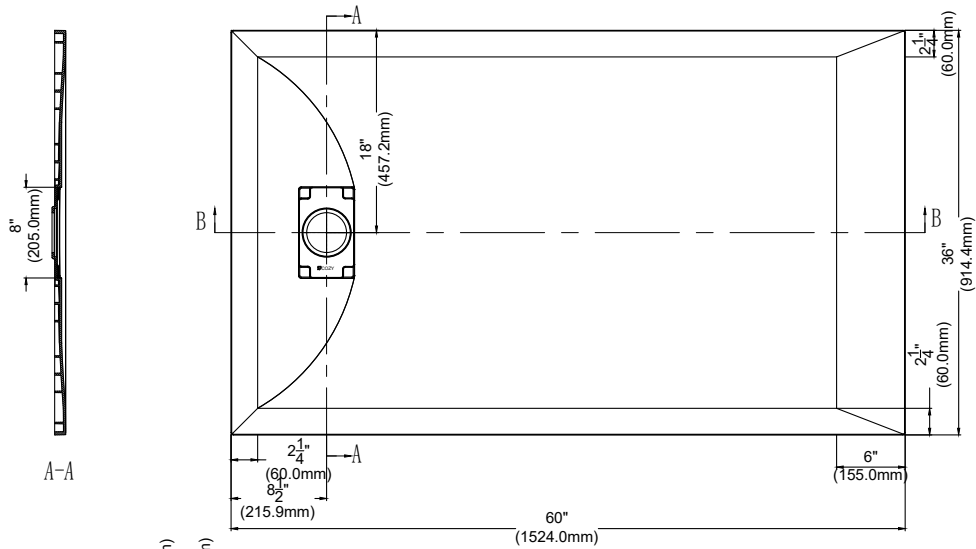
B 60" × 36"



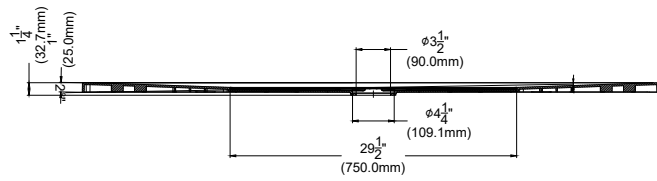
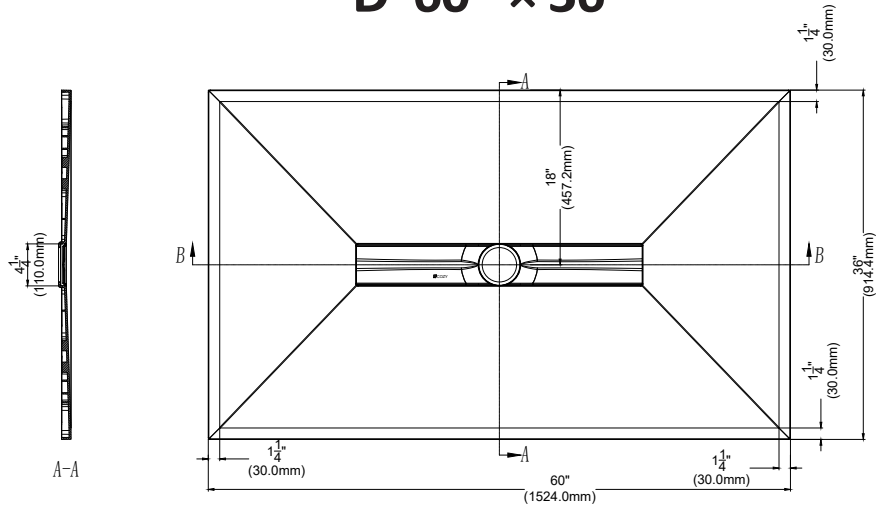
C 60" × 32"



C 60" × 36"

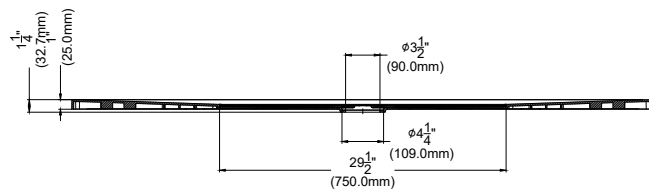
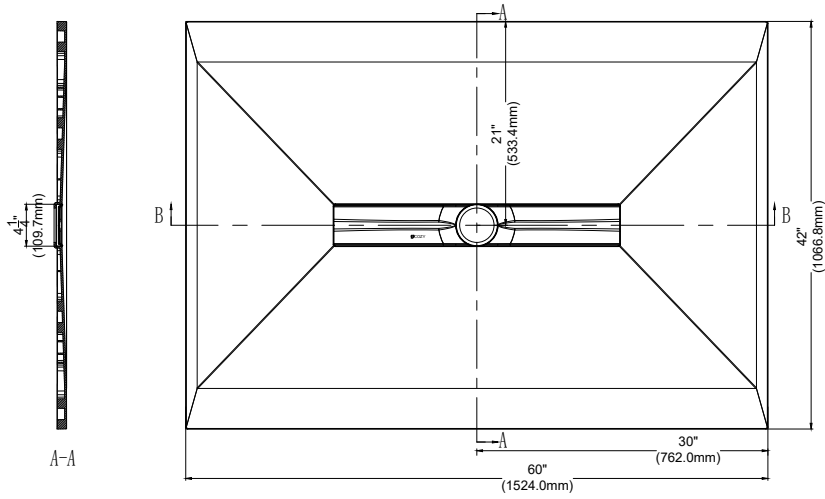


D 60" × 36"



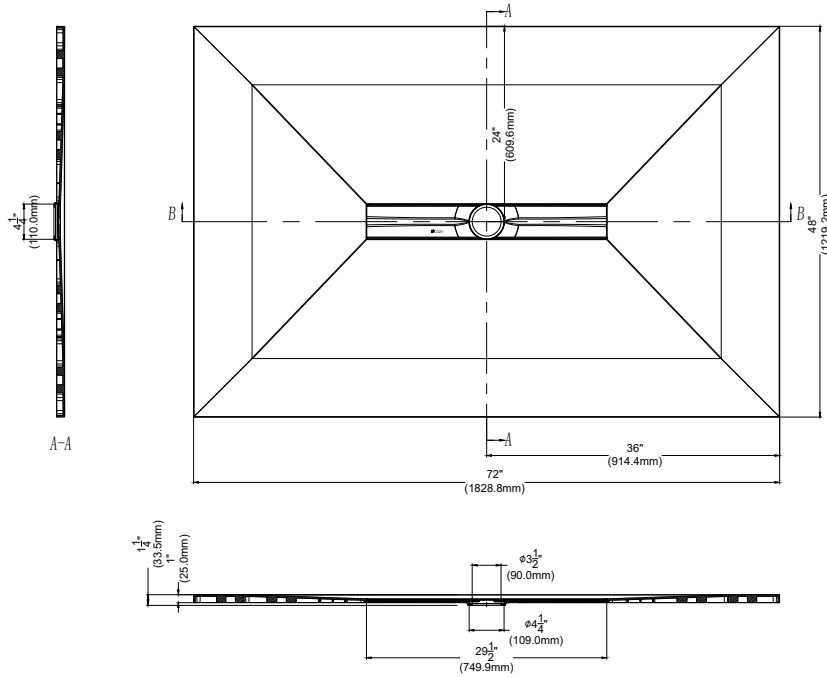
B-B

D 60" × 42"



B-B

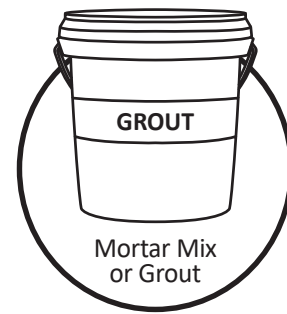
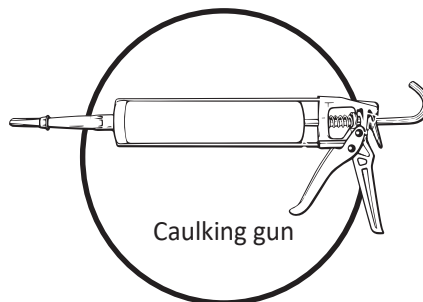
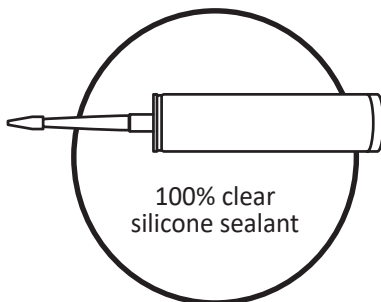
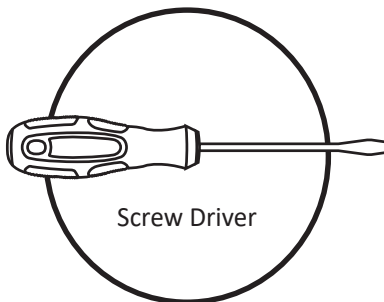
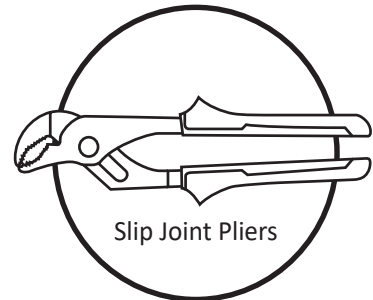
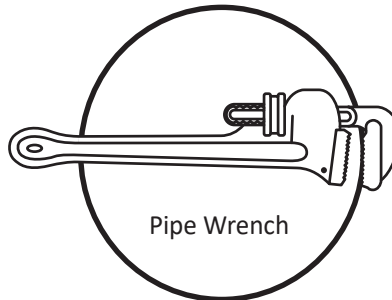
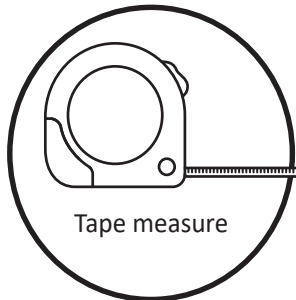
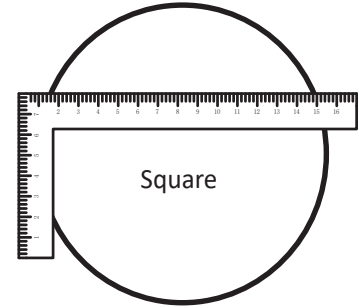
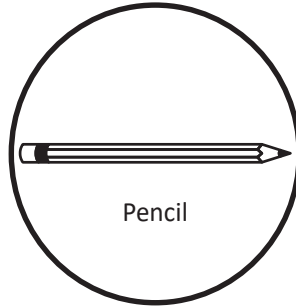
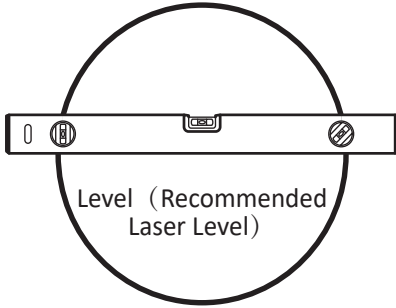
D 72" × 48"



SHOWER BASE DIMENSIONS

Series	Specification	Width	Depth	Height
A	48"×32"(L/R DRAIN)	48"(1219.2mm)	32"(812.8mm)	4-1/4"(105mm)
	48"×36"(L/R DRAIN)	48"(1219.2mm)	36"(914.4mm)	4-1/4"(105mm)
	60"×30"(L/R DRAIN)	60"(1524mm)	30"(762mm)	4-1/4"(105mm)
	60"×32"(L/R DRAIN)	60"(1524mm)	32"(812.8mm)	4-1/4"(105mm)
	60"×34"(L/R DRAIN)	60"(1524mm)	34"(863.6mm)	4-1/4"(105mm)
	60"×36"(L/R DRAIN)	60"(1524mm)	36"(914.4mm)	4-1/4"(105mm)
	36"×36"(CENTER DRAIN)	36"(914.4mm)	36"(914.4mm)	4-1/4"(105mm)
	48"×32"(CENTER DRAIN)	48"(1219.2mm)	32"(812.8mm)	4-1/4"(105mm)
	48"×34"(CENTER DRAIN)	48"(1219.2mm)	34"(863.6mm)	4-1/4"(105mm)
	48"×36"(CENTER DRAIN)	48"(1219.2mm)	36"(914.4mm)	4-1/4"(105mm)
	60"×30"(CENTER DRAIN)	60"(1524mm)	30"(762mm)	4-1/4"(105mm)
	60"×32"(CENTER DRAIN)	60"(1524mm)	32"(812.8mm)	3-5/8"(92mm)
	60"×34"(CENTER DRAIN)	60"(1524mm)	34"(863.6mm)	4-1/4"(105mm)
	60"×36"(CENTER DRAIN)	60"(1524mm)	36"(914.4mm)	4-1/4"(105mm)
B	48"×36"(CENTER DRAIN)	48"(1219.2mm)	36"(914.4mm)	4-1/4"(105mm)
	48"×48"(CENTER DRAIN)	48"(1219.2mm)	48"(1219.2mm)	4-1/4"(105mm)
	60"×30"(CENTER DRAIN)	60"(1524mm)	30"(762mm)	4-1/4"(105mm)
	60"×32"(CENTER DRAIN)	60"(1524mm)	32"(812.8mm)	4-1/4"(105mm)
	60"×34"(CENTER DRAIN)	60"(1524mm)	34"(863.6mm)	4-1/4"(105mm)
	60"×36"(CENTER DRAIN)	60"(1524mm)	36"(914.4mm)	4-1/4"(105mm)
C	60"×32"	60"(1524mm)	32"(812.8mm)	1-1/4"(31mm)
	60"×36"	60"(1524mm)	36"(914.4mm)	1-1/4"(31mm)
D	60"×36"	60"(1524mm)	36"(914.4mm)	1-1/4"(32.7mm)
	60"×42"	60"(1524mm)	42"(1066.8mm)	1-1/4"(32.7mm)
	72"×48"	72"(1828.8mm)	48"(1219.2mm)	1-1/4"(32.7mm)

2. Required Tools



3. SPECIAL NOTE ON SEALANTS! ! !

Please read the following instructions carefully before purchasing sealant. If the incorrect choice of sealant results in serious damage to the wall panel or prevents the installation from proceeding, we will not be responsible for these situations.

<p>Sealant Requirements</p>	<p>① 100% Clear Silicone Sealant</p> <p>② Silicone sealants are commonly used for bathroom applications because they are Waterproof, Flexible, and Resistant to Mold and Mildew. Look for a silicone sealant labeled as "Mildew-resistant" or "For bathroom and kitchen use."</p> <p>③ silicone sealant (sized to fit a standard Caulking Gun)</p>
<p>Recommendation</p>	<div data-bbox="635 987 1390 1133" data-label="Image"> </div> <p>GE Advanced Silicone</p> <div data-bbox="635 1267 1374 1384" data-label="Image"> </div> <p>ASI Clear 100% RTV Silicone Sealant</p> <div data-bbox="635 1536 1366 1664" data-label="Image"> </div> <p>Red Devil 08260I RD PRO Industrial Grade RTV 100% Silicone</p>
<p>Sealant Dosage</p>	<p>You will need one tube of 100% clear silicone sealant (sized to fit a standard caulking gun) for every 1440 square inches or 10 square feet. For an average shower, it's typically recommended to use 4 to 10 tubes. Please follow the application recommendations located in the Panel Installation section of this manual.</p>

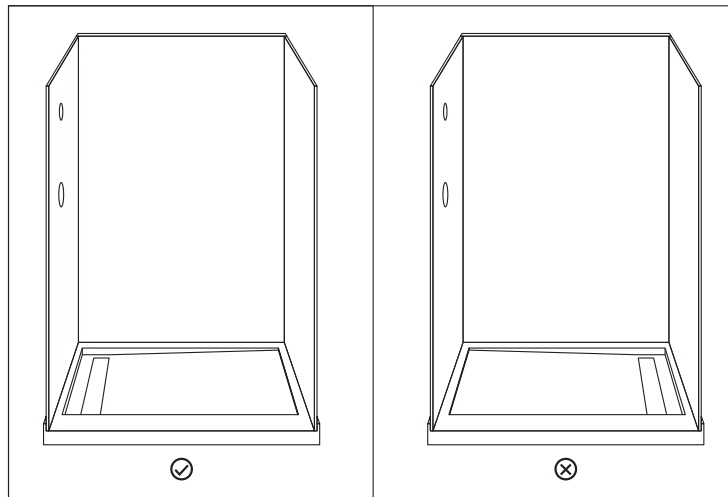
4. Preparation Tips

Preparing the Installation Site:

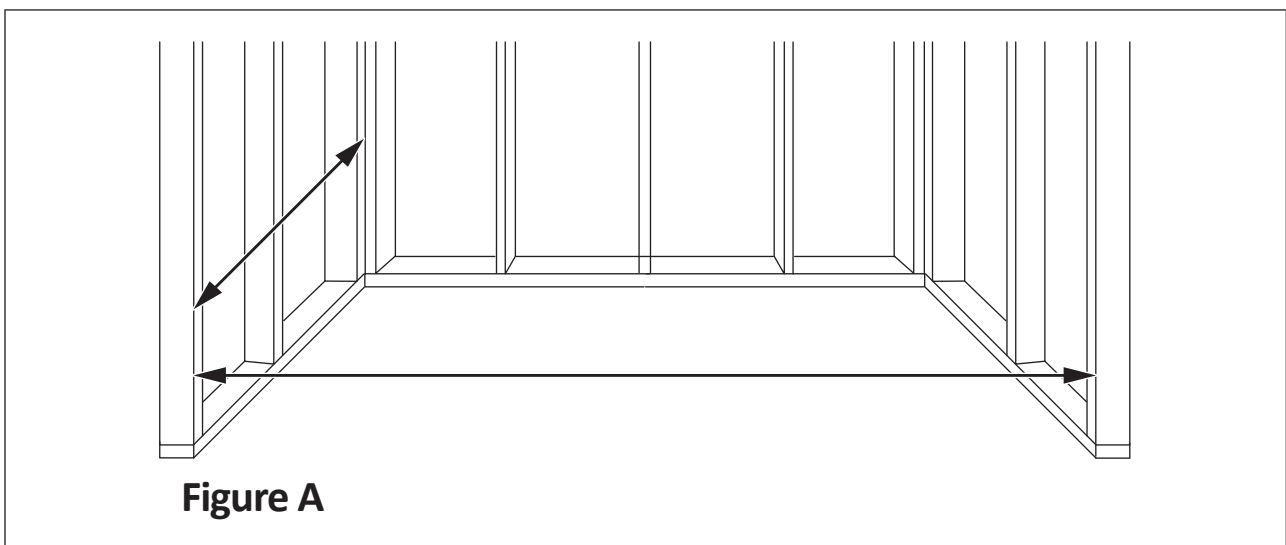
- Open the shower pan and inspect the product for any damage.
- Clean and scrape the floor of the shower pan alcove. This space must be free of any debris in order to achieve proper adhesion with the thin-set mortar.
- Measure the size of the alcove to ensure that the pan and panels fit properly.
- Trial fit the pan in the alcove and make sure that the drain location lines up properly with the shower pan. In a three-wall application, the pan should slide in easily with approximately 1/16" - 1/8" spacing between the studs and the pan. Placing a level on the pan, check that the pan sits levelly on the floor. Finally, lean the pan back or remove it from the alcove.

5. Installing The Pan

Note: If the shower base you purchased has side drainage, for comfort during use and to expedite drainage, place the drain hole on the same side as the shower head.



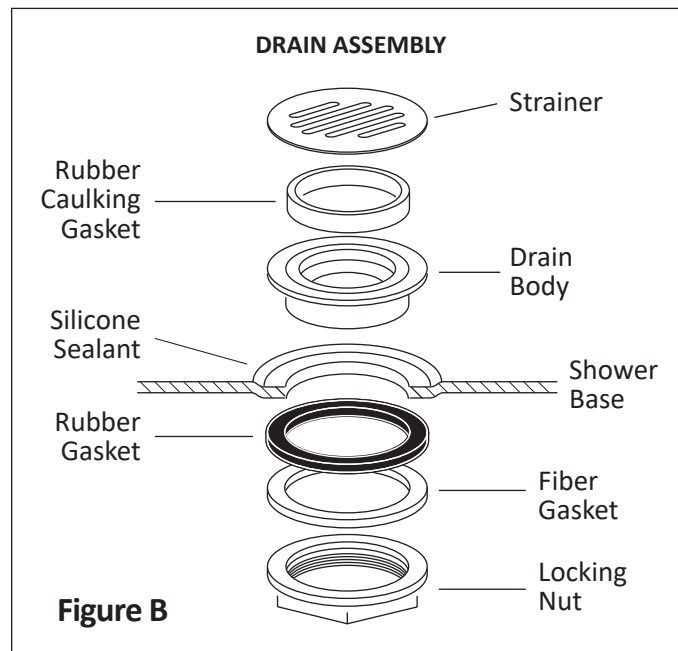
1. For new construction, build a wood or steel stud framework for the shower enclosure. Dry fit the shower floor to ensure the recommended 3/16" gap exists between the shower floor, the side wall studs, and the back wall studs.



2. All of the shower bases require purchasing a round shower strainer type drain for use with a standard 2" (51mm) plastic schedule 40 waste pipe. Figure B shows the typical drain assembly. Before installing the drain into the shower base, remove the strainer (Fig B). This will be installed after the shower base is in its final position. Cut the waste pipe height so that the drain body will fit snugly in the shower base. Apply 100% clear silicone sealant between the drain body and shower base.

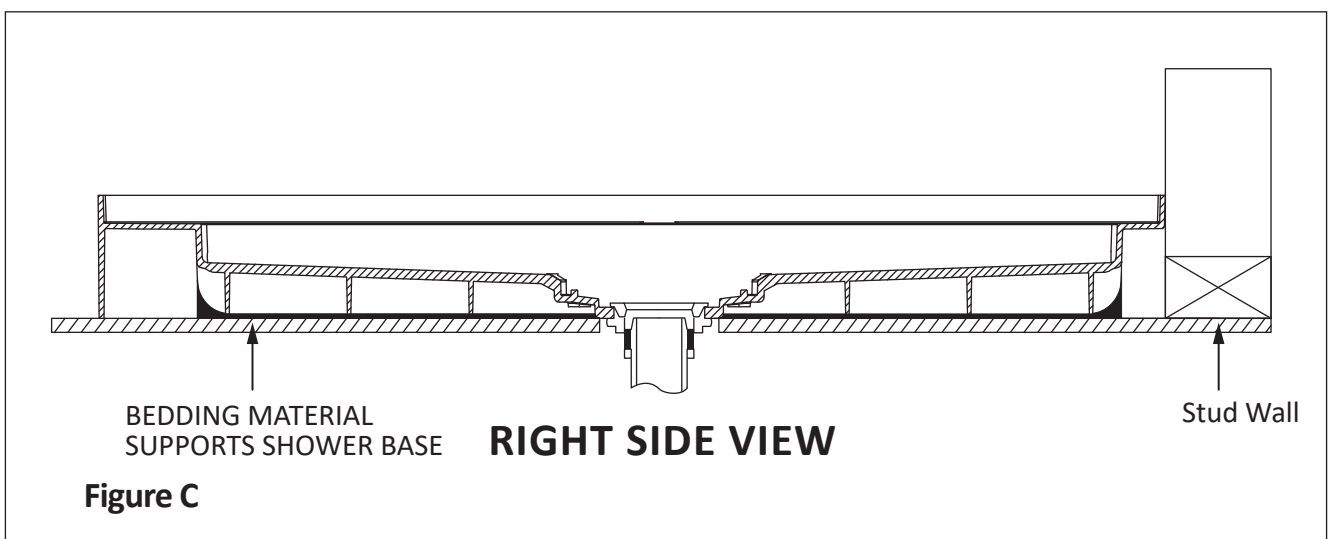
NOTE:

- a. Drain is **NOT** included and must be purchased separately.
- b. Before using 100% clear silicone sealant, make sure that the surfaces of both the shower base and the drain body are clean, dry, and free from oil. Use a caulking gun or a similar tool to evenly apply the silicone sealant to the surfaces where they come into contact. Gently press with your hand to ensure even distribution of the silicone sealant and a tight seal.



3. Mix a non-shrinking bedding material such as **mortar**(made from a mixture of water, sand and Portland cement)and apply enough bedding material to support the entire bottom of the shower base.

Concrete is NOT recommended. The shower base is NOT to be supported by the base flange.



4. After the bedding material has been poured and before it sets, lower the shower base into position with the drain assembly sliding over the waste pipe (Fig. C). Ensure that the shower base makes even contact with the floor and verify that the base is level in two directions, as illustrated in Figure D.

Note: Allow the bedding material to fully harden before placing any weight on the bottom of the shower base. Reinstall the strainer and perform a water test on the drain and plumbing to ensure there are no leaks.

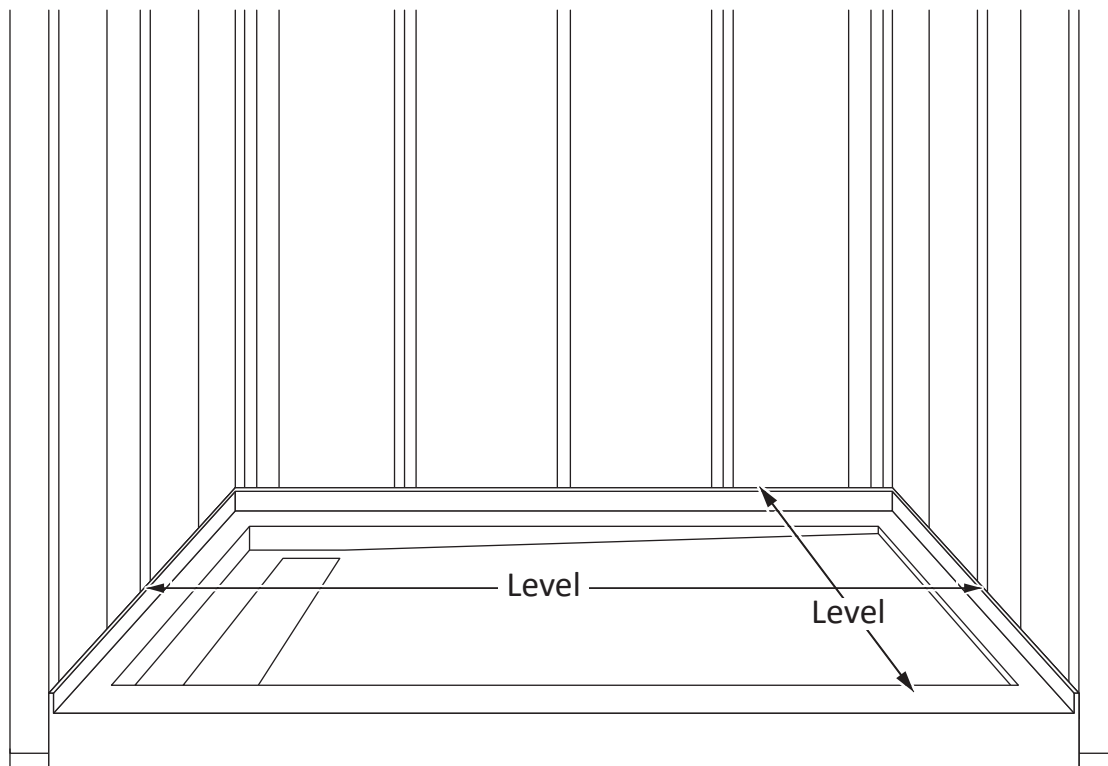


Figure D

6. Cleaning And Maintenance

POST-INSTALLATION CLEAN-UP

Remove all construction debris. Tile grout can be removed using a wooden popsicle stick or tongue depressor. Do not use wire brushes or any other metal implements on the surface.

Post-installation clean-up can generally be completed using warm water and liquid dishwashing detergent. Stubborn dirt or stains may be removed using granular Spic and Span® mixed with water.

Painter's naphtha can be used to remove excess adhesives and/or wet oil-based paint.

AFTERCARE AND CLEANING

WARNING: Cleaning products with labels that say “not suitable for use with acrylic” SHOULD NOT BE USED.

Read all labels carefully.

- Please avoid letting hair dye come into contact with the wall panel. If it accidentally splashes onto the wall panel, clean it as soon as possible to minimize potential damage. Otherwise, the wall panel may fade or discolor and become damaged.
- Excessively hot water may cause surface damage.
- HARSH CHEMICALS SHOULD NEVER BE USED ON THE SHOWER BASE SURFACE. Clean after use with a mild liquid household detergent cleaner. Do not use Lestoil, Lysol Disinfectant (spray or concentrate), or Lysol Basin, Tub and Tile Cleaner, Windex, Mr. Clean, Dow Disinfectant Bathroom Cleaner, or cleaning products in aerosol

cans.

- Do not use wire brushes, knives, or sharp objects to remove stains, cigarette tar deposits, or other surface blemishes.
- Abrasive cleaners or powders must not be used, as they will dull the surface. If the glossy surface loses its sheen, dulled areas or light scratches can be restored by rubbing with a white "automotive type" polishing compound and waxing with a "liquid wax."
- Do not wax areas where you walk or stand.
- Do not allow nail polish remover, acetone, dry cleaning fluid, paint remover, or other solvents to come into contact with the surface.
- Clean the surrounding surface immediately after using caustic drain cleaners.
- Burning cigarettes will damage the surface.
- Should damage to the fixture occur, repairs can be made quickly and easily.

7. Warranty

Shower Base - 10 Years Ltd. Residential / 3 Years Ltd. Commercial.

Fineyou, Div. expressly warrants its products as listed above to be free of defects in material and workmanship, subject to the limitations set forth in this Limited Warranty. Each product will function for the purpose for which it was designed for the time period designated above from the date of purchase by the original buyer, provided it has been installed in accordance with the installation instructions provided by Fineyou, Div., used as recommended, and not damaged due to excessive heat or abuse.

This warranty does not cover replacements and/or corrections caused by misuse, improper maintenance, or normal wear and tear, acts of nature, scratches, chips, or damage caused by the failure of any adhesive, caulk, or other accessory, or failure of any caulked or filled joint or seam. This Limited Warranty covers the product for normal interior use and does not cover the product if moved from its original place of installation. Labor charges incurred during any installations are not included under this Limited Warranty.

Fineyou, Div. will, at its discretion, repair, replace, or refund the purchase price of the product to the original purchaser if a Fineyou, Div. product fails due to a Fineyou, Div. manufacturing defect discovered during the warranted years listed above after the initial purchase. Replacements and/or corrections are at the sole discretion of Fineyou, Div. and will be limited in scope to a reasonable and equitable remedy.

Fineyou will ship products repaired or replaced under this Warranty (freight collect).

Residential Limited Warranty

The warranty applies only to the original purchaser and installation of Fineyou® products in residential applications. It does not apply to commercial applications.

Commercial Limited Warranty

The warranty applies only to the original purchaser and installation of Fineyou® products in commercial applications.