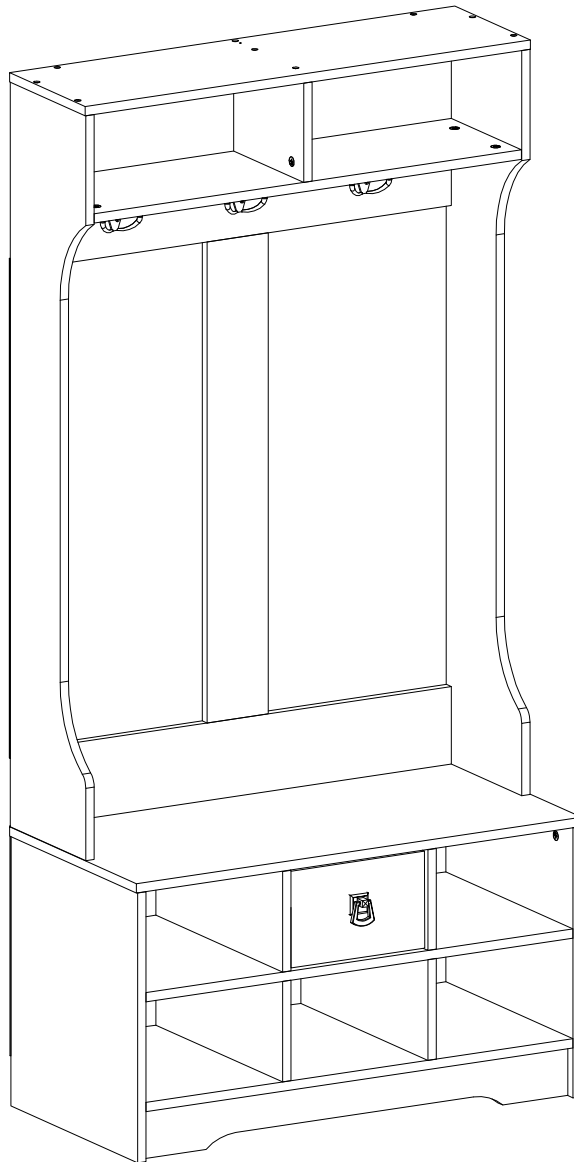


ASSEMBLY INSTRUCTIONS

Important Safety Instructions:

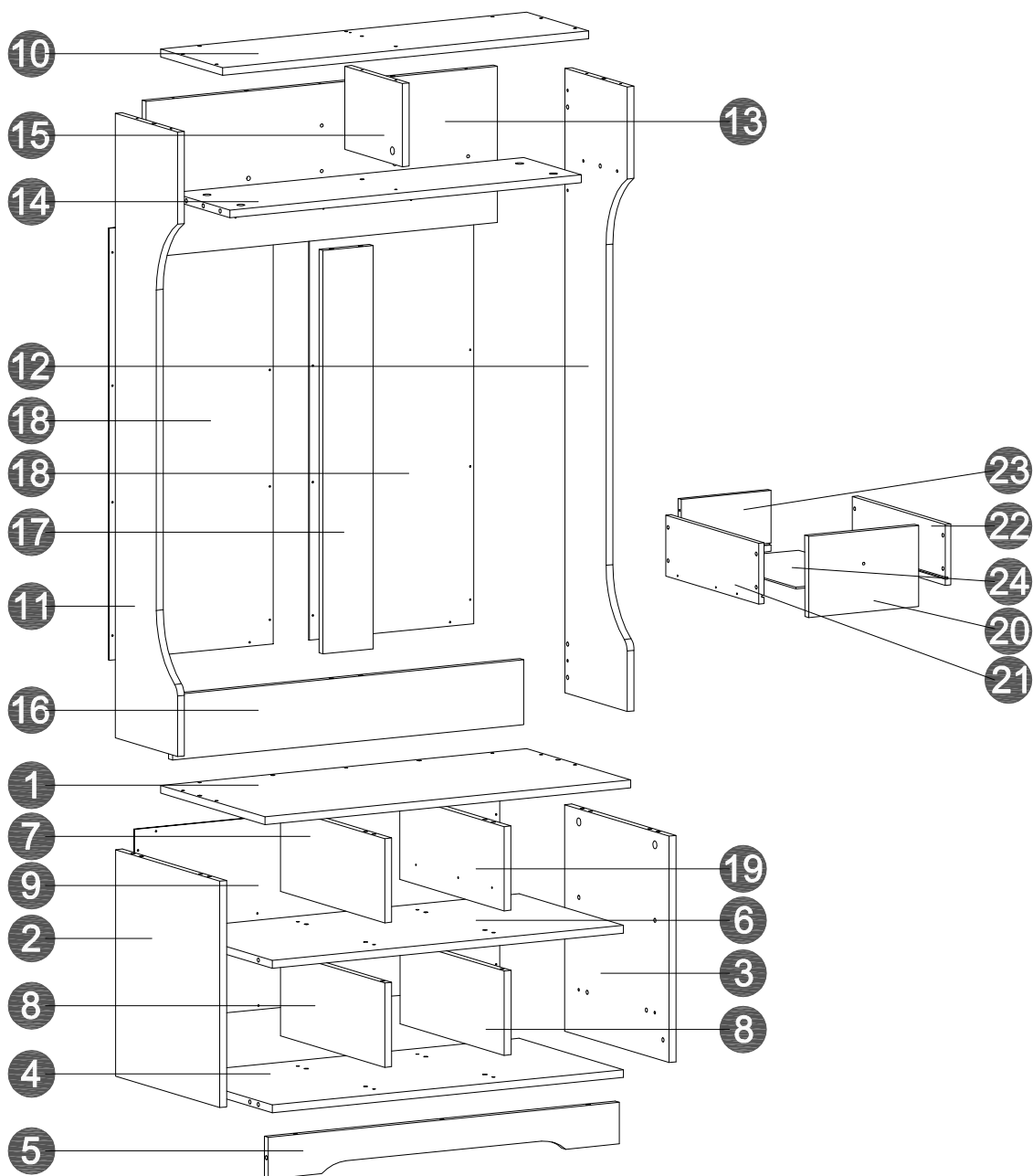
- Please read all instructions before beginning assembly
- Please make sure receive all the parcels to start the assembly
- For your safety and convenience, assembly by two people is recommended
- Use the parts and hardware lists to identify and separate each of the components included
- Save all packing materials until assembly is completed to avoid the accidental discarding of smaller parts or hardware



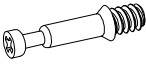



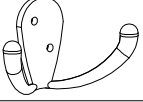
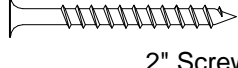
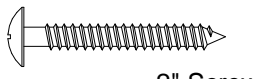
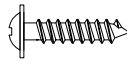
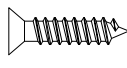
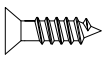
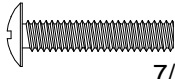

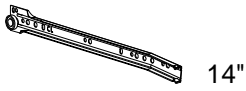
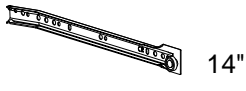
THANK YOU FOR PURCHASING

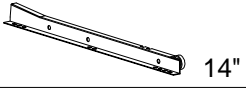
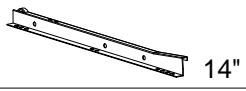
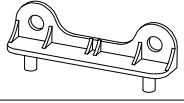
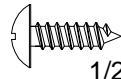
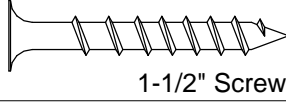
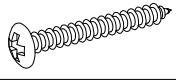
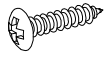
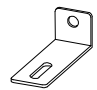
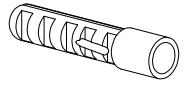
PARTS LIST

① X1	② X1	③ X1	④ X1	⑤ X1
⑥ X1	⑦ X1	⑧ X2	⑨ X1	⑩ X1
⑪ X1	⑫ X1	⑬ X1	⑭ X1	⑮ X1
⑯ X1	⑰ X1	⑱ X2	⑲ X1	⑳ X1
㉑ X1	㉒ X1	㉓ X1	㉔ X1	



HARDWARE LIST

Name	Part	Qty.	Spare
A		23	1
B		23	1
C		54	2
D		4	
E		3	
F	 2" Screw	21	1
G	 2" Screw	7	
H	 5/8" Screw	38	2
I	 5/8" Screw	6	1
J	 1/2" Screw	12	2
K	 7/8" Bolt	1	1
L		1	
M		1	
N		1	

Name	Part	Qty.	Spare
O		1	
P		1	
Q		2	
R	 1/2" Screw	4	
S	 1-1/2" Screw	4	
U1		1	
U2		5	
U3		1	
U4		1	

STEP 1

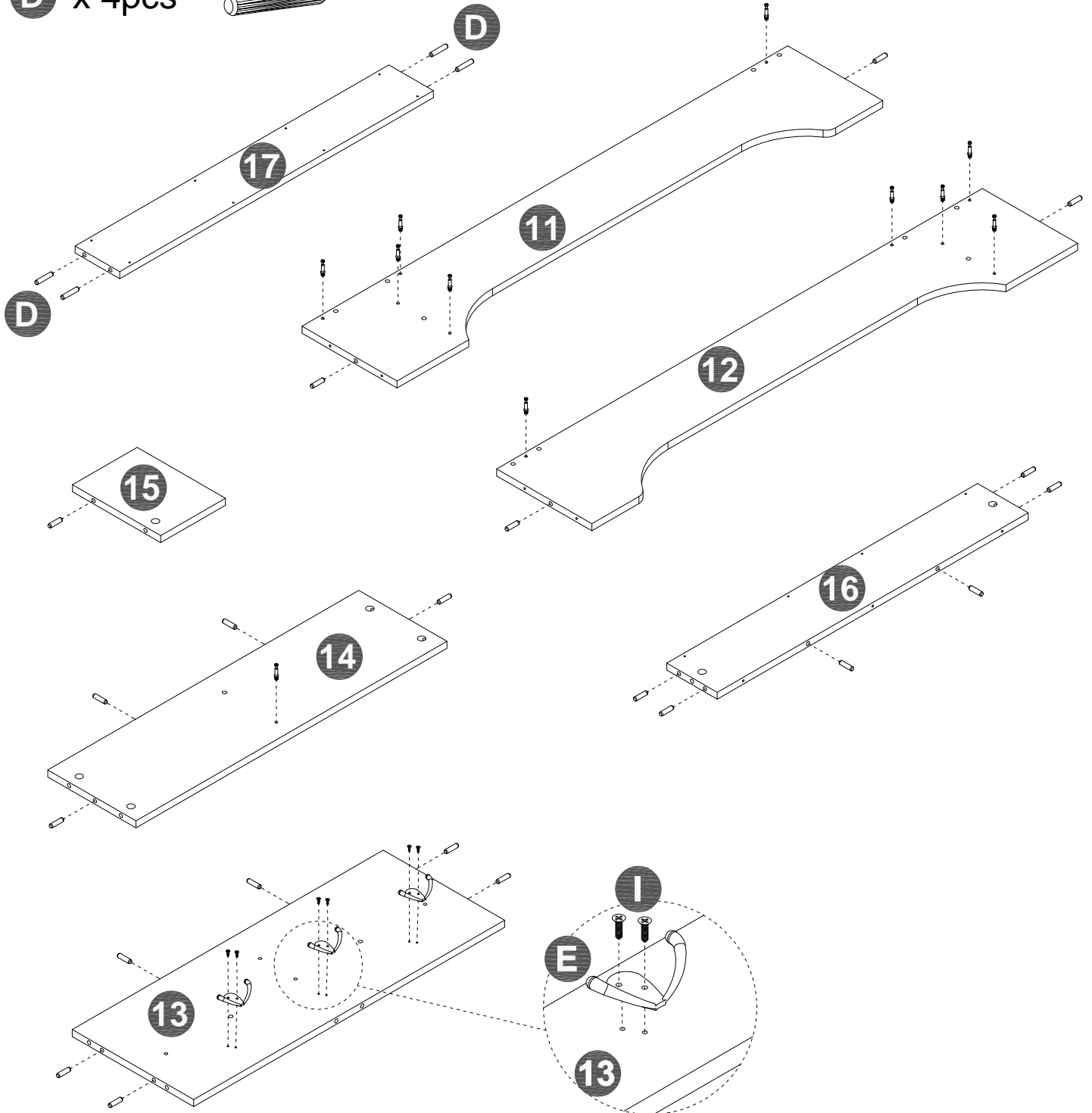
A x 11pcs 

C x 21pcs 

D x 4pcs 

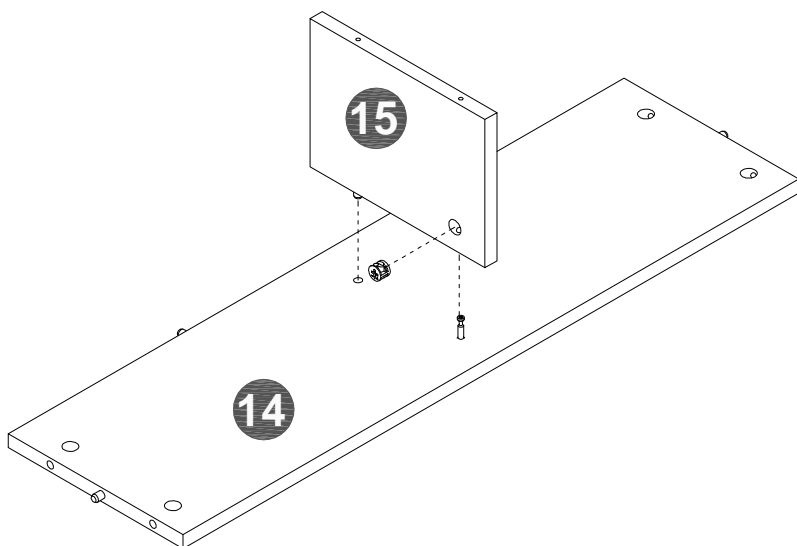
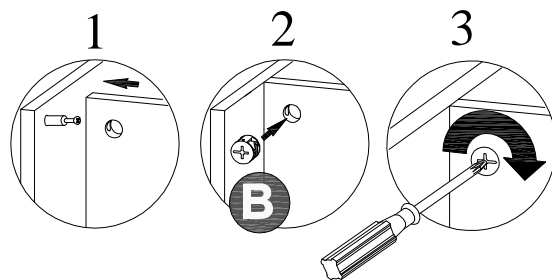
E x 3pcs 

I x 6pcs 



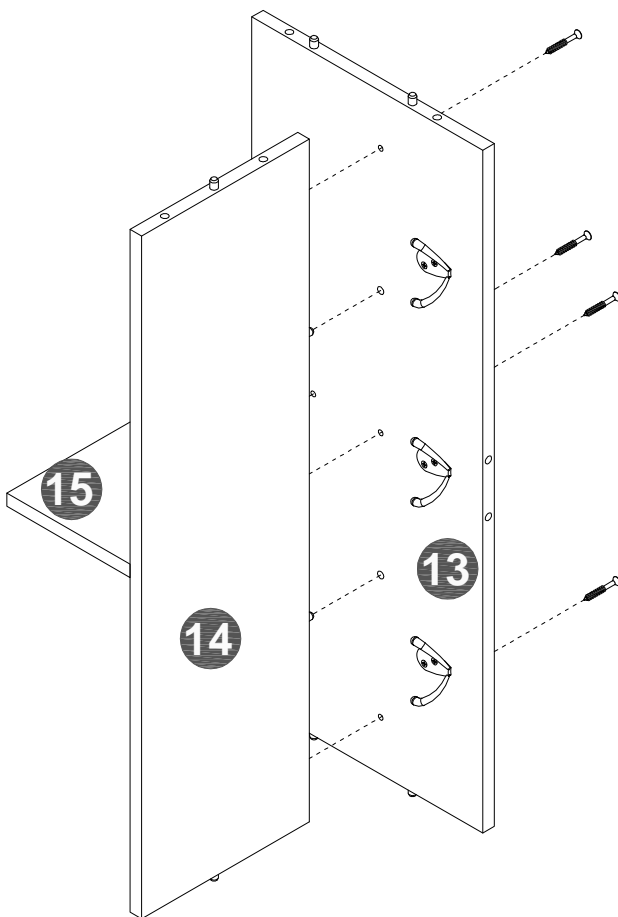
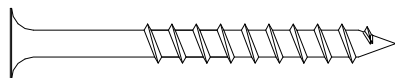
STEP 2

B x 1pc



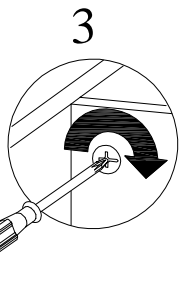
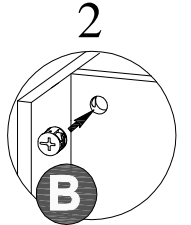
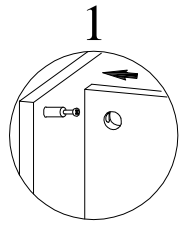
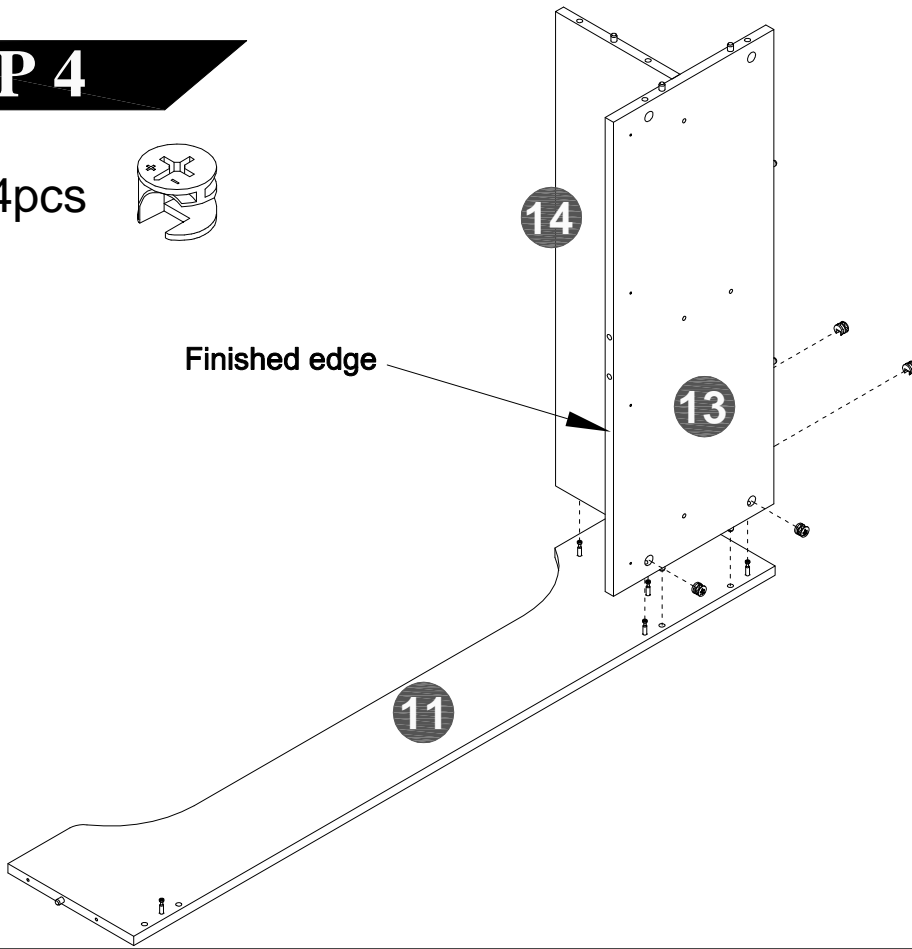
STEP 3

F x 4pcs



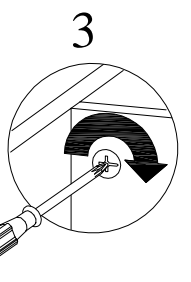
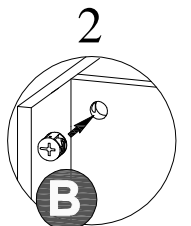
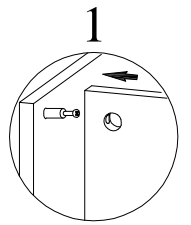
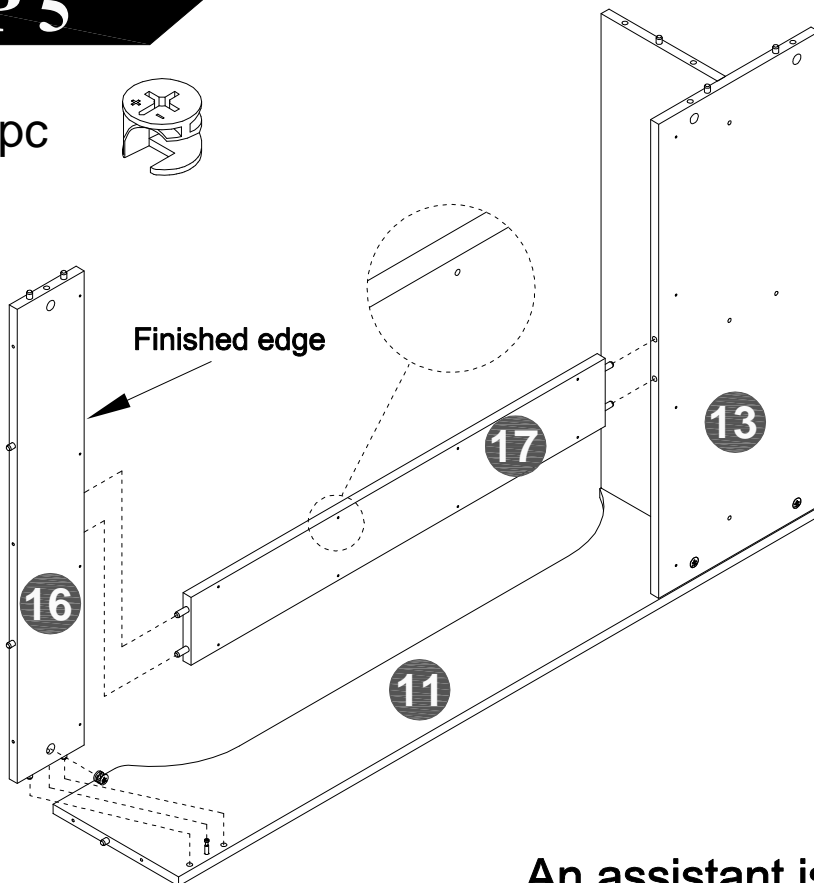
STEP 4

B x 4pcs



STEP 5

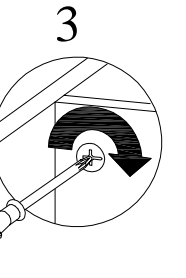
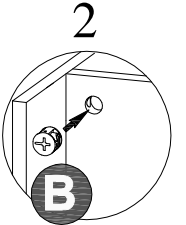
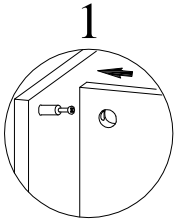
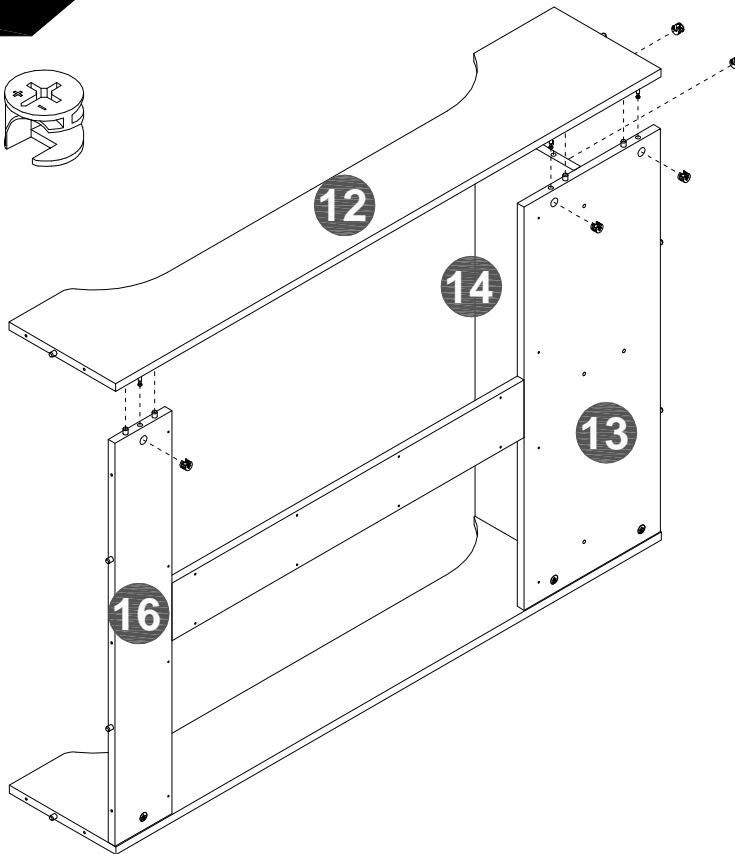
B x 1pc



An assistant is required.

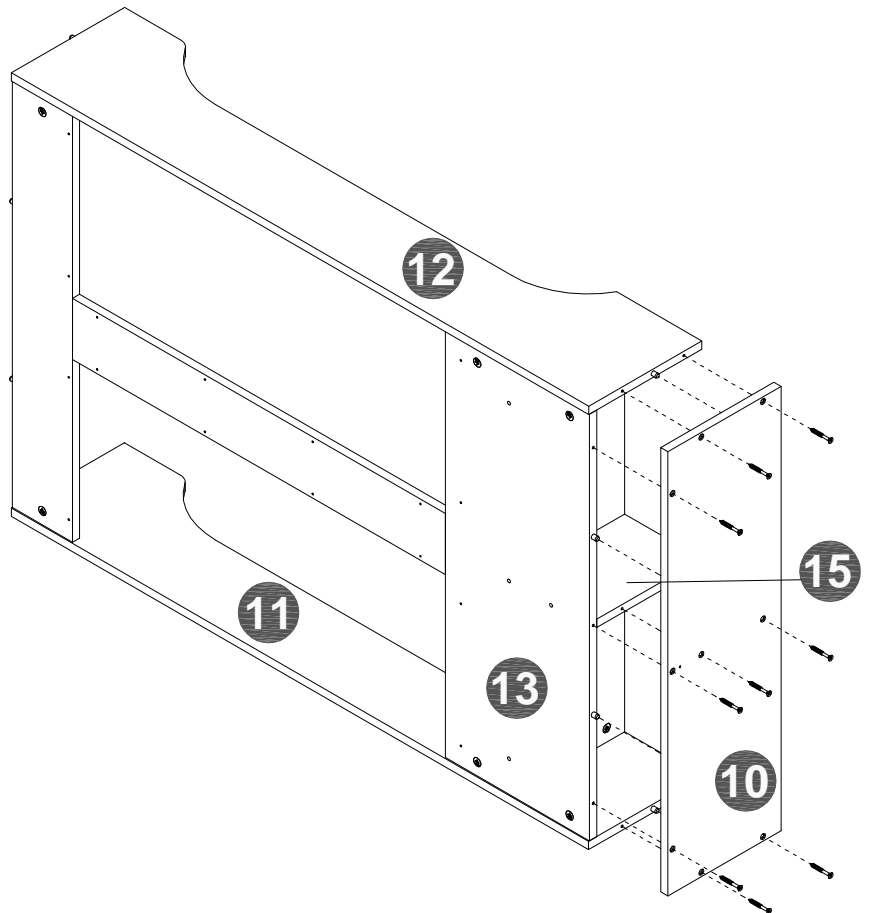
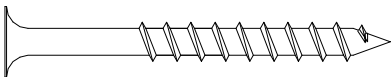
STEP 6

B x 5pcs



STEP 7

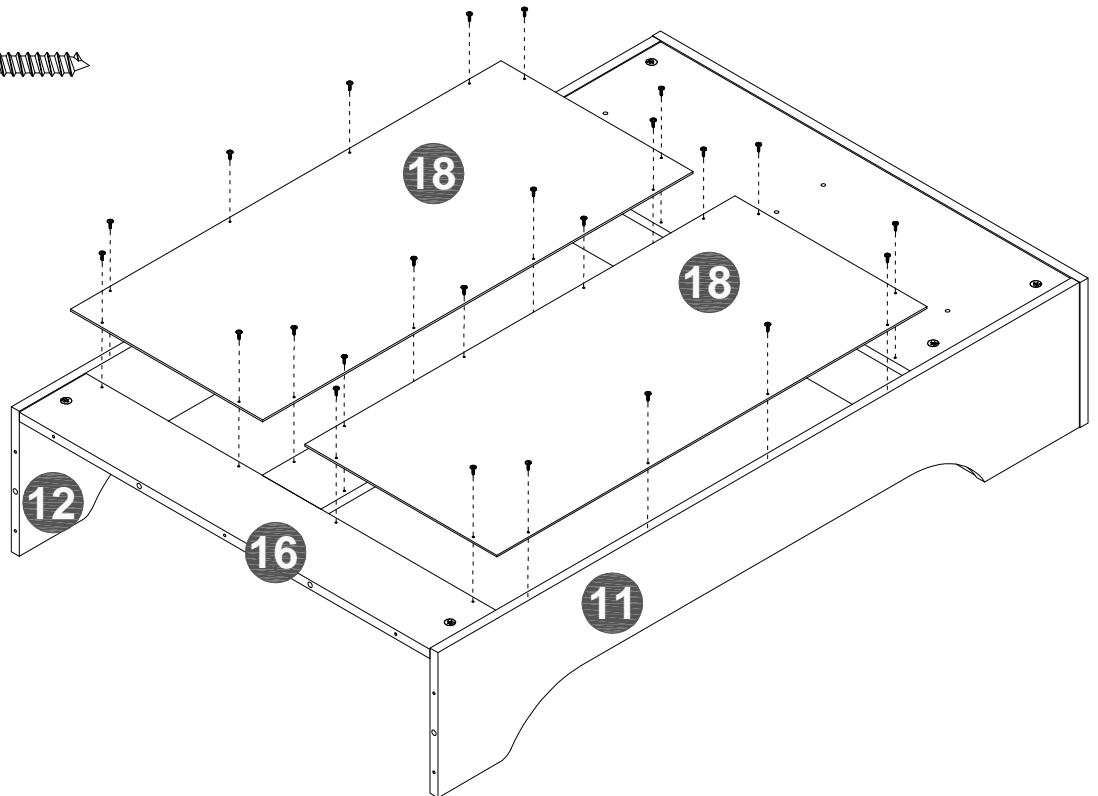
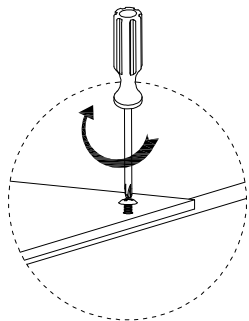
F x 9pcs



STEP 8

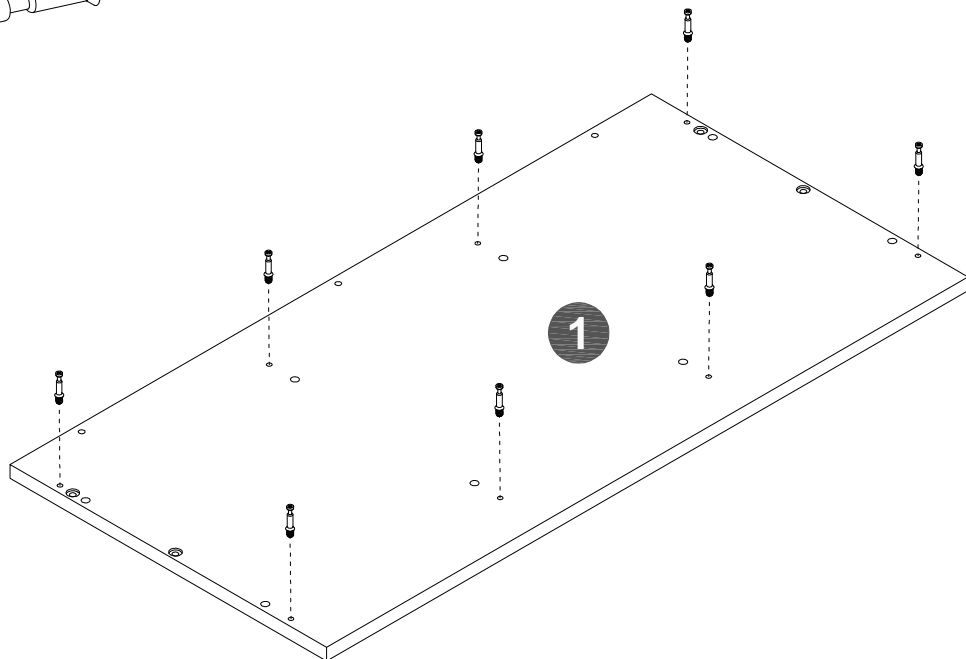
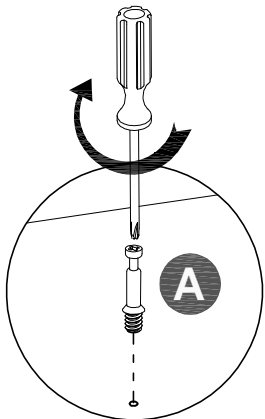
With assistant carefully flip unit over.

H x 24pcs 



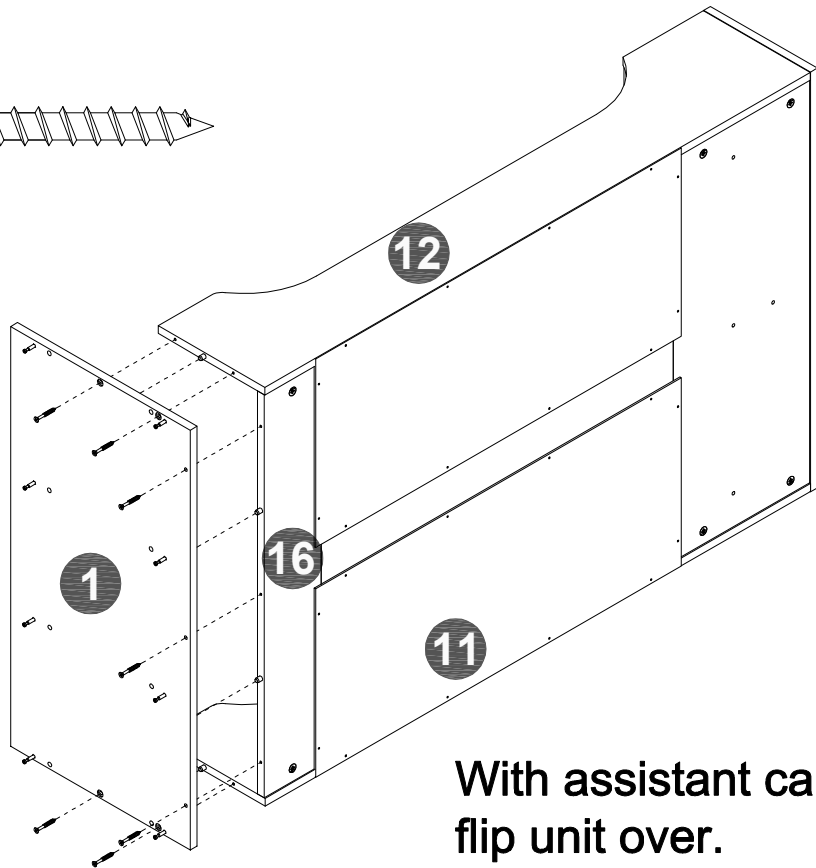
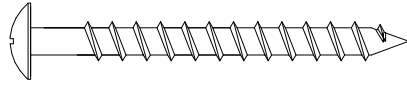
STEP 9

A x 8pcs 



STEP 10

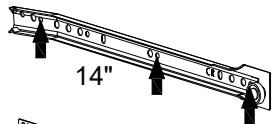
G x 7pcs



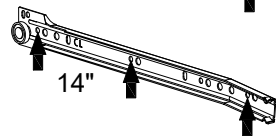
With assistant carefully flip unit over.

STEP 11

N x 1pc



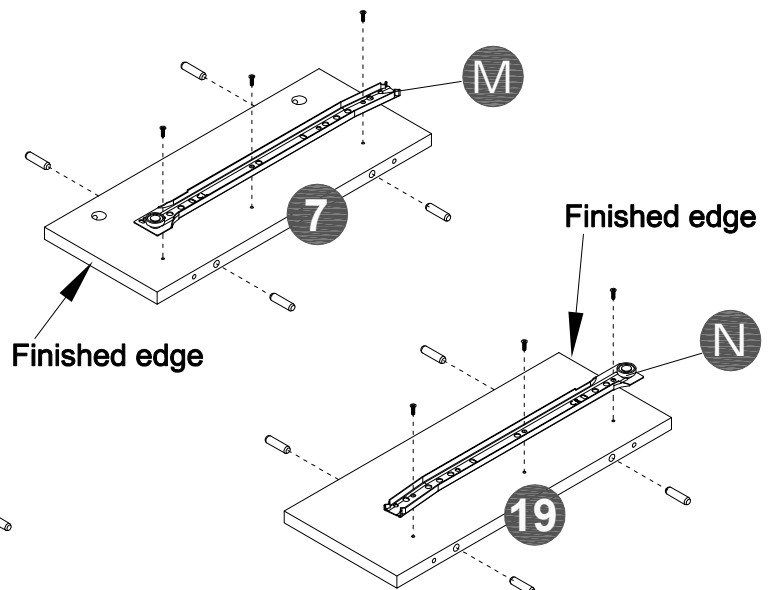
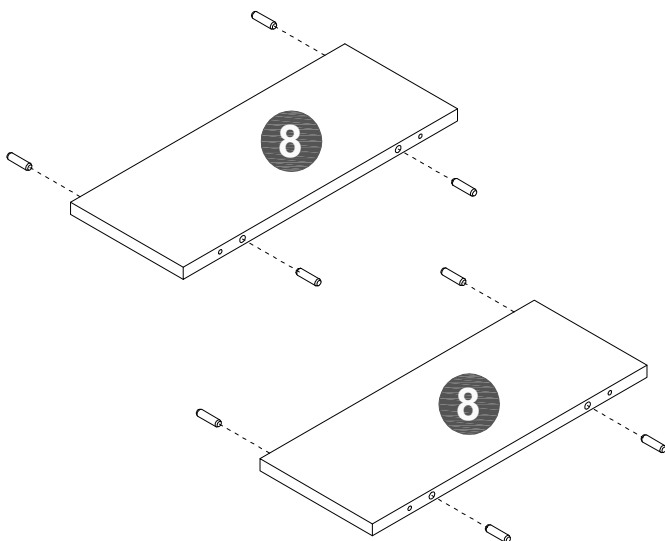
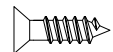
M x 1pc



C x 16pcs



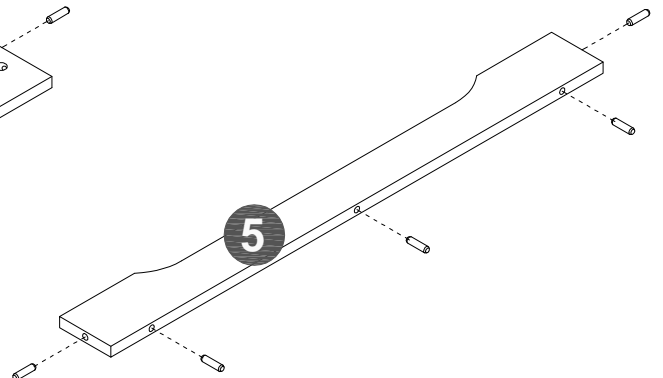
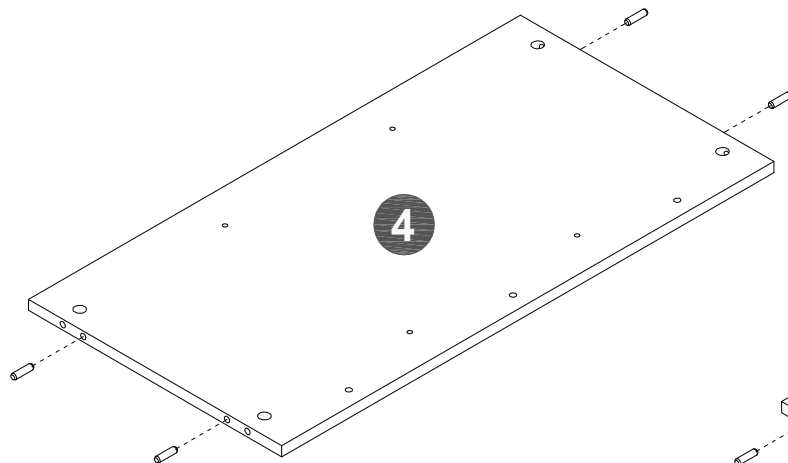
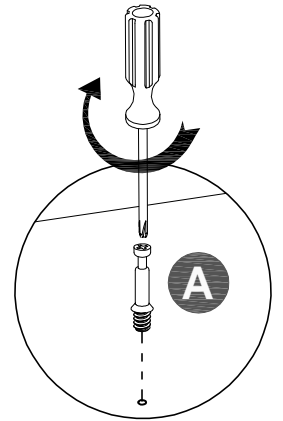
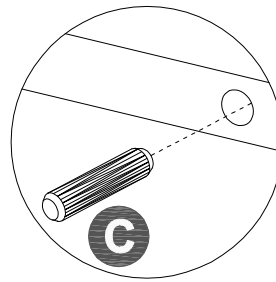
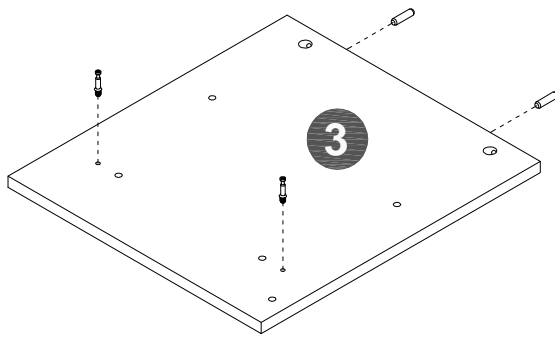
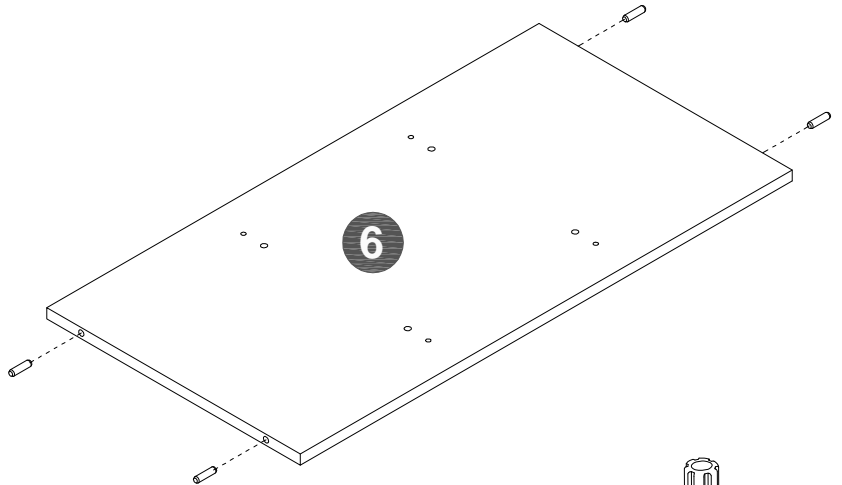
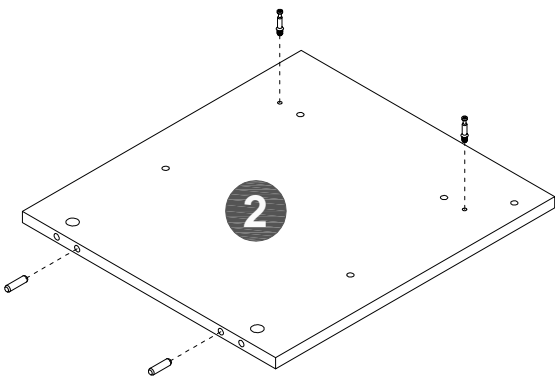
J x 6pcs



STEP 12

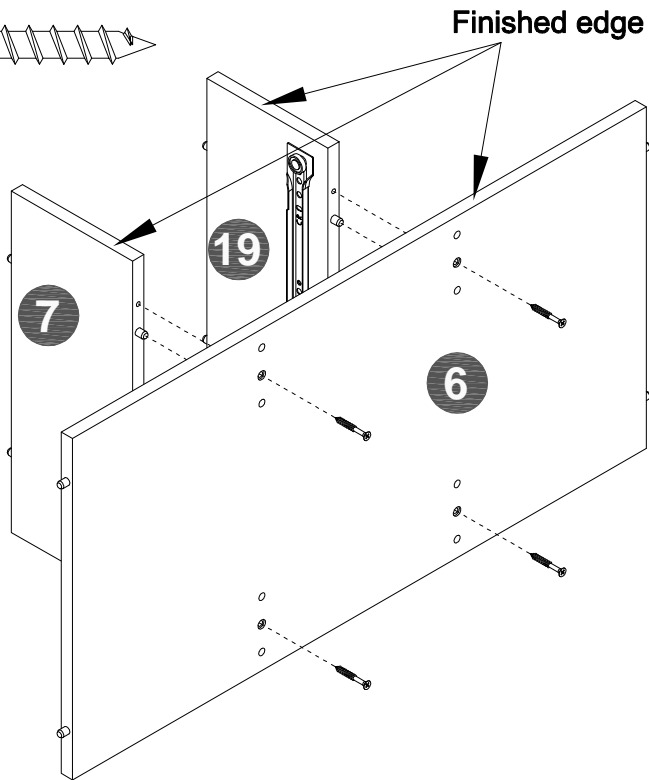
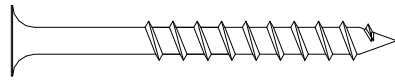
A x 4pcs 

C x 17pcs 



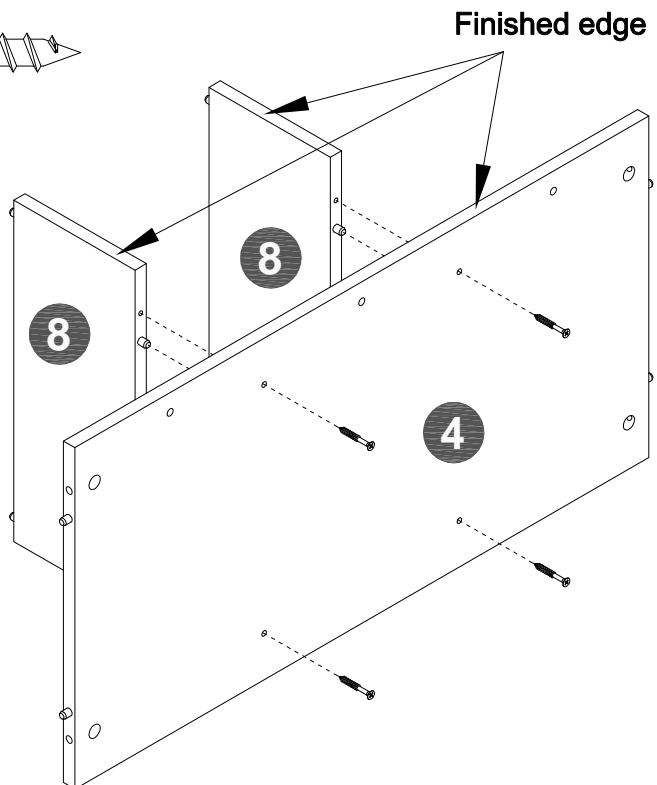
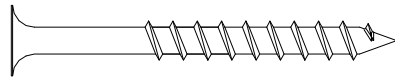
STEP 13

F x 4pcs

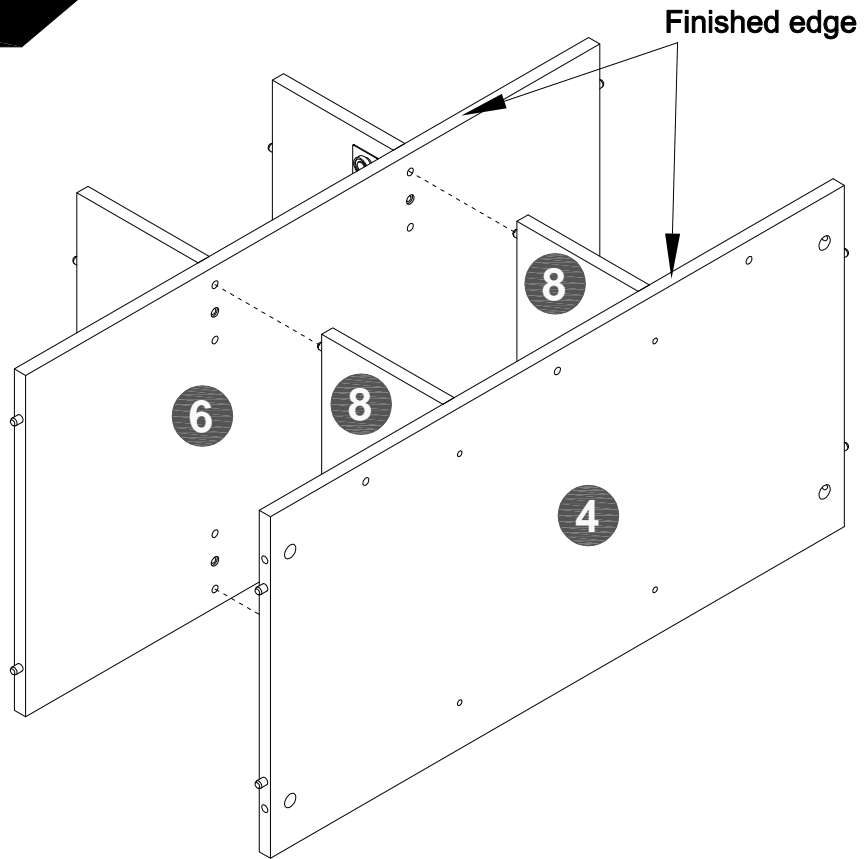


STEP 14

F x 4pcs

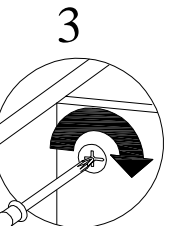
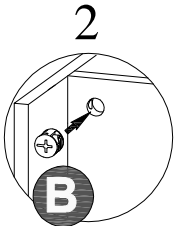
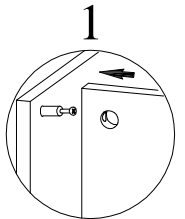
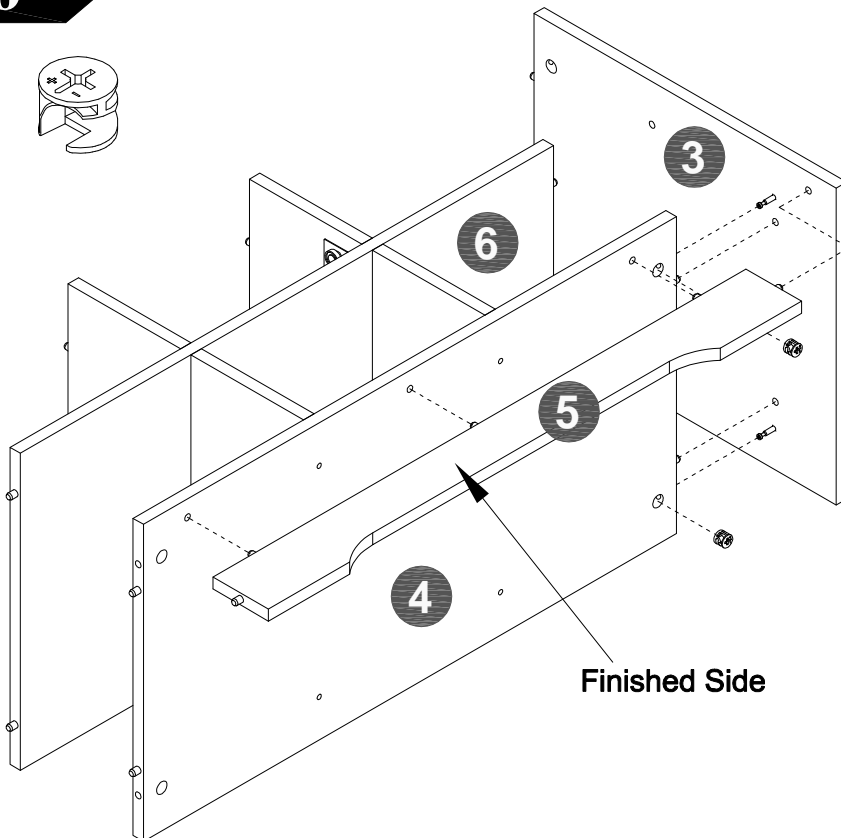


STEP 15



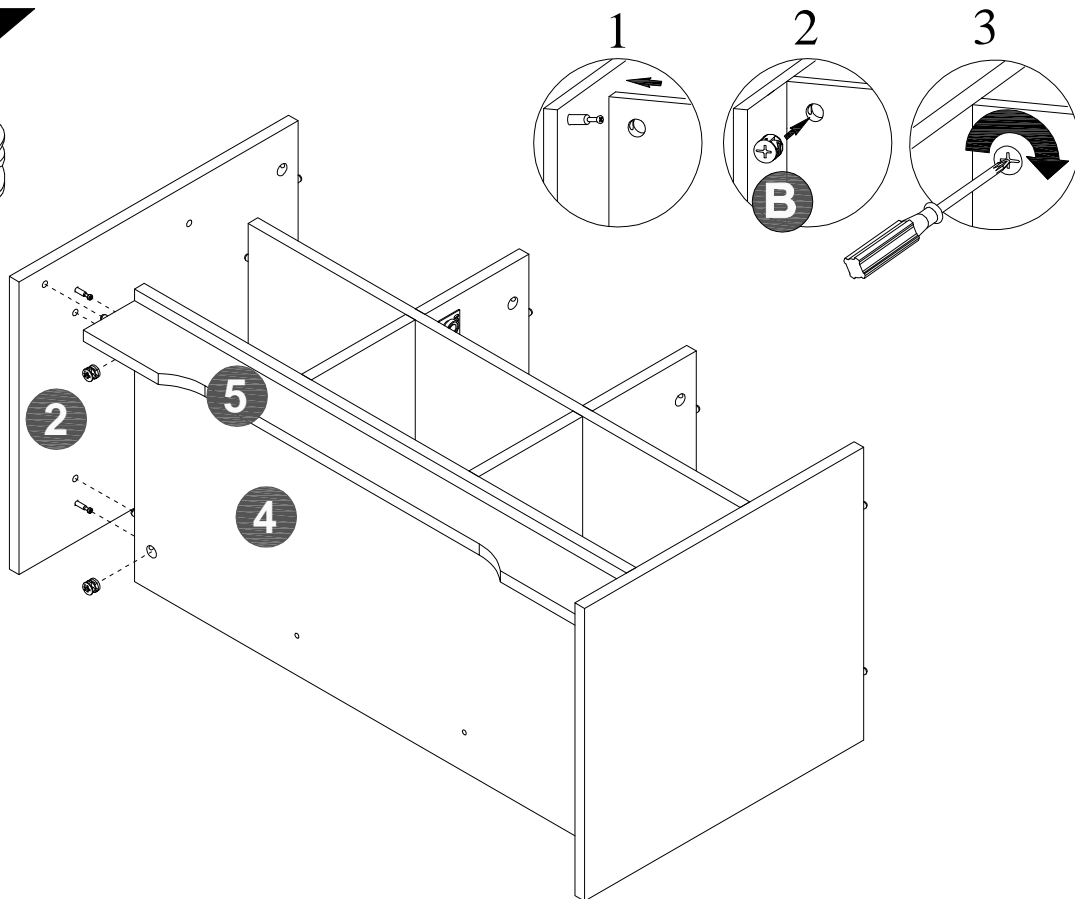
STEP 16

B x 2pcs



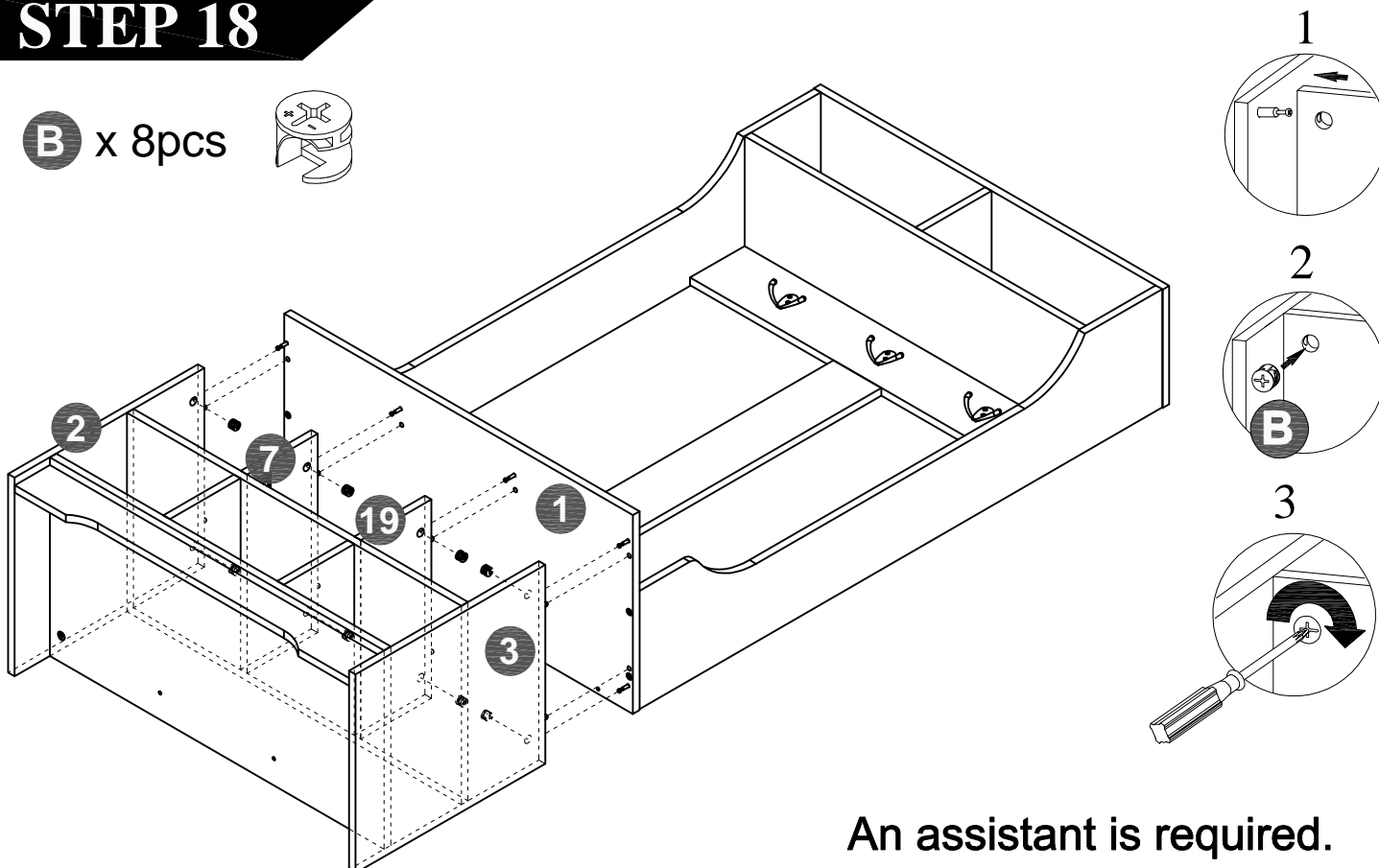
STEP 17

B x 2pcs



STEP 18

B x 8pcs



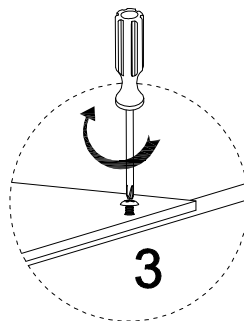
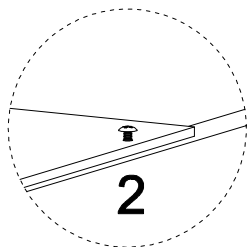
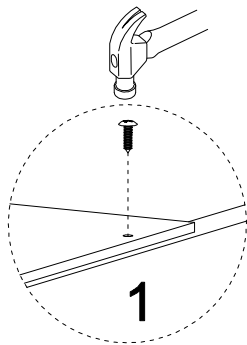
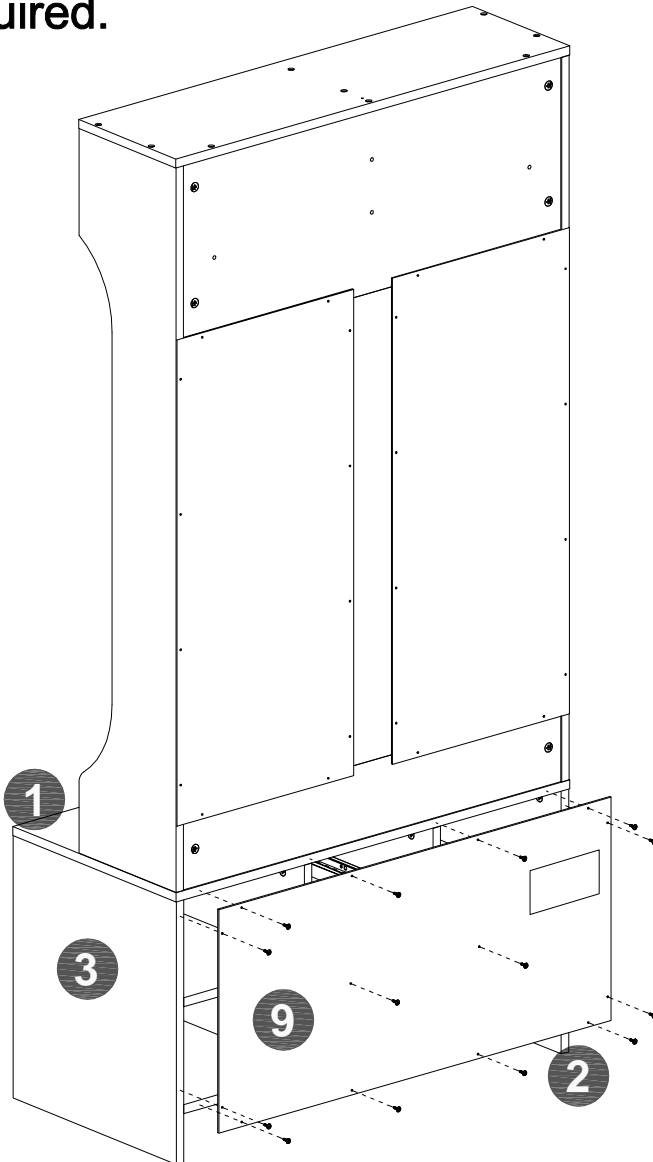
An assistant is required.

STEP 19

H x 14pcs 

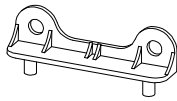
With assistant carefully stand unit up.

An assistant is required.

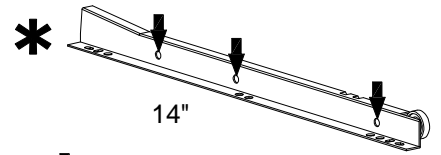


STEP 20

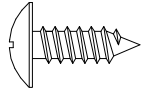
Q x 2pcs



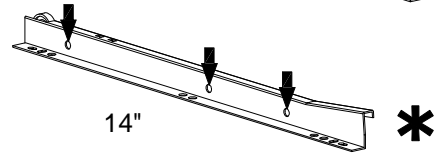
O x 1pc



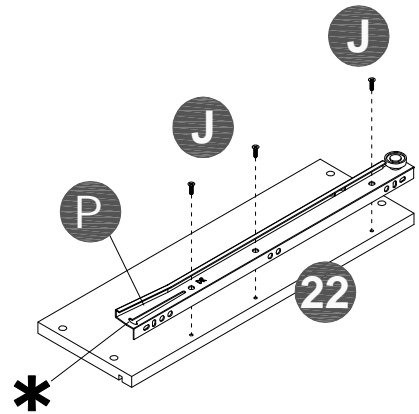
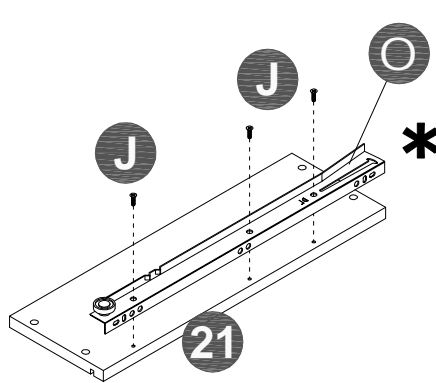
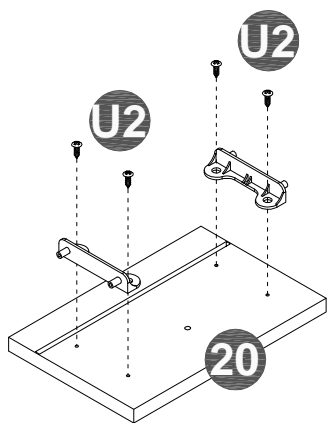
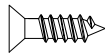
U2 x 4pcs



P x 1pc

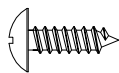


J x 6pcs

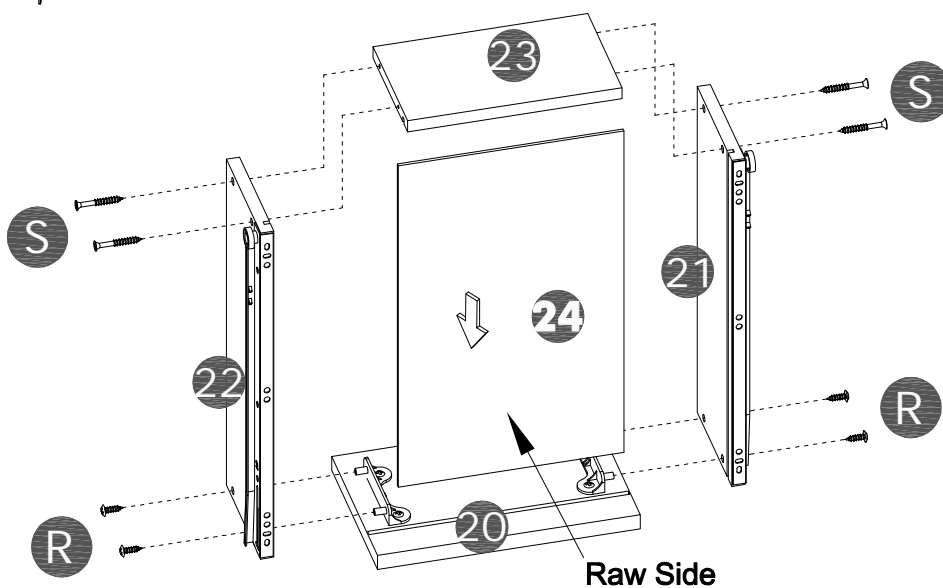
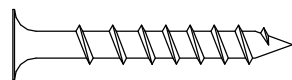


STEP 21

R x 4pcs

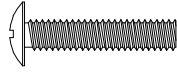


S x 4pcs

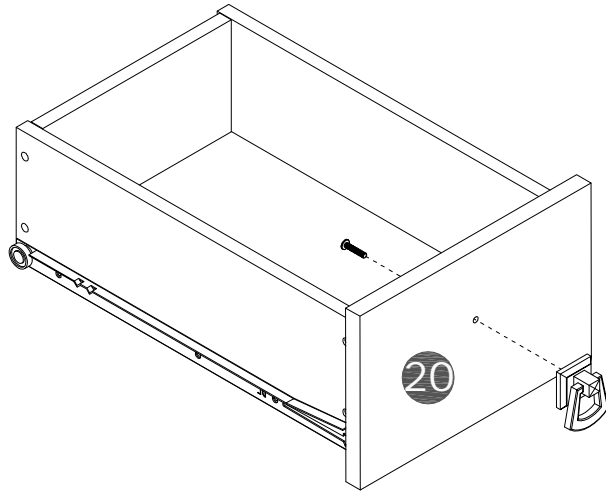


STEP 22

K x 1pc



L x 1pc



STEP 23

-Move unit to final location.

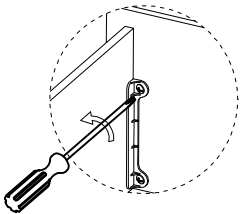
-Adjust drawer fronts as shown below.

Step1--Loosen screws on back of drawer front brackets as shown.

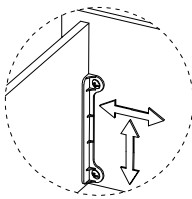
Step2--Position drawer front as required.

Step3--Tighten screws while holding drawer front in position.

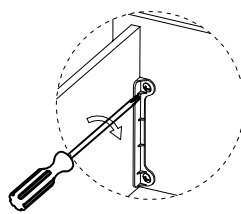
STEP 1.



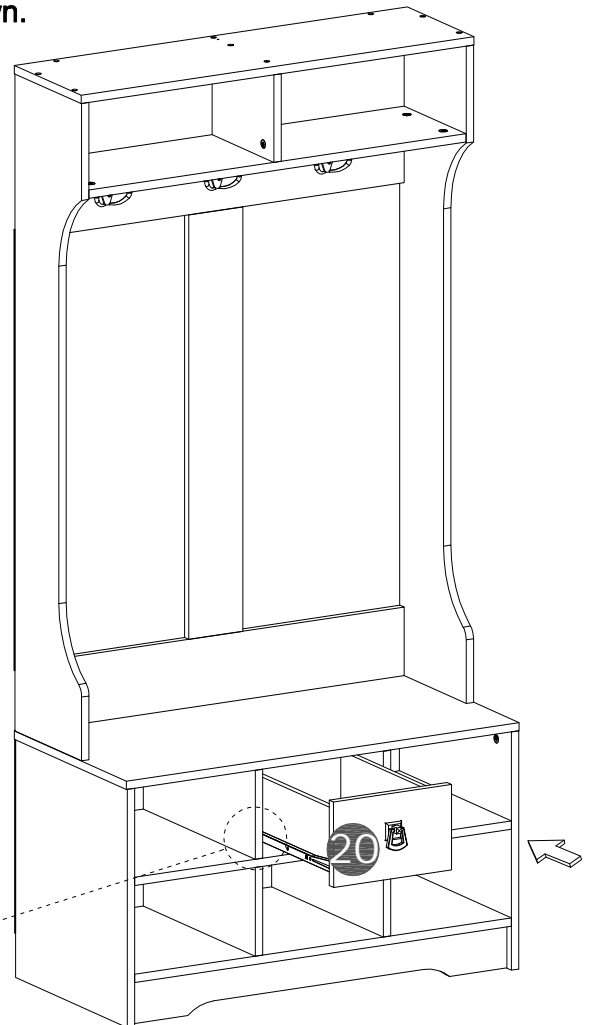
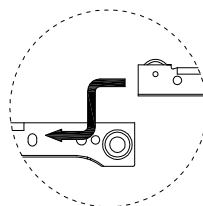
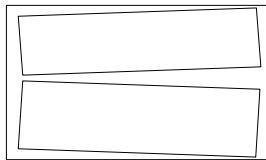
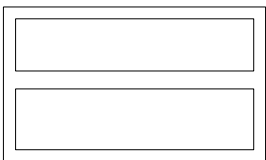
STEP 2.



STEP 3.

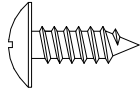


DRAWER FRONT VIEW

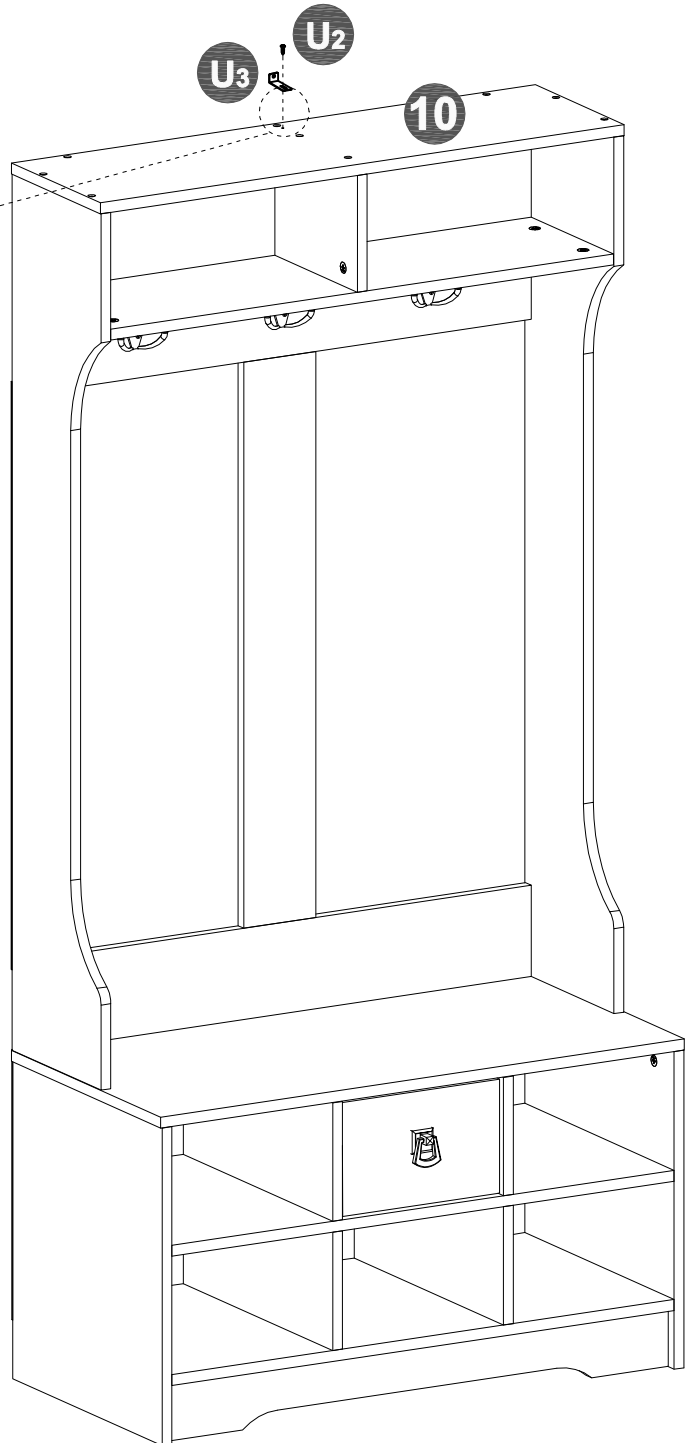
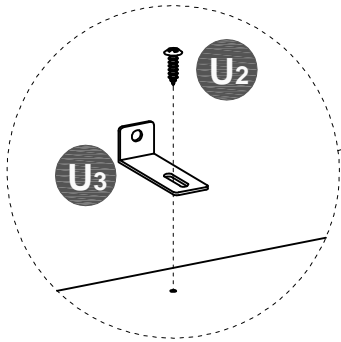


STEP 24

U₂ x 1pc

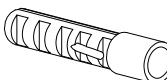


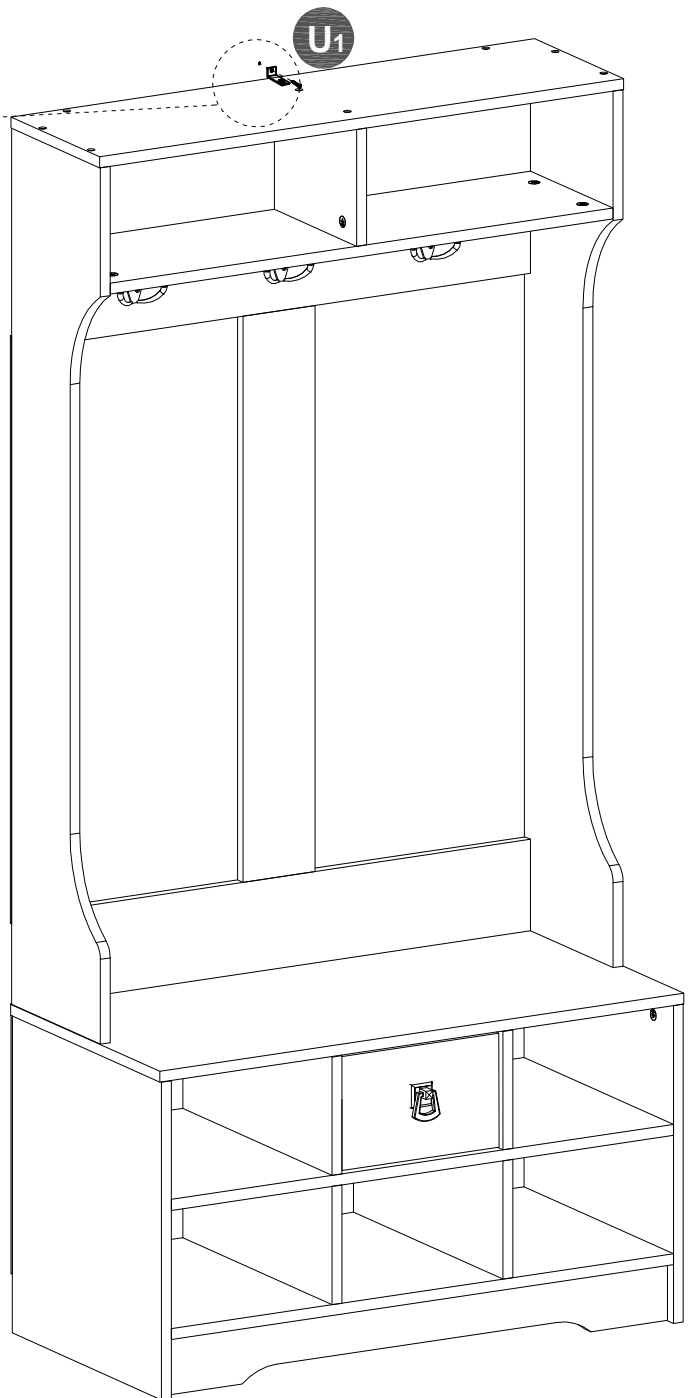
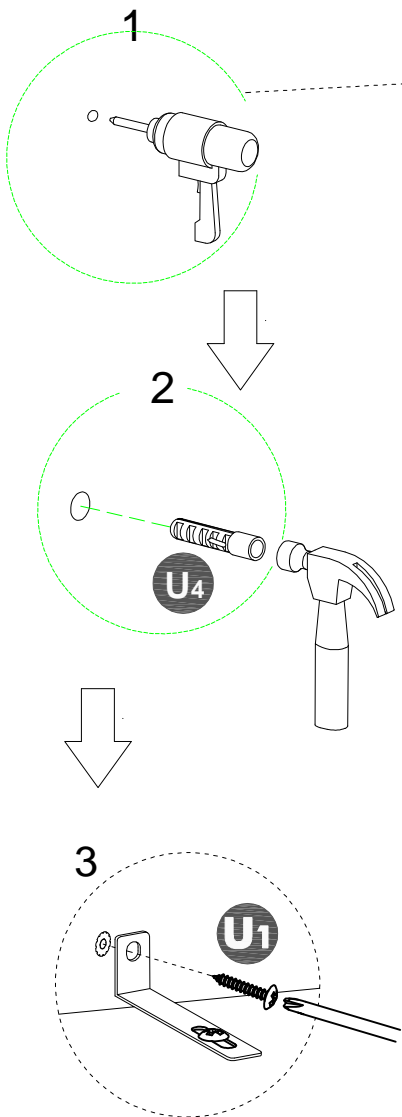
U₃ x 1pc



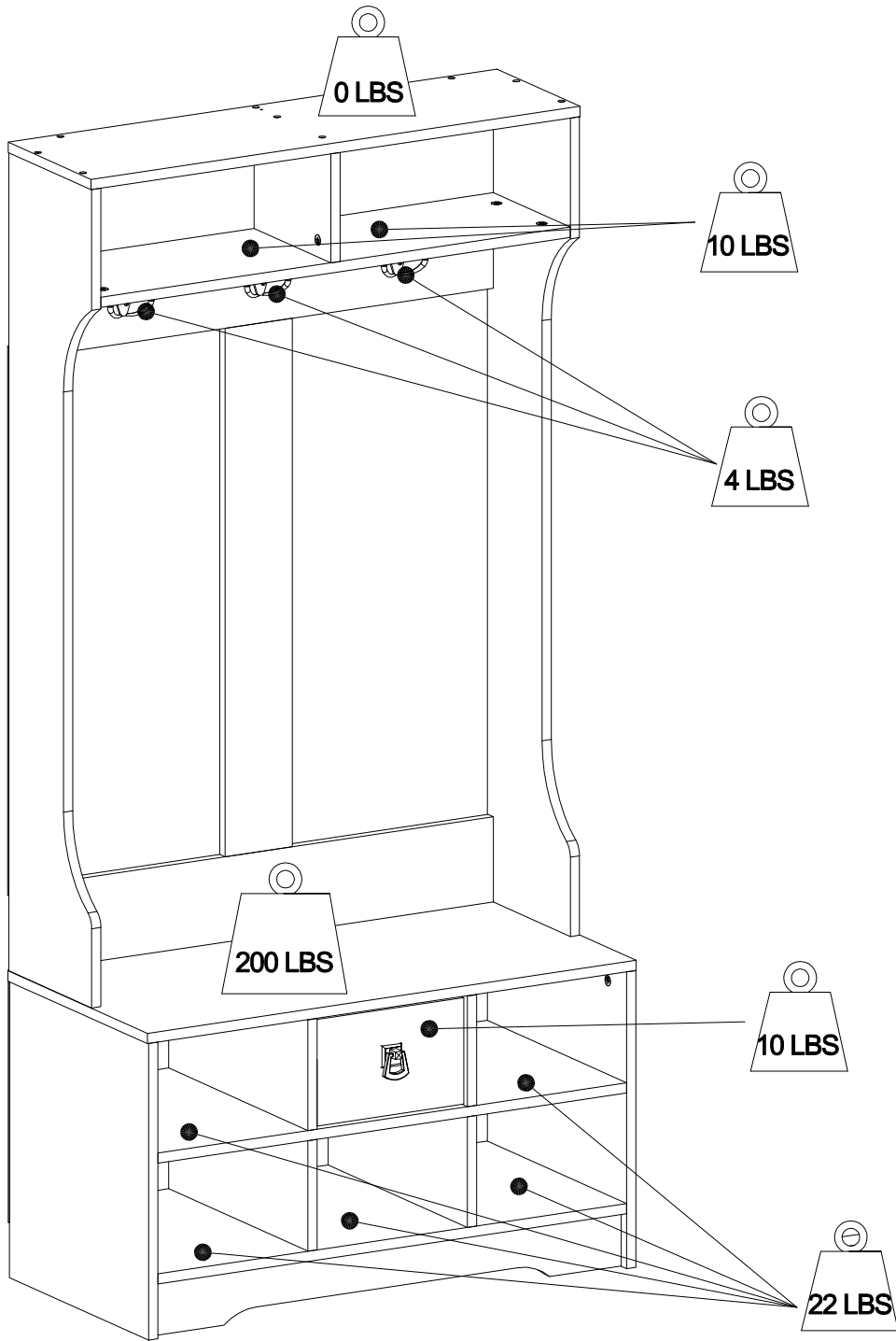
STEP 25

U₁ x 1pc 

U₄ x 1pc 



Maximum weight capacities



What is Proposition 65?

Proposition 65 is a California law that requires warning labels on products that may contain one of more than 800-plus chemicals or ingredients that the California Office of Environmental Health Hazard Assessment (OEHHA) has deemed to cause cancer or other reproductive toxicity. Chemicals and elements on this list include wood dust, brass, and other everyday substances, which can be found in very common household items, such as: lamps, tableware, jewelry, crystal glasses, electric cords, beauty products, automobiles, and furniture.

Why Did I Find a Proposition 65 Warning on My Home Goods Product?

We include Proposition 65 warnings on all of our products because there is always a chance that one of the 800-plus common chemicals and ingredients listed under this law could potentially be on our furniture or packing materials. We risk large fines under this law, if we don't include this warning.

Should I worry?

We realize you may be worried finding this warning on our products, but we want to reassure you that the hazardous exposure limits for any of these chemicals have never been found on furniture products that we've shipped to our customers. Additionally, this warning label is very common and can be found on almost every piece of furniture sold in the state of California.

Just How Common Are Proposition 65 Warnings?

Proposition 65 warnings have become so common in California that it is hard to take a trip to local bank, grocery store, or restaurant without finding at least one warning. In fact, even the Disney Land Resort has a Proposition 65 warning:

