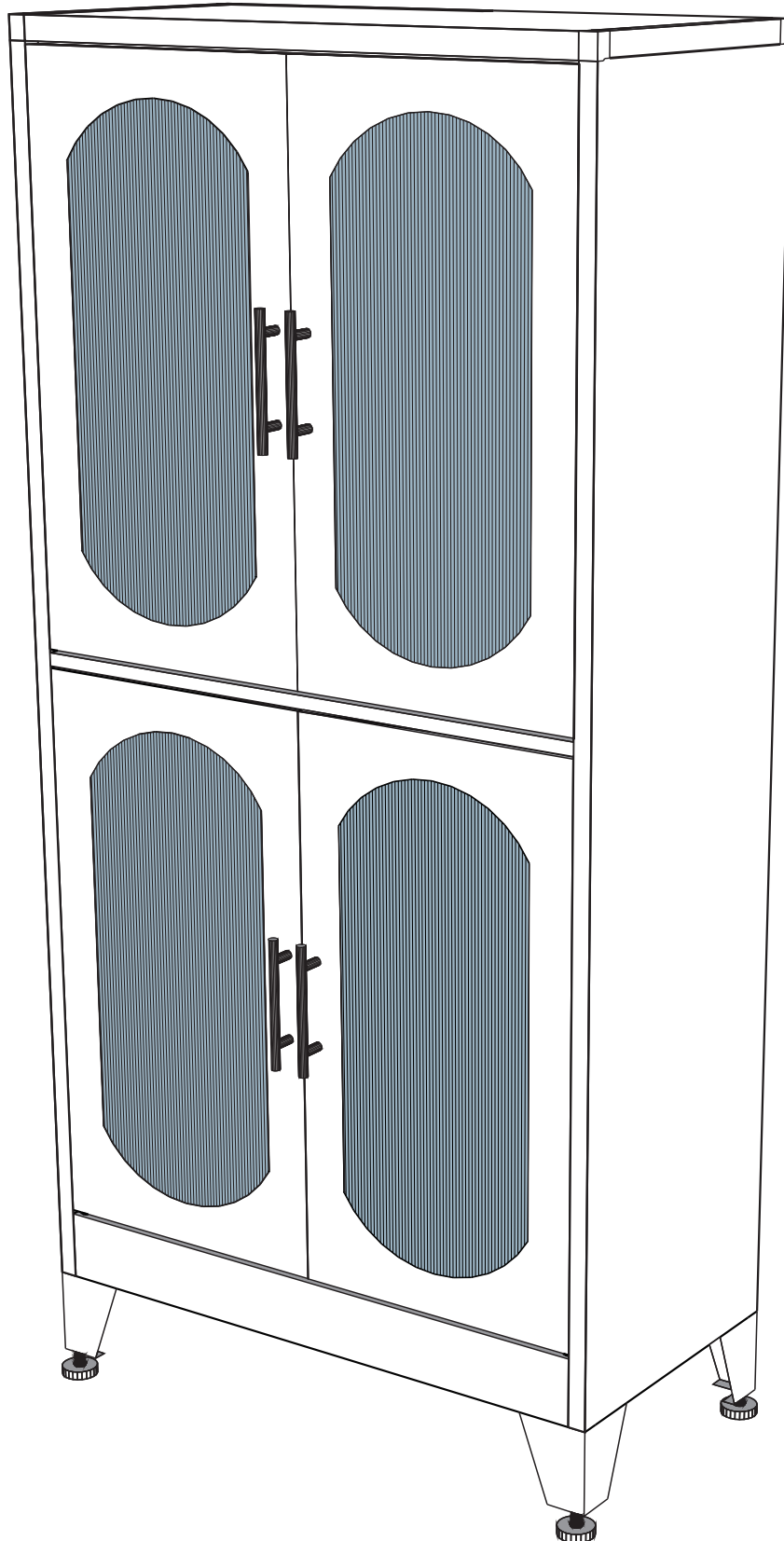

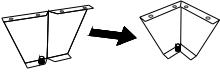

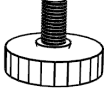
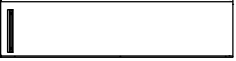

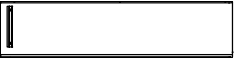


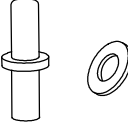






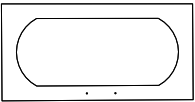
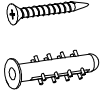
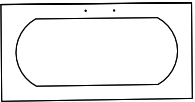
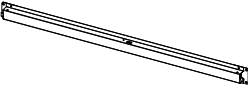
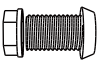


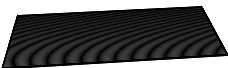
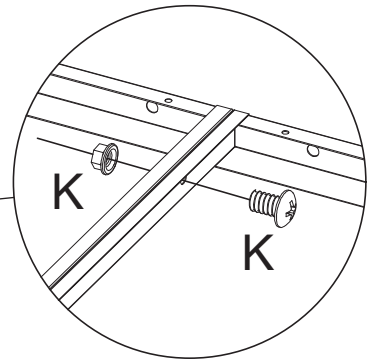
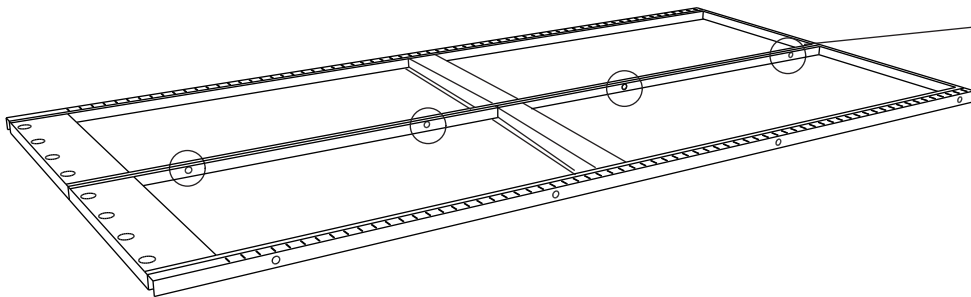
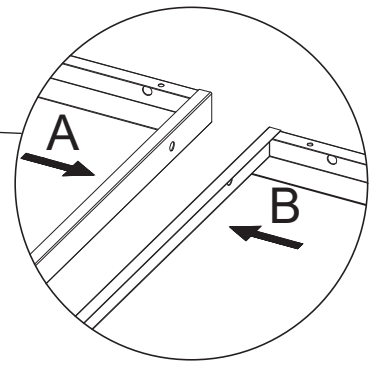
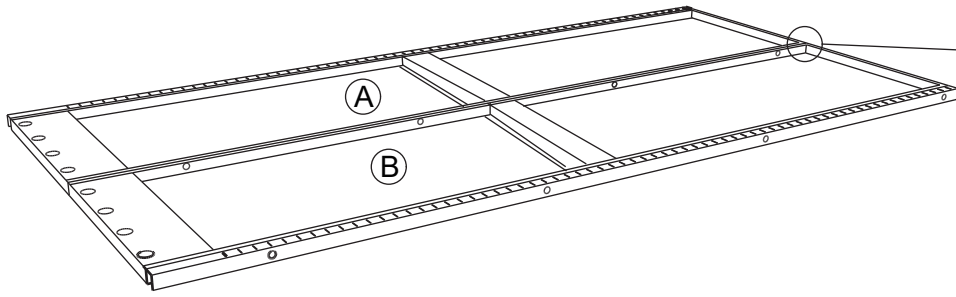


Installation & Assembly



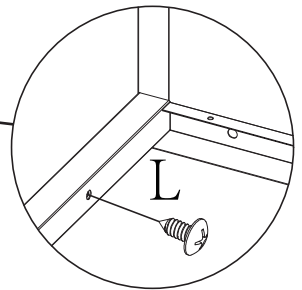
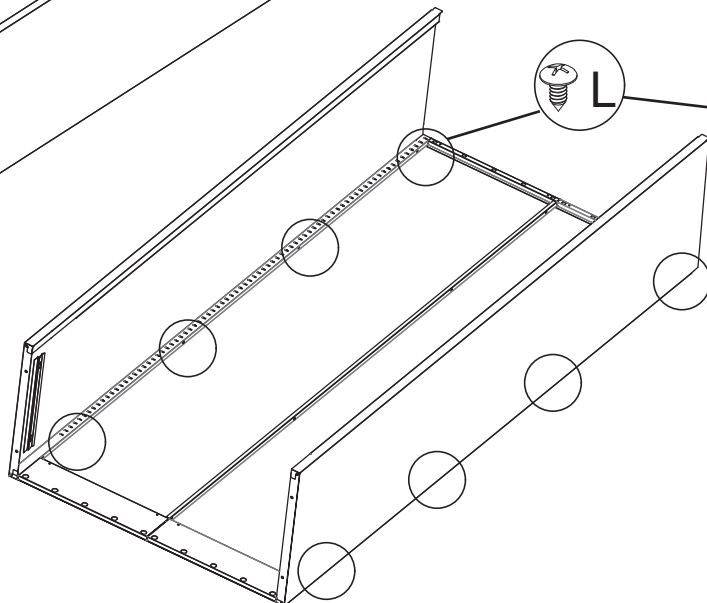
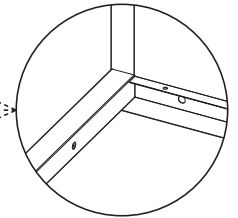
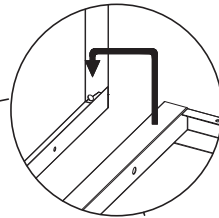
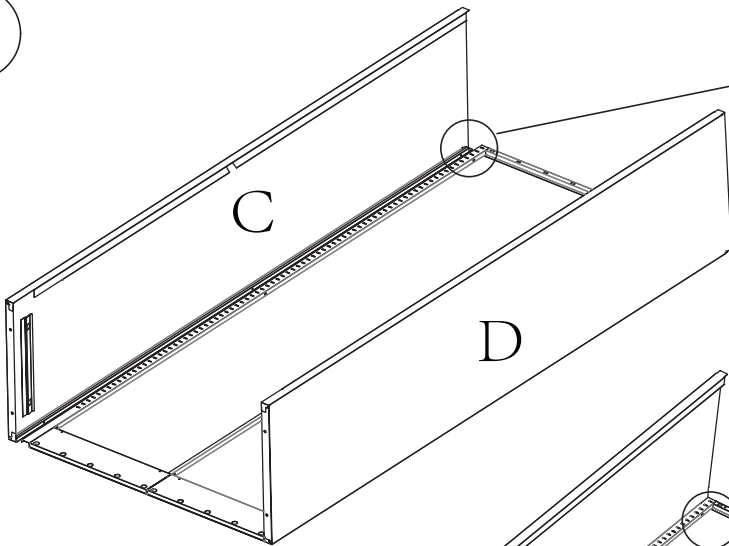
PARTS LIST		LISTEDESPIECES			LISTADEPIEZAS		
Nom Nombre	Part Piece Pieza	Qty Qte		Name Nom Nombre	Part Piece Pieza	Qty Qte	
A	Left Back Panel	 1		M Standing leg	 4		
B	Right Back Panel	 1		N Adjustable foot	 4		
C	Left Side	 1		O Shelf Support	 8		
D	Right Side	 1		P Laminate fastening buckle	 8		
E	Kick Plate	 1		Q Door Pivot Pin\ Shim	 4		
F	Bottom Panel	 2		R Haft	 4		
G	Top Panel	 1		S magnet	 8		
H	Shelves	 2		T Door seal cover	 4		
I	Left Door	 2		U Set screw	 2		
J	Right Door	 2		V middle beam	 1		
K	13/32"Screw	 4		W Panel buckle	 48		
L	13/32"Screw	 44		X Acrylic sheet	 4		

1



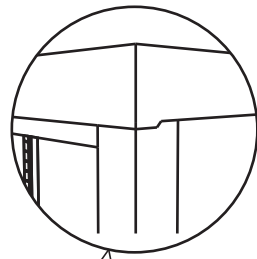
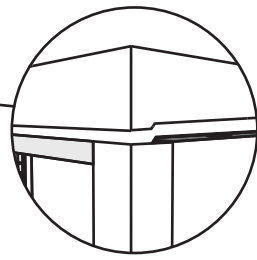
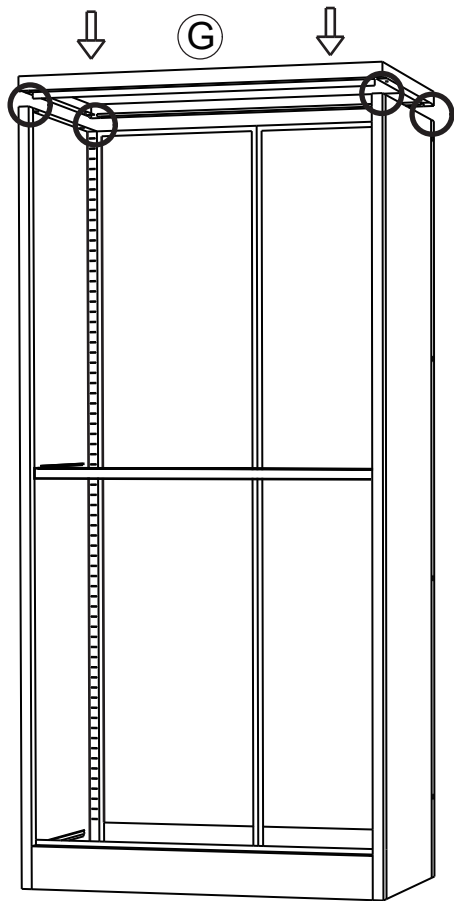
 K×4

2



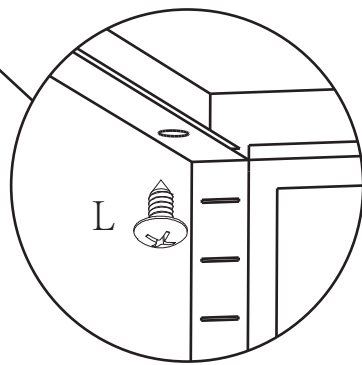
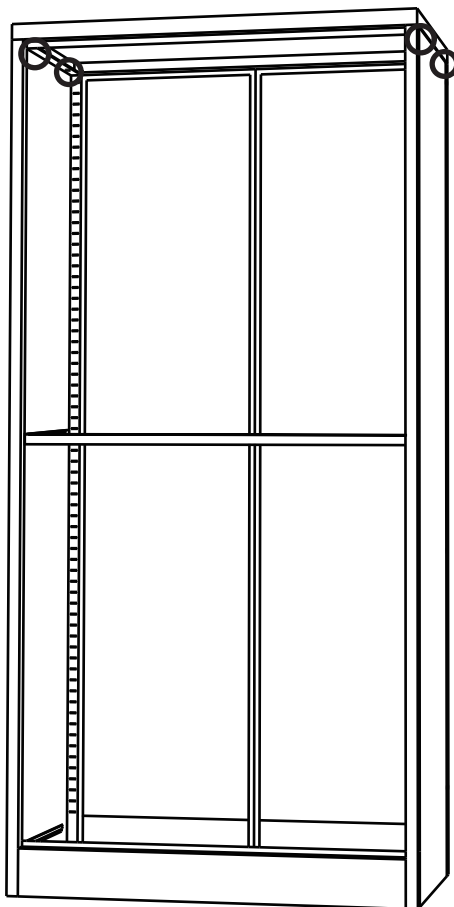
 L×8

5



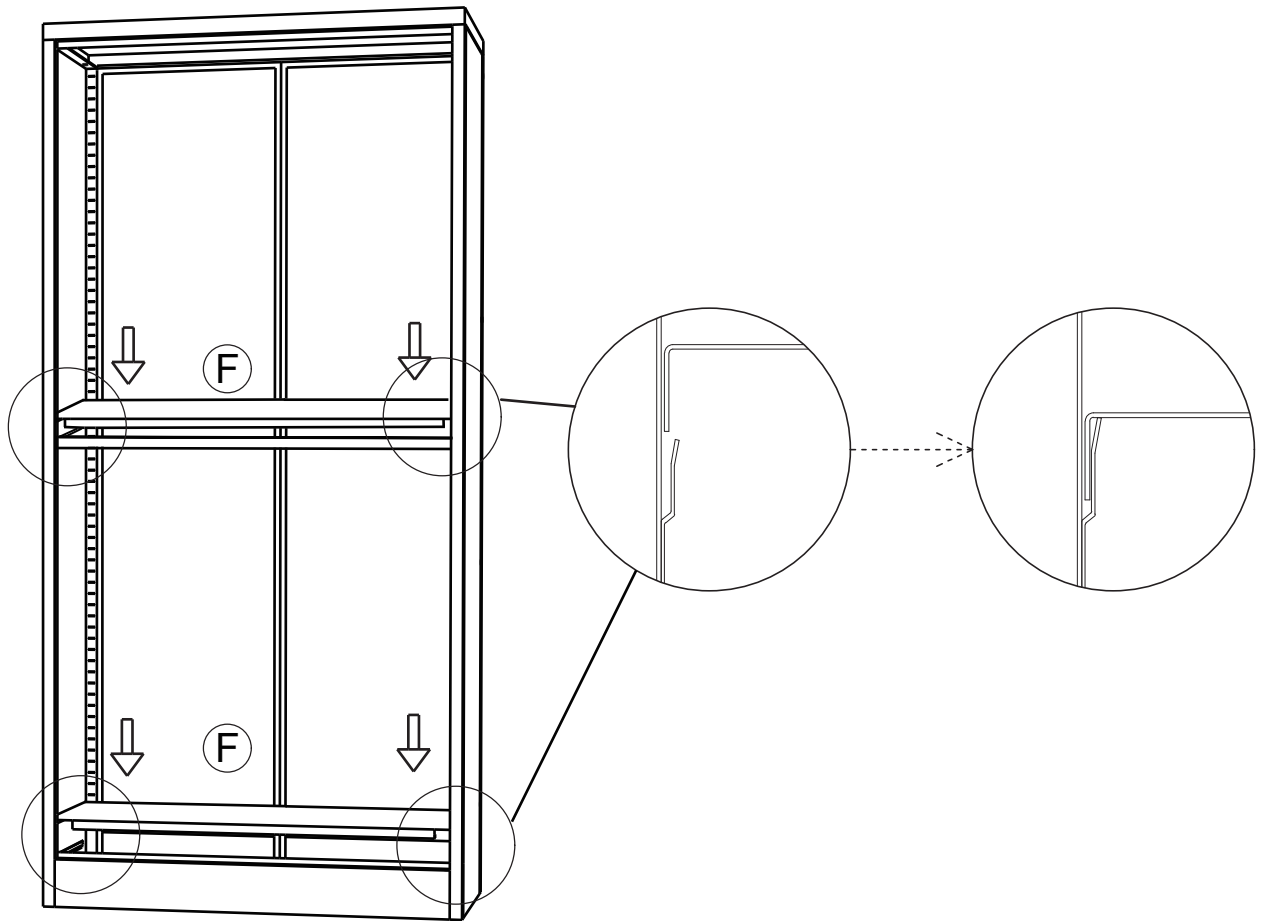
The four corners of the top need to include the four corners of the side panels

6

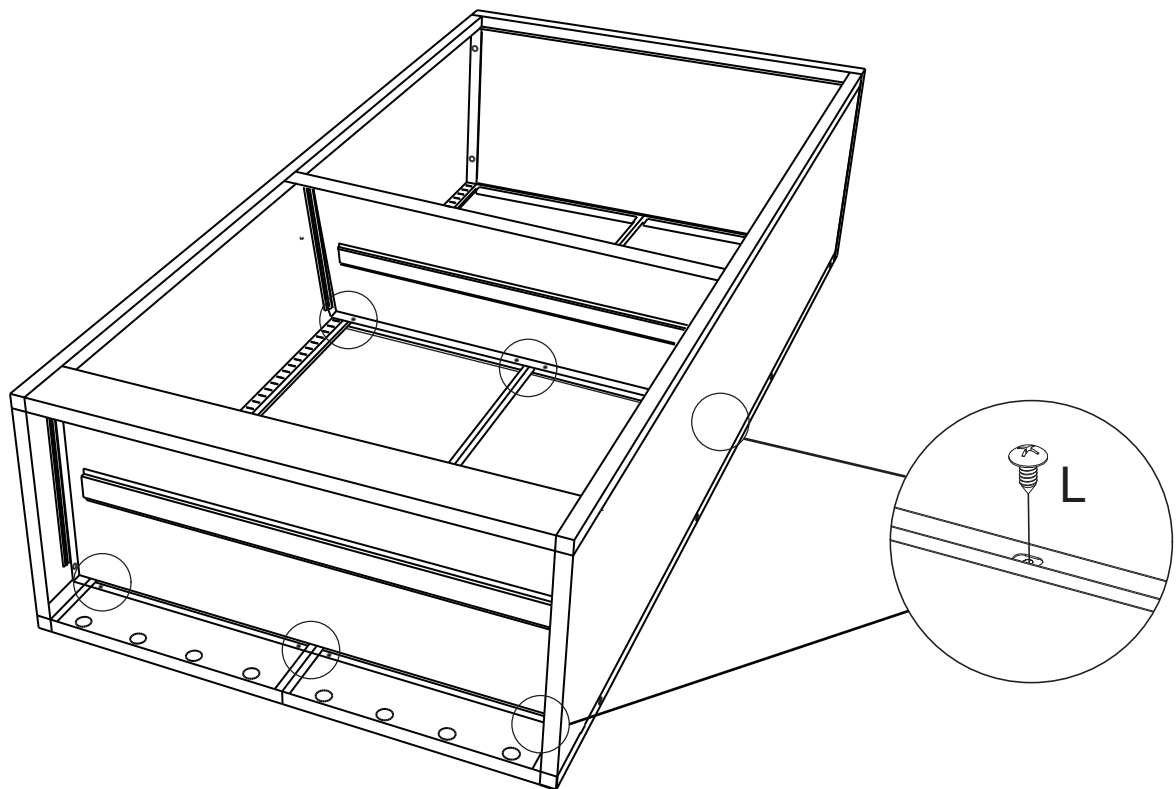


 L×4

7

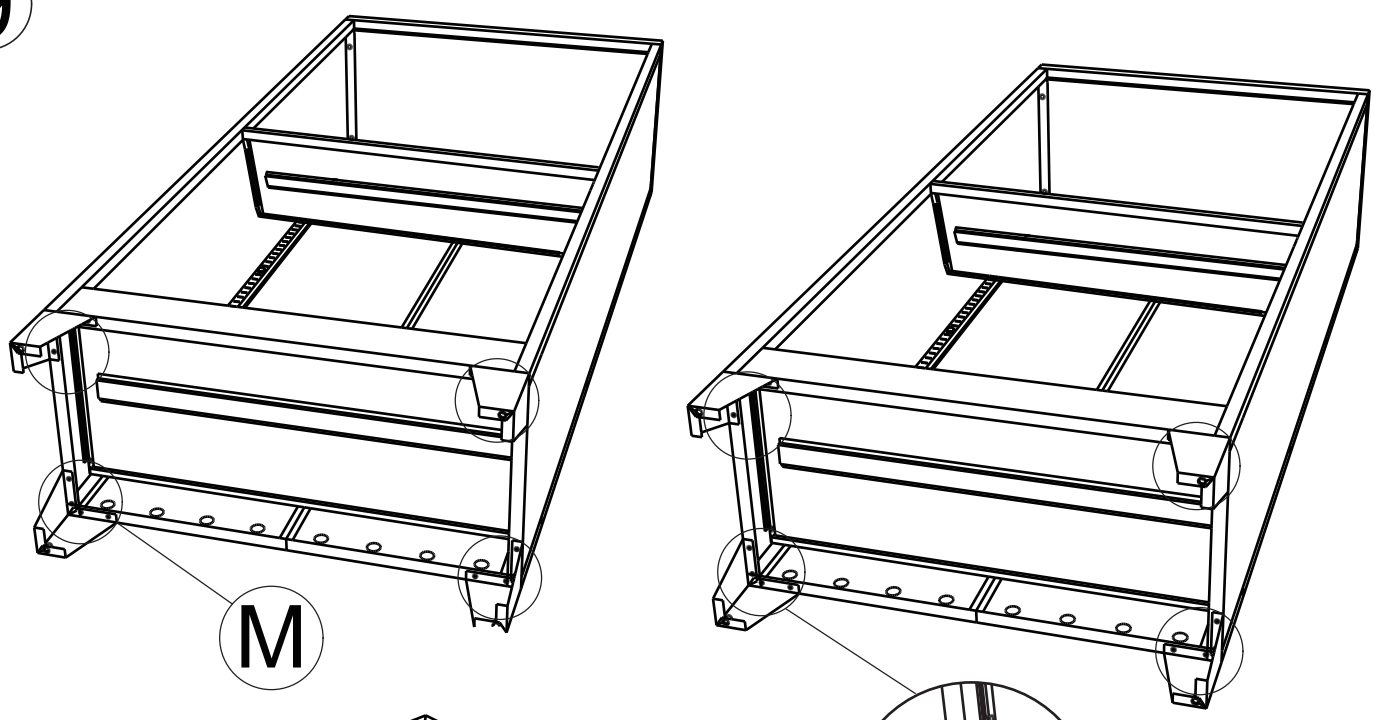


8

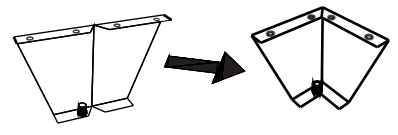


 L×8

9



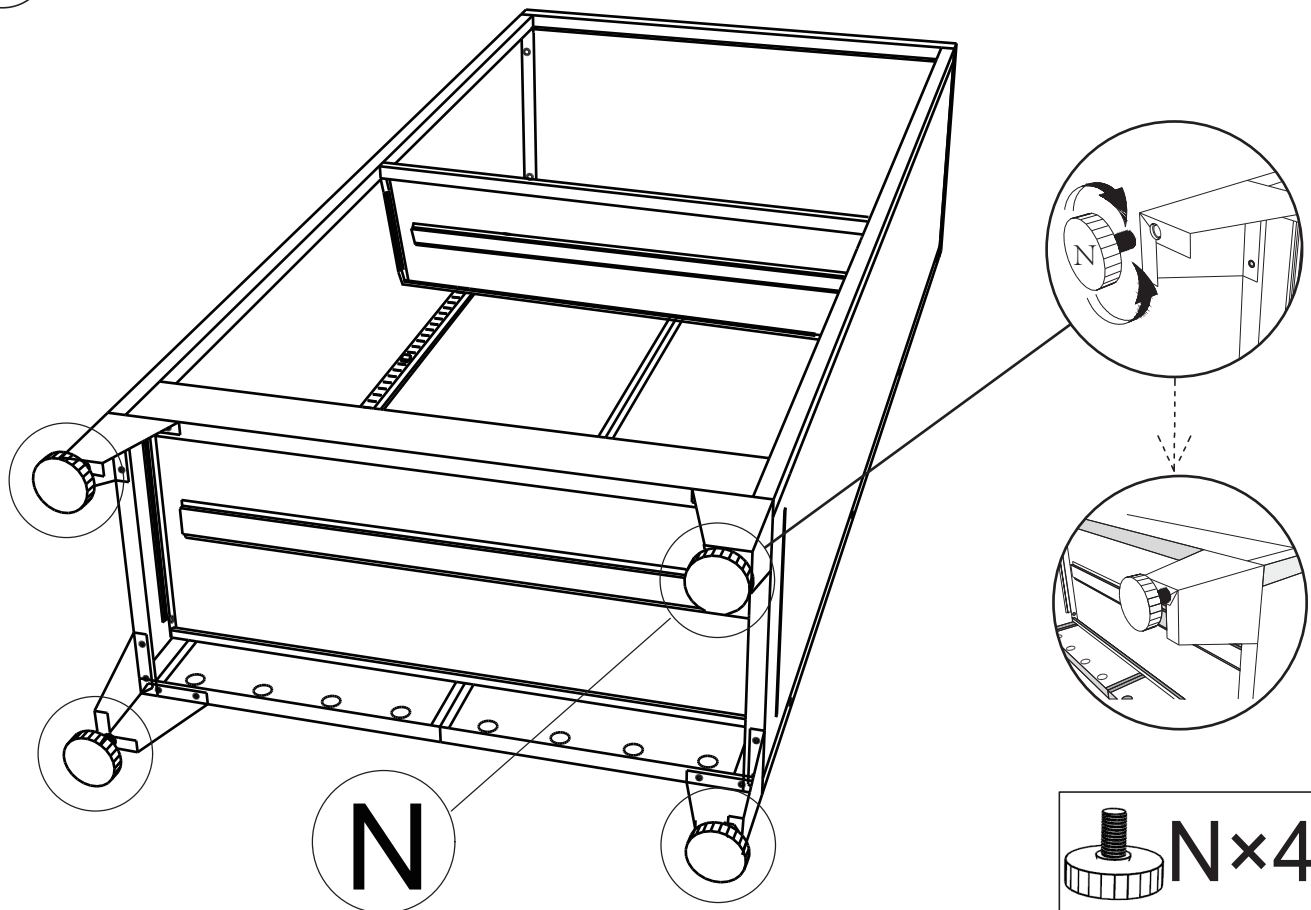
M



If you think it looks better without the standing corner, you can choose to skip this step (9) and the next step (10)

 L×16

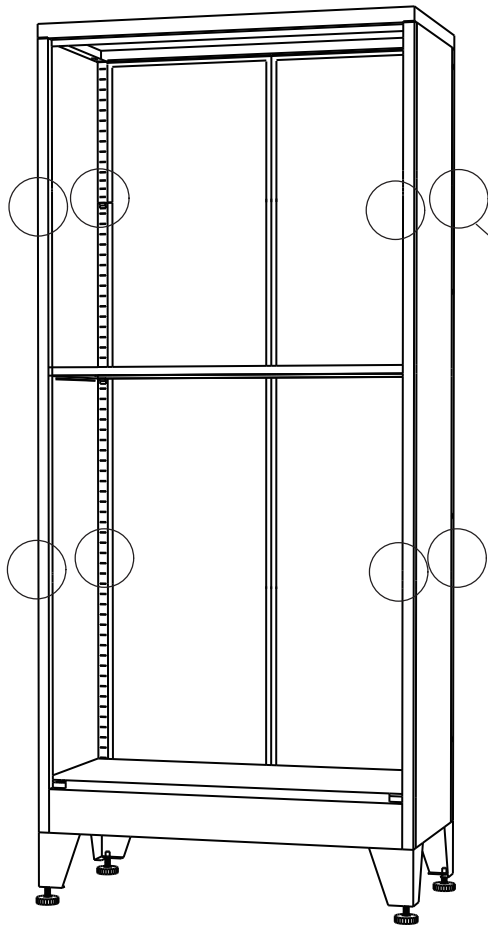
10



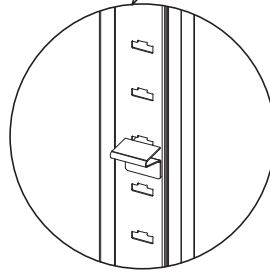
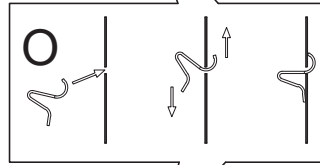
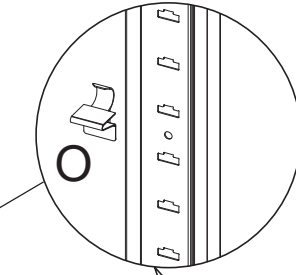
N

 N×4

11

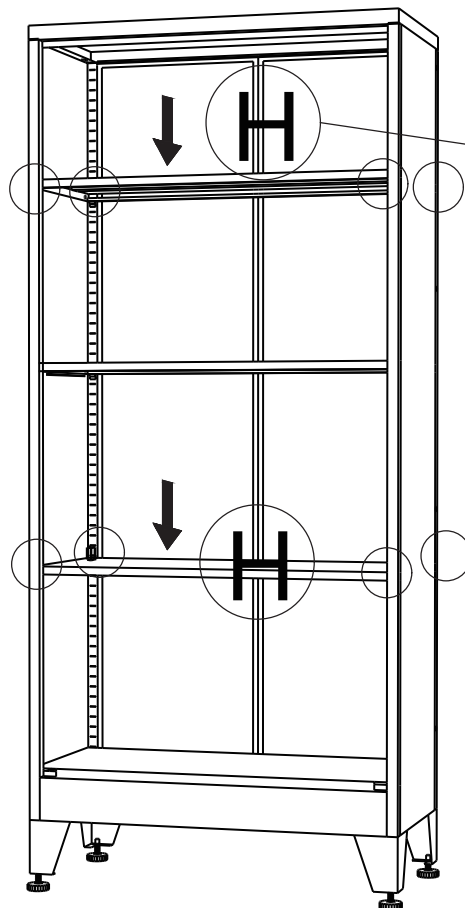


O

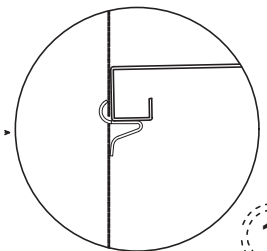
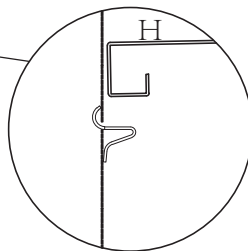


O×8

12

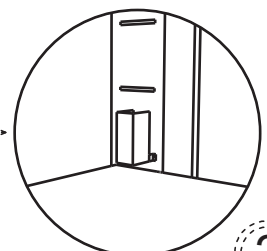
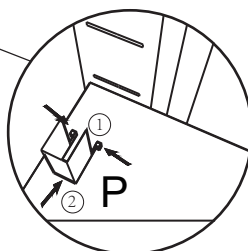


H



1

P

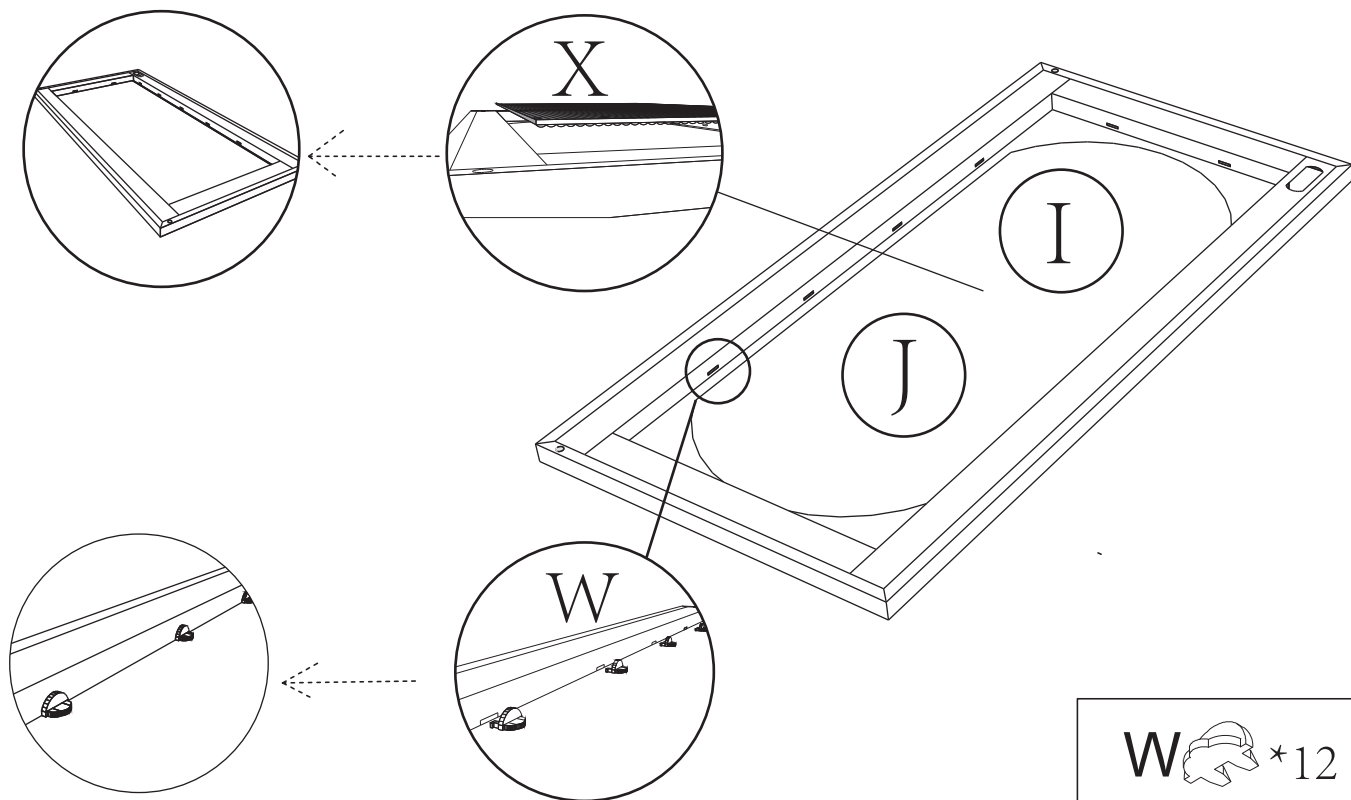


2

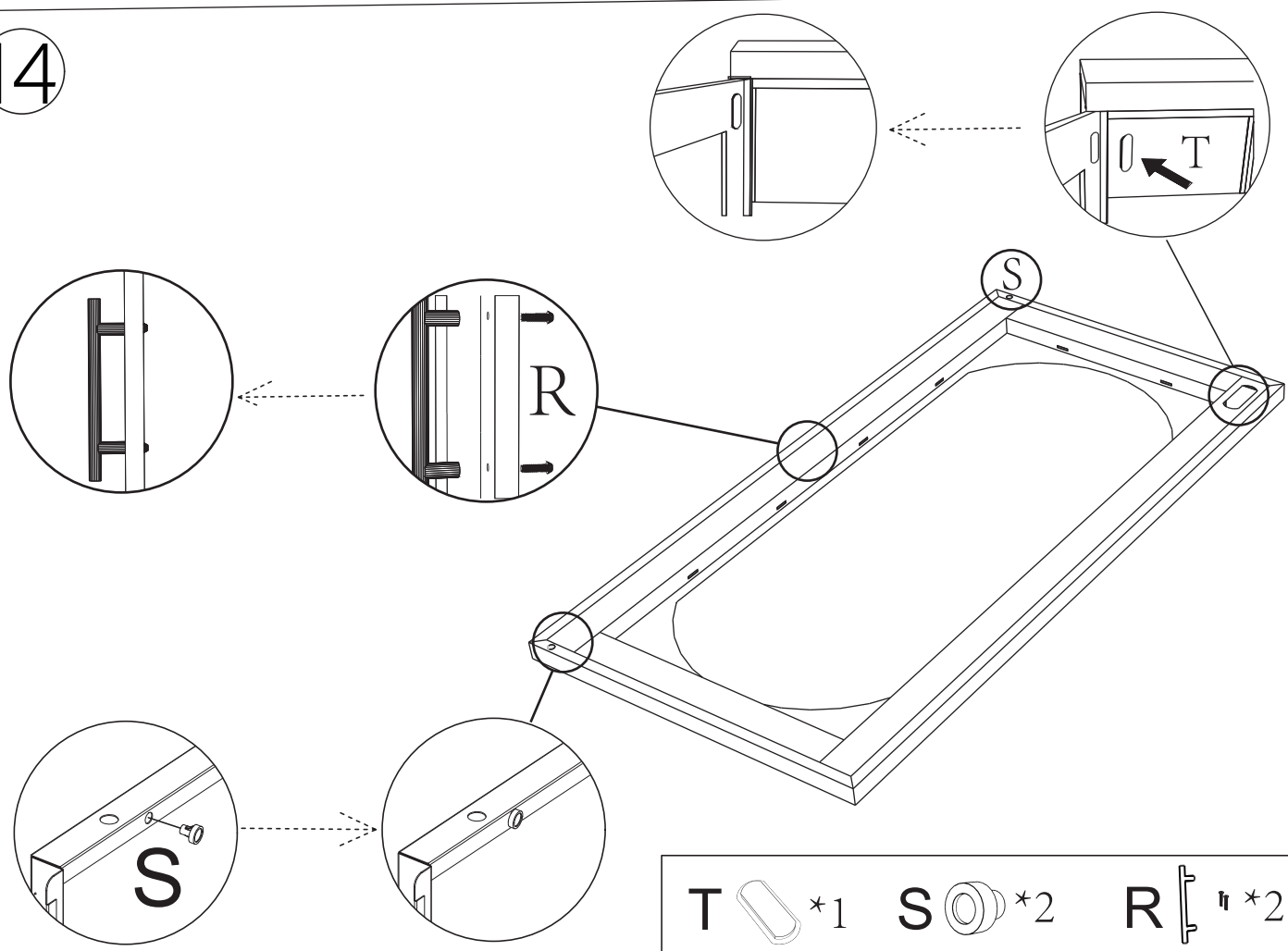
P *8

13

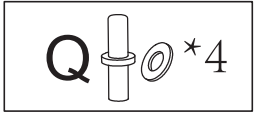
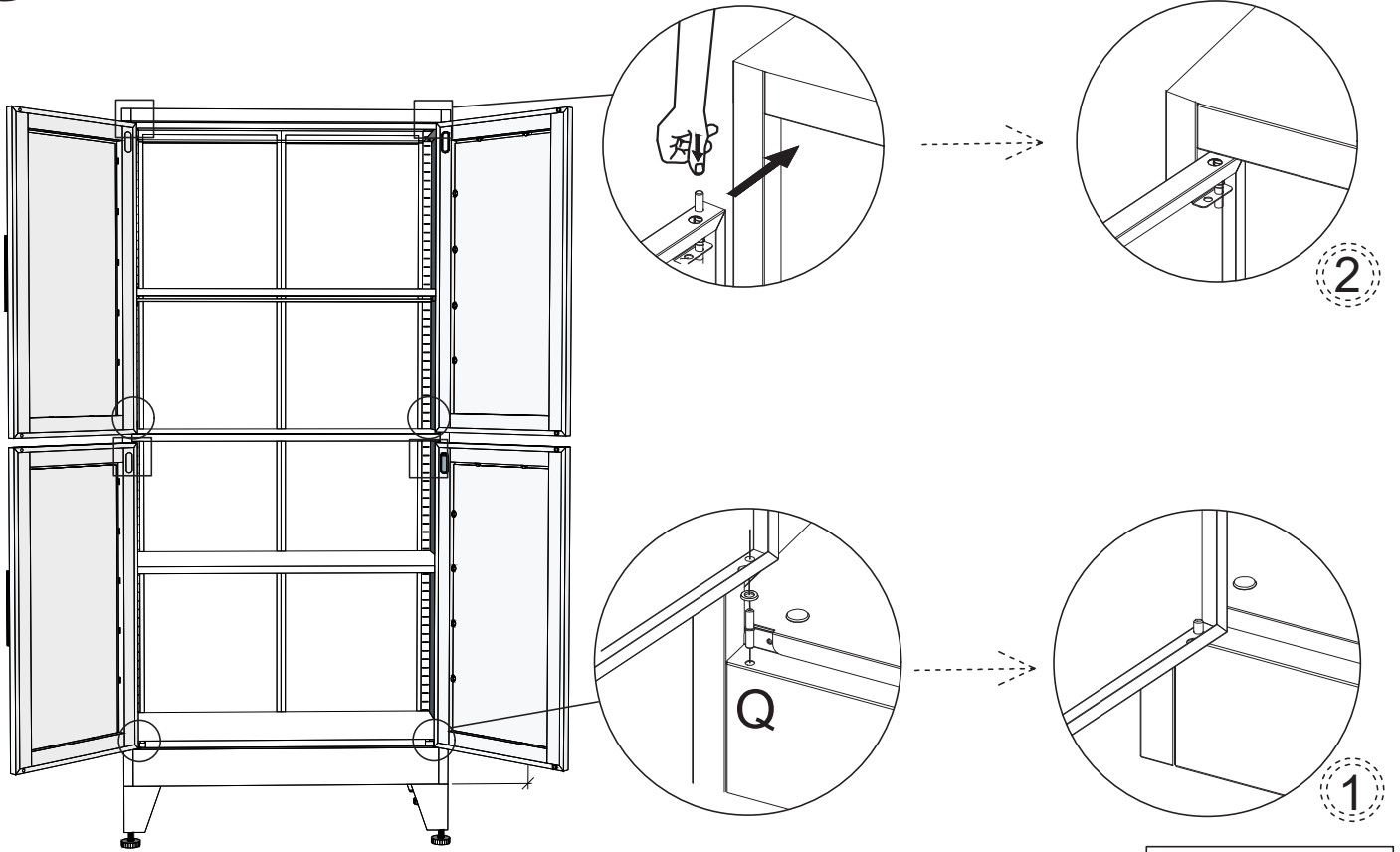
Please tear off the protective film on both sides of the X part before putting it in



14

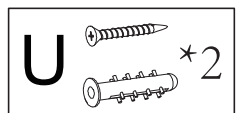
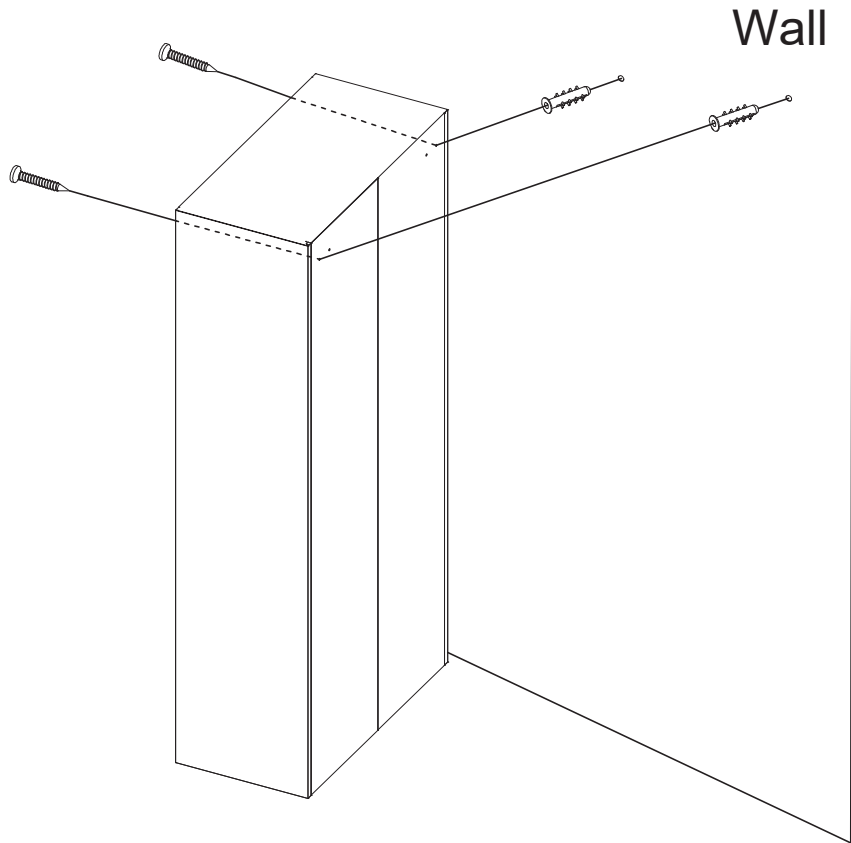


15



16

The cabinet can be fixed to the wall as needed.



extra screws as spares