

BLANCO ANDANO 340/340-U

Item No. BL467789

Pros



A symphony in stainless steel

- Unique composition of visual and functional elements
- The combination of radii and surface design creates a modern design
- High quality features consisting of a covered C-overflow® and modern basket strainer
- Large bowl capacity and fully usable base
- For installation from above or undermount installation
- Stylish: glass food board in silver-look and stainless steel colander

Surfaces

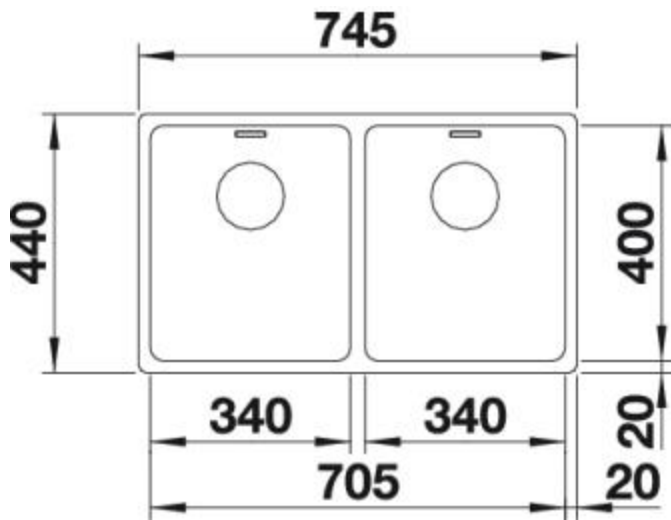


Stainless steel
18/10

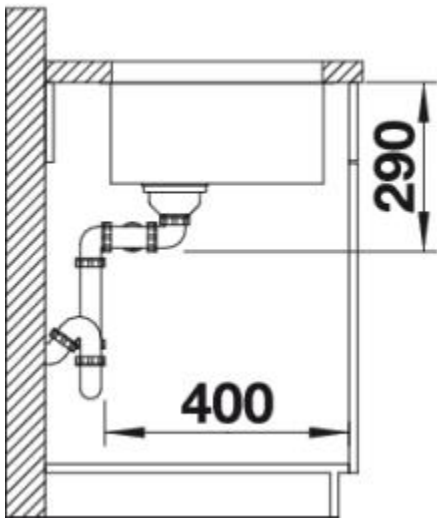
Stainless steel 18/10

Item No. BL467789

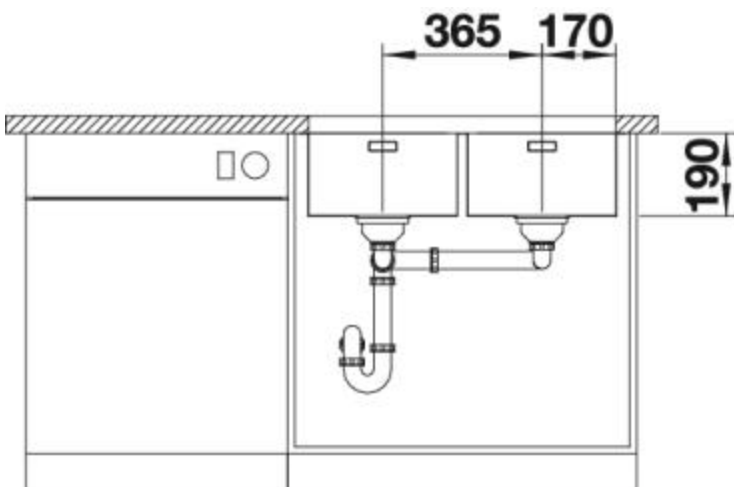
Details



Top View



Side View



Front View

Scope of supply

waste and overflow fitting with space-saving pipe, 3 1/2" basket strainer, fixing kit (sealing not included)

Design tips

Cabinet Width: 80 cm
Bowl depth: 190 mm / 190 mm

Cut out size: 705 x 400 x R22

Universal handing

Taps



BLANCO VONDA
chrome
BM3750CH



BLANCO CUBIC
chrome
BM1251CH

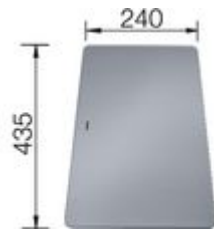


BLANCO SAGA
brushed steel
BM2400BS

Optional Accessories



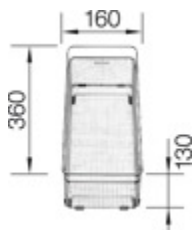
Chopping board
BL230700



Cutting board
BL227697



Colander
BL227692



Colander
BL223297

Tel: 01923 635200

Fax: 0800 0911608

> www.blanco.co.uk