



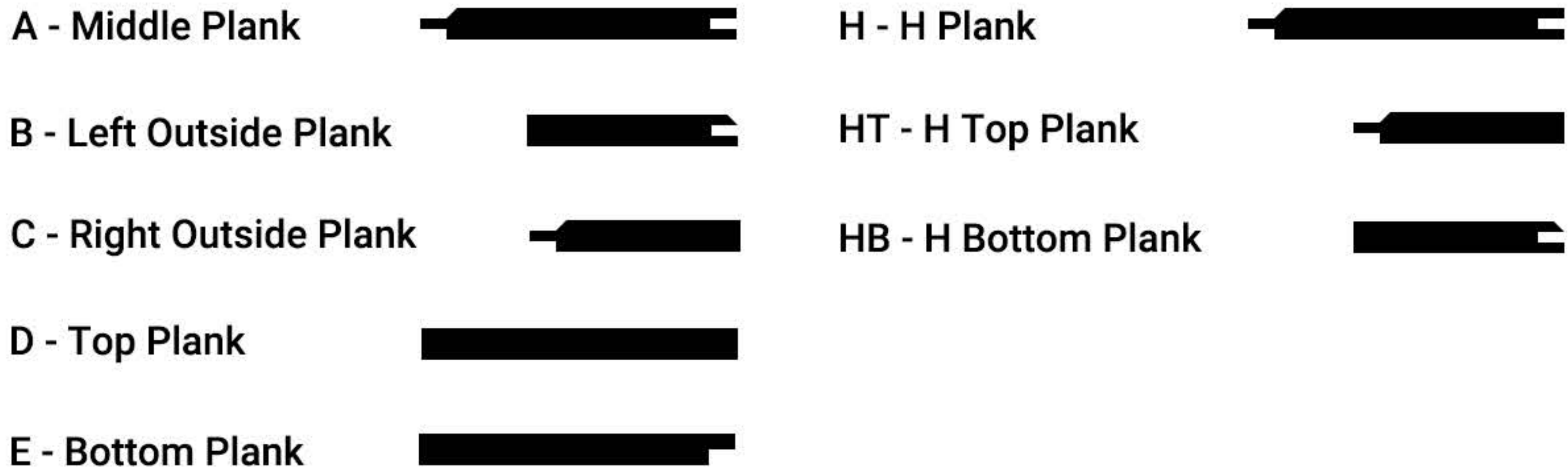
**Dessliy**  
BARN DOORS

# **KNOTTY PINE DIY BARN DOOR**

Instructions for assembling

Email: [support@dessliy.com](mailto:support@dessliy.com)

Side View



Size

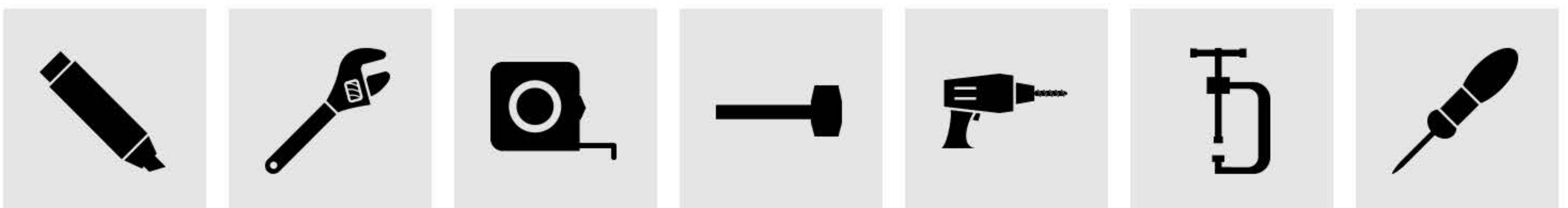
SINGLE DOOR

- 24" x 84"  28" x 84"  30" x 84"  36" x 84"  38" x 84"  42" x 84"

DOUBLE DOOR

- 48" x 84"  56" x 84"  60" x 84"  72" x 84"  76" x 84"  84" x 84"

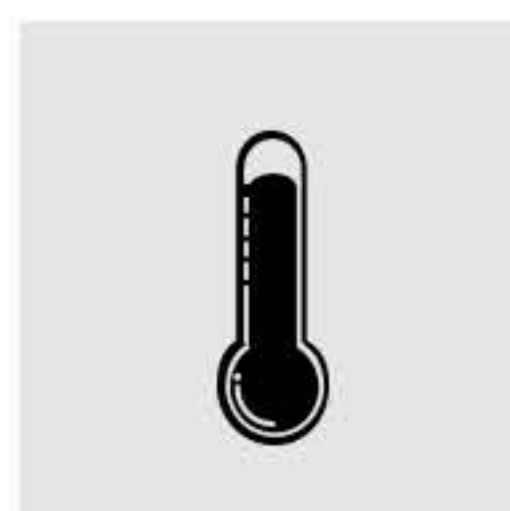
Tools Needed



Avoid



Avoid direct sunlight.

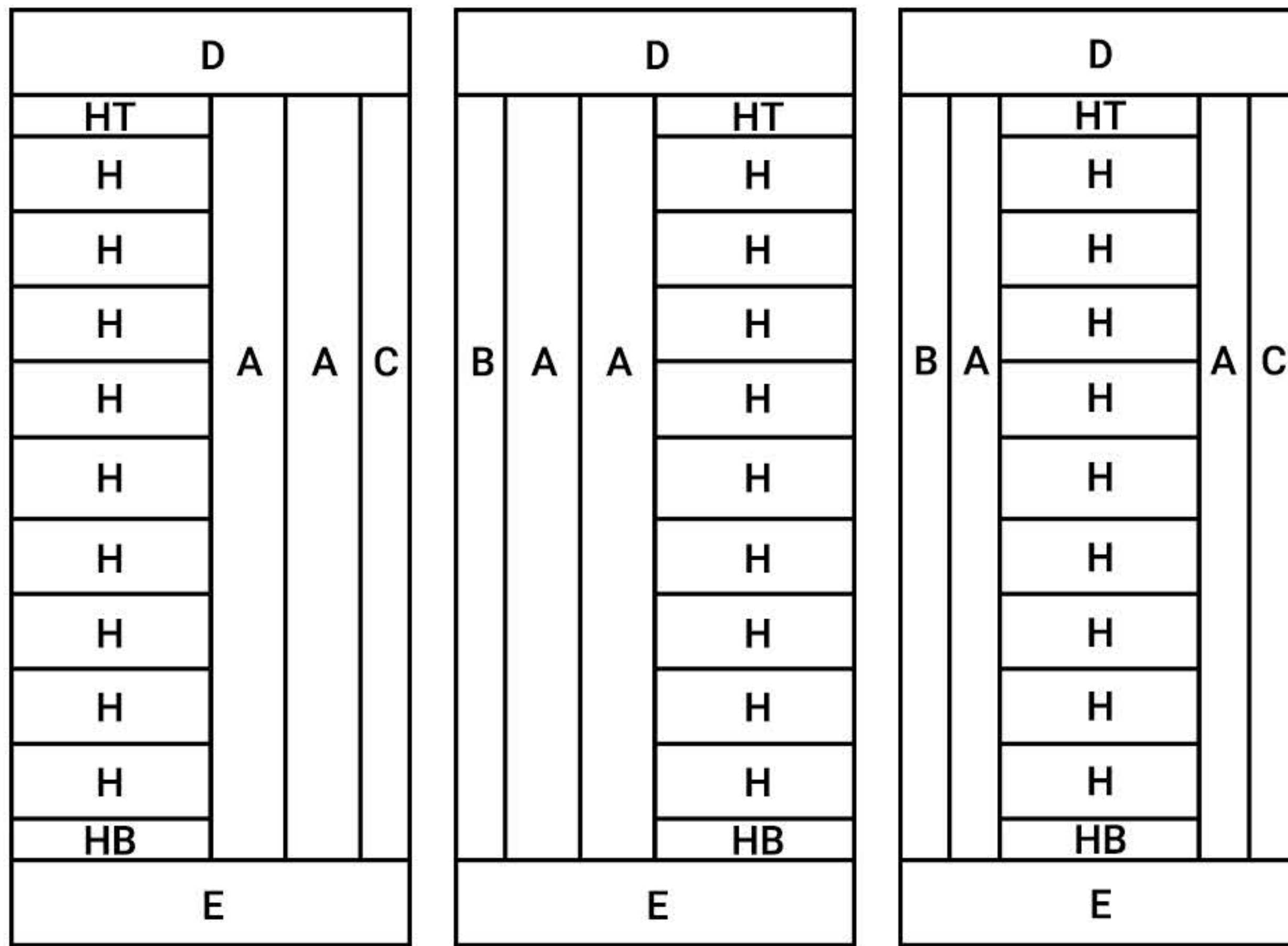


Avoid moisture.



Avoid rain.

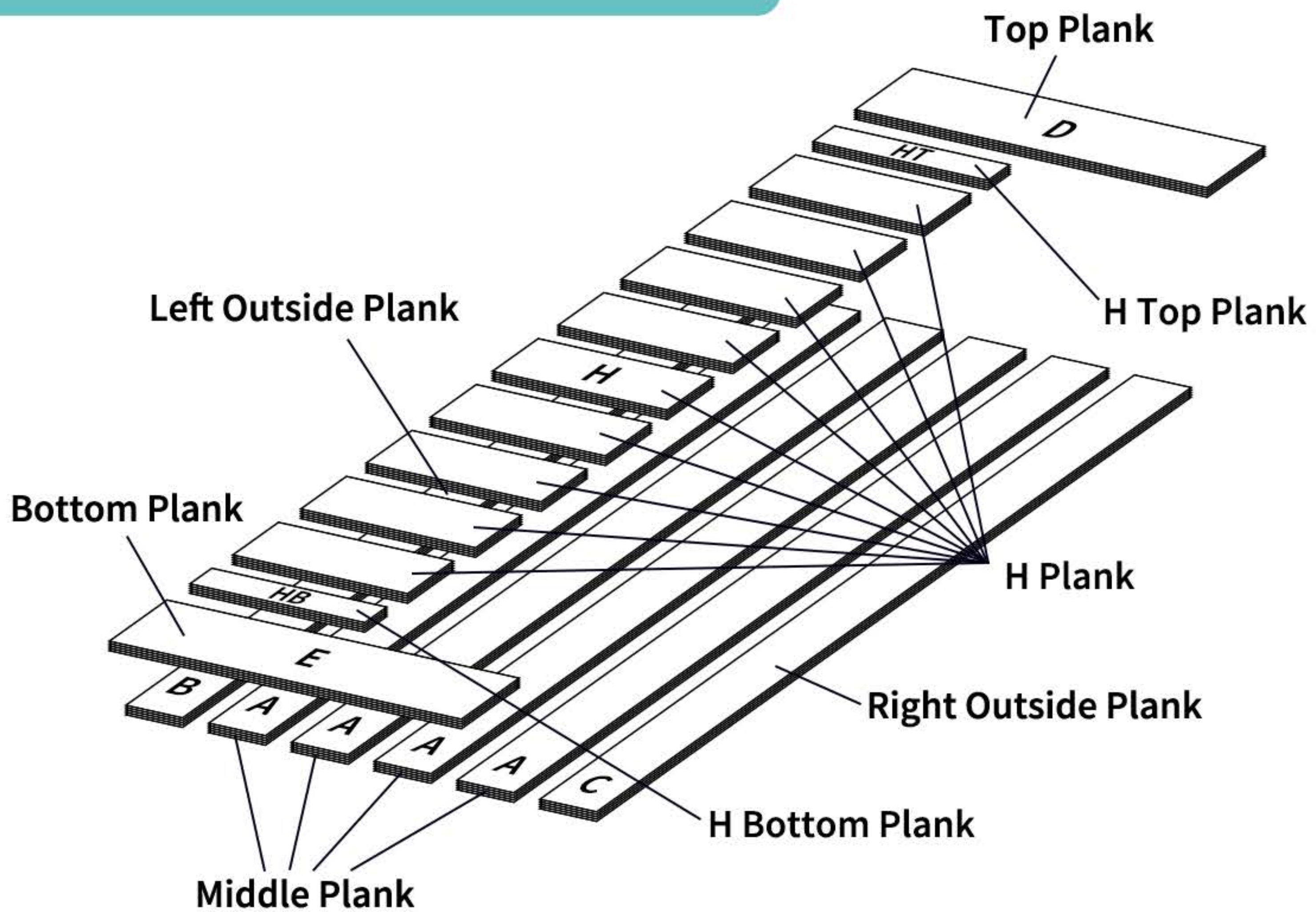
H Series



Please decide the appearance before assemble.

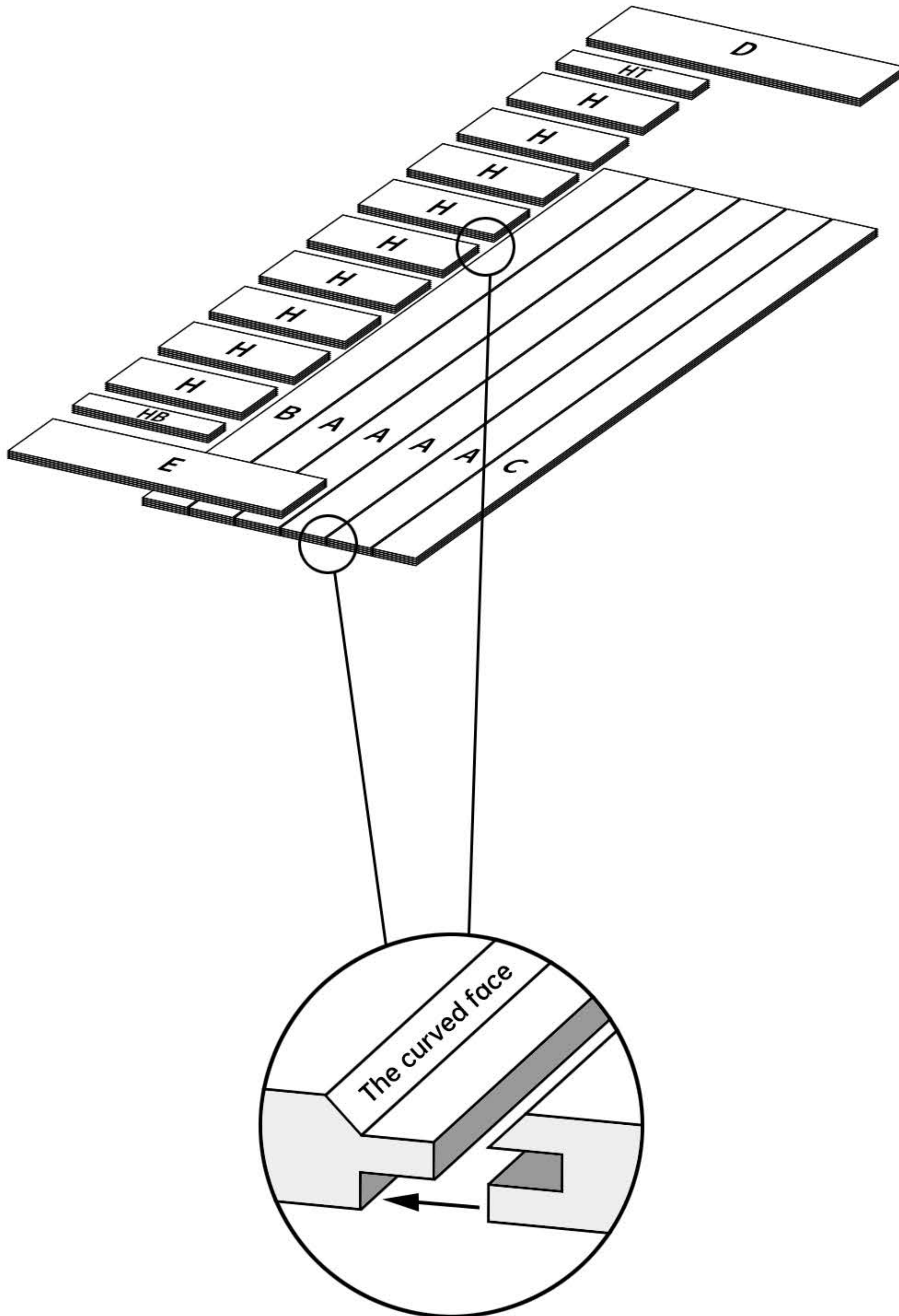
**STEP 01 : Parts Included**

Remarks: The quantity of middle planks will vary depending on the size of the product.



H Series

**STEP 02 : Combine lower planks**



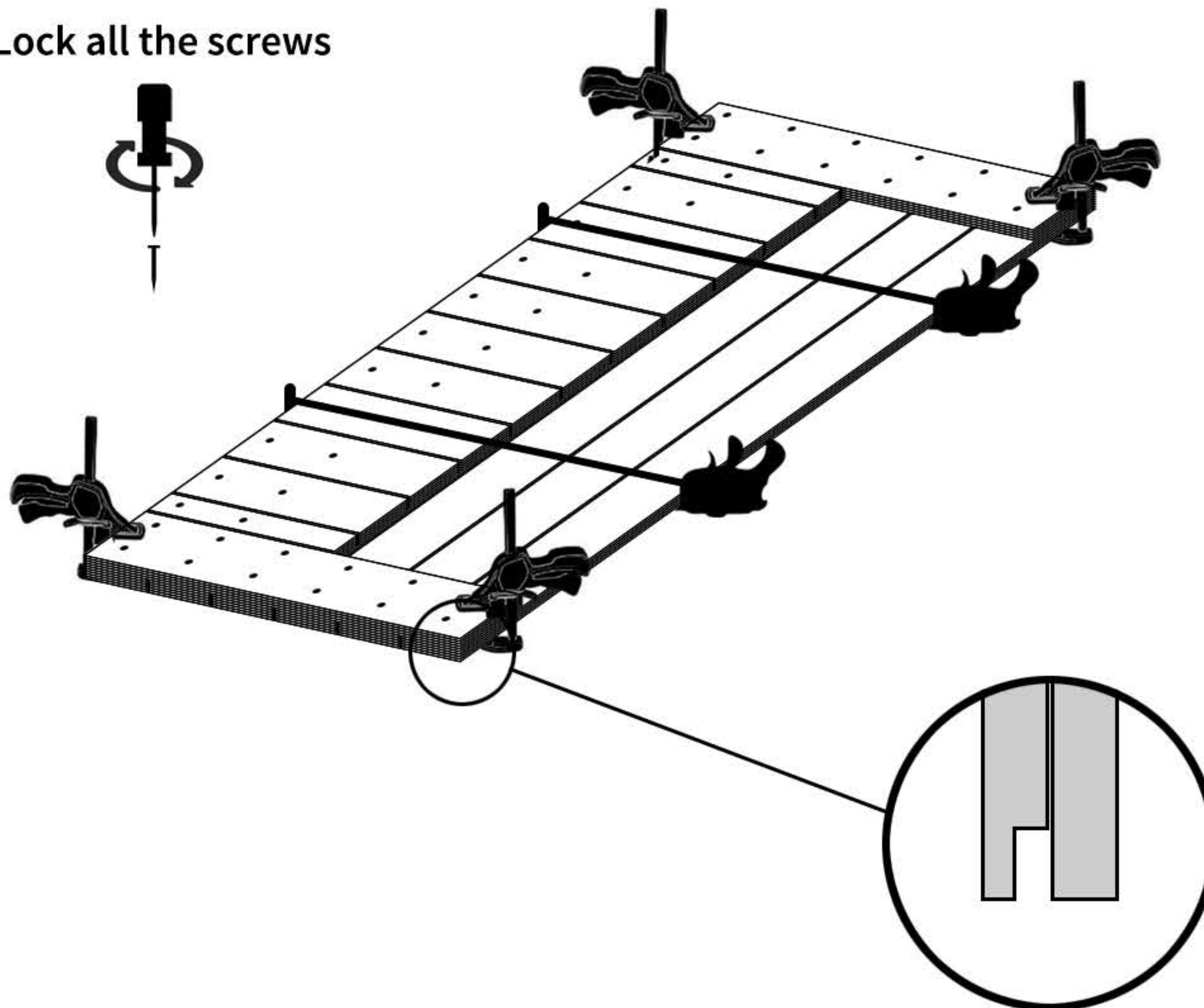
The curved face of the plank should be up.

H Series

**STEP 03 : Combine upper and lower planks**

Once all planks are flush and square, secure the top and bottom planks with the screws provided. Using the clamps secure all 4 corners. With the pre-drilled holes as your guide, drill (1/8"bit) a shallow pilot hole into 4 corner holes. Do not drill completely through the door plank. Using a screwdriver insert screws into the 4 corner pre-drilled holes. Continue process with the remaining screws. Make sure all screws are installed and secure. It is important to check that all planks are still flush and square as you go.

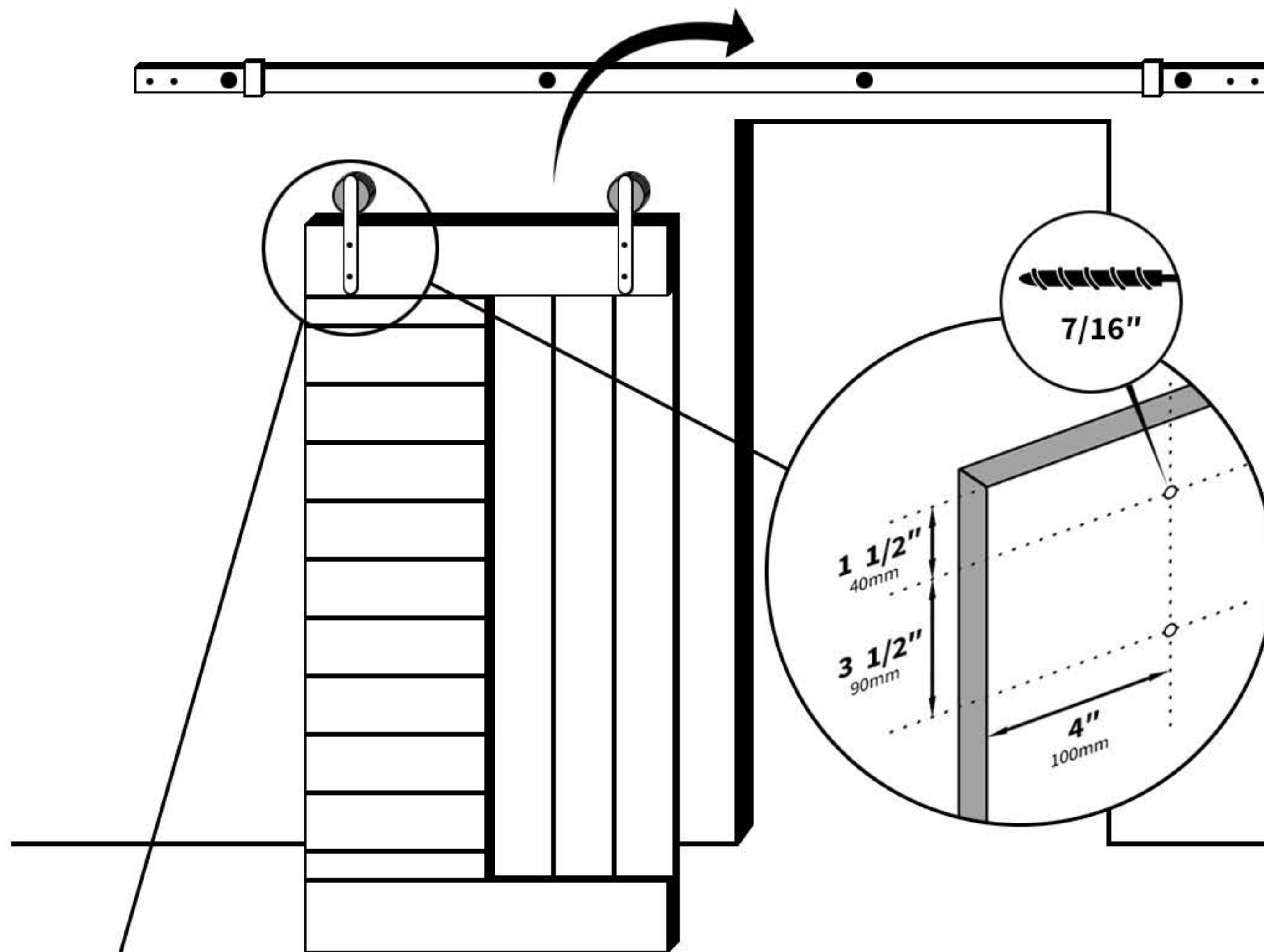
Lock all the screws



Remarks: The quantity of screw holes and screws will vary depending on the size of the product.

H Series

**STEP 04 : Installing door and track**



Screw holes door hangers are not pre-drilled on door. To install door hangers, you need to drill holes on your door.