

Assembly Instructions

Caution : You must read this before you proceed

Sets often ship in multiple boxes and may arrive a day or two apart.

Care & Maintenance



- Not for commercial use. For residential use only.



- Prolonged exposure to rain may cause rusting which can stain floors.



- Do not put hot items directly on furniture surface.



- Do not clean furniture with harsh cleansers or polish.



- To obtain the longest lifespan of your outdoor products, minimizing exposure to direct sunlight is recommended.



- Children should not climb or jump on the furniture.



- Do not write on furniture without a padded barrier to protect the surface.



- To obtain the longest lifespan of your outdoor products, avoid extended and lengthy exposure to rain, snow, and direct sunshine. Whenever possible cover the product and /or place under patio or awnings.



- Stains may be removed with mild soap solution and damp cloth.



- Keep away from sources of ignition.







- Dust and pick-up spills using a clean, non-colored, lint-free cloth.

Barstool



Part List

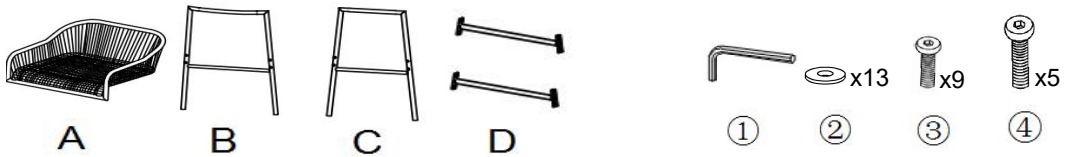
Label	Picture	Description	QTY
A		Seat	1
B		Front Leg	1
C		Back Leg	1
D		Support Bar	2






Hardware

Label	Picture	Description	QTY
①		Allen Wrench	1
②		Washer	13
③		Bolt (M6*15mm)	9
④		Bolt (M6*35mm)	5

Assembly Preparation

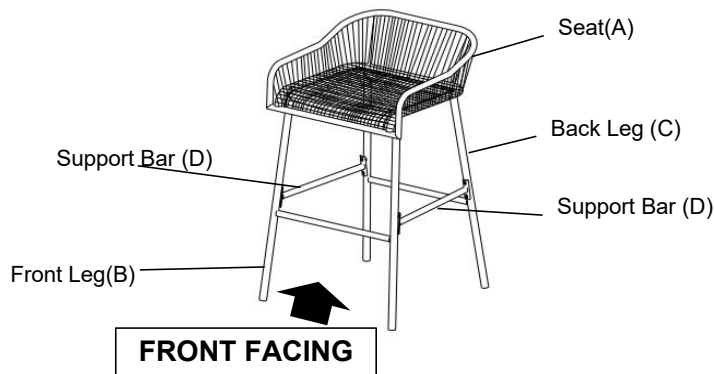
Before Beginning Assembly:



-  • Read instructions, cover to cover-
-  • Have 2 adults on hand for assembly-
-  • Do not assemble on flooring or carpet-
-  • Assemble on a clean non-marring surface (packing foam)-
-  • Save all packaging until finished-

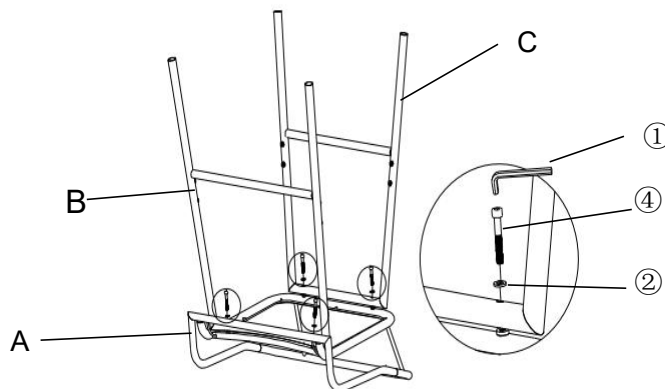
Assembly Steps

Overview



This Barstool has multiple parts and may require up to 30 minutes to assemble. To give you an overview of the Barstool parts, the above picture is to help you put the various parts into perspective. Please read through the instructions below to familiarise yourself with the parts and steps before assembly.

Step 1



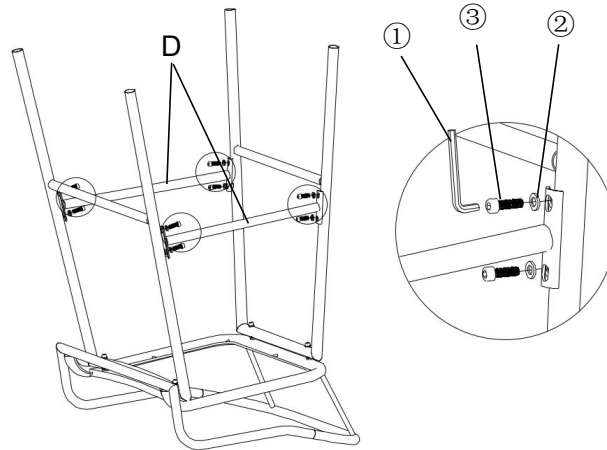
Open the carton, and place all parts on a clean, non-marring surface.

Attach the Front Leg (B) to Seat (A) using Bolts (4) and Washers (2) with Allen Wrench (1) as shown above.

Attach the Back Leg (C) to Seat (A) using Bolts (4) and Washers (2) with Allen Wrench (1) as shown above.

Do not fully tighten the Bolts.

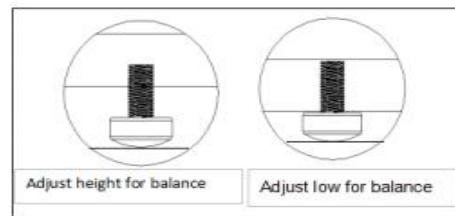
Step 2



Attach the Support Bar (D) to Front Leg (B) and Back Leg (C) using Bolts (3) and Washers (2) with Allen Wrench (1) as shown above.

Tighten Bolts fully in a sequential manner after all Bolts are in place.

Step 3



Stand the Barstool up.

Place the Chair on a level surface to check for wobbles.

If the Barstool wobbles, adjust the Levelers on the bottom of the Legs to make it level.

Step 4



The Barstool is ready for use.

The Barstool can only be used on a flat, level surface.