

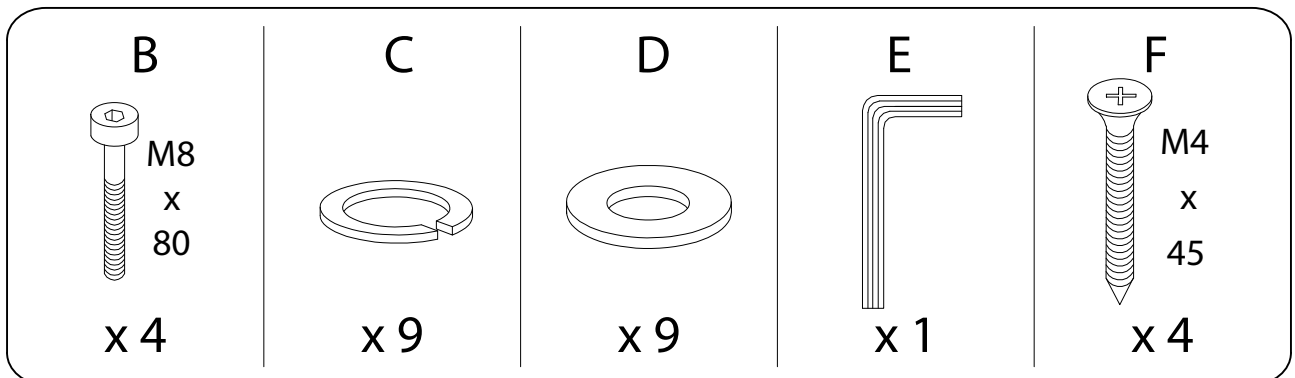
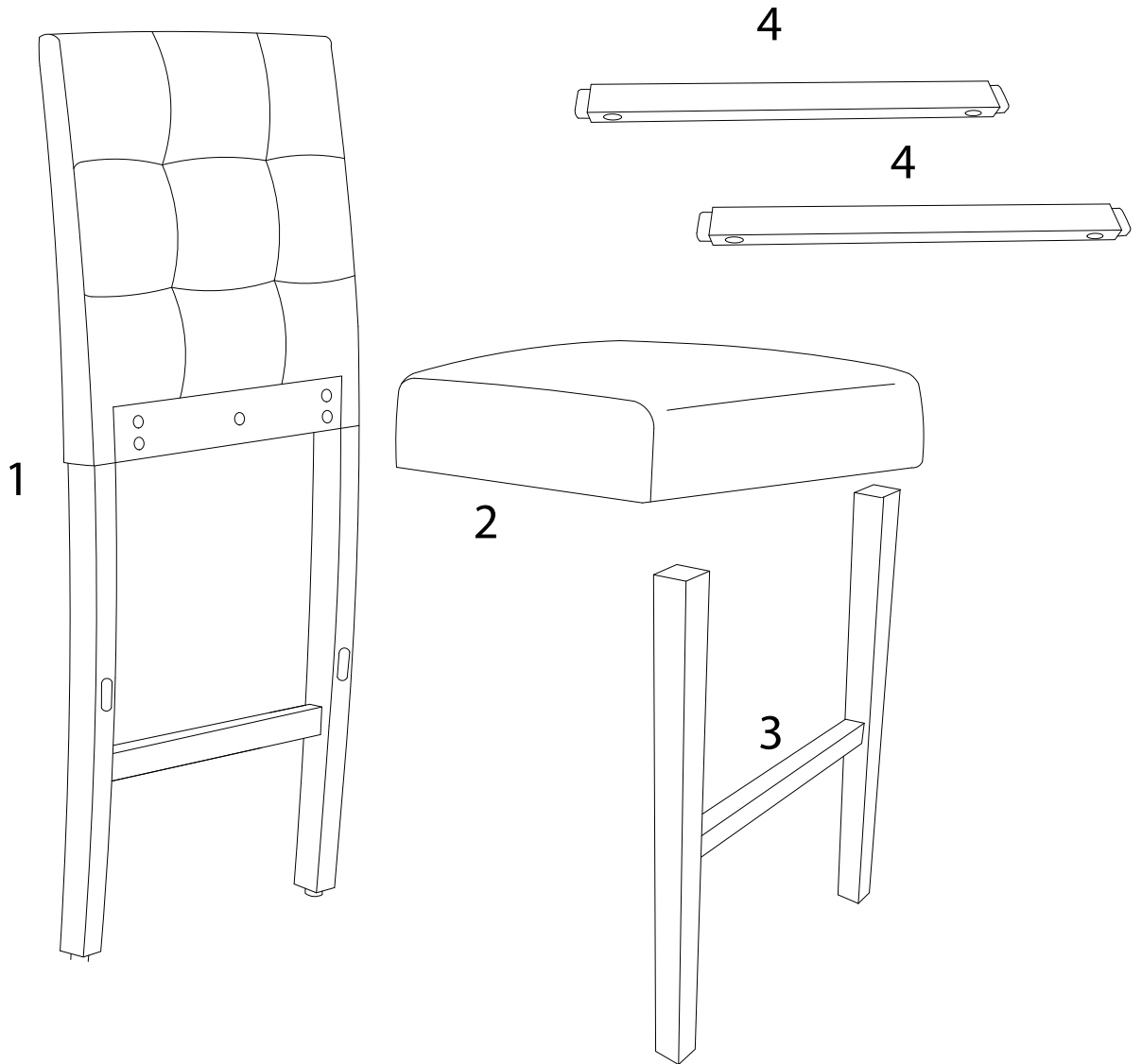
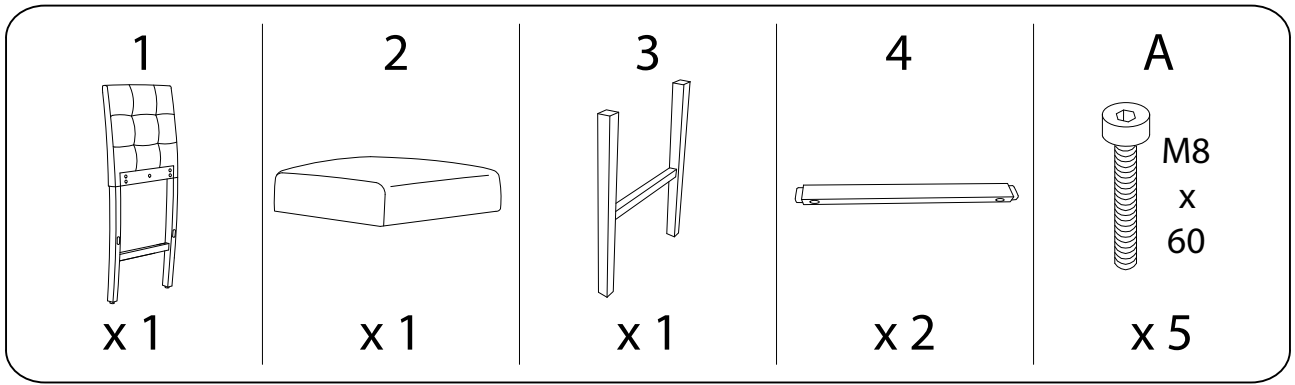
Assembly instructions for the chair, including tool requirements, time, and person count.

Tools: An icon shows an Allen key and a screwdriver inside a circle, and a power drill with a diagonal line through it, indicating that a power drill is not required.

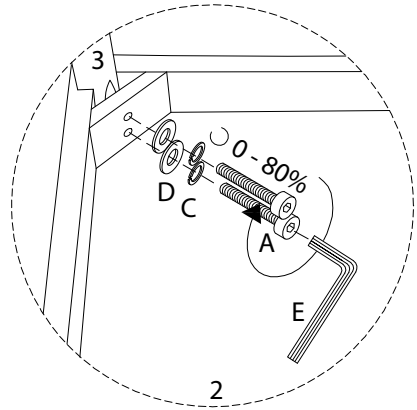
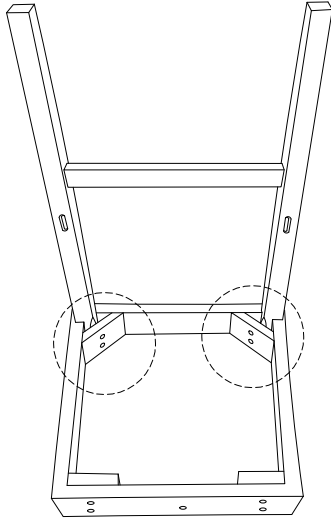
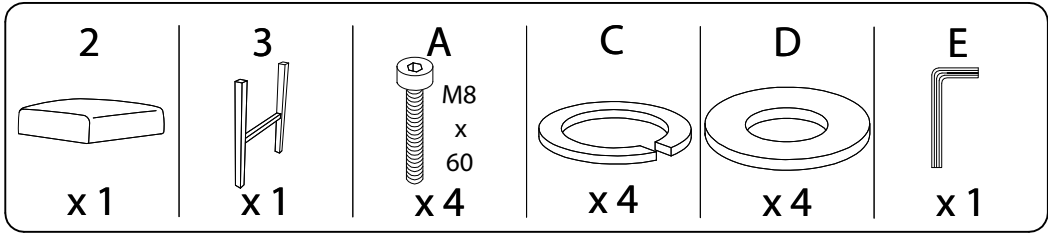
Warning: A warning triangle with an exclamation mark is positioned above the tool icons.

Time: A clock icon is shown next to the text "20'", indicating the estimated assembly time.

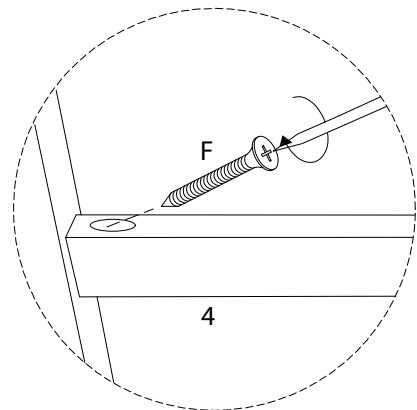
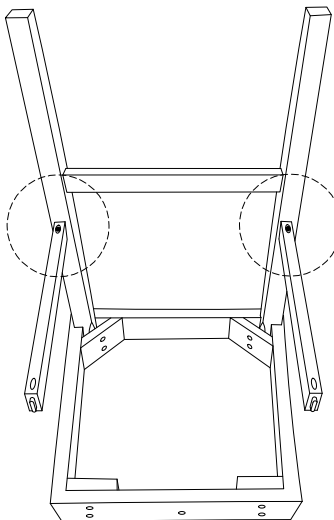
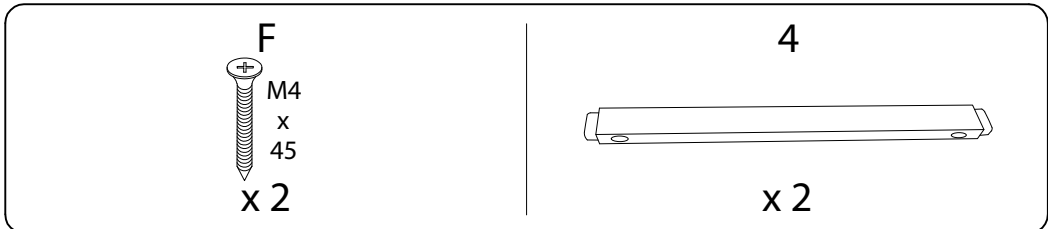
Person Count: An icon of a person is shown next to the text "1", indicating that one person is required for assembly.



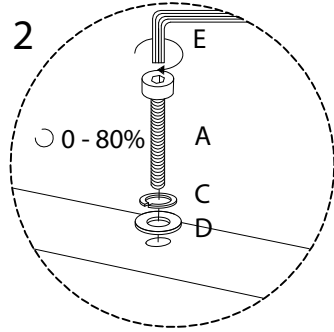
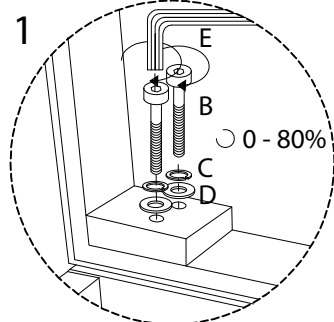
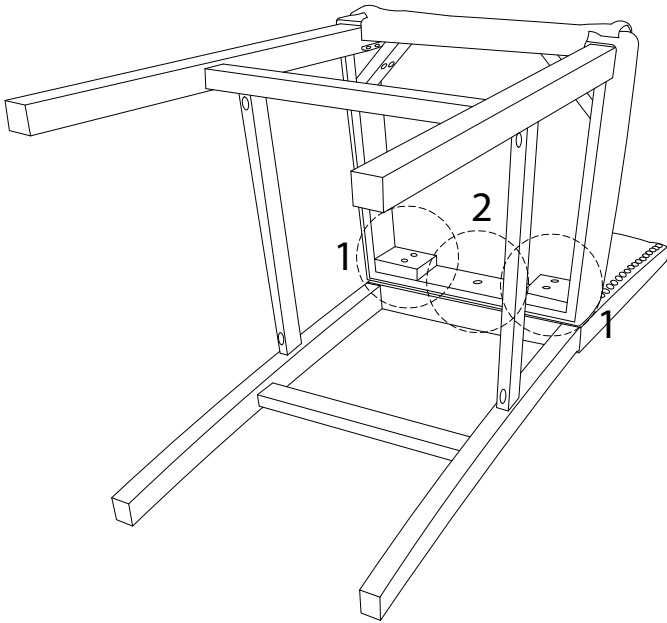
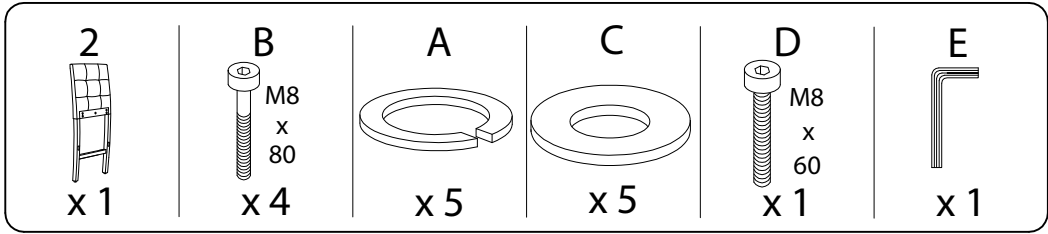
1



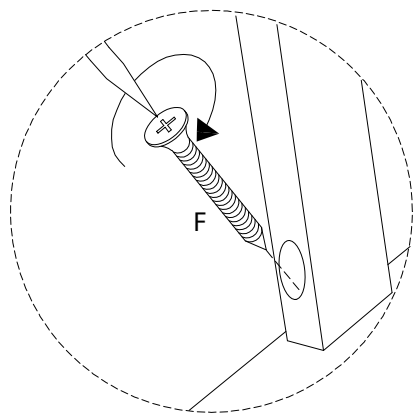
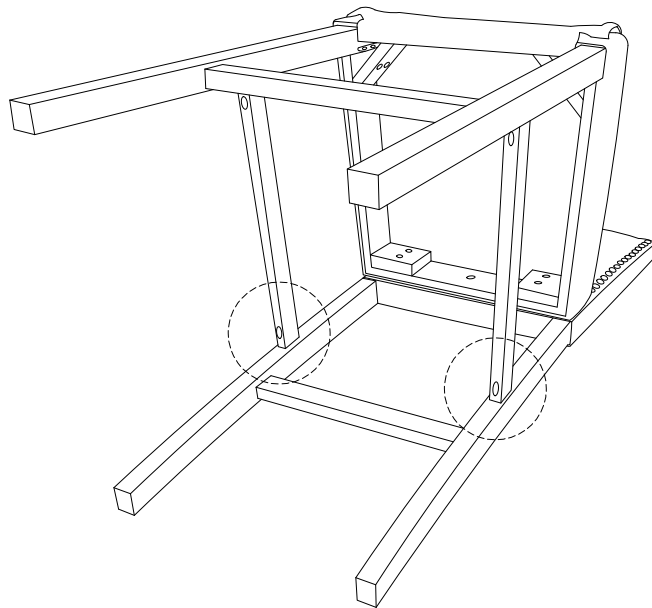
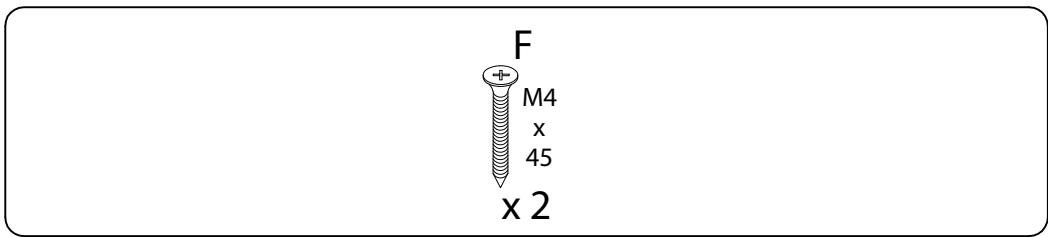
2



3



4



5

E
x 1

