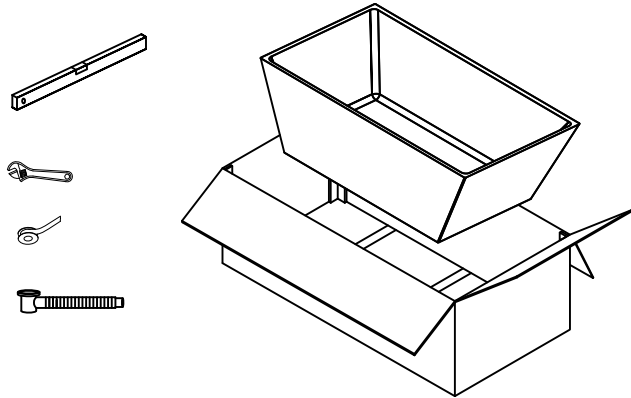


# FREE STANDING BATH USAGE MANUAL

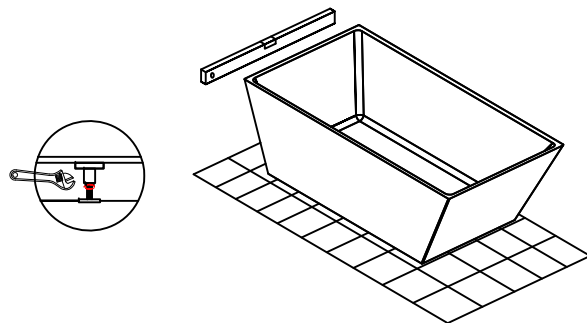
## 1. Remove the Free Standing Bath from the carton.

Ensure that the Free Standing Bath does not come into contact with rough surfaces. Rough surfaces will scratch your Free Standing Bath. Always ensure that the Free Standing Bath is placed on cardboard or carpets during installation. Place the Free Standing Bath in position for installation.

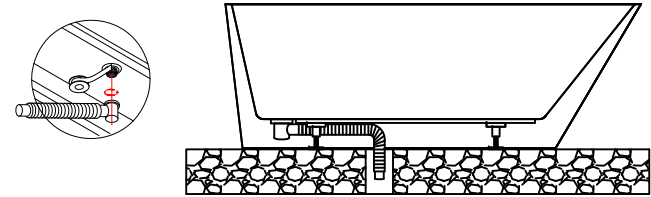


## 2. Adjust the self-levelling feet such that the Free Standing Bath is level.

Only if the Free Standing Bath is level will all water drain to the waste outlet. Please ensure legs are adjusted in line with the base of bath. Check that bath sits flat.



## 3. Connect the Free Standing Bath to the waste outlet.

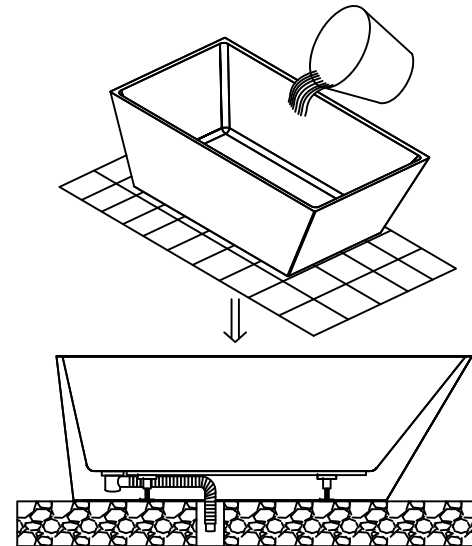


## 4. Finally you need to do a final test for drainage.

Ensure that the thin masking plastic adhered to your bath during manufacture has been removed.

Fill the Free Standing Bath with water and check that ALL the water flows freely to the waste outlet.

A small amount of water may pool owing to surface tension.



## 5. Apply a thick bead of silicone within bath outline allow to set 24 hours.

This installation guide, the installation of waste connection should be only suitably by qualified person.