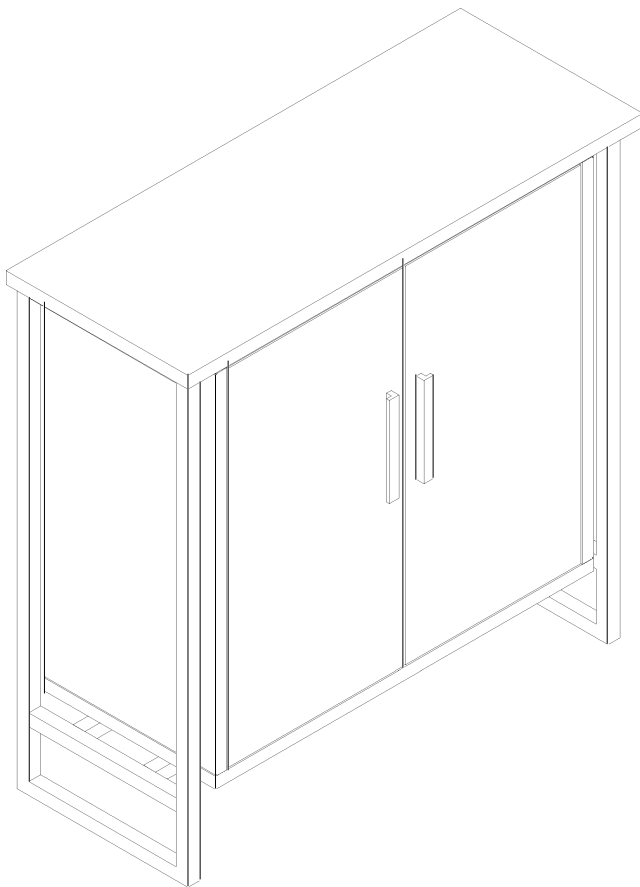


Assembly Instructions

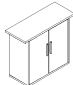







Cabinet

Note:

A packet with complete set of hardware can be found by pulling the red ribbon that's easily visible upon opening the box.



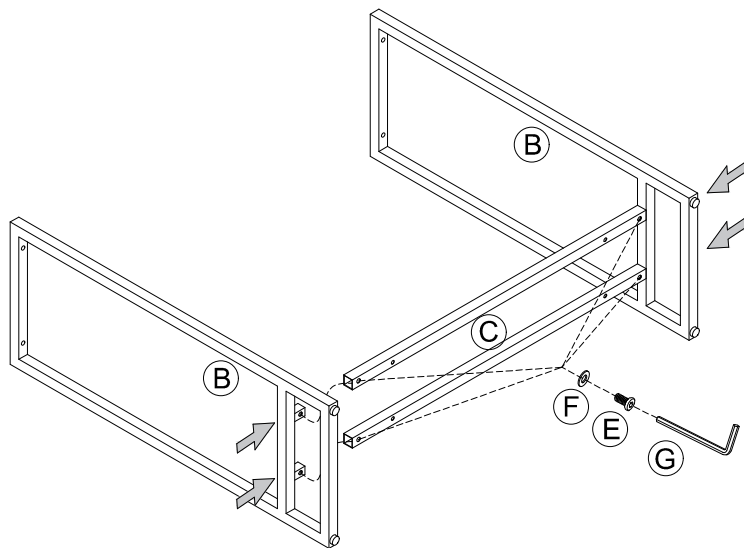
Parts and Hardware List

| | | | |
|---|------------------|---|----|
| A | Cabinet |  | 1 |
| B | Side Frames |  | 2 |
| C | Bottom Rails |  | 2 |
| D | Long Bolts |  | 8 |
| E | Short Bolts |  | 4 |
| F | Flat Washers |  | 12 |
| G | Allen Wrench |  | 1 |
| H | Anti-tipping kit |  | 1 |

Step 1

1.1 Insert bottom rails (C) into one side frame (B) tubes, push to make sure not to leave any gap before fastening with 2 short bolts and flat washers.

1.2 Do the same step as 1.1 on the other side frame.

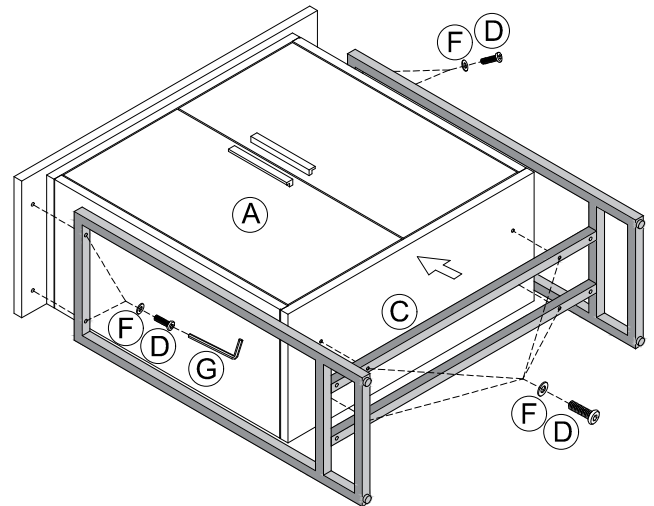


Step 2

2.1 Place the cabinet with doors facing up on a soft surface.

2.2 Fasten the bottom rails of assembled side frames to the cabinet's bottom panel with four long bolts and washers. Do not tighten.

2.3 Fasten the side frame into top panel with four long bolts and washers. Now tighten bolts on step 2.2.



Step 3

3.1 Place the assembled piece upright and adjust the levelers at the bottom of legs if needed.

3.2 Fasten one part of the anti-tipping kit onto pre-drilled holes at the back of the assembled piece and another part into the wall. Loop the strap through the holes of the fastened parts and pull its end to tighten.

