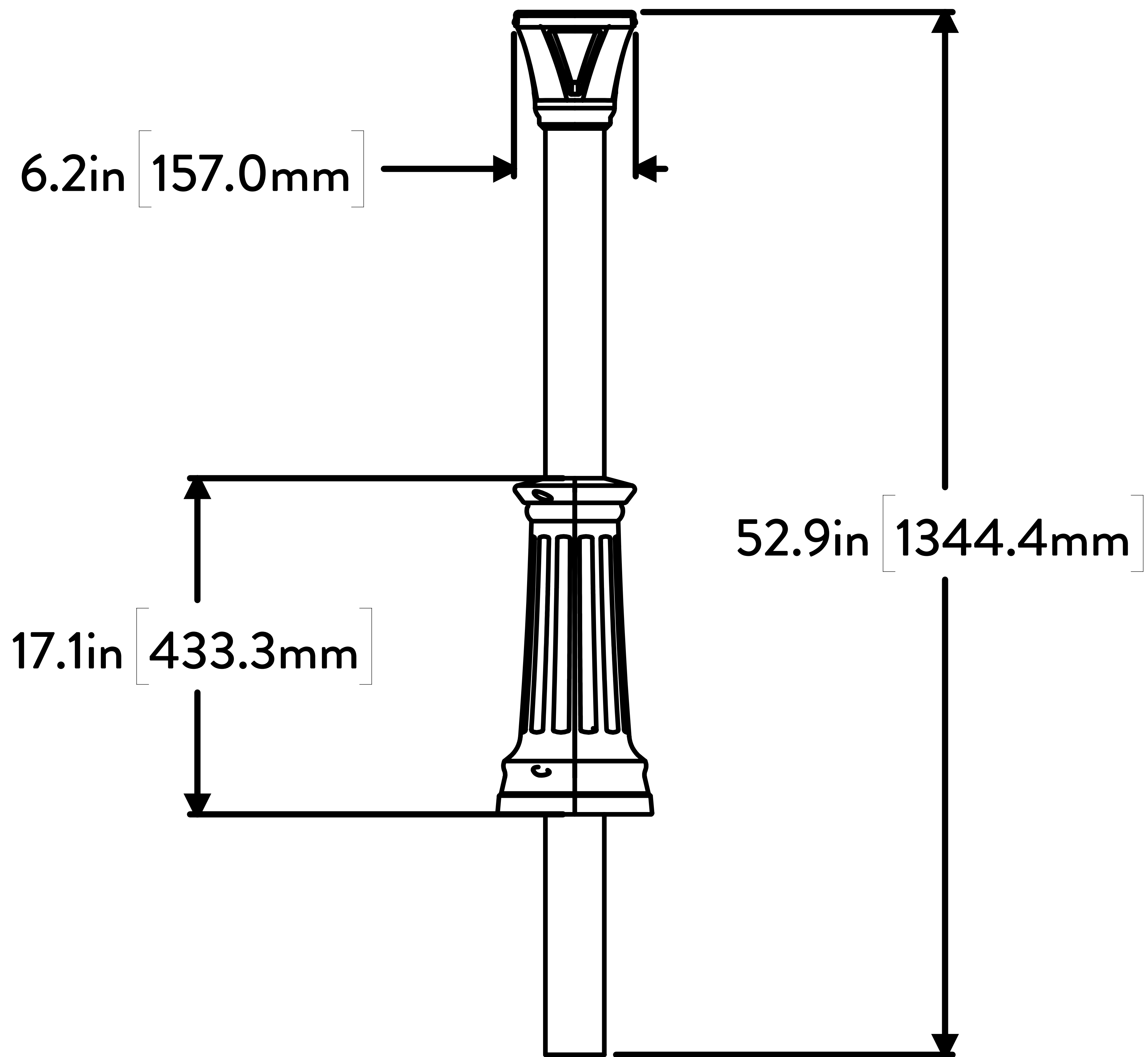
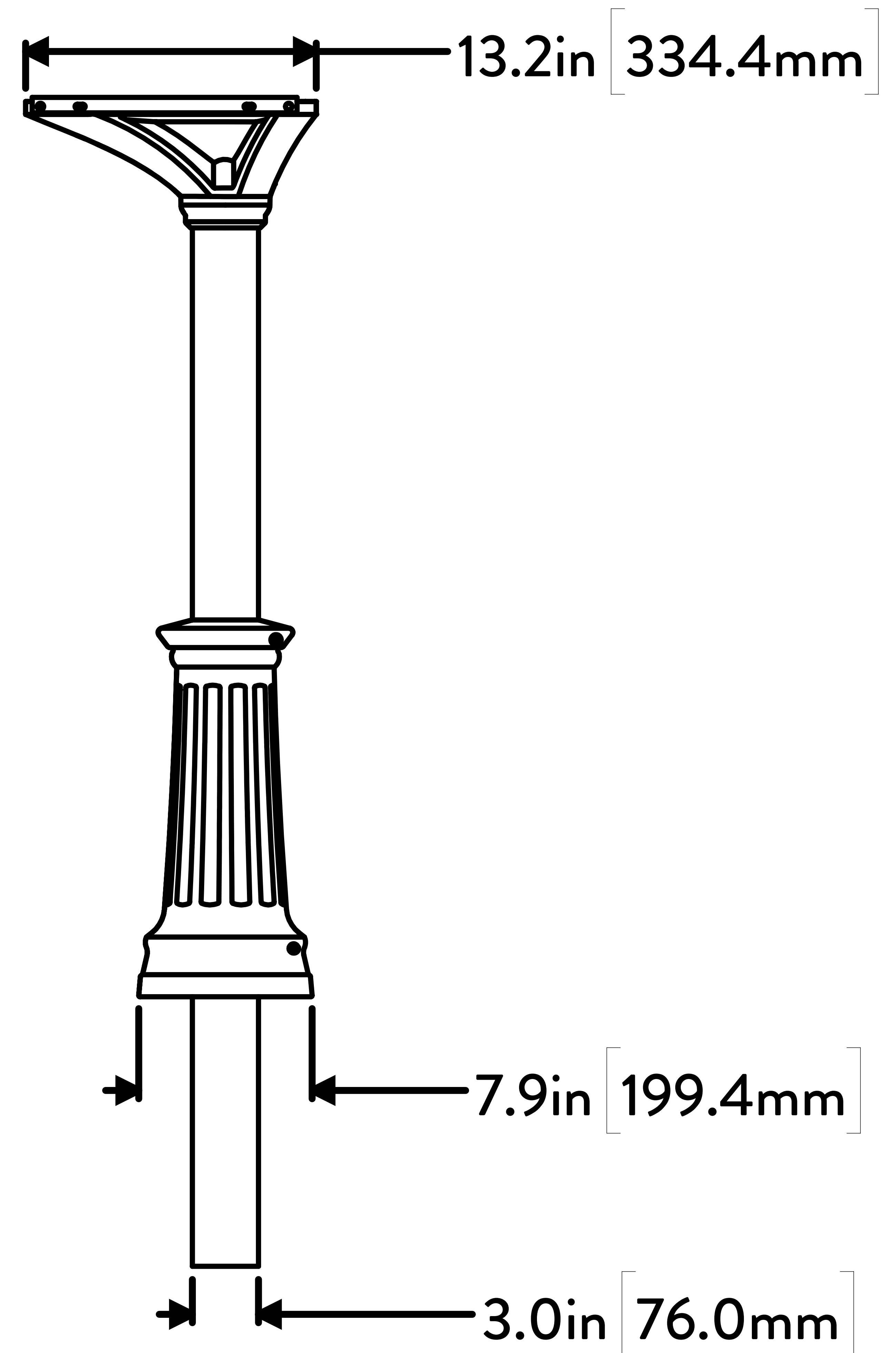


# FRONT VIEW



# SIDE VIEW



# MOUNTING HOLE PATTERN

