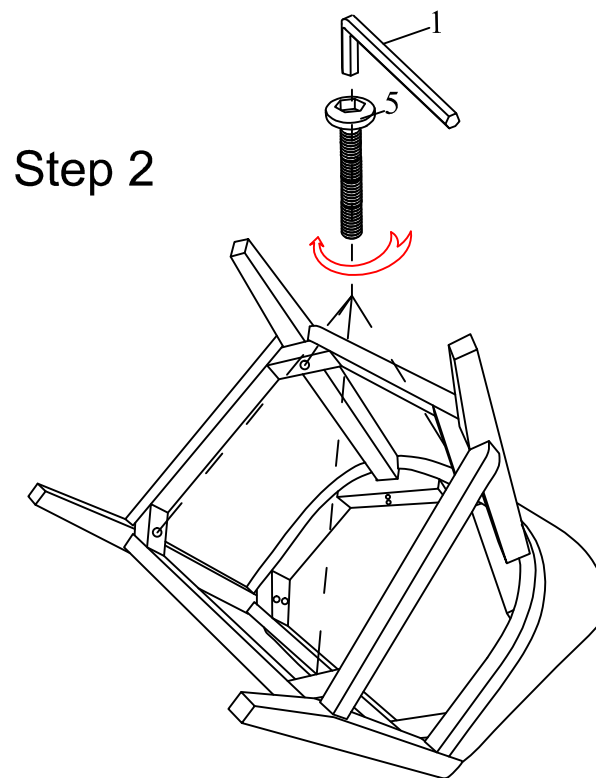
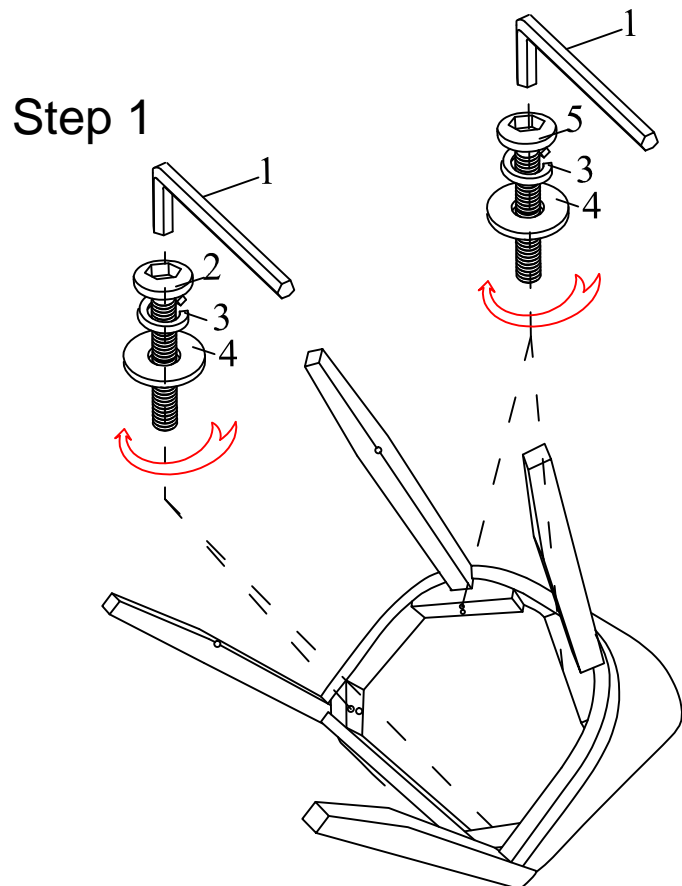
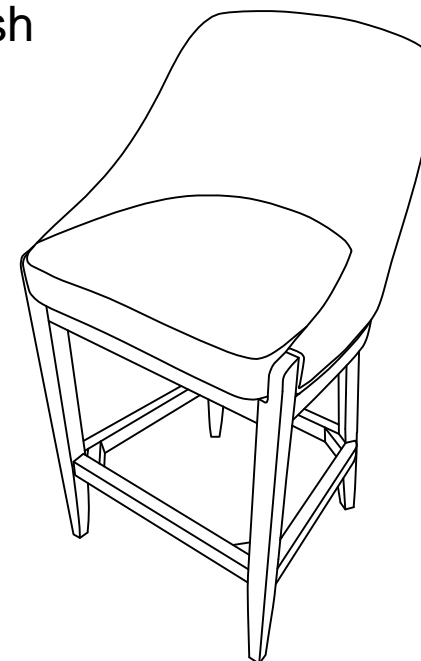


# ASSEMBLY INSTRUCTIONS








Finish



Please leave bolts loosened until all bolts are placed before tightening completely

## Hardware

1		"L" Wrench	1pc
2		Bolt 8*60mm	4pcs
3		Spring Washer	8pcs
4		Flat Washer	8pcs
5		Bolt 8*45mm	8pcs