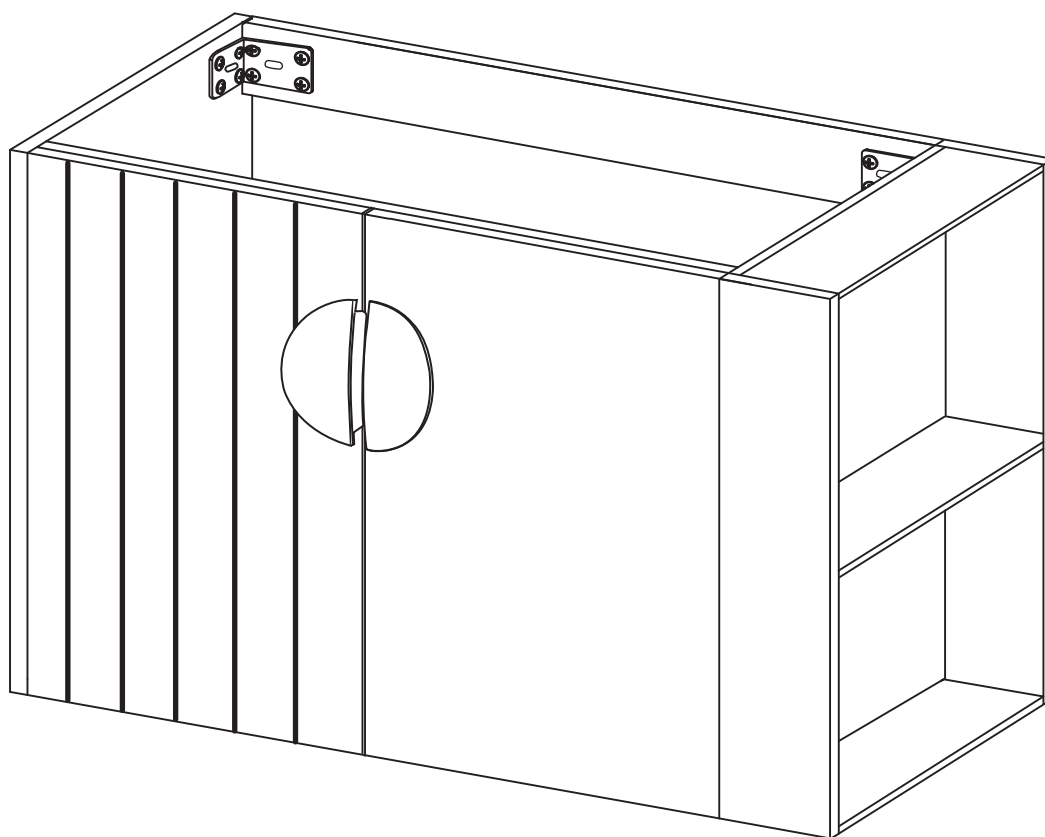
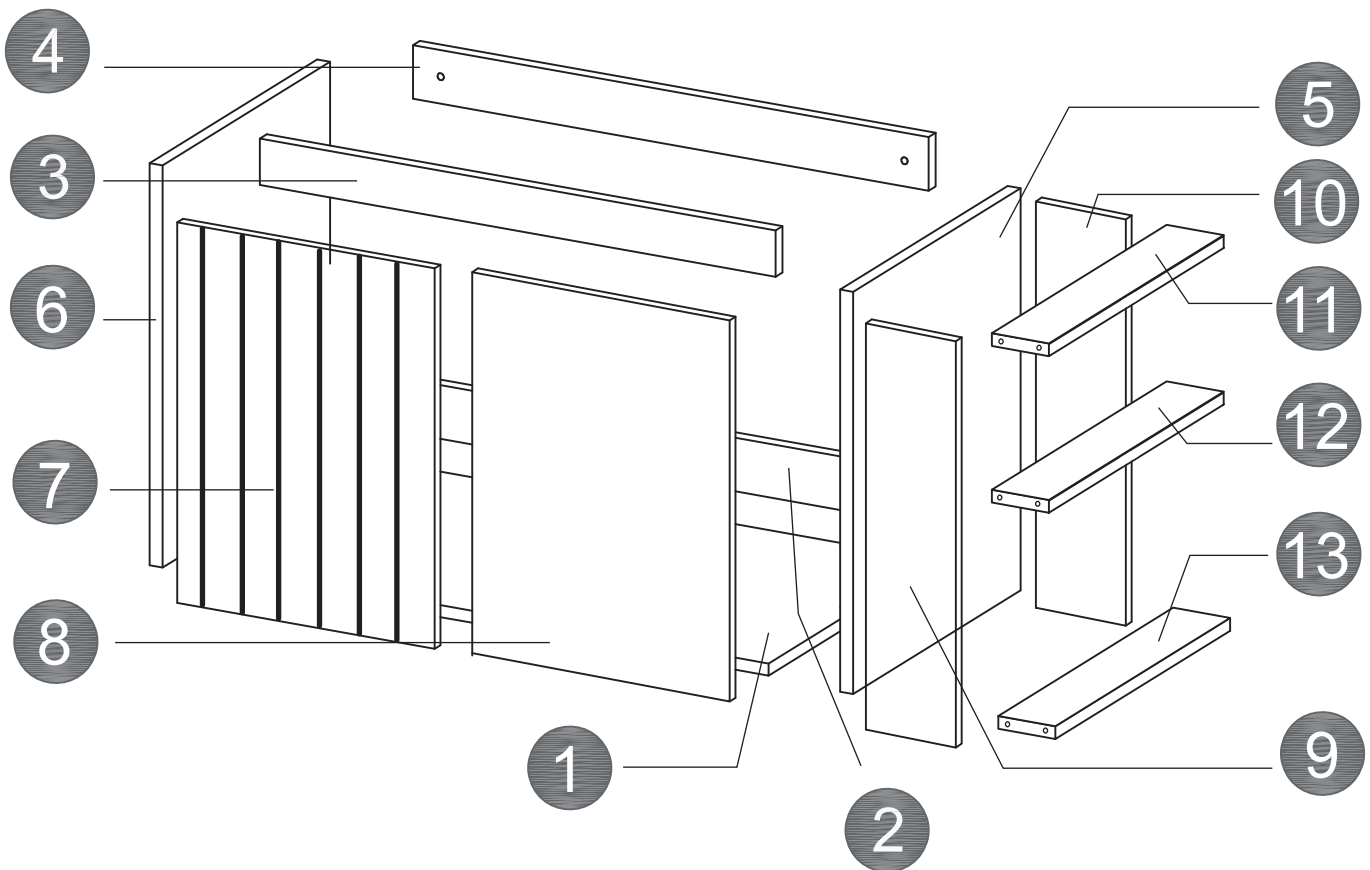




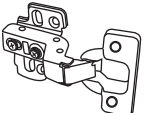

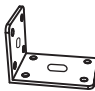




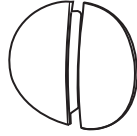
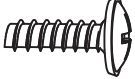
Assembly Instructions



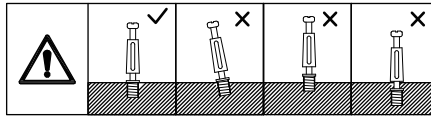
HARDWARE LIST

- ① X1
- ② X1
- ③ X1
- ④ X1
- ⑤ X1
- ⑥ X1
- ⑦ X1
- ⑧ X1
- ⑨ X1
- ⑩ X1
- ⑪ X1
- ⑫ X1
- ⑬ X1



					
A = 38	B = 38	C = 4	D = 48	E = 2	F = 2
					
G = 2	H = 2	I = 2	J = 2	K = 5	

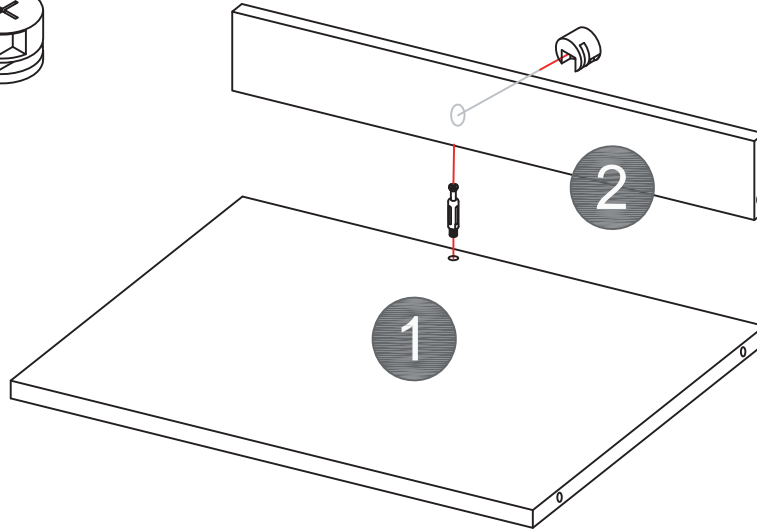
STEP 1



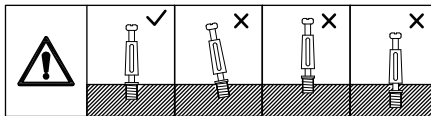
Note: Please make sure the screws are not too loose or too tight, or skewed.

A x1pcs 

B x1pcs 



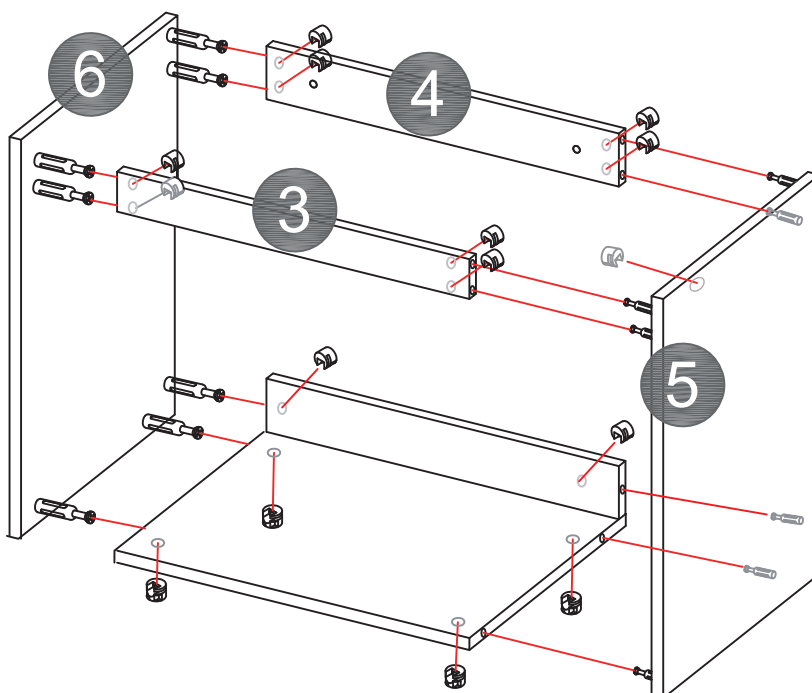
STEP 2



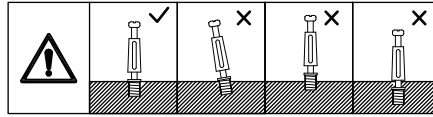
Note: Please make sure the screws are not too loose or too tight, or skewed.

A x14pcs 

B x14pcs 



STEP 3

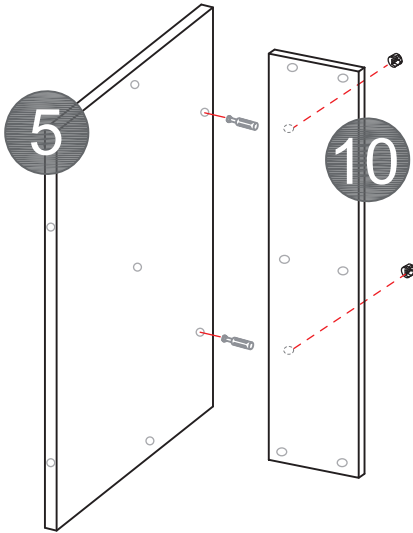


Note: Please make sure the screws are not too loose or too tight, or skewed.

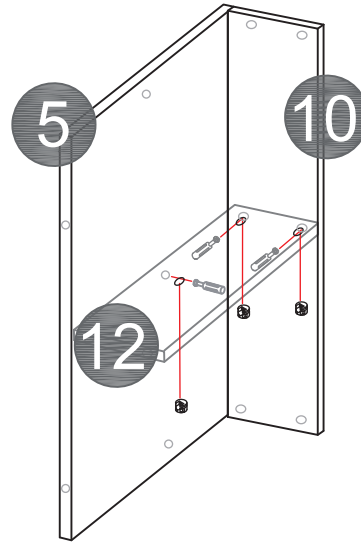
A x19pcs 

B x19pcs 

3-1

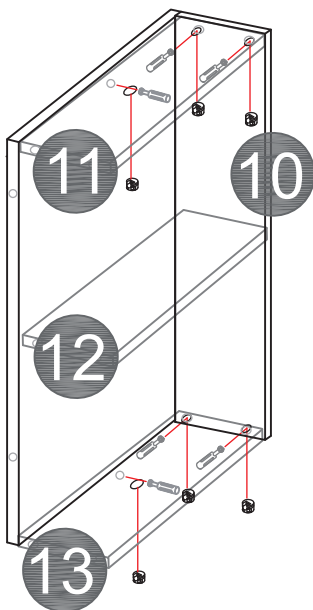


3-2

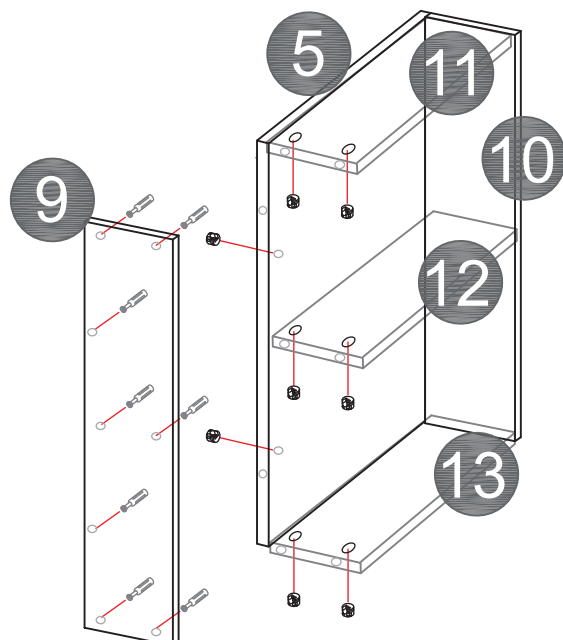


Please note that the holes on panels 11, 12, and 13 are facing down. Please ensure the correct orientation to avoid installation errors!

3-3

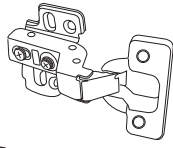


3-4

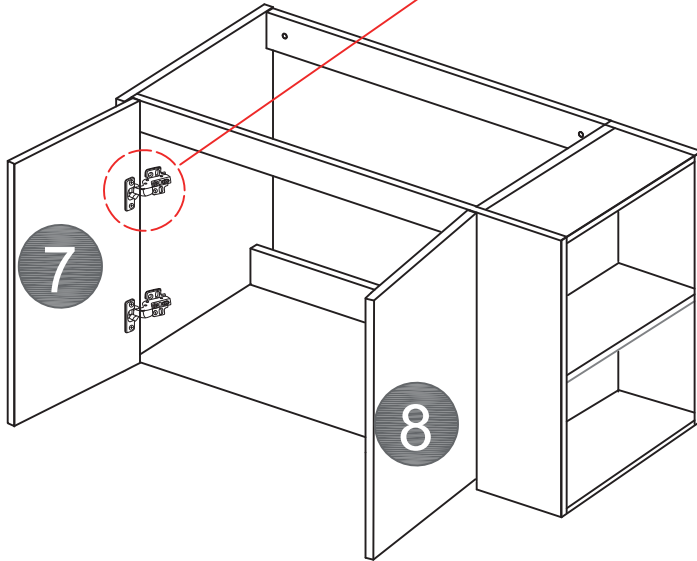
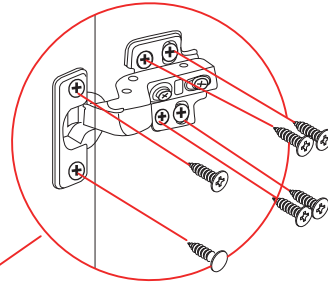


STEP 4

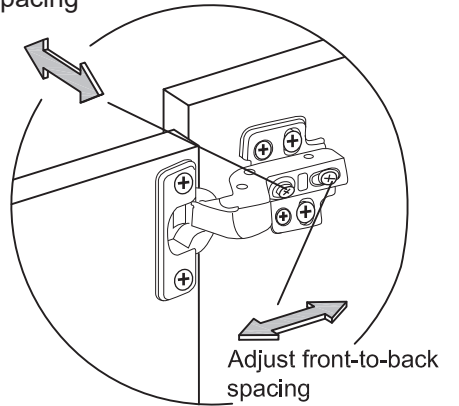
C x4pcs



D x24pcs



Adjust left-to-right spacing



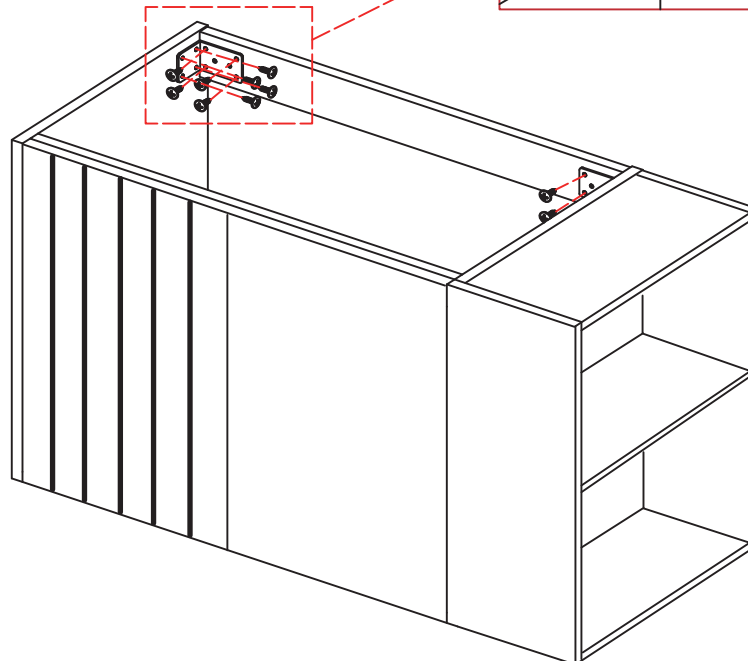
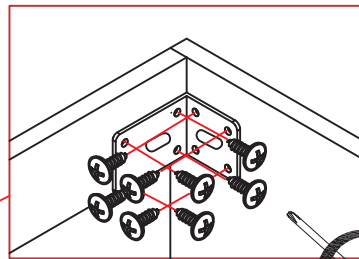
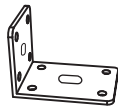
Adjust front-to-back spacing

STEP 5

D x16pcs

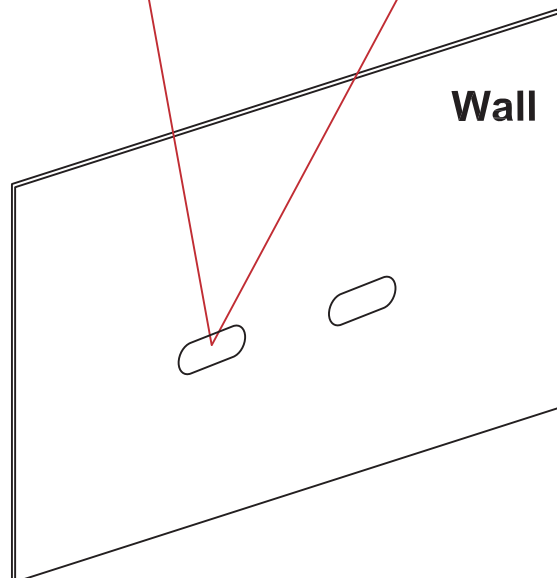
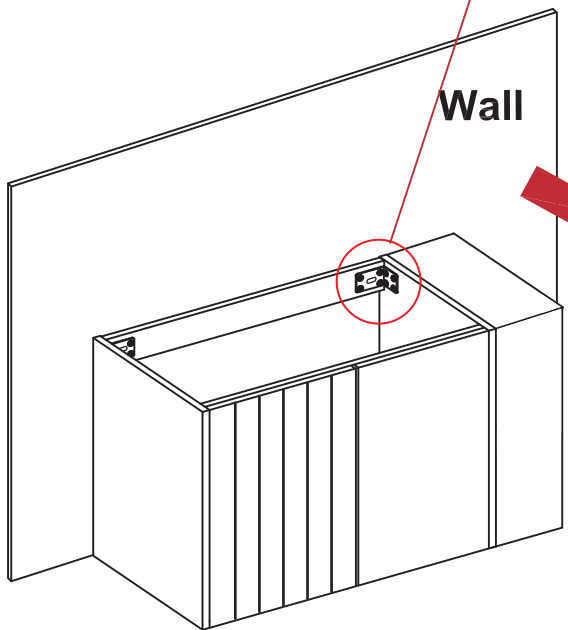
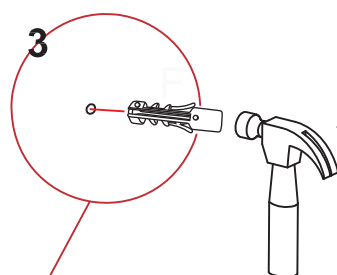
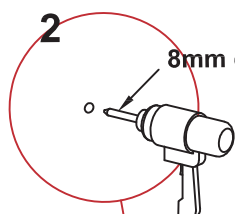
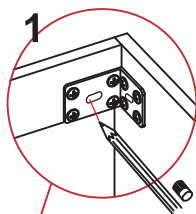


E x2pcs



STEP 6

F x2pcs

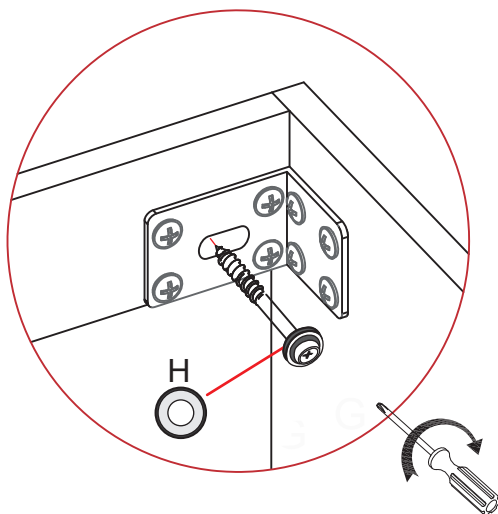
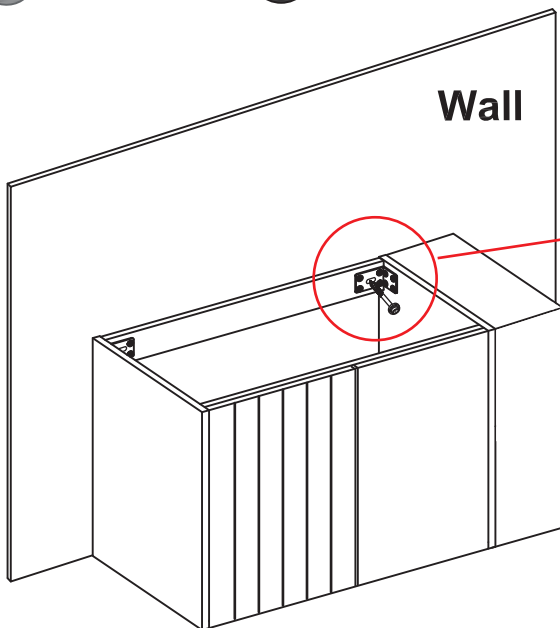


STEP 7

G x2pcs

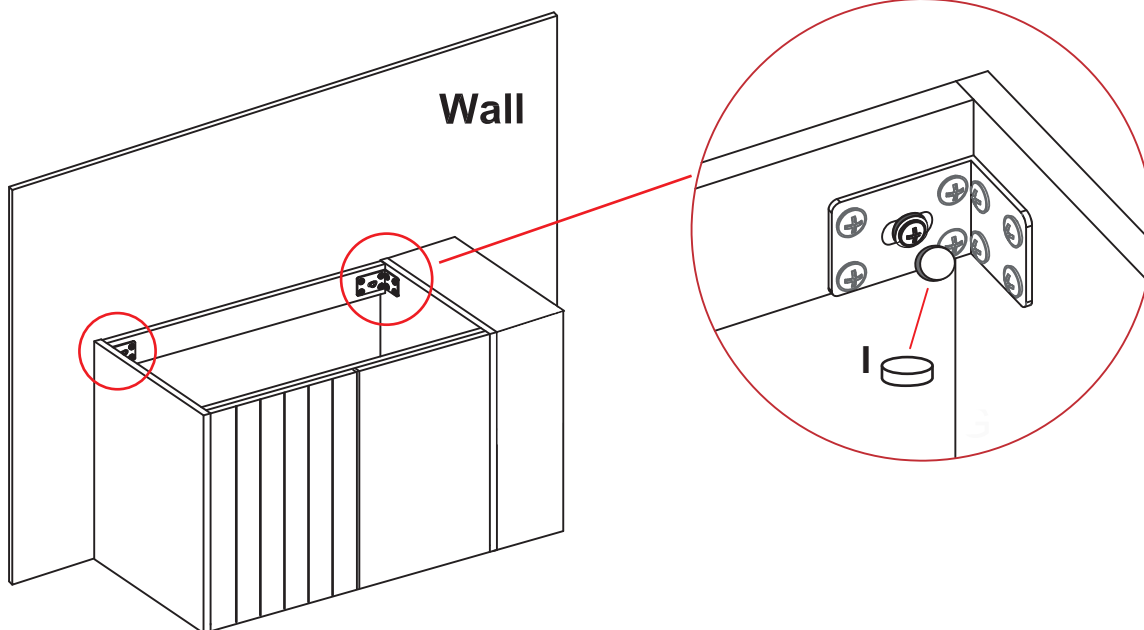


H x2pcs



STEP 8

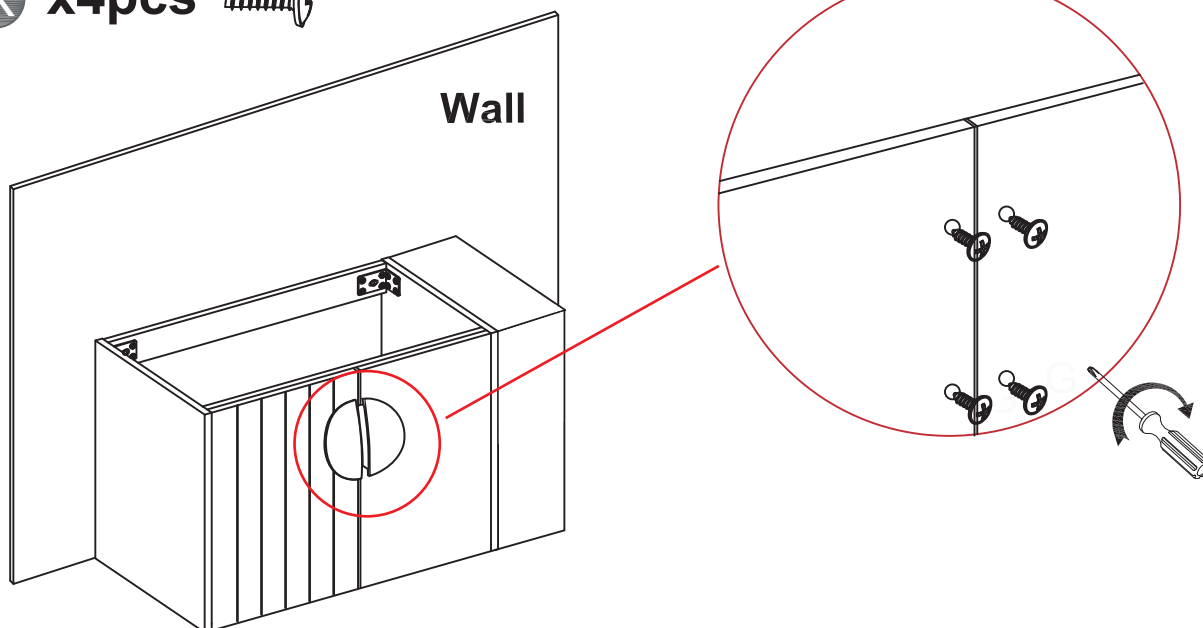
I x2pcs 



STEP 9

J x2pcs 

K x4pcs 



Finish!