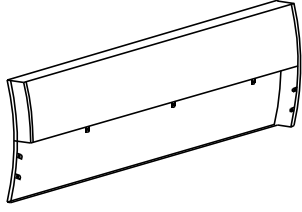
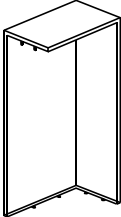
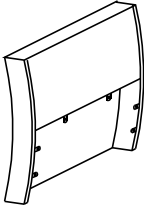
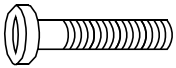
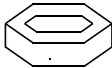

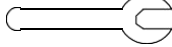



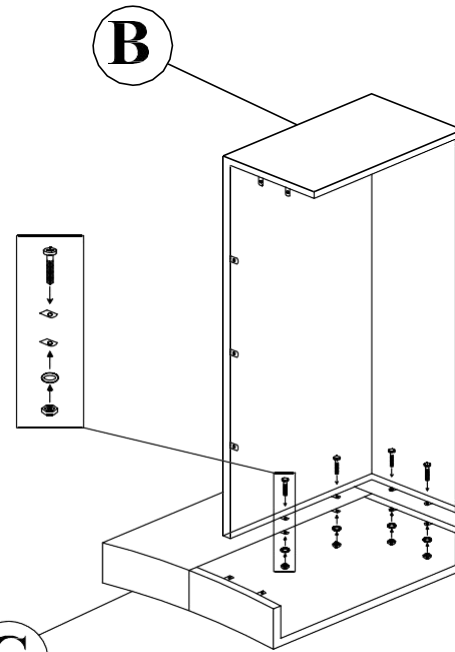
(SIDE SOFA)

ASSEMBLY INSTRUCTIONS

BEFORE YOU START ASSEMBLING YOUR FURNITURE:

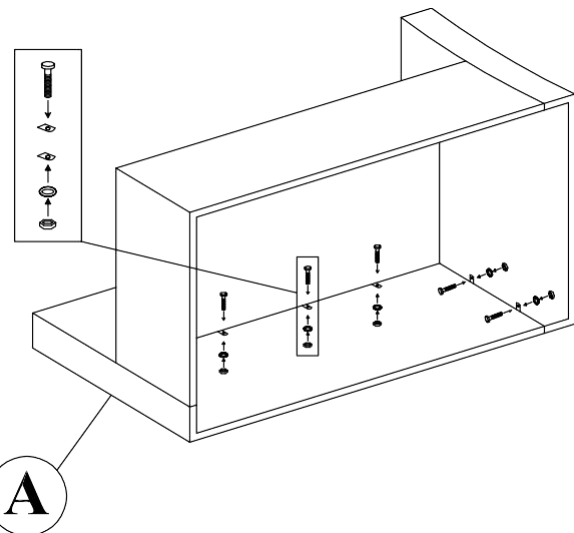
- CHECK THAT YOU HAVE ALL THE PIECES LISTED ON THE LEFT HAND SIDE.
- LAY A CLEAN SHEET ON A FLAT SURFACE BIG ENOUGH TO ASSEMBLE YOUR FURNITURE ON IN ORDER TO PROTECT YOUR FURNITURE.

A	1	
B	1	
C	1	
D	11	
E	11	
F	1	
G	1	
H	1	



1.

Attach side (C) to the sofa base (B). Do this by laying side (C) on the ground with the bolt brackets facing you. Then align the bolt brackets of the sofa base (C) with those in the sofa side (C) as shown in the diagram above. Insert bolt (D) through the bracket of the sofa base (B) and through the bolt bracket of the sofa side (C). Then secure with a washer (F) and a nut (E). Loosely tighten the nuts and bolts with the spanner (G) and allen key (H).



2.

Next, attach the sofa back (A) to the sofa base and sofa side (B+C). Lay the sofa back (A) down so that the bolt brackets are facing you. Then place (B+C) in position, as shown in the above image, so that the bolt brackets are all aligned. Insert bolt (D) through the brackets of the sofa base (B) and through the bolt brackets of the sofa side (C). Then secure with a washer (F) and a nut (E). Loosely tighten the nuts and bolts with the spanner (G) and allen key (H).

Once all of the nuts and bolts are in place, fully tighten all of the nuts and bolts used in the assembly using the spanner (G) and allen key (H).