
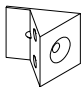
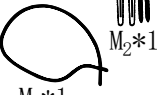

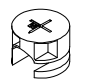
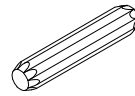

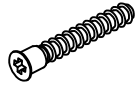


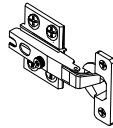


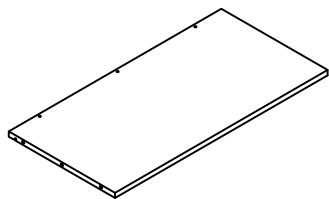


<p>K 3*12</p>  <p>8PCS</p>	<p>L</p>  <p>8PCS</p>	<p>M M_1*1 M_2*1 M_3*1</p>  <p>2PCS</p>
--	---	--

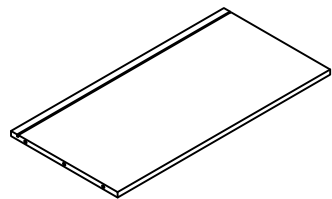
<p>A</p>  <p>12PCS</p>	<p>B</p>  <p>12PCS</p>	<p>C 8*40</p>  <p>8PCS</p>	<p>D 3.5*14</p>  <p>24PCS</p>	<p>E 7*50</p>  <p>3PCS</p>	<p>F</p>  <p>2PCS</p>	<p>G 4*20</p>  <p>2PCS</p>	<p>H</p>  <p>4PCS</p>	<p>I</p>  <p>12PCS</p>	<p>J M6*35</p>  <p>10PCS</p>
--	--	--	---	---	---	--	---	--	--

1



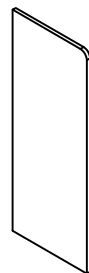
700*350 1PCS

2



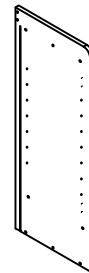
700*350 1PCS

3



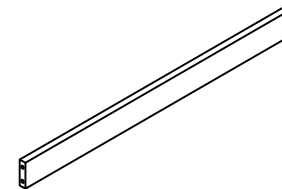
900*350 1PCS

4



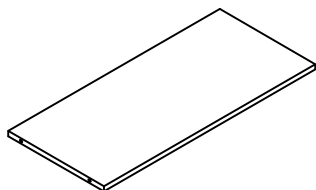
900*350 1PCS

5



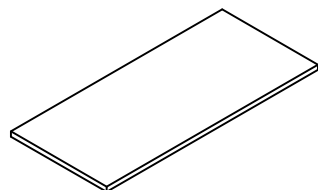
700*59 1PCS

6



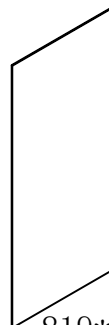
700*326 1PCS

7



696*315 3PCS

8



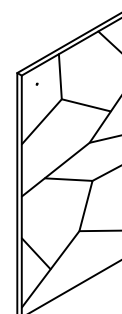
819*355 2PCS

9



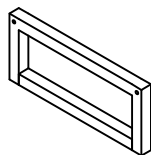
690*363 1PCS

10



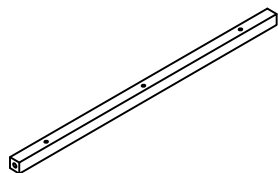
690*363 1PCS

11



348*150 2PCS

12



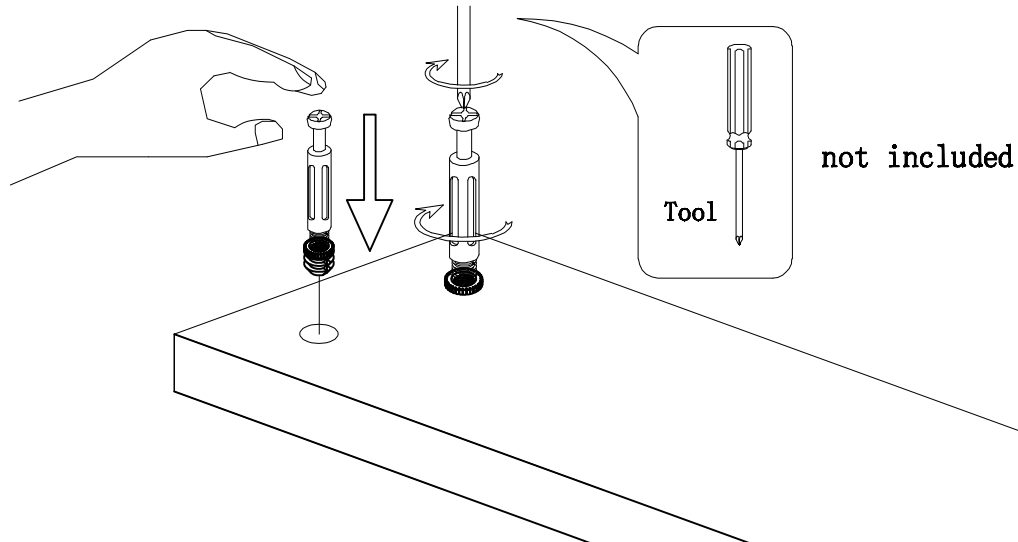
678*25 2PCS



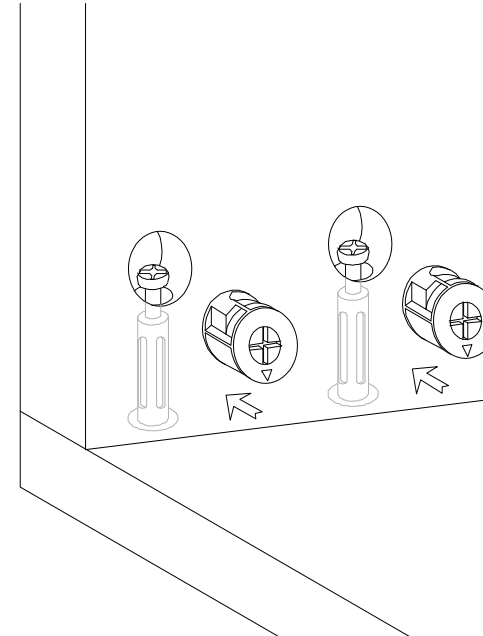
Hardware installation demonstration

NOTE: Please make sure "A" hardware tightened and can't be pulled out!

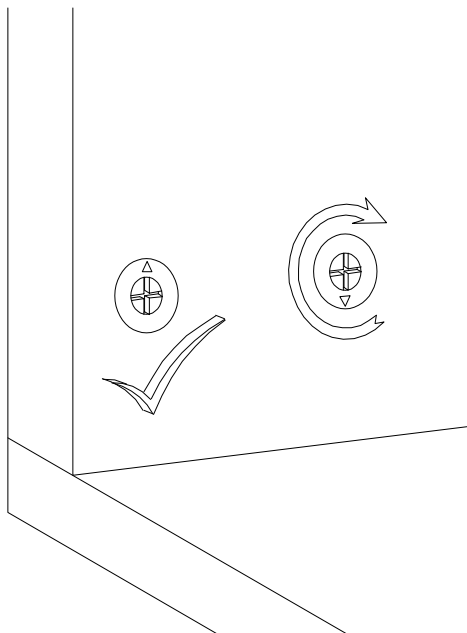
I



II



III

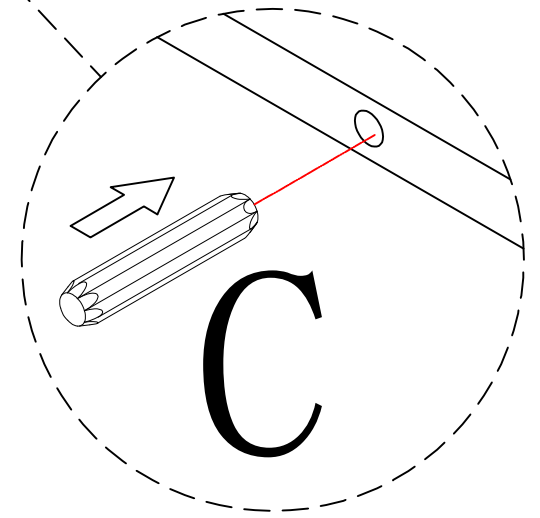
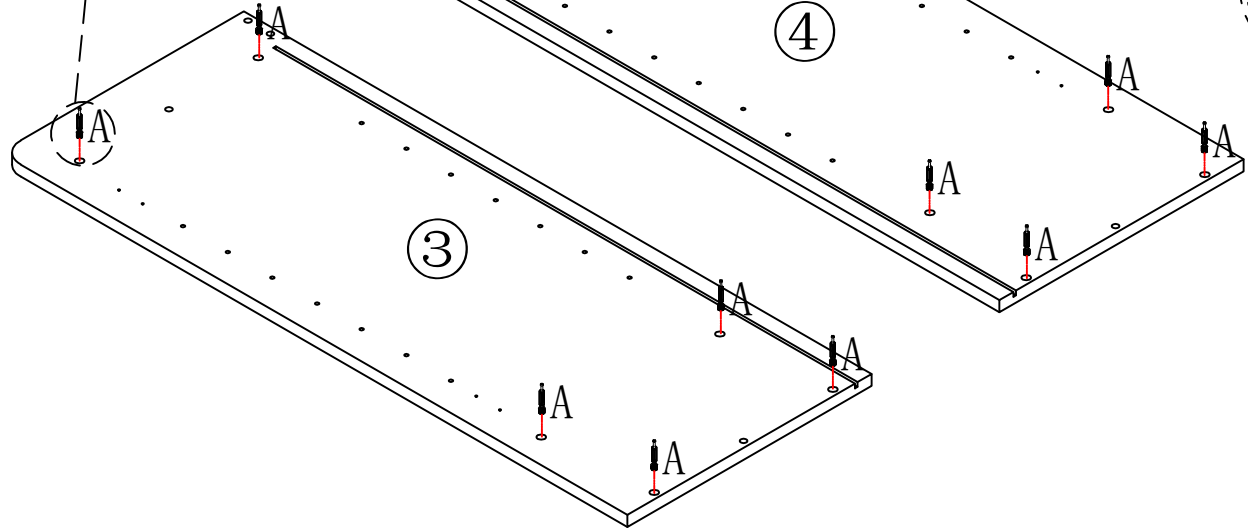
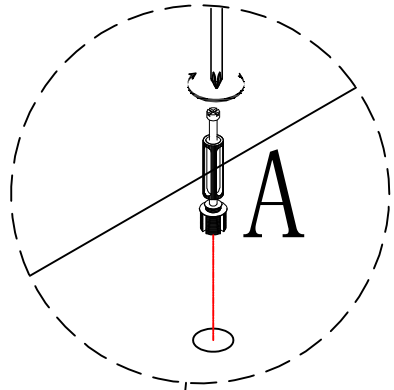



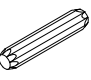
IV



Scan QR code for assembly video

①

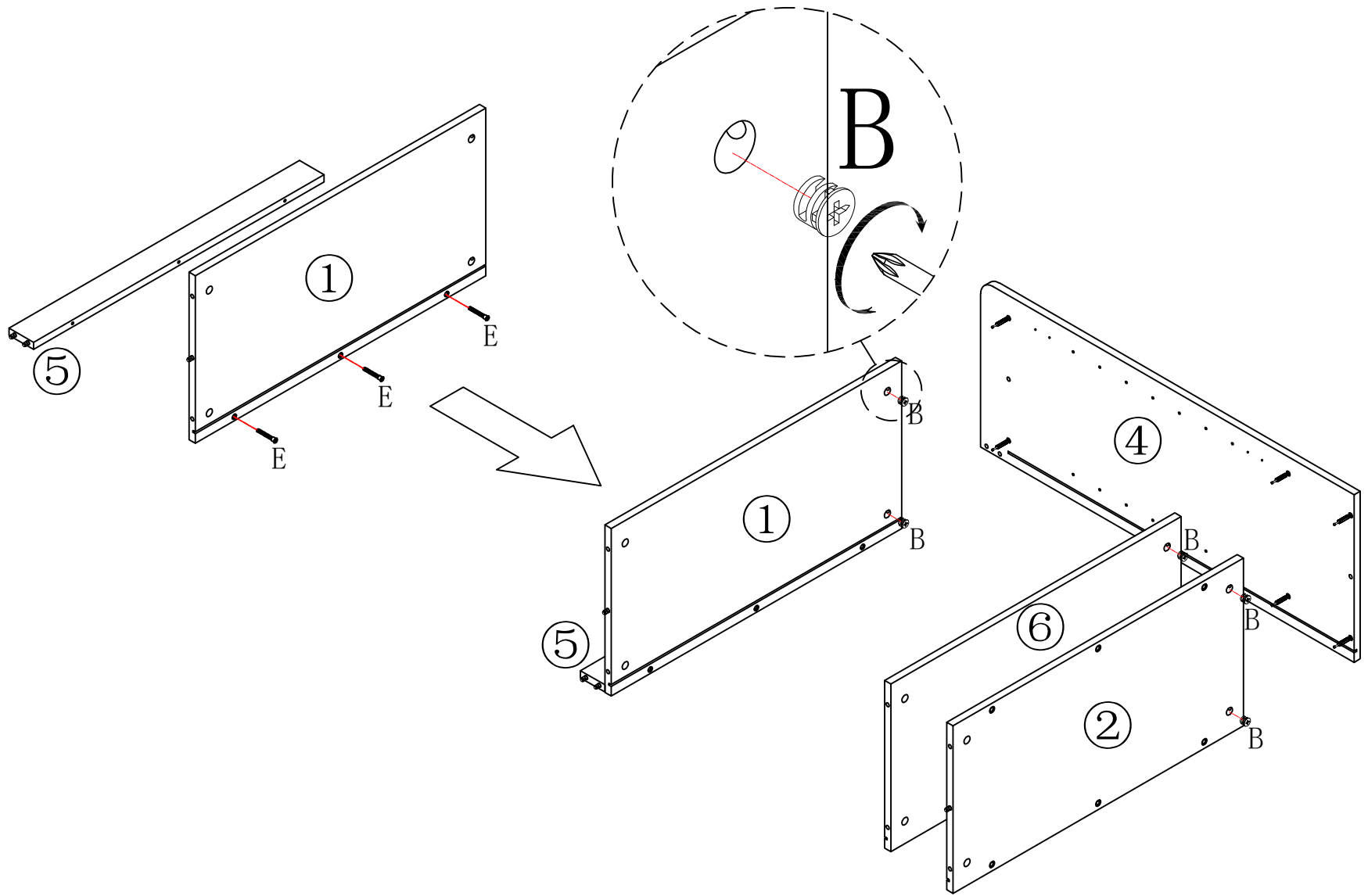


	A*12
	C*8



put A on board ③ ④

put C on board ① ② ⑤

2

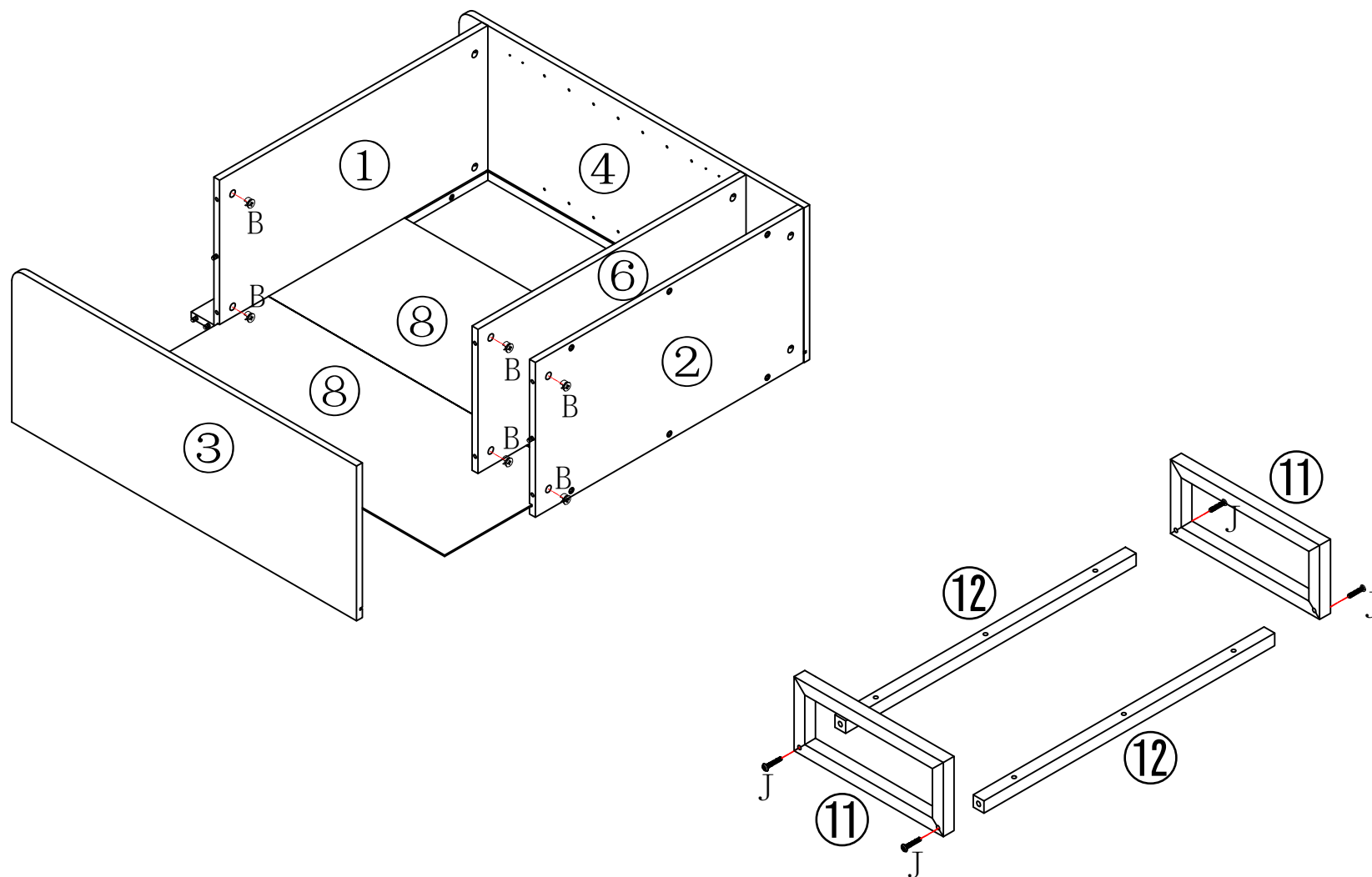


Make sure the arrow on the screw align to the hole on the side.



	B*6
	E*3

put B on board ① ② ⑥

3

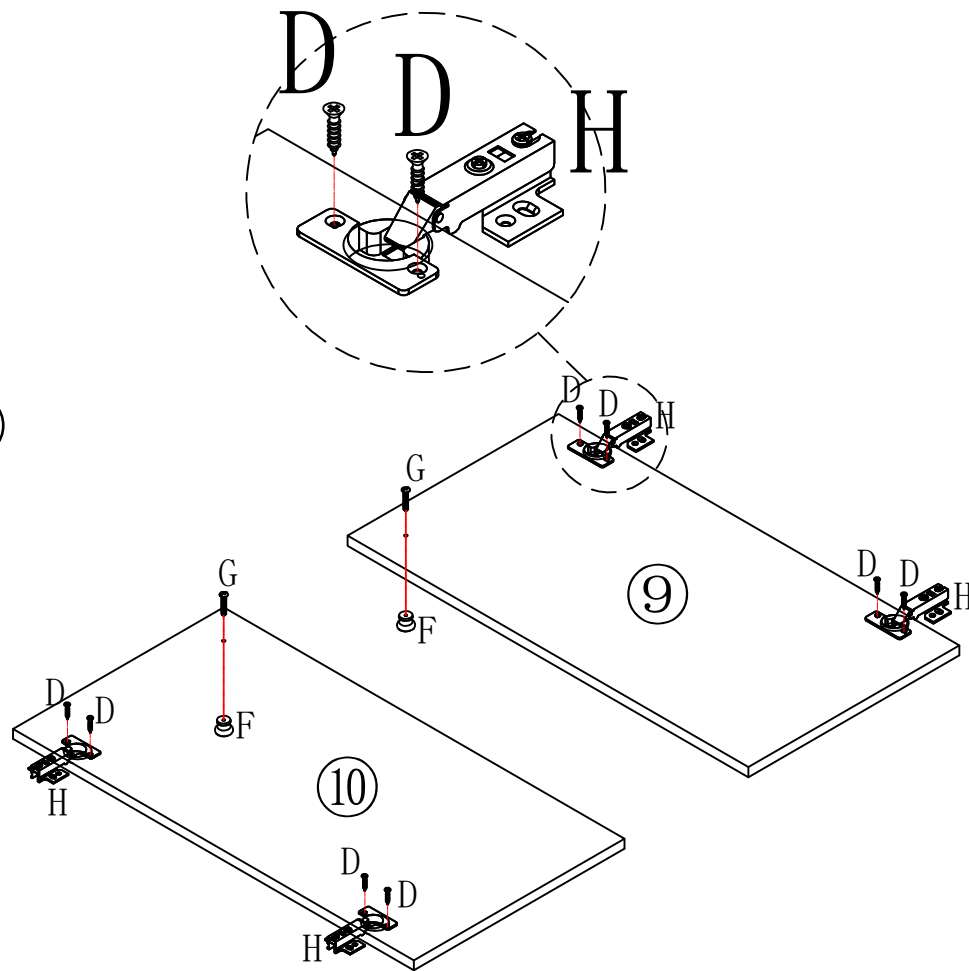
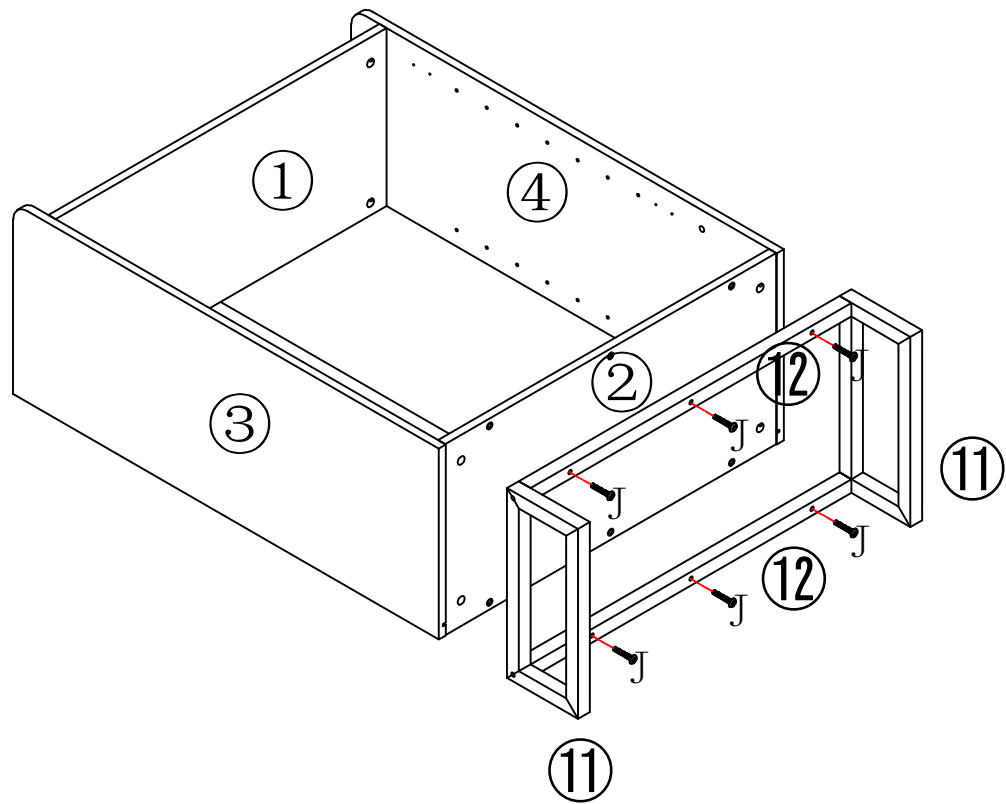





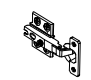

Make sure the arrow on the screw align to the hole on the side.

	B*6
	J*4

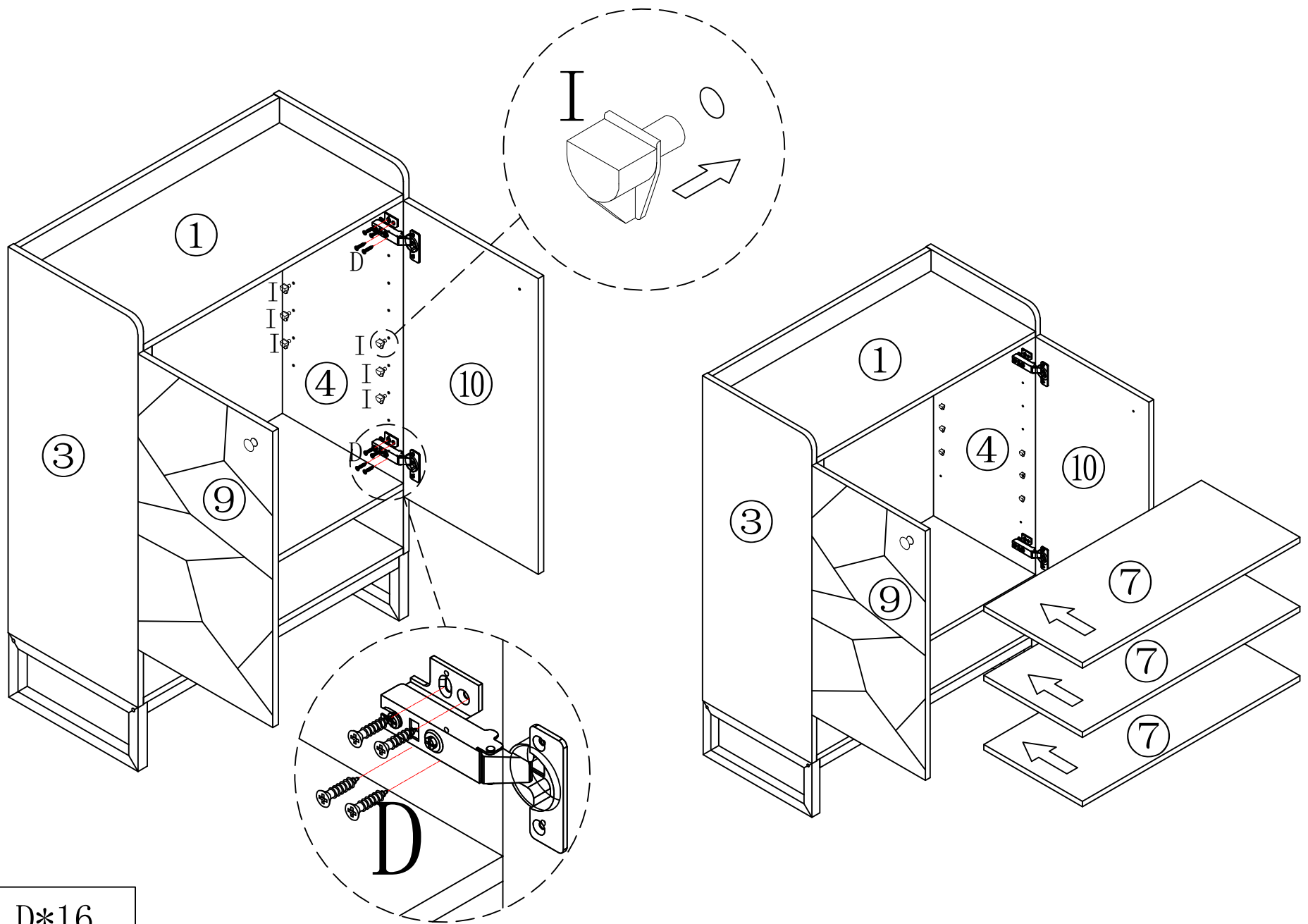
put B on board ⑤ ⑦

4



	D*8
	F*2
	G*2
	H*4
	J*6

5

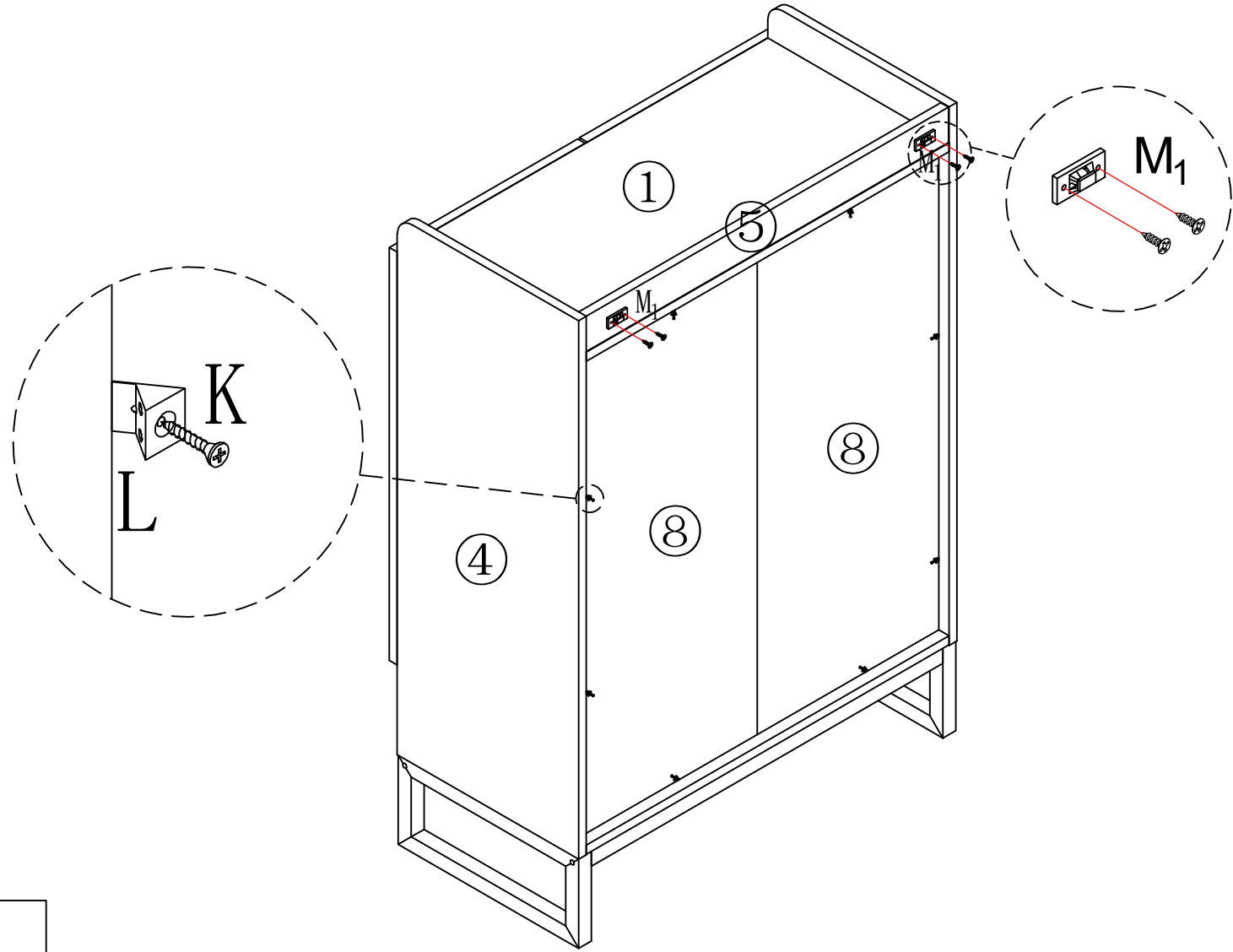



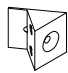

D*16



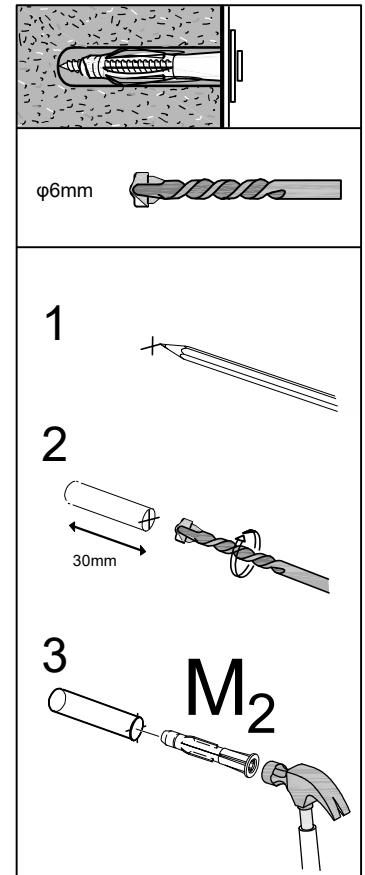
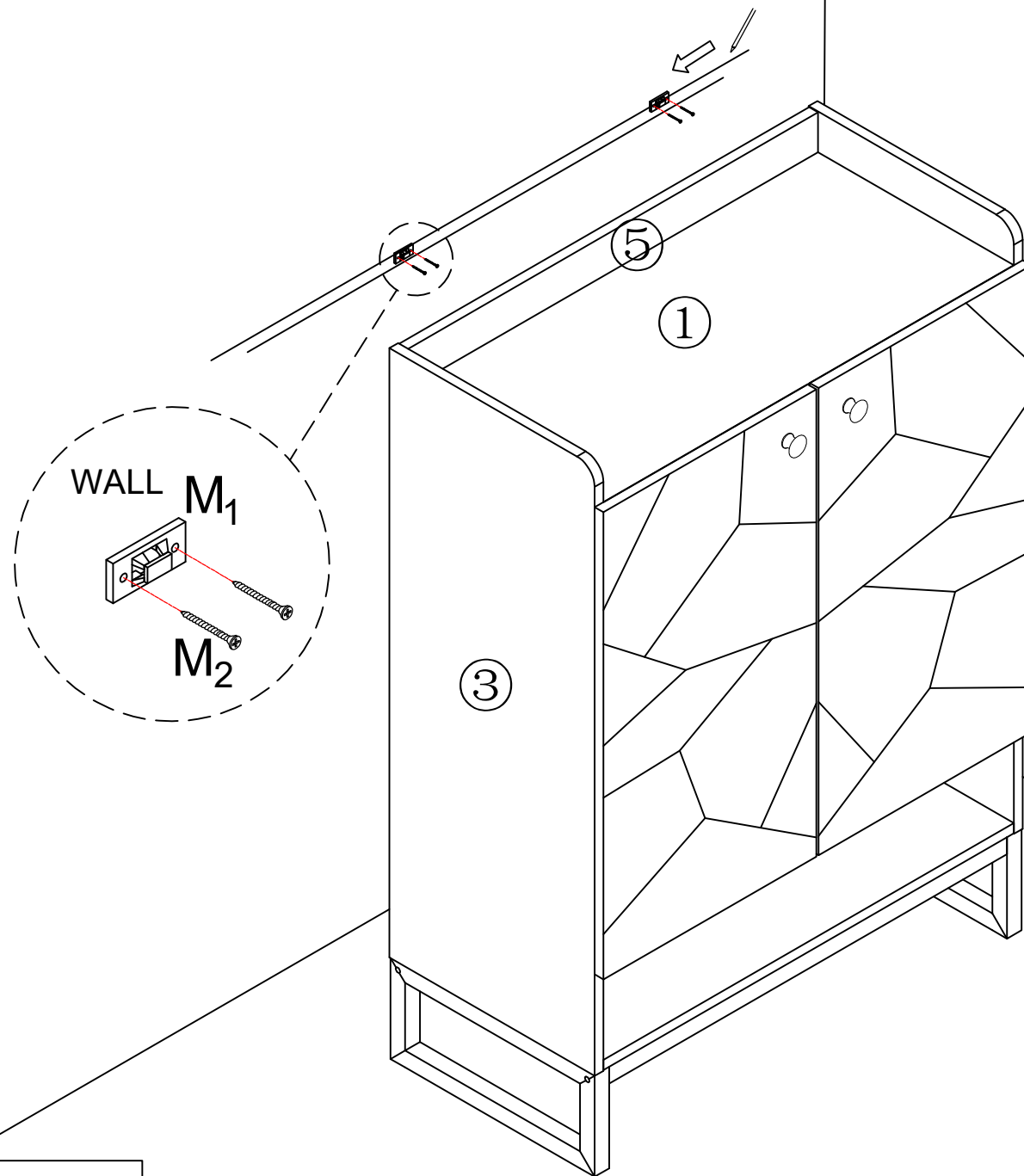
I*12



6



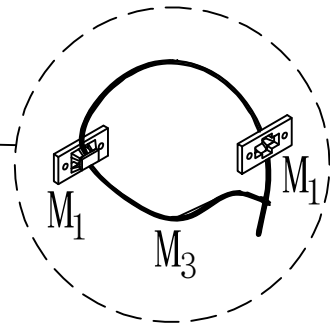
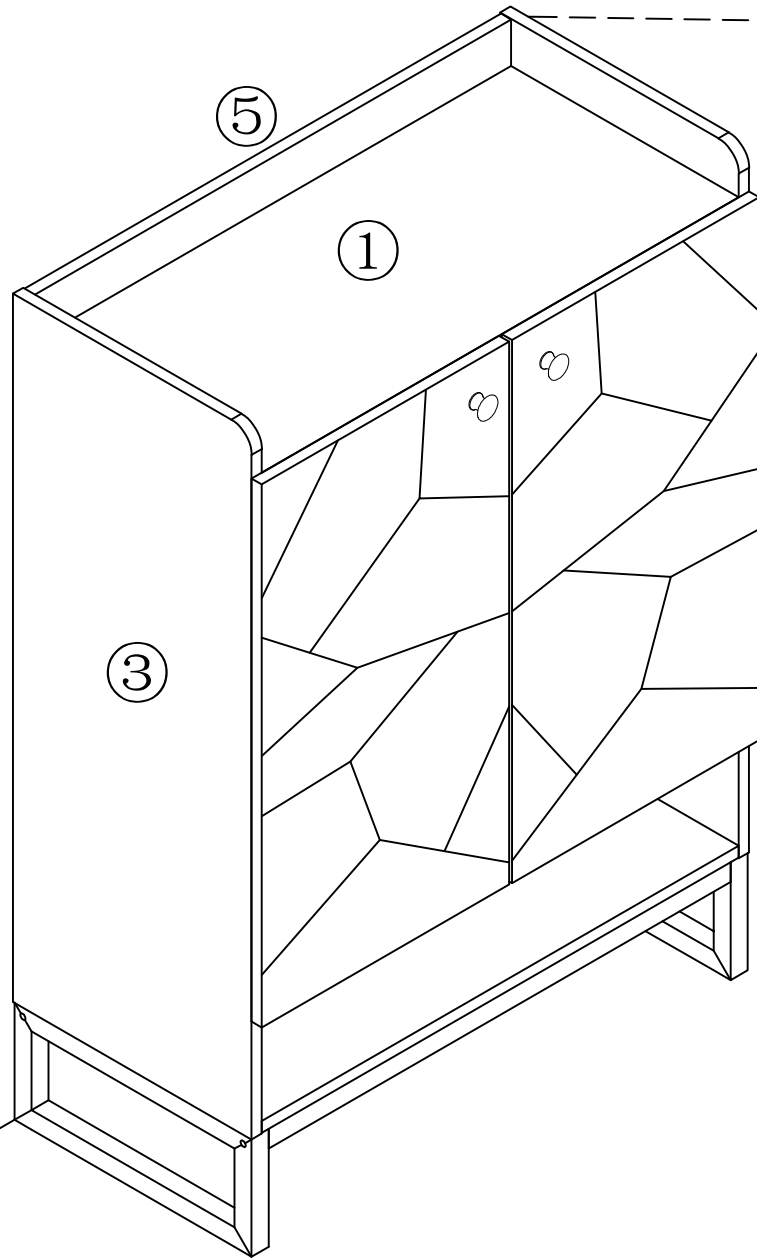
	K*8
	L*8
	M*2

7



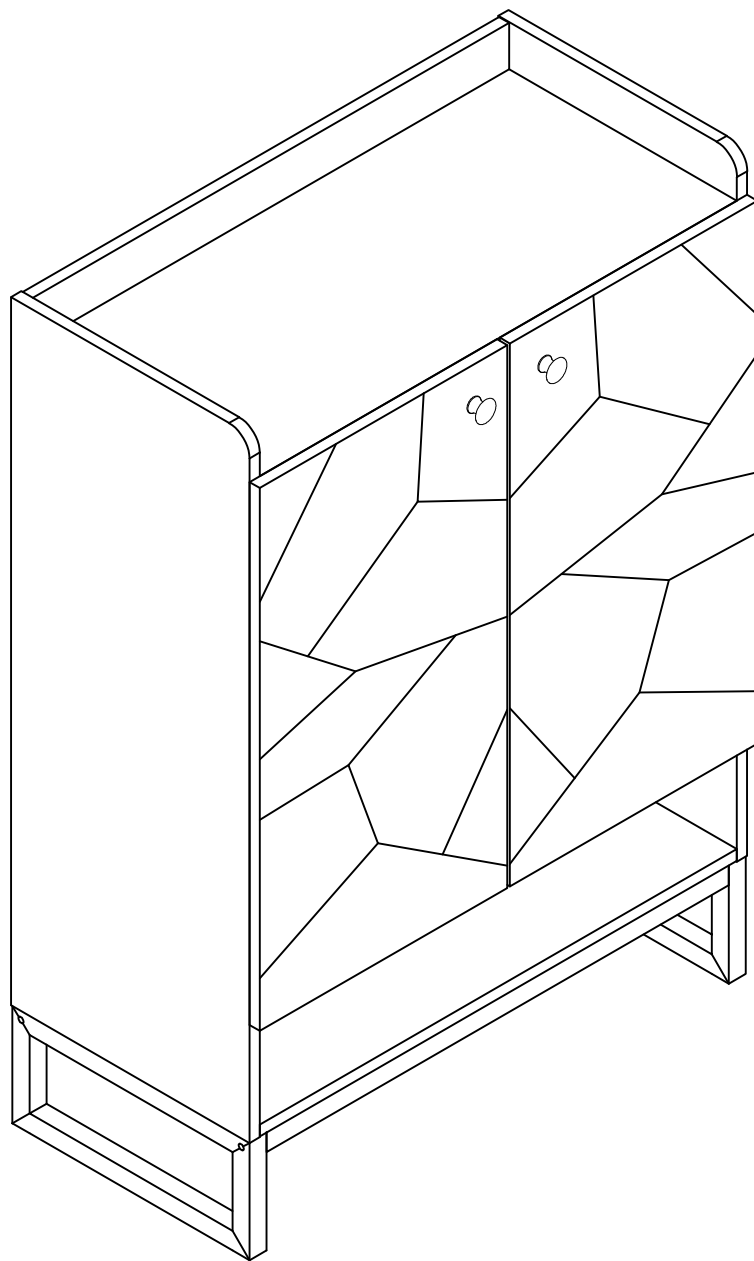
M₂   M₁ M*2

8



M_3

$M*2$



END