

WARNING

- * Switch off the main electrical supply from the main fuse box / circuit breaker before installation.
- * Inspect item carefully before attempting to install.
- * If there is any damages or obvious defects, do not install.
- * Item may not be returned once it has been installed.

CARE AND MAINTENANCE













- * To clean the outside of the fixture, use a dry or slightly dampened clean cloth (use clean water, never a solvent) to wipe the surface of the fixture.
- * To clean the inside of the fixture, first disconnect power to the fixture by turning off the circuit breaker or by removing the fuse at the fuse box. Next, use a dry or slightly dampened clean cloth (use clean water, never a solvent) to wipe the interior surface of the fixture.
- * Do not use any cleaners with chemical, solvents or harsh abrasives. Use only a dry soft cloth to dust or wipe carefully.

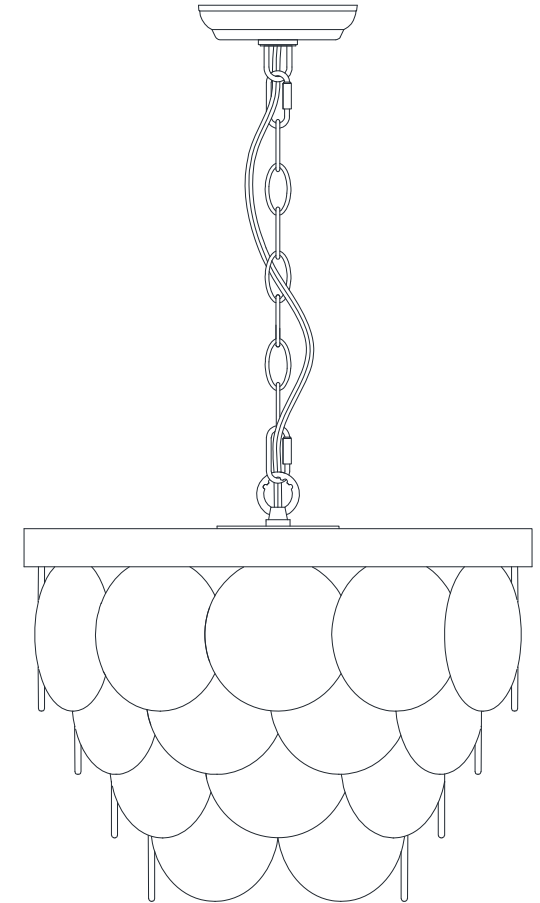
Product Dimensions: 16.5"L*16.5"W*17-76"H

NOTICE& IMPORTANT SAFETY INSTRUCTIONS

- ** WE RECOMMEND INSTALLATION OF THIS LIGHTING FIXTURE BE DONE BY A LICENSED ELECTRICIAN **
- * Please make sure that you have all parts indicated before you begin assembly of this item
- * This item should be assembled on a soft surface to prevent scratching the finish during assembly
- * To reduce the risk of fire, electrical shock or injury to persons or property, please follow the guideline below for safe use and installation
- *The external flexible cable or cord of this lamp cannot be replaced
If the cord is damaged, the lamp shall be destroyed

Part List and Hardware List

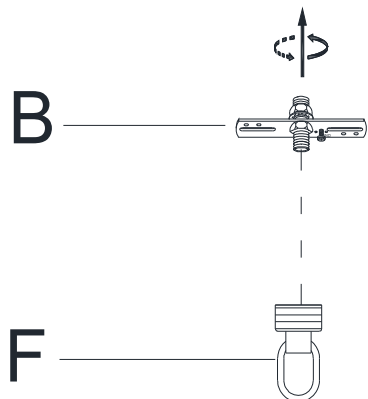
PIECE	DESCRIPTION	PICTURE	QUANTITY	PIECE	DESCRIPTION	PICTURE	QUANTITY
A	Wire Nut		3X	E	Canopy Nut		1X
B	Mounting Plate		1X	F	Clos able link/cap		2X
C	Bulb		3X	G	Fixture Loop		1X
D	Mounting Screw		2X	H	Chain		1X
E	Canopy		1X	H	Lamp Bobw		1X
F	Hanging Loop		1X	H	Glass Panel		36X



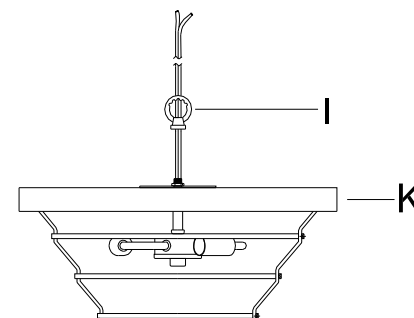
PREPARATION

- * Before beginning assembly of product, make sure all parts are present. Compare parts with package contents list and hardware contents list.
- * If any part is missing or damaged, do not attempt to assemble the product.
- * Estimated Assembly Time: 20 minutes.
- * Tools Required for Assembly (not included): Screwdriver, Junction box
- * If you are having difficulty, our friendly Customer Care team is always here to help.

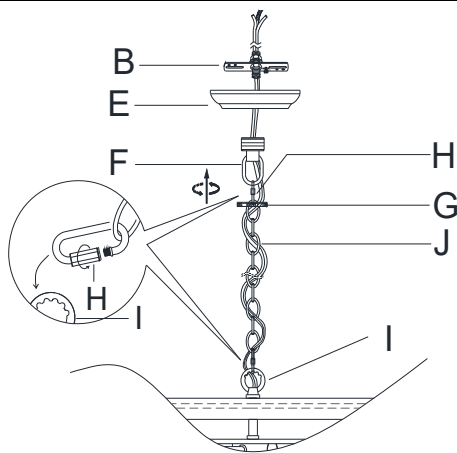
NOTE: PLEASE USE TYPE "B" BULB MAX 40-WATT LED MAX 9-WATT. THERE ARE 3PCS 4W LED BULBS IN THE BOX.



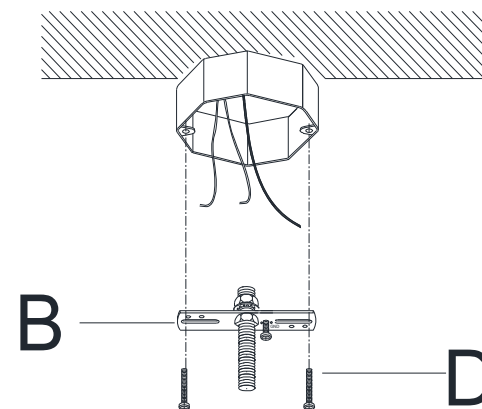
Step 1: Unpack all parts from cartons carefully. Separate the Hanging Loop (F) from the Mounting Plate(B).



Step 2: Rotate the Fixture Loop(I)to the lamp body(K) clockwise till tight.



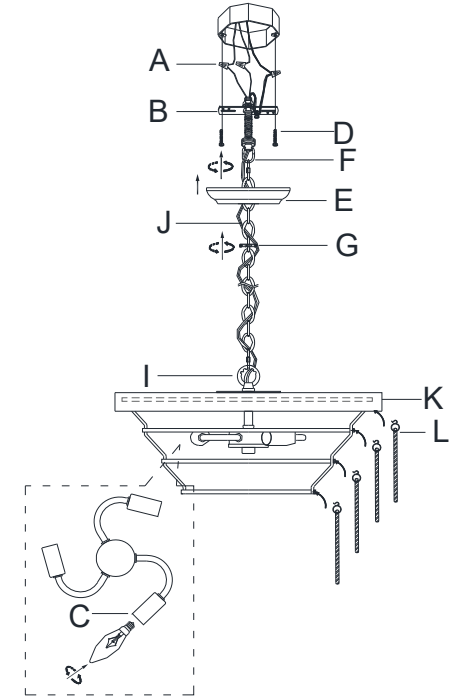
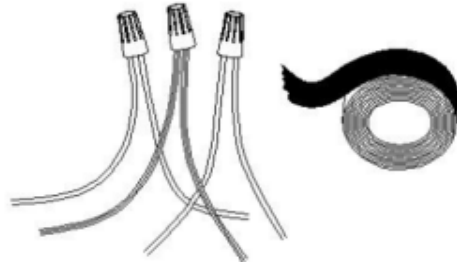
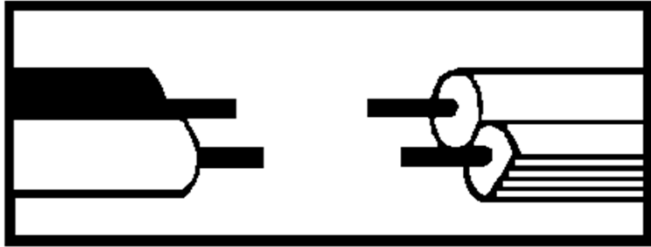
Step 3: Connect the Fixture Loop (I) and the Chain (J) with Closable Link / Cap (H) . Weave the 2 wire power cord and bare ground wire through every other loop to the top of chain(J), center holes of Hanging Loop(F) , Canopy(E) & Mounting Plate(B) as diagram. Slide the Canopy Nut(G) from the Canopy(E) to the end of the Chain(J).



Step 4: Attach the Mounting Plate (B) to the ceiling junction box and secure it by tightening 2 Mounting Screws (D) with a screwdriver until secure.

PREPARATION

- * Before beginning assembly of product, make sure all parts are present. Compare parts with package contents list and hardware contents list.
- * If any part is missing or damaged, do not attempt to assemble the product.
- * Estimated Assembly Time: 20 minutes.
- * Tools Required for Assembly (not included): Screwdriver, Junction box
- * If you are having difficulty, our friendly Customer Care team is always here to help.



Step 5: Wire connection

Connect fixture neutral wire (ribbed) to the outlet box neutral wire (usually white) using a wire nut.
Connect fixture hot wire (smooth with markings) to the outlet box hot wire (usually black) using a wire nut.
CAUTION: Do not reverse the hot and neutral connections

Grounding Instructions:

Wrap ground wire from outlet box around green ground screw on mounting bracket, no less than 2" from wire end. Tighten ground screw. If fixture is supplied with a ground wire, connect to outlet ground wire with a wire nut.

Step 6: Slide the Canopy (E) upward along the chain(J) till the ceiling surface. Fix the Canopy(E) by rotating the Canopy Nut(G) clockwise to engage it with the threaded portion of the Hanging Loop (F) until secure.

Then insert the bulbs (C) into the sockets until secure. **DO NOT EXCEED THE SPECIFIED WATTAGE.**

Attach the Glass Panels Panel (L) onto the Lamp Body (K) from the bottom tier to the top tier as shown.