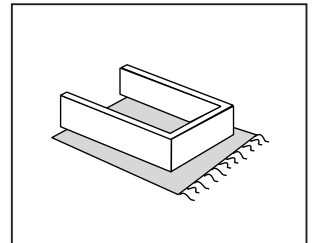
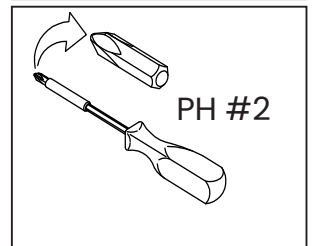
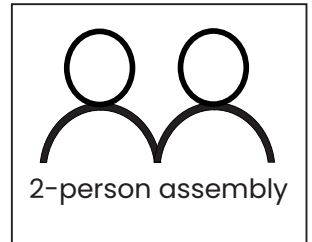
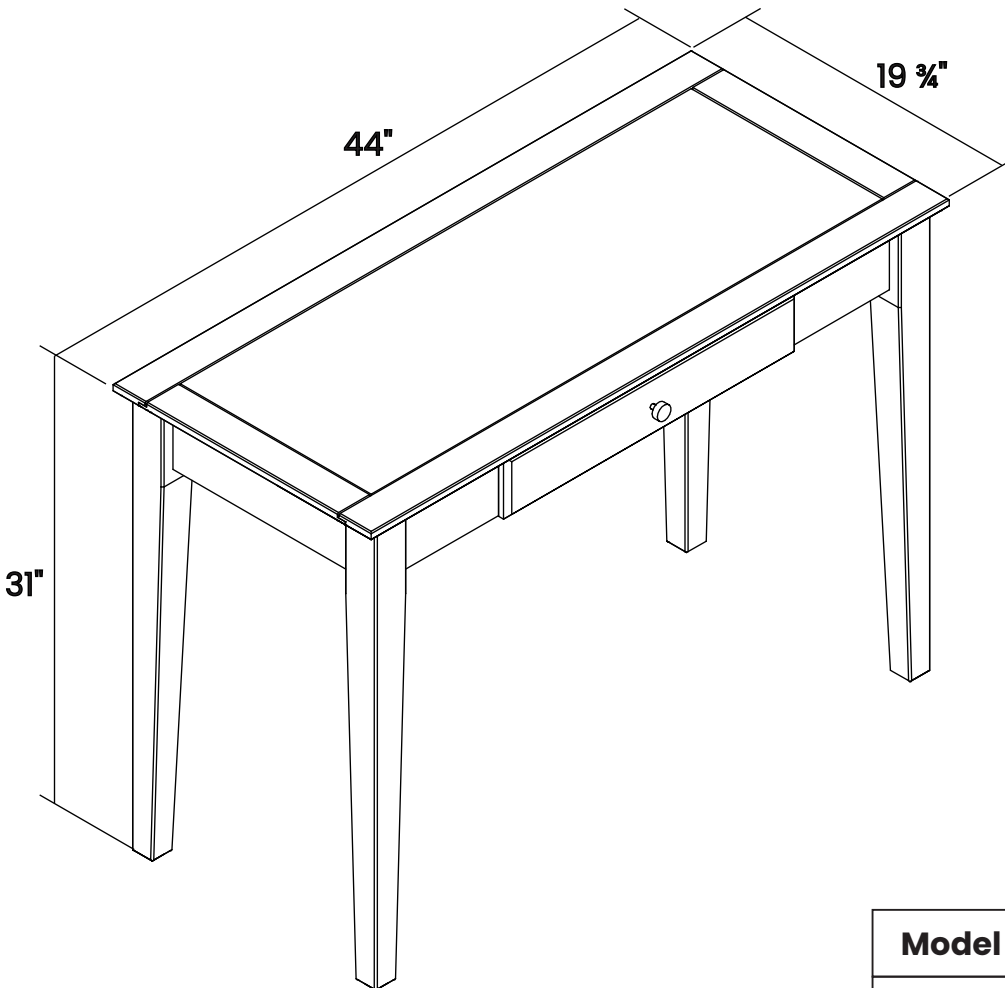


Assembly Instructions



Model #	Finish
GP2203	Brushed White
GP2205	Brushed Walnut
GP2216	Brushed Driftwood

Thank you for choosing Grain Wood Furniture, it is an honor to be in your home!
If you have any questions, feedback, or need replacement parts please contact us at:
grainwoodfurniture.com/help or support@grainwoodfurniture.com

Greenport Collection
Desk / Dressing Table

GrainWood
FURNITURE.COM

PLEASE READ BELOW BEFORE BEGINNING ASSEMBLY


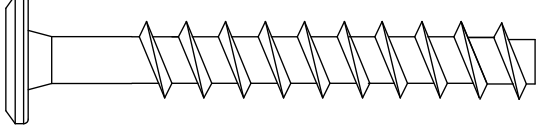



- Enlist help from a friend or family member as most items require two people for proper assembly.
- Choose a spacious, open area near where the piece will be located once assembled. It is easier to move parts than to relocate the furniture after it is fully assembled.
- Do not throw away packaging material until assembly is complete.
- Assemble the item on a soft surface, such as cardboard or an old blanket in order to protect the finish from possible dents or scratches.
- Lay out the parts in order and count them twice. In case any parts are missing or damaged, document the problem with pictures and contact support so we can make it right.
- Solid wood furniture may present imperfections such as wood knots, minor splits or cracks which are a natural aspect of the material. Whenever stability of the furniture is not compromised, we recommend customers perform cosmetic touch-ups with wax crayon fillers sold at all major hardware stores.
- It is best to use the tools provided in the box, such as a hex key, because they may be specially sized for the piece of furniture.
- We do not recommend the use of power drills as they can damage your furniture if not used correctly.
- Use a carpenter's square or hardcover book to check angles when assembling drawers and doors. If they are not at 90 degrees, they will not close properly.
- If you have any problems, we are here to help. Just go to grainwoodfurniture.com/help.
- See grainwoodfurniture.com/care-guide for suggestions that will help your furniture last for years.



grainwoodfurniture.com/assembly-troubleshooting

Enjoy your 100% solid wood furniture!

HARDWARE LIST

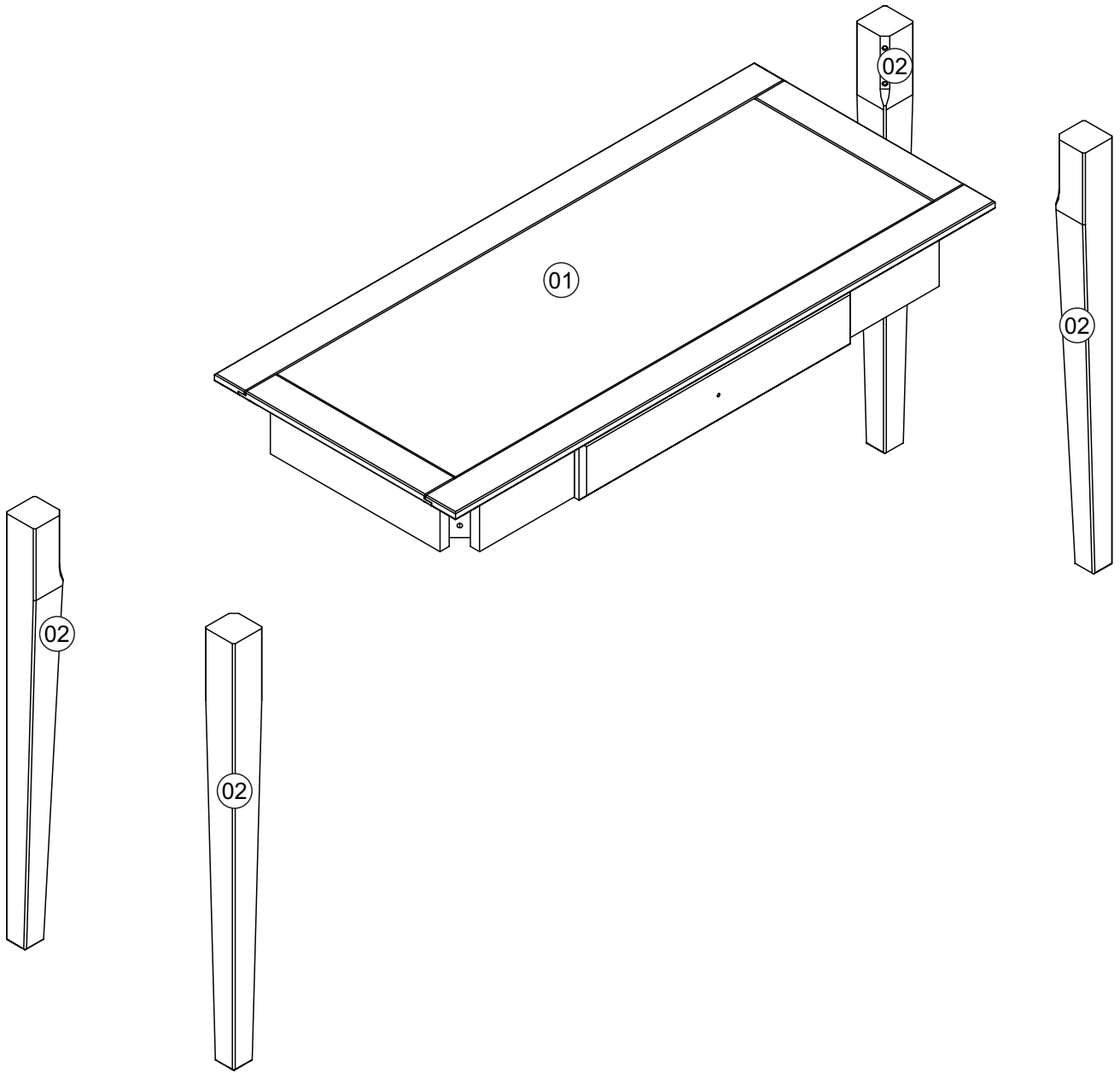
A25	 M4x25	1
B19	 7,0x70	8+1
G8		1
G16	 20x20	4
H11		1

ATTENTION

Before starting assembly please verify the hardware set is complete.

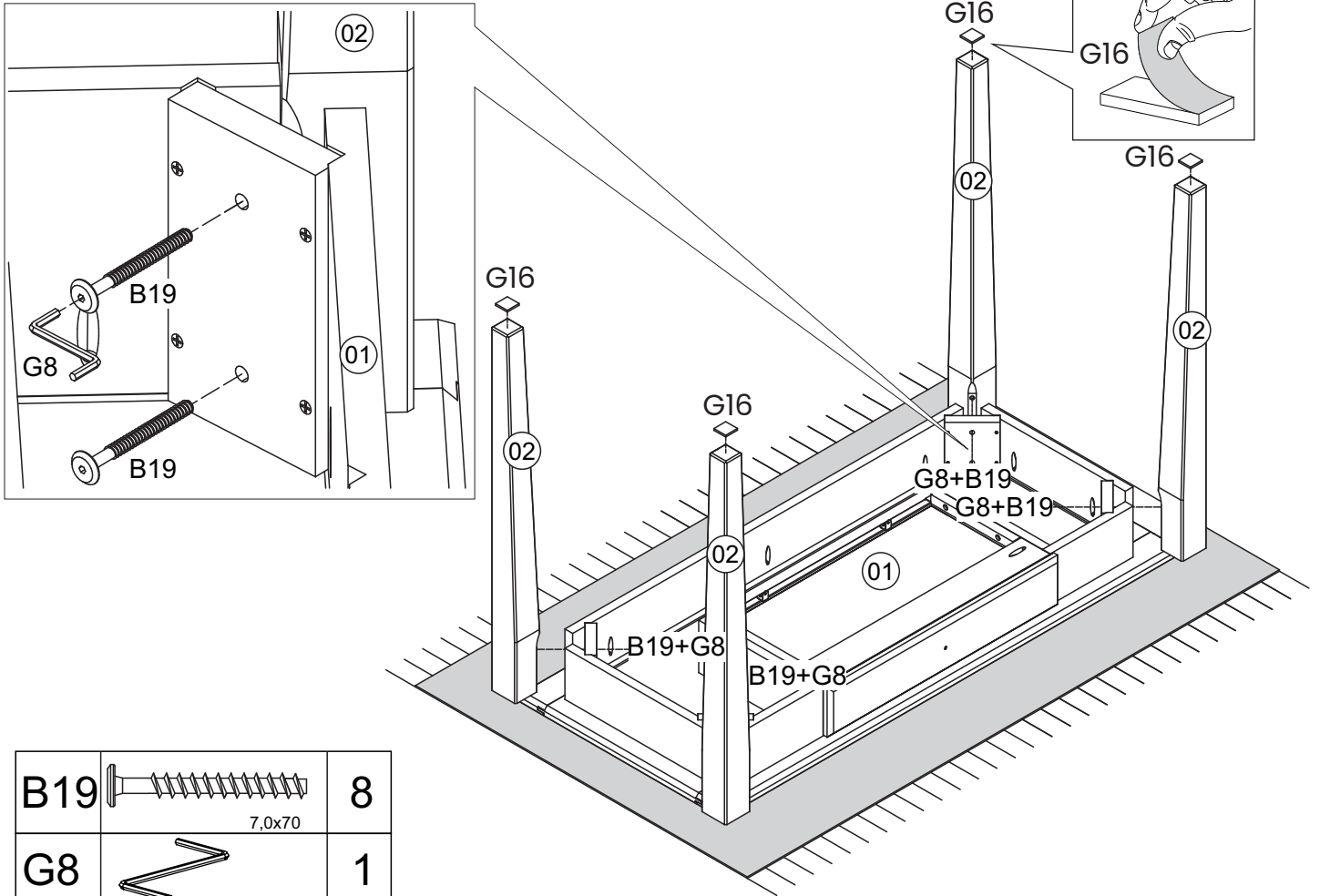
For missing hardware please contact us at grainwoodfurniture.com/help

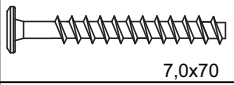
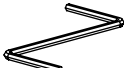
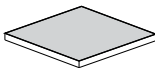
WARNING:
CHOKING HAZARD
Small parts, not for children.
To be assembled by an adult.



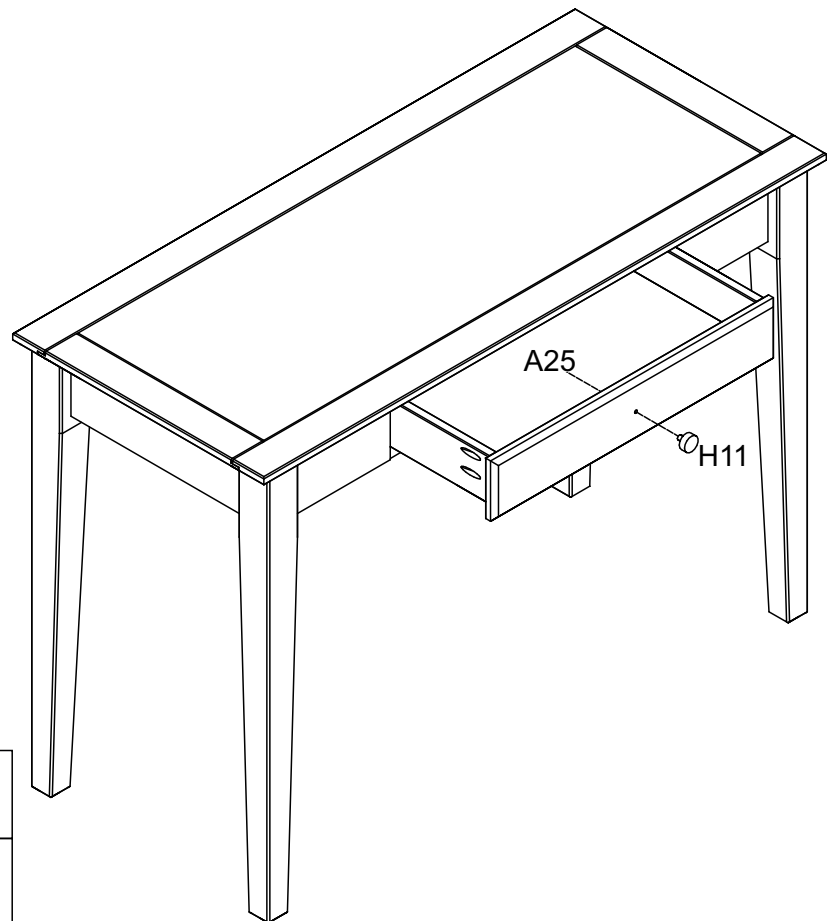
Box		
Part #	Description	Qty.
01	Top	1
02	Leg	4
HW	Hardware	1



1)



B19	 7,0x70	8
G8		1
G16		4

2)



A25	 M4x25	1
H11		1