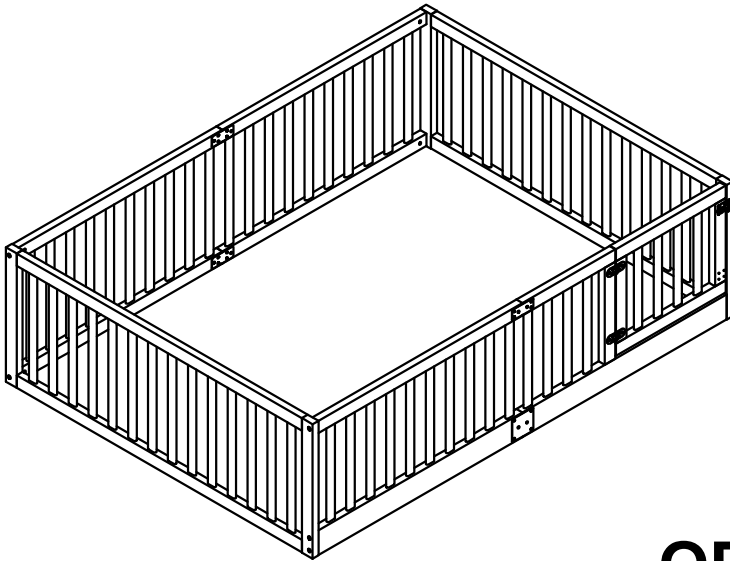
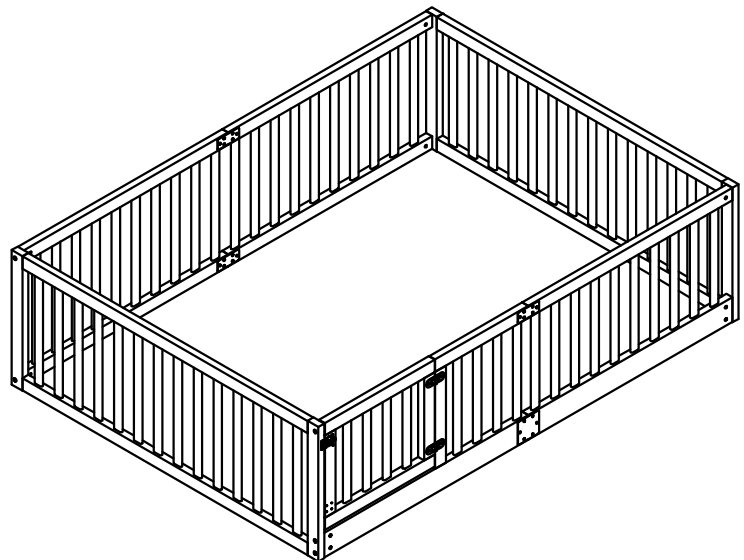


ASSEMBLY INSTRUCTIONS

FULL FLOOR BED - NO SLATS

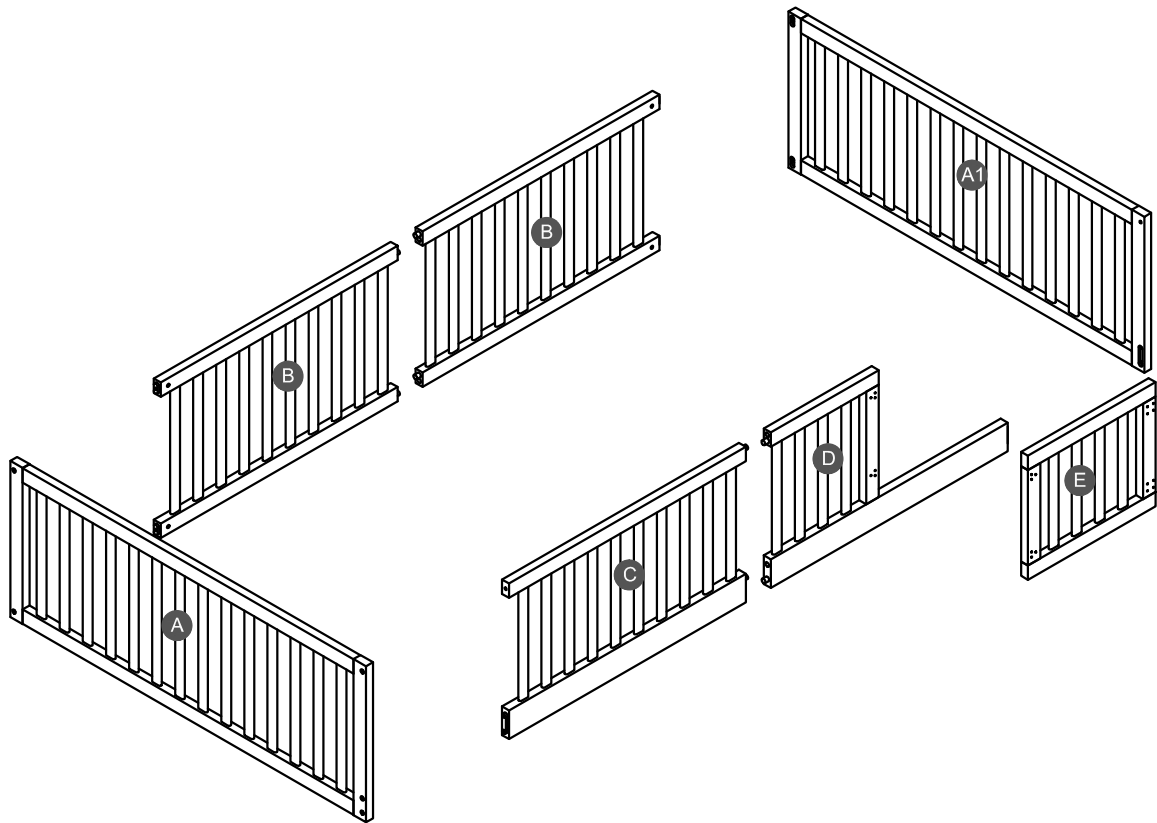


OR

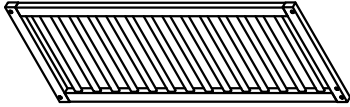
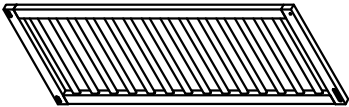
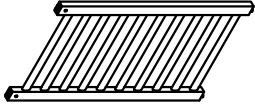
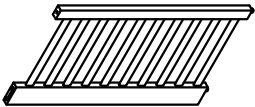
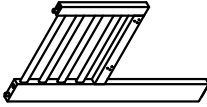
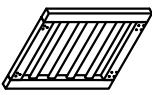


BEDF092B08/BEDF092B15/BEDF092B77

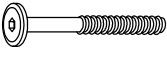

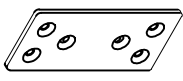
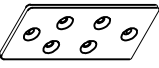
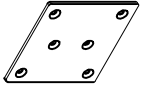
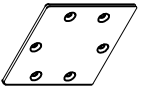
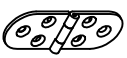
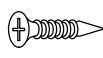
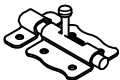
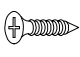

Detail View



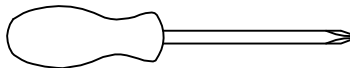
Part List

A  Guard rail (Left) - 1pc	A1  Guard rail (Right) - 1pc	B  Guard rail (Back) - 2pcs
C  Guard rail (Left Front) - 1pc	D  Guard rail (Right Front) - 1pc	E  Door - 1pc

Hardware List

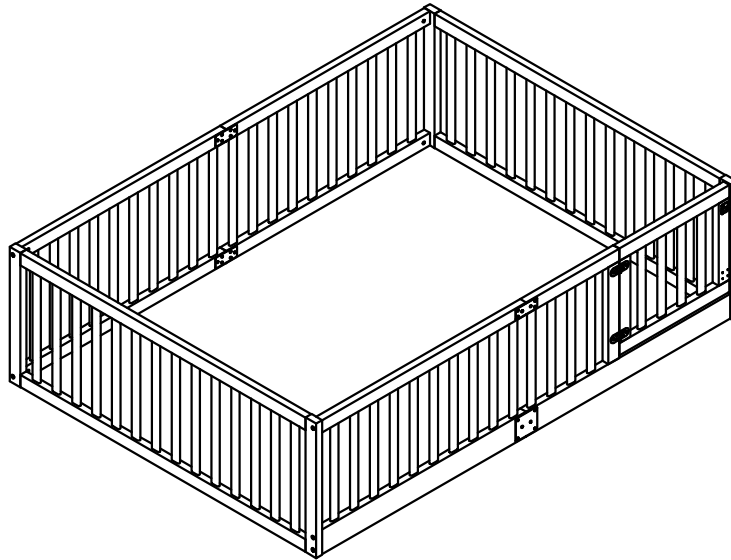
1  (Ø12)1/4"*70mm Hex-Head bolts (9pcs)	2  1/4"*15 (9.5mm) Horizontal-Hole bolts(9pcs)	3  100*44*1.5 mm Metal bracket (3pcs)
4  100*44*1.5 mm Metal bracket (3pcs)	5  100*94*1.5 mm Metal bracket (1pc)	6  100*94*1.5 mm Metal bracket (1pc)
7  46*30*6*1.5mm(180°) Hinges (2pcs)	8  Ø4*19mm Wood screws (60pcs)	9  60*38*10mm Lock (1pc)
10  Ø3.5*15mm Wood screws (6pcs)	11  (1/4")4.5*58mm Allen key (1pc)	

ASSEMBLY TOOLS REQUIRED (NOT INCLUDED)

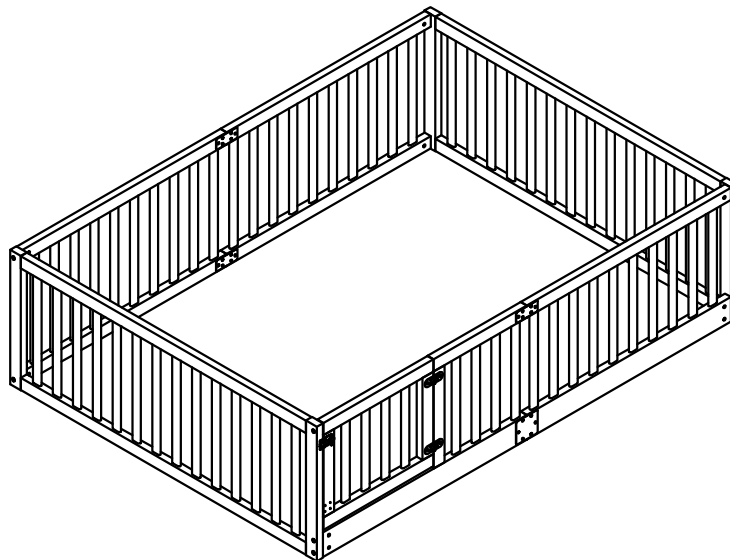


PLEASE BE CAREFUL DO NOT DAMAGE THE HOLE POSITION WHEN YOU USE POWER TOOLS !

Depending on the room layout, choose the door to be installed on the right or left.

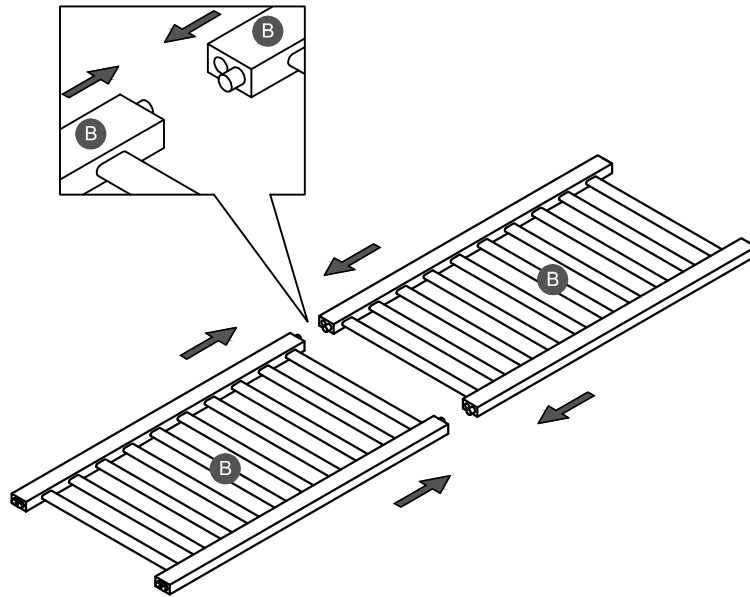


If you choose to install the door on the right, please follow the installation step 1, 2, 3, 4, 5, 6, 7, 8, 9.

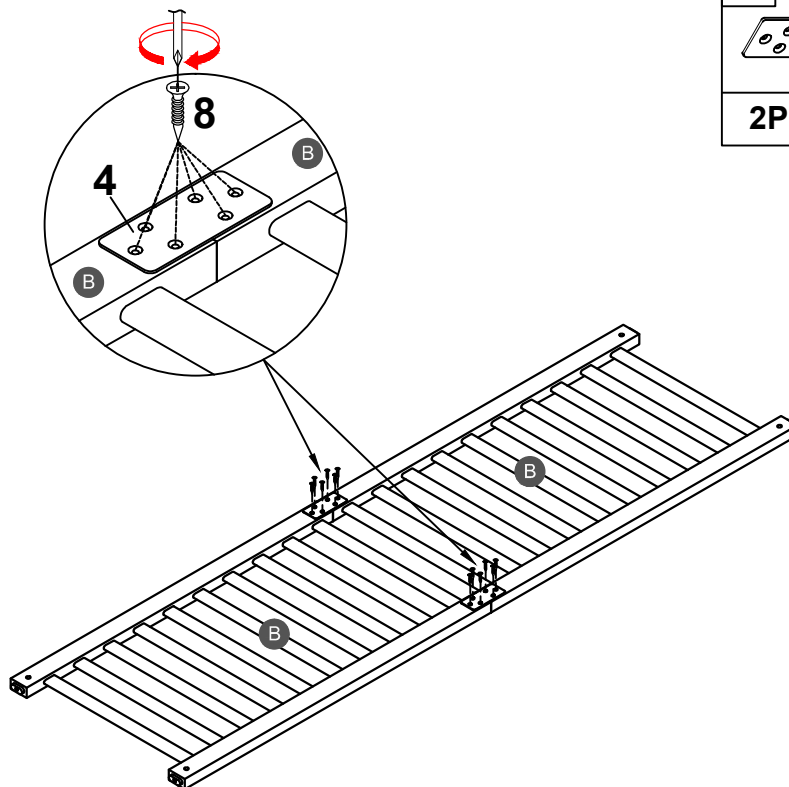


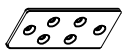

If you choose to install the door on the left, please follow the installation step 1, 2, 3, 4, 5, 6, 10, 11, 12.

STEP 1:



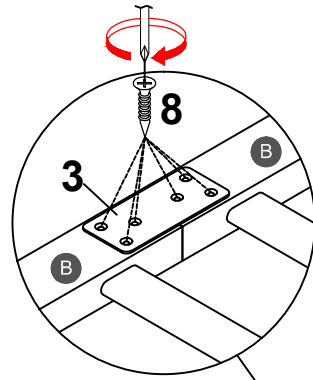
STEP 2:

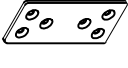



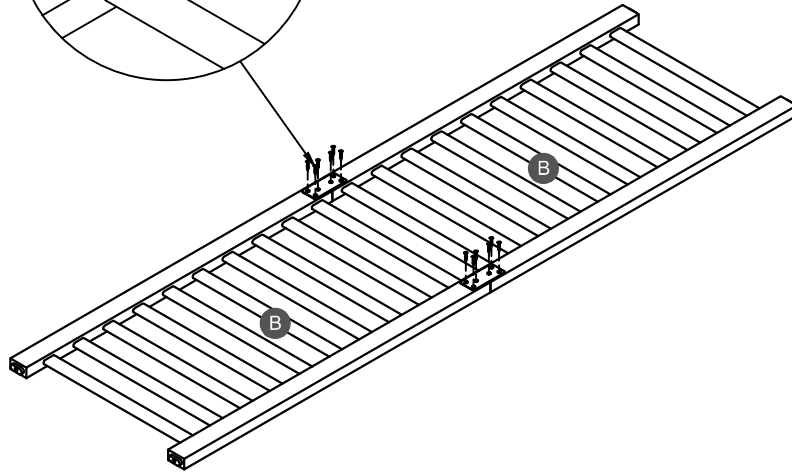
4 	8 
2PCS	12PCS

Note : The hole location of the fixed pin for each installation step is different.

STEP 3:

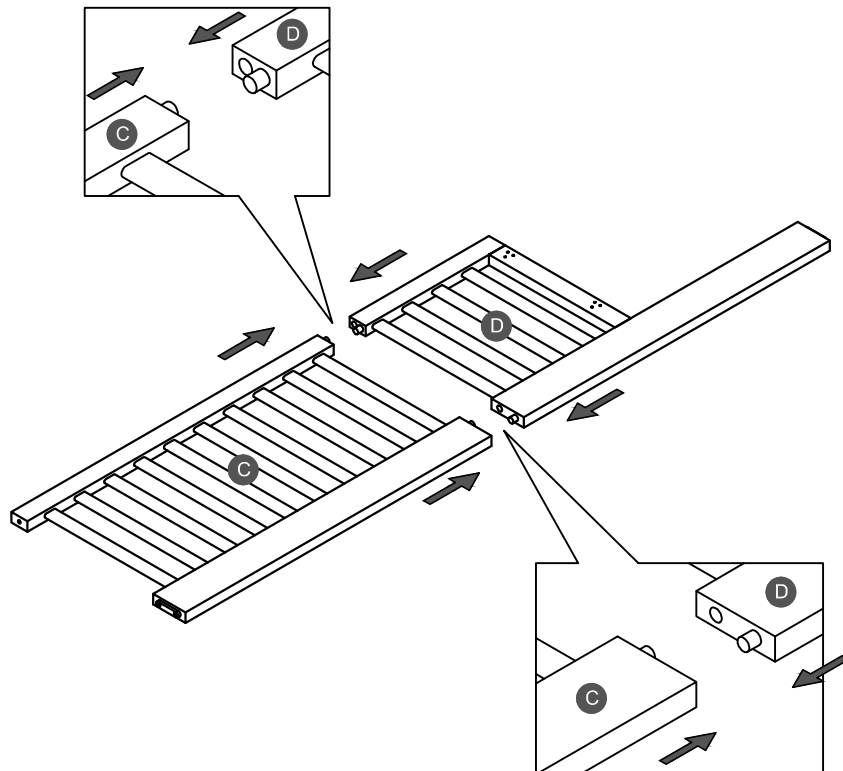


3	8
	
2PCS	12PCS

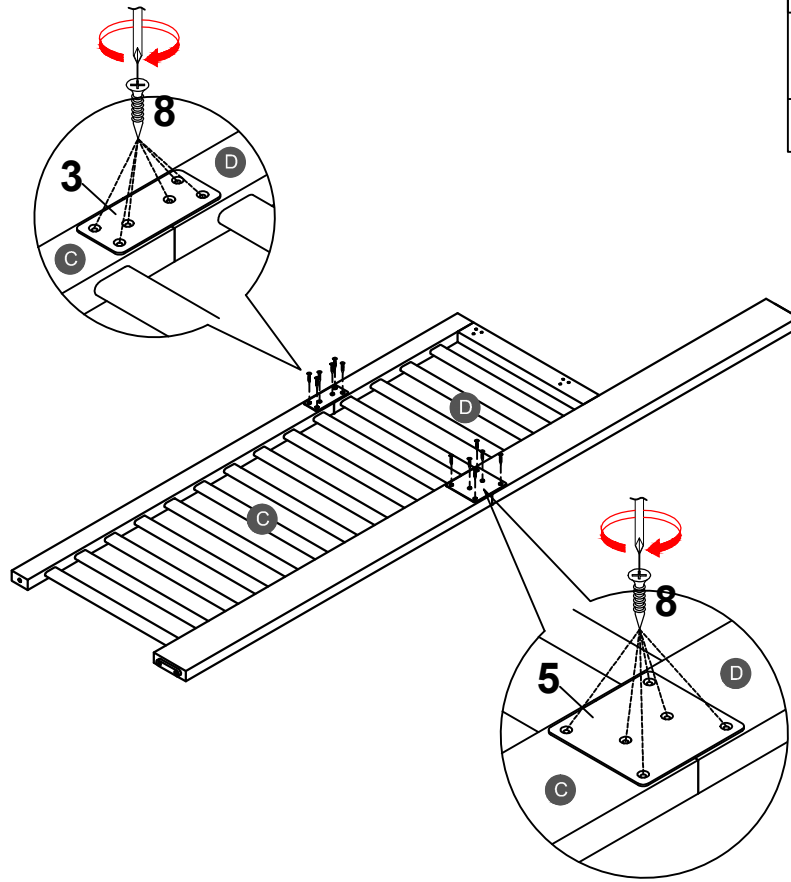


After completing the installation of step 2, please flip to the other side.

STEP 4:

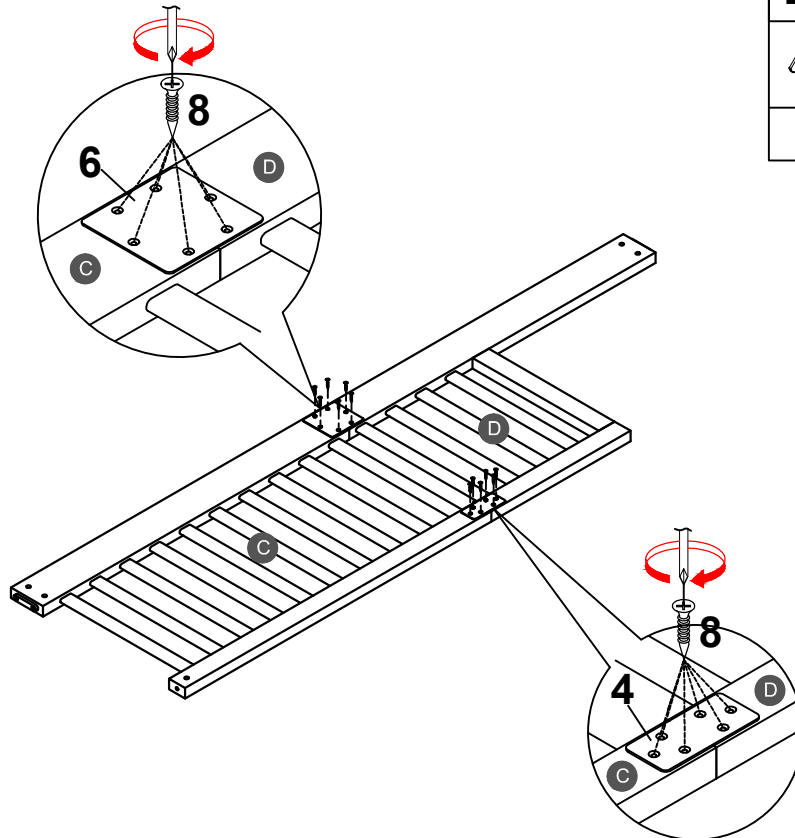


STEP 5:





3	5
1PC	1PC
8	
12PCS	

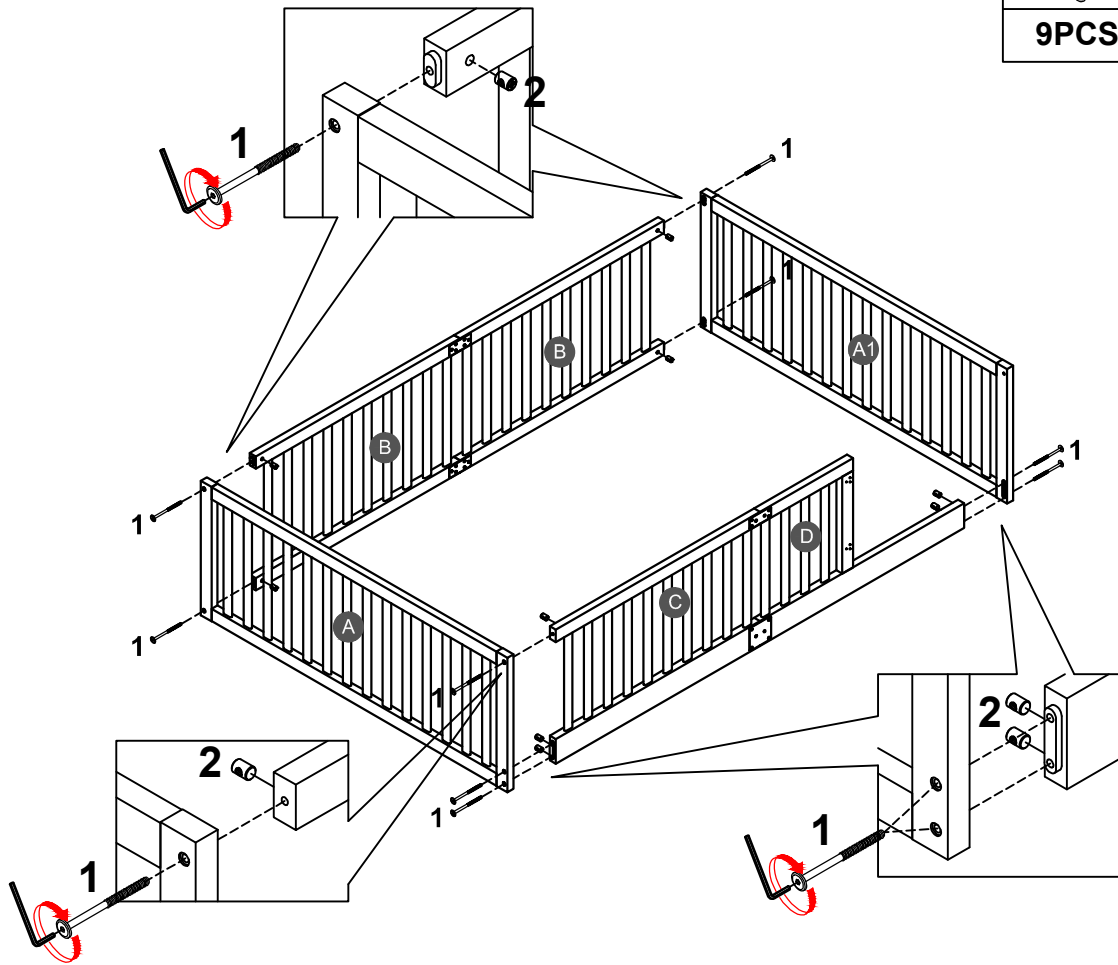
STEP 6:







4	6
1PC	1PC
8	
12PCS	

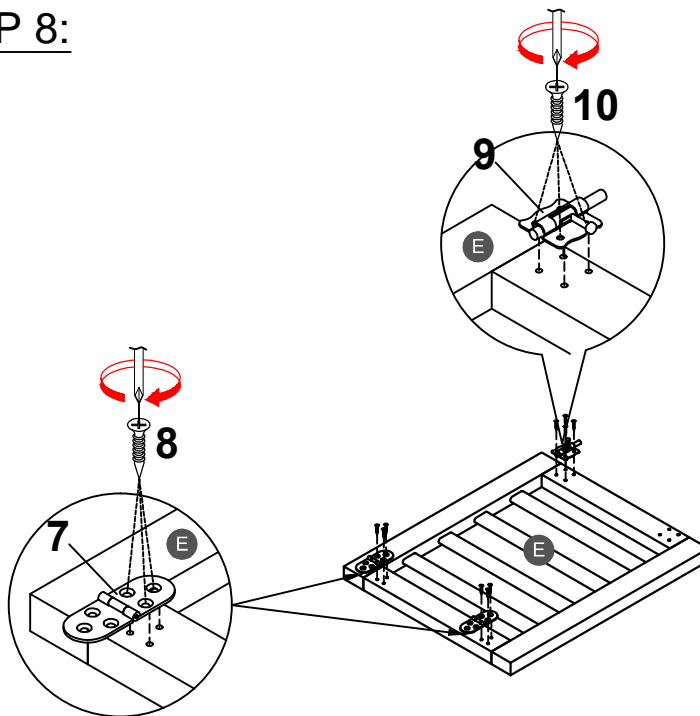
STEP 7: The door installed on the right side.

1		2	
9PCS		9PCS	





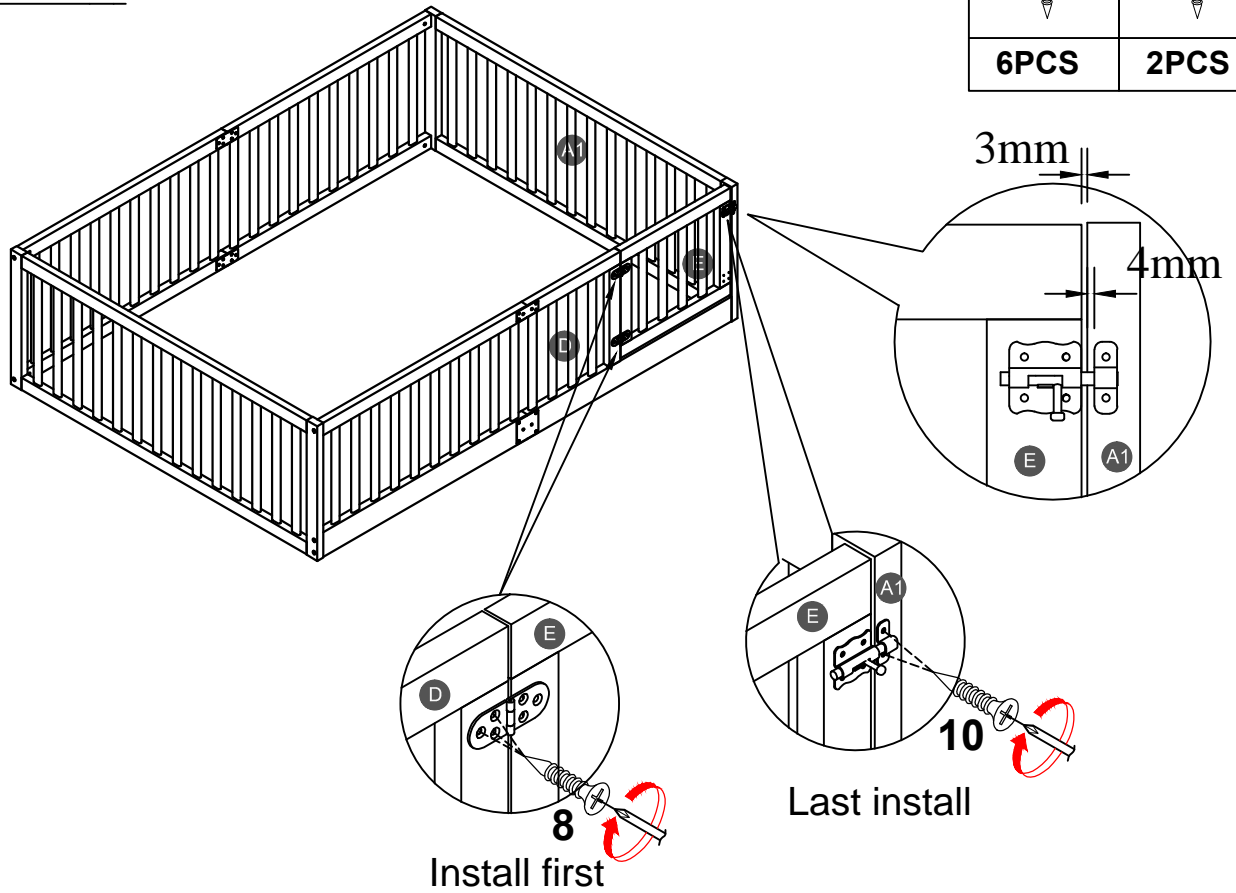
STEP 8:

7		8	
2PCS		6PCS	
9		10	
1PC		4PCS	

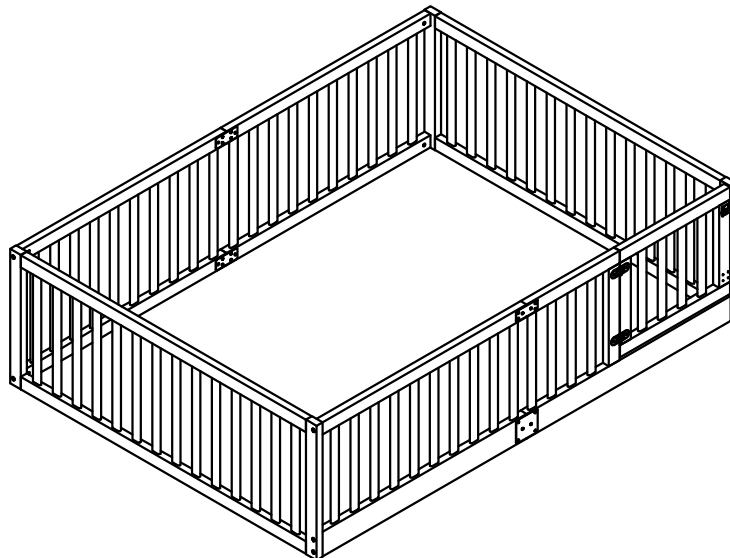


STEP 9:

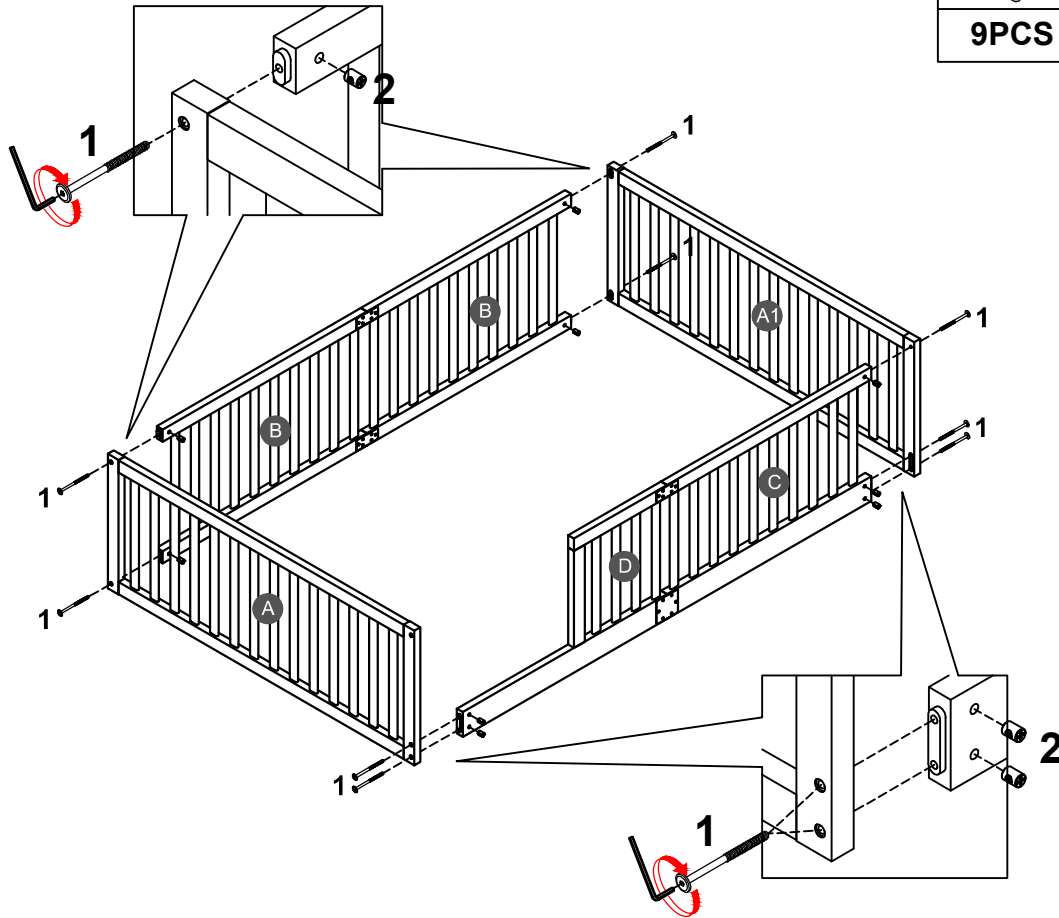
8	10
	
6PCS	2PCS





Please completing the installation of the hinge first,
and then fix the barrel bolt lock

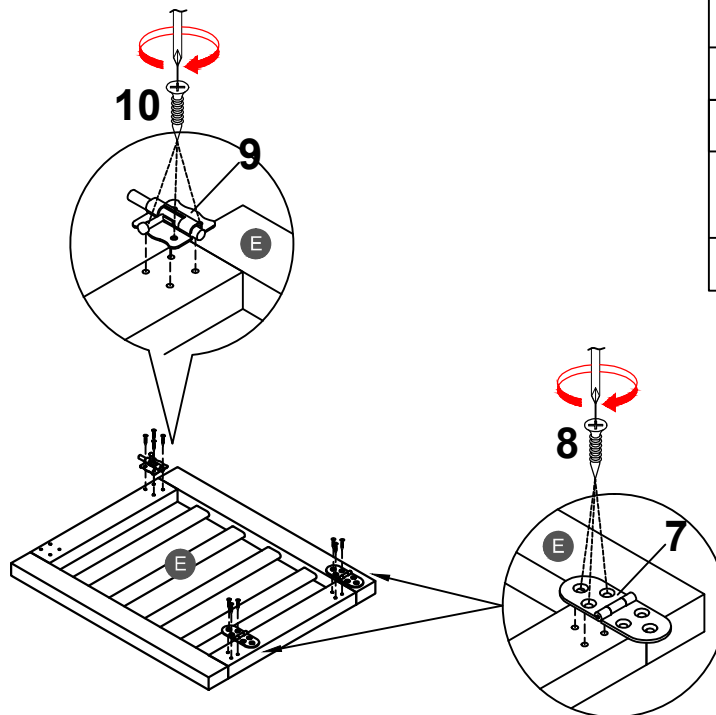




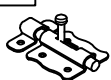

STEP 10: The door installed on the left side.





1		2	
	9PCS		9PCS

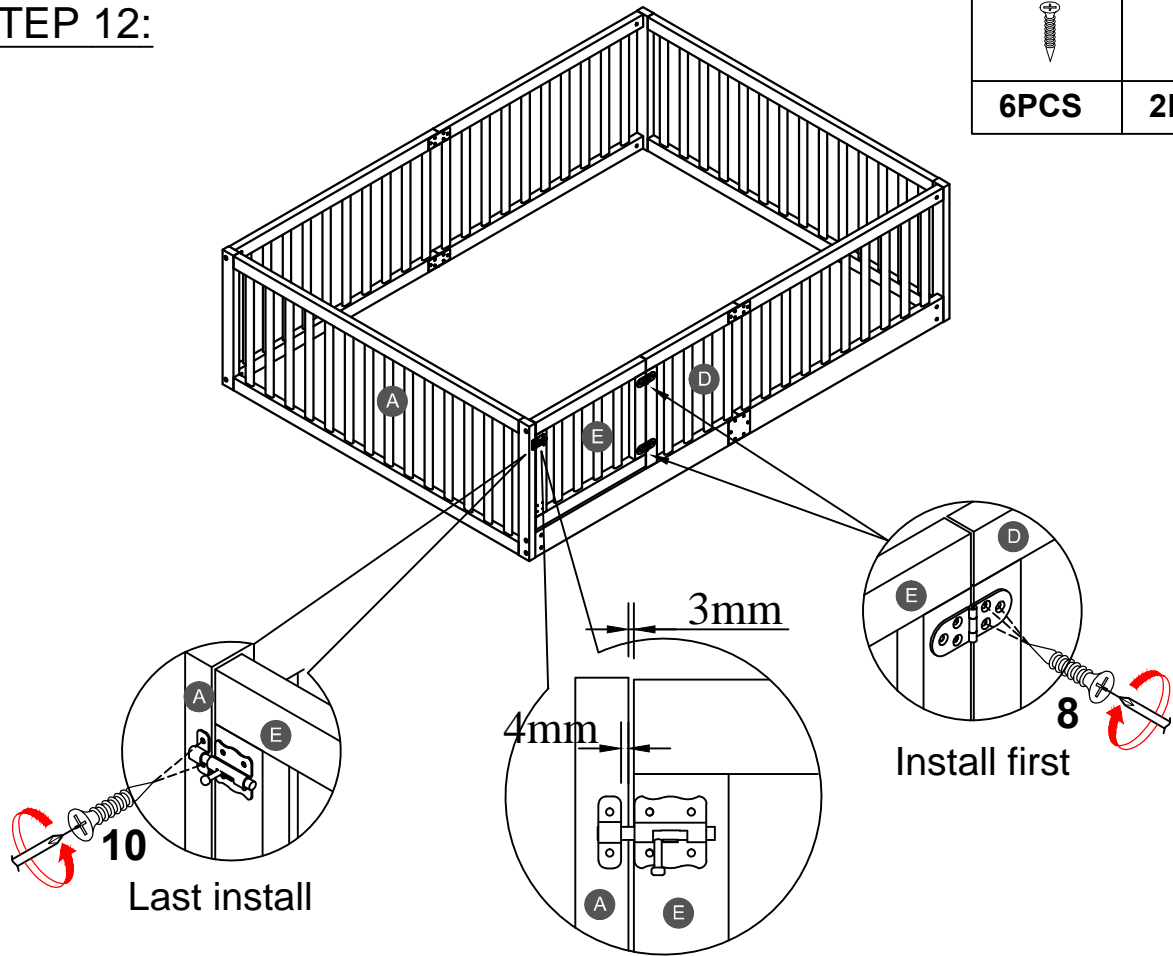
STEP 11:



7		8	
	2PCS		6PCS
9		10	
	1PC		4PCS

STEP 12:

8		10	
6PCS		2PCS	



Please completing the installation of the hinge first (keep the height of the door frame consistent with the upper edge of the bed frame), and then fix the barrel bolt lock

