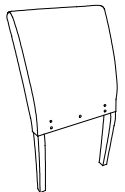

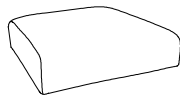

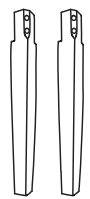

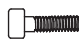


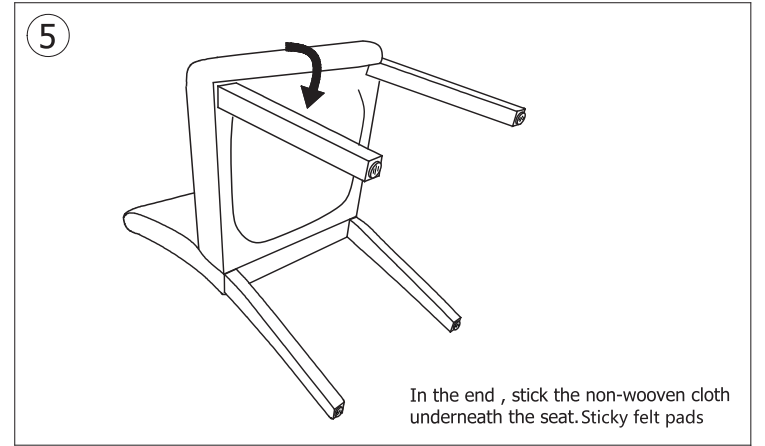
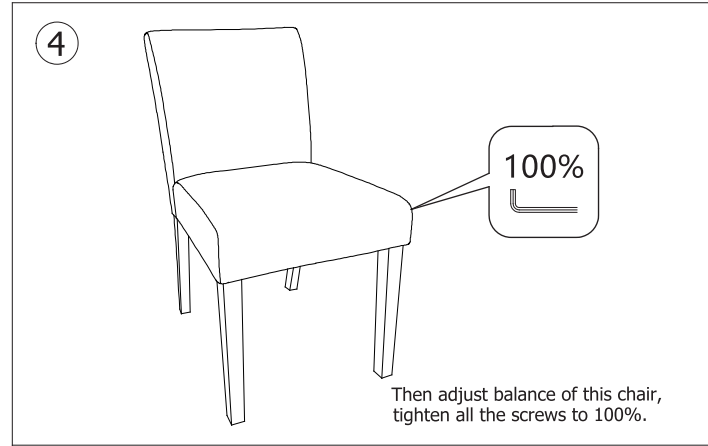
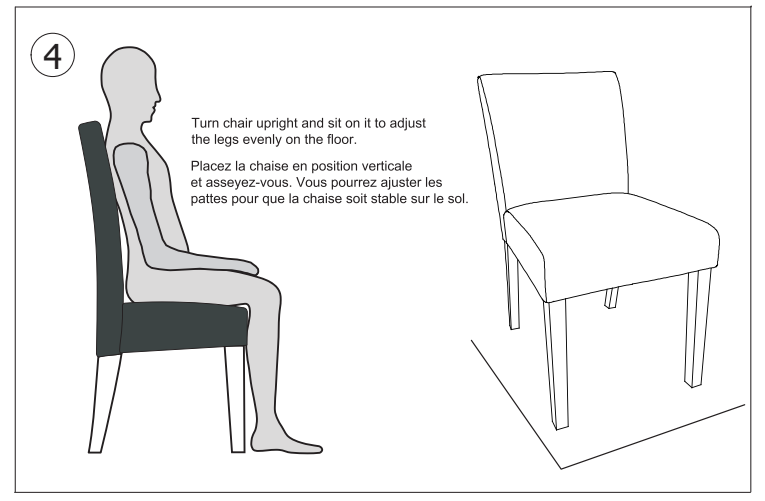
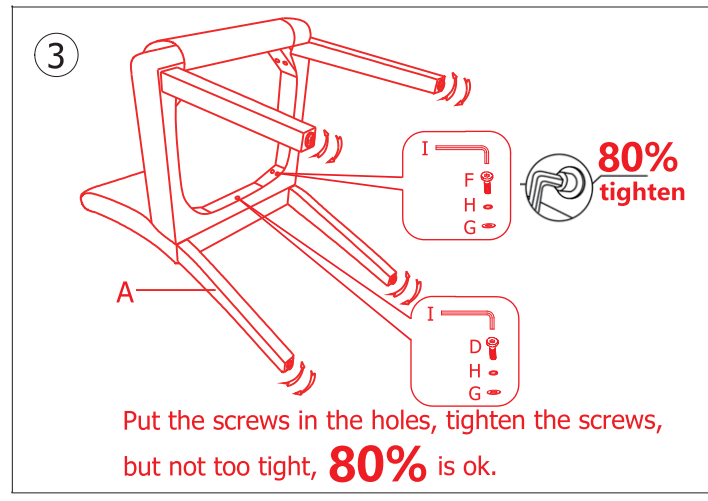
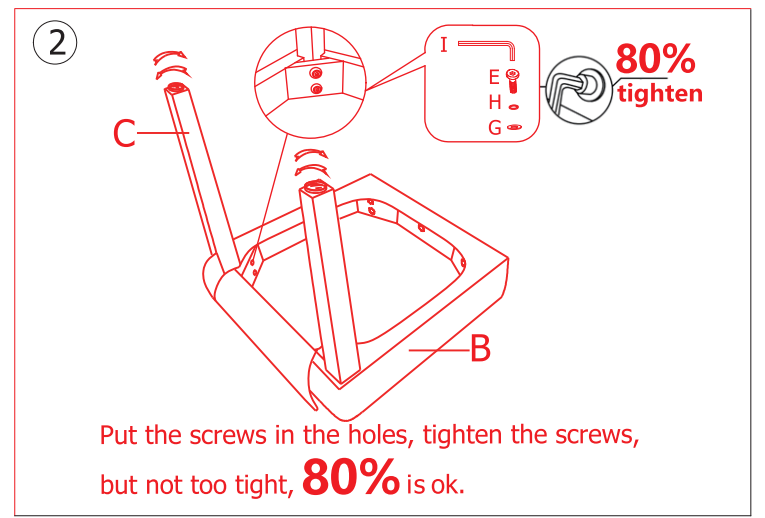
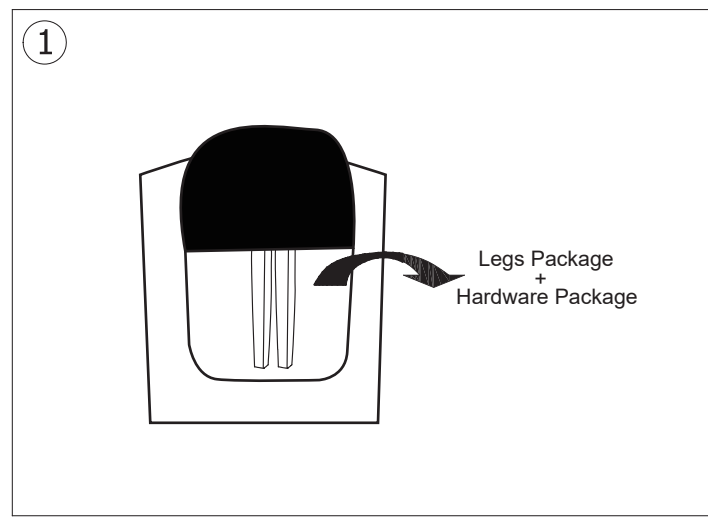
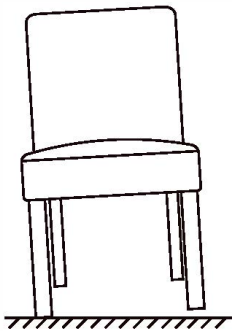
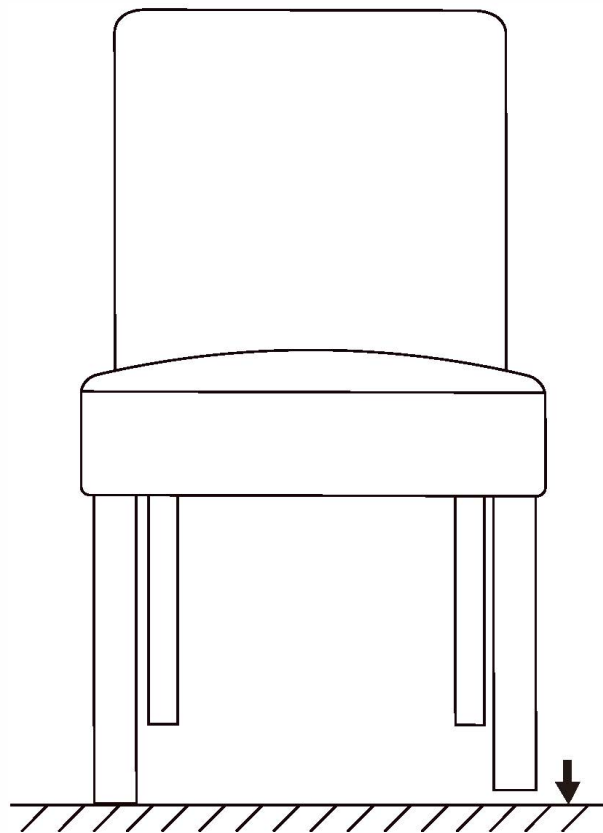


<p>Ax1</p>  <p>Back</p>	<p>Fx4</p>  <p>M8x80MM</p> <p>Screw</p>
<p>Bx1</p>  <p>Seat</p>	<p>Gx9</p>  <p>Plain cushion</p>
<p>Cx2</p>  <p>Front legs</p>	<p>Hx9</p>  <p>Spring cushion</p>
<p>Dx1</p>  <p>M8x55MM</p> <p>Screw</p>	<p>Ix1</p>  <p>M8</p> <p>Allen key</p>
<p>Ex4</p>  <p>M8x65MM</p> <p>Screw</p>	





DEAR CUSTOMERS, IF THE CHAIR IS UNEVEN OR WOBBLE, PLS TRY↓



- 1 Pay attention to the step^③ of the instruction manual

DO NOT over tighten the bolts, **80%** is enough.

Turn chair upright and sit on it to adjust the legs evenly on the floor.

If no wobbles found , proceed to **100%** tighten all the bolts.

- 2 The four plastic feet are adjusted, you can turn them and adjust its height to help to make the chair stable.

