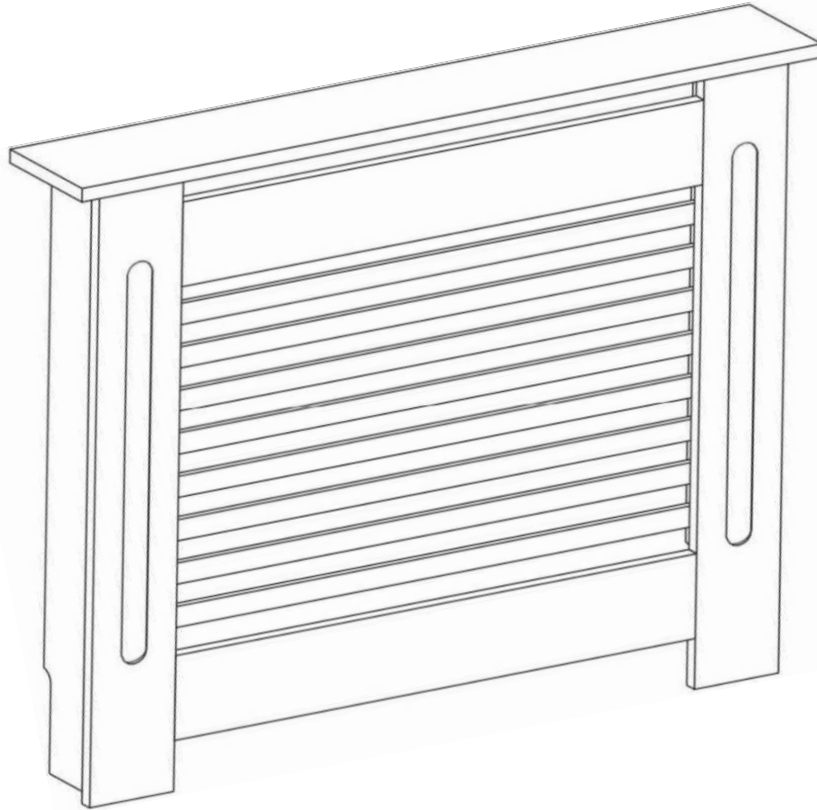


Radiator Cabinet Assembly Instructions



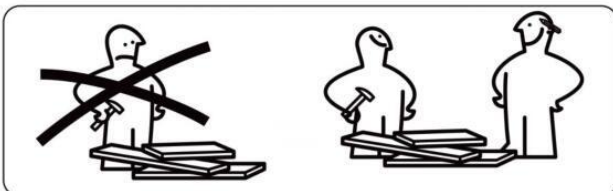
PLEASE READ this instructions carefully before assembly the product.

Please open the outer case carefully and confirm according to the instruction that all parts and hardware are complete before assembly.

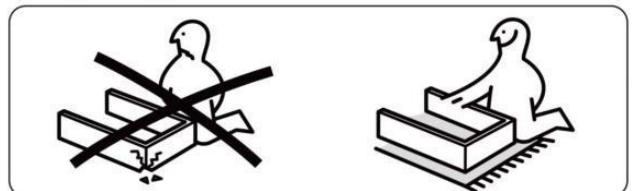
Return:

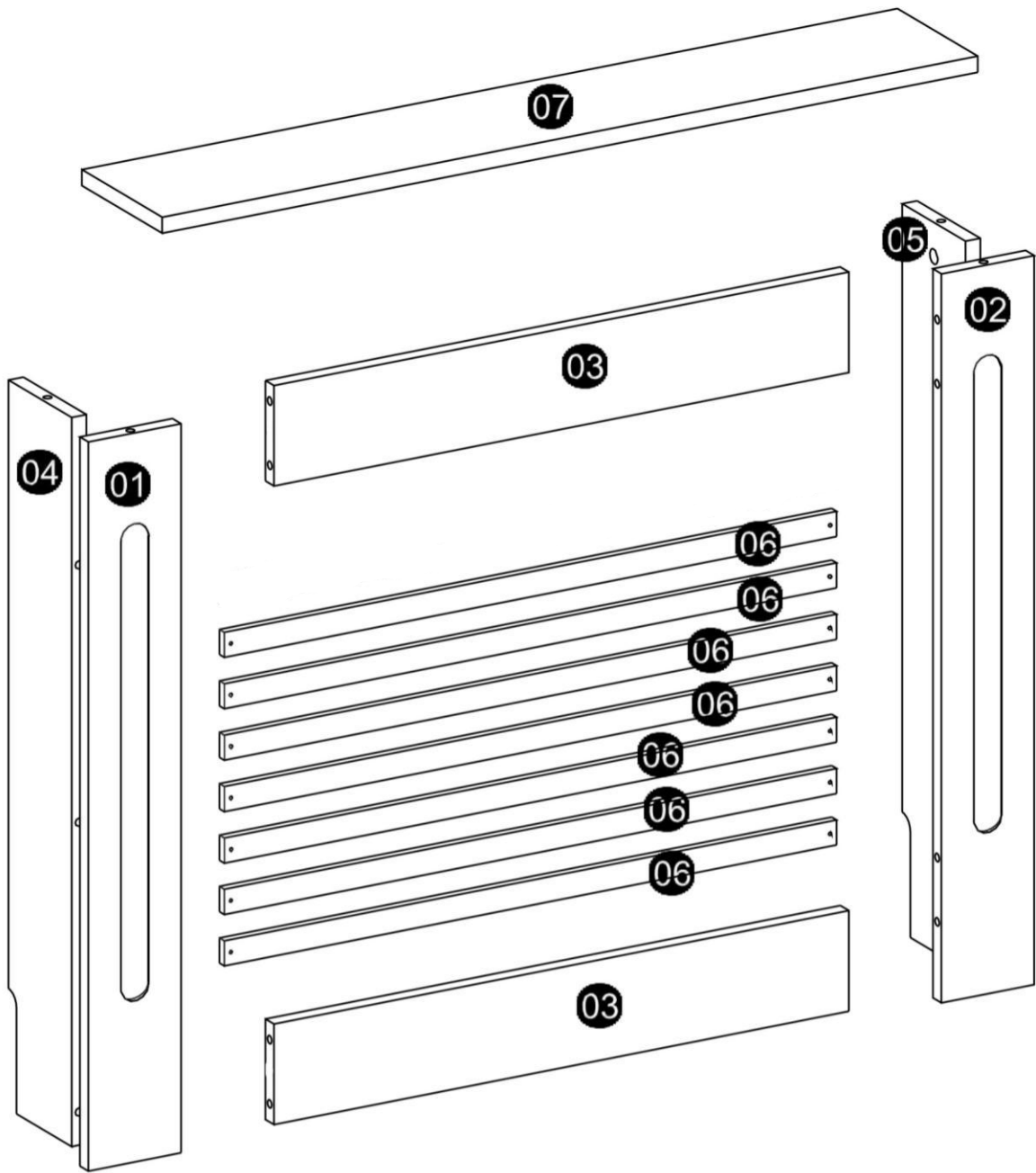
Please keep your original packages, due to the health and safety reasons, we can not accept returns without original packages.

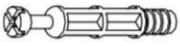




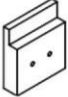
Need Two Or More People To Complete



Assemble Item On a Clean Flat Surface

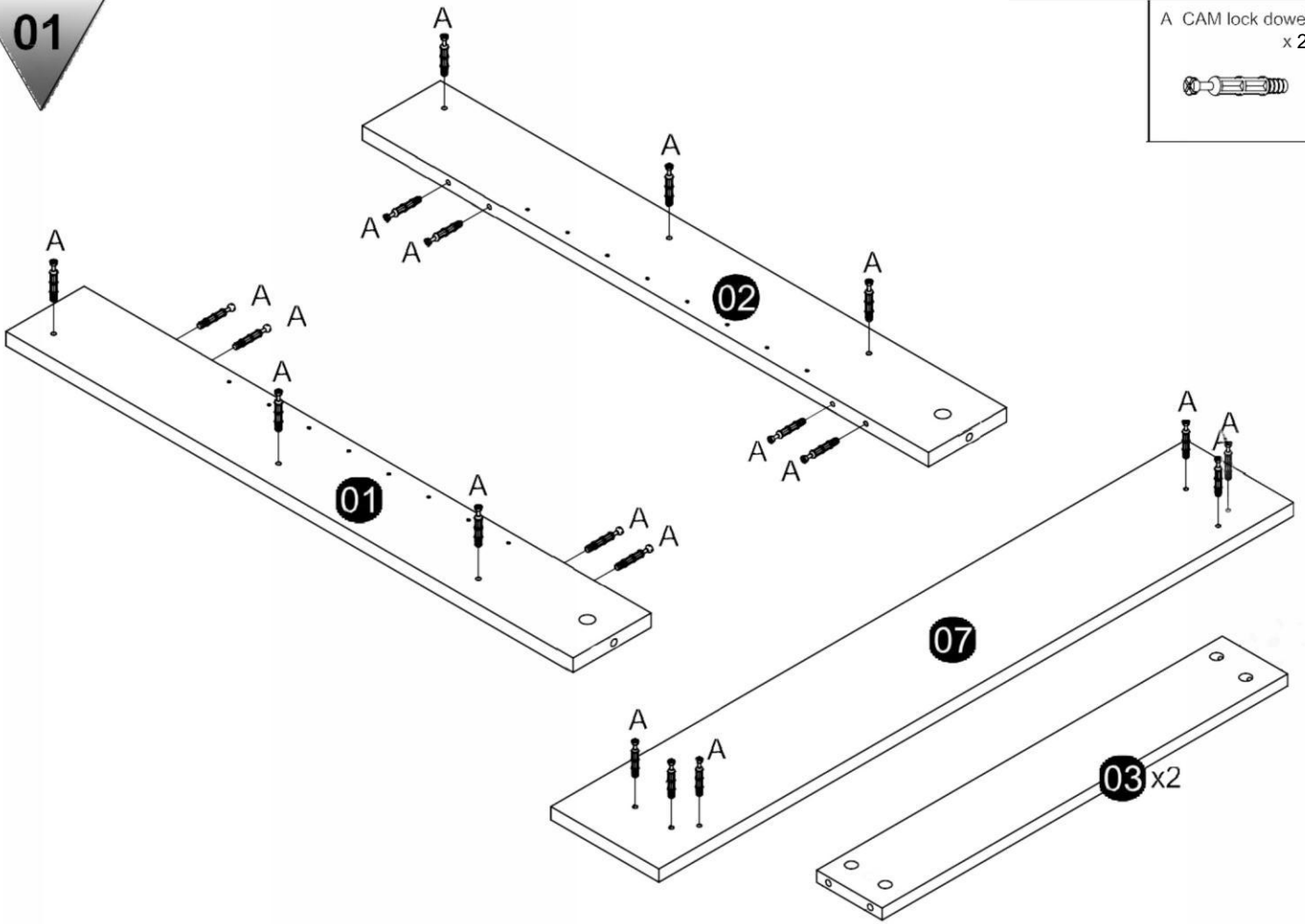




<p>A CAM lock dowel x 20</p> 	<p>B CAM lock x 20</p> 	<p>C Screw x 14</p> 	<p>D Screw x 4</p> 	<p>E Wall anchor x 4</p> 
<p>F Wood block x 2</p> 				

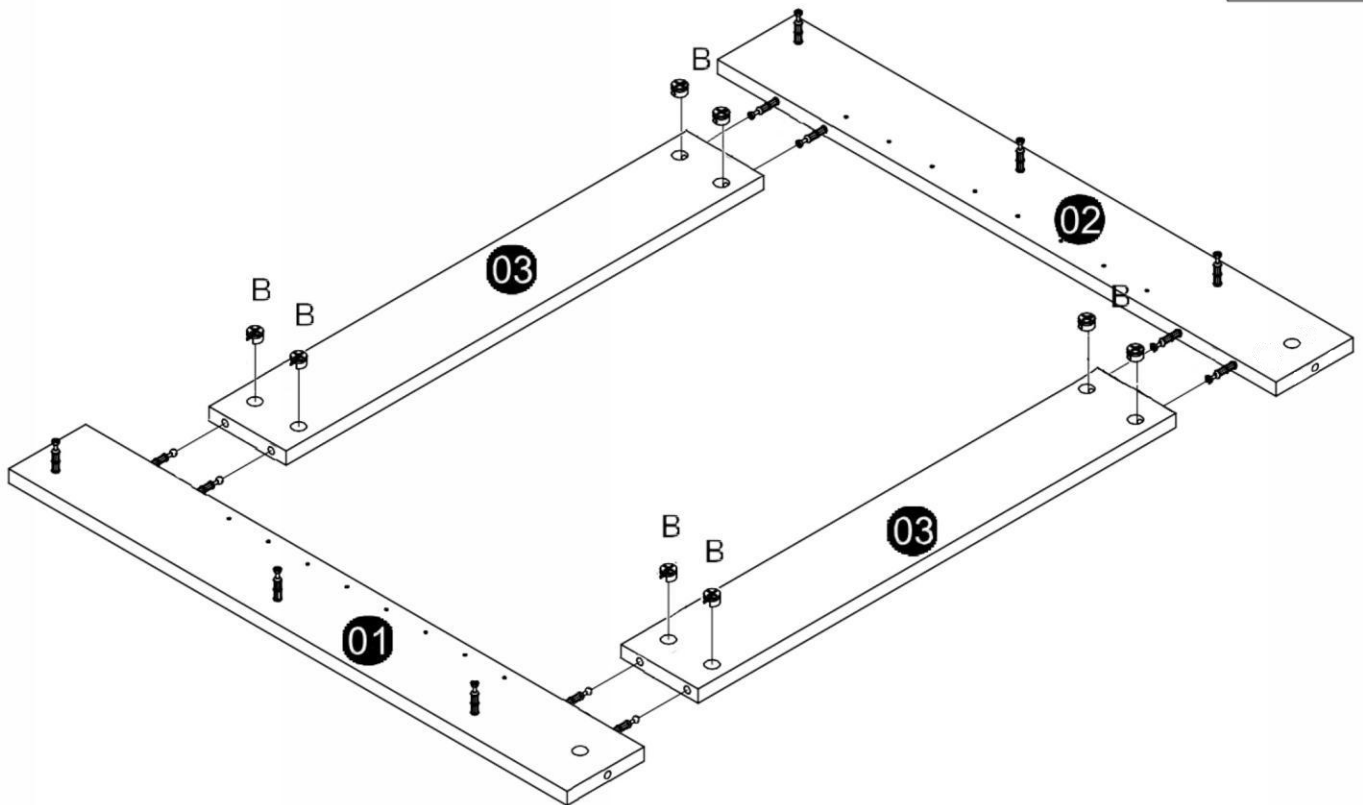
01

A CAM lock dowel
x 20



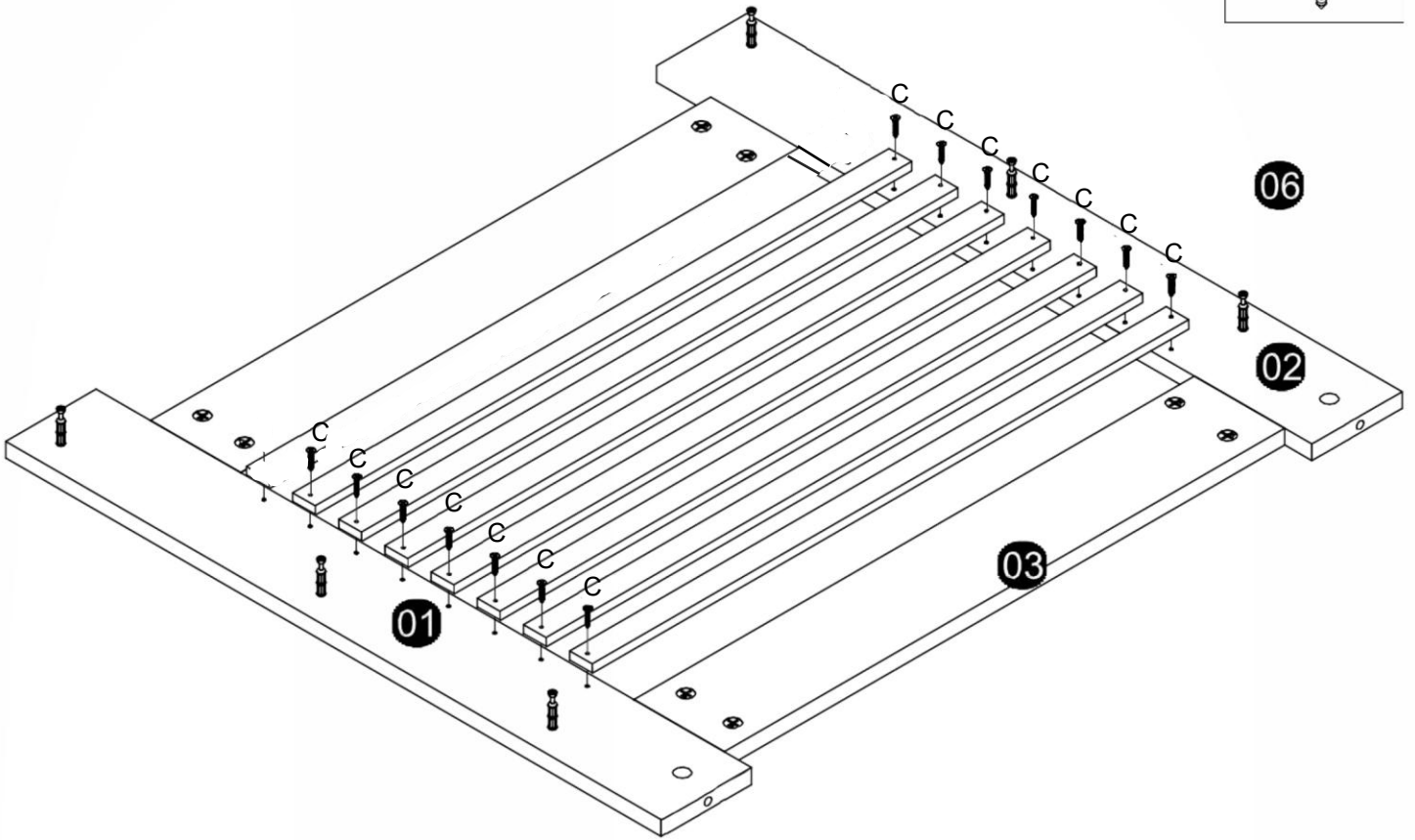
02

B CAM lock x 8



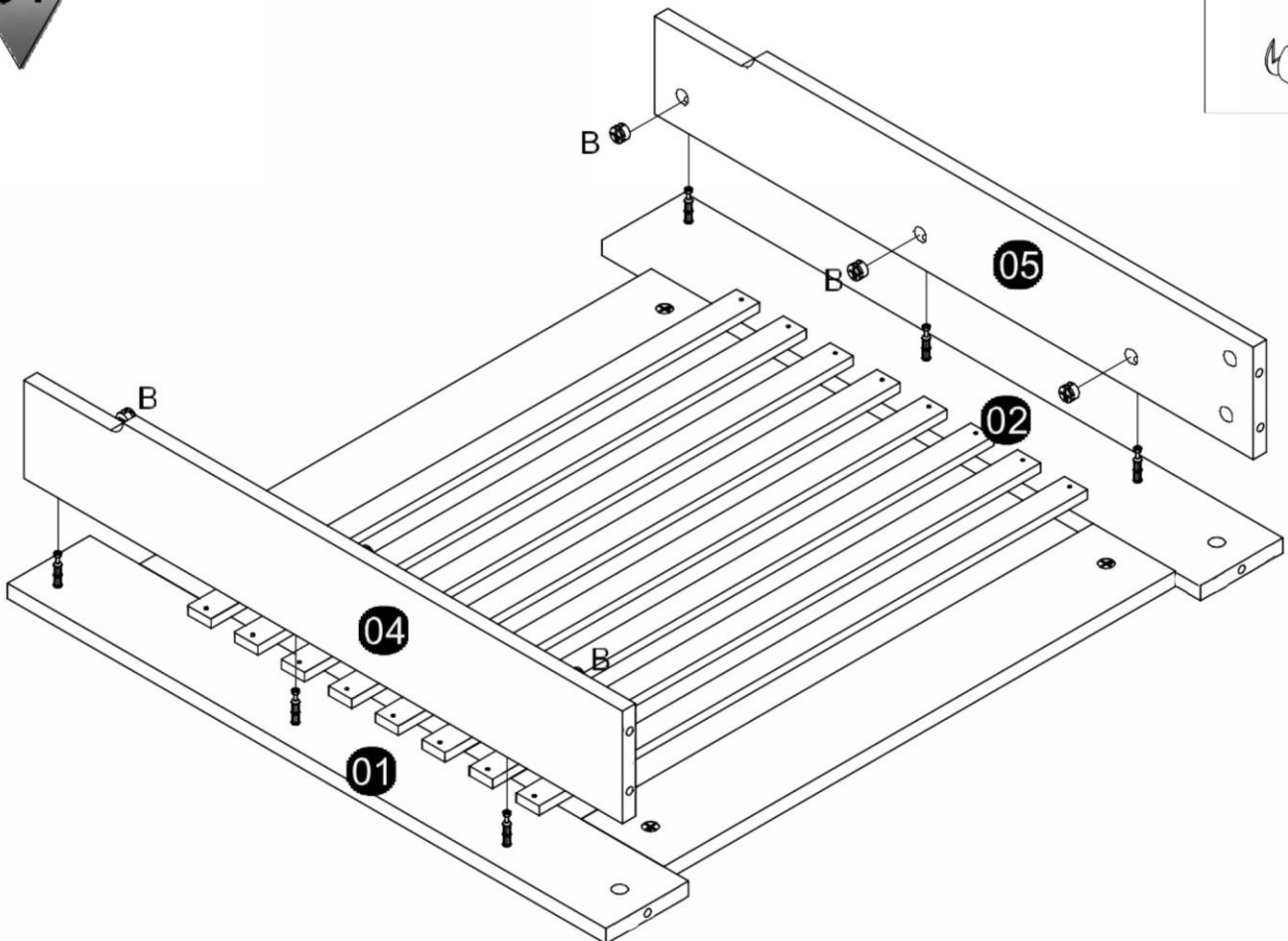
03

C Screw x 14



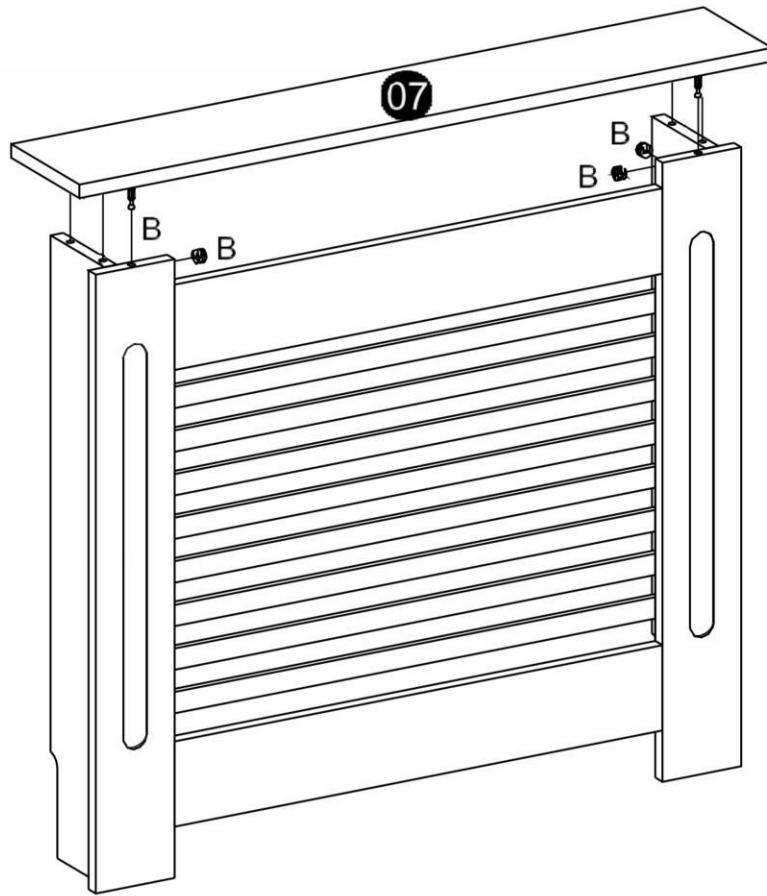
04

B CAM lock x6

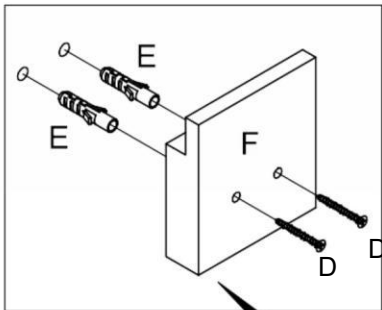





05

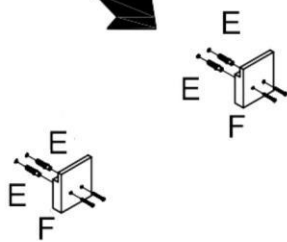
B CAM lock x

06



D Screw	x4	E Wall anchor	x4	F Wood block	x2
					



07

