

Installation Instructions

ASSEMBLY INSTRUCTIONS:

- * Before assembling, make sure that you lay out and identify all parts listed in the parts list.
- * All bolts should be hand tightened before use. Never use power tools or excessive force during assembly and tightening of bolts.
- * Please place the umbrella on a flat protected surface during assembly.

NOTES FOR USE:


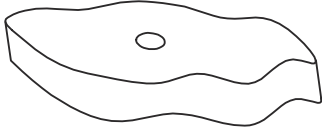
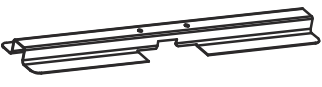
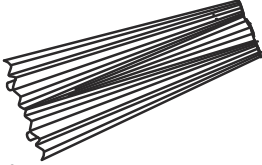
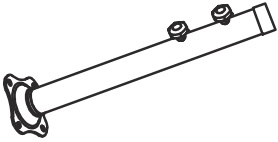






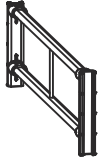

- * The first time to open the umbrella before you need to first reason under the umbrella cloth umbrella bone
- * Please can not untie the knot of the umbrella rope



CARE INSTRUCTIONS:

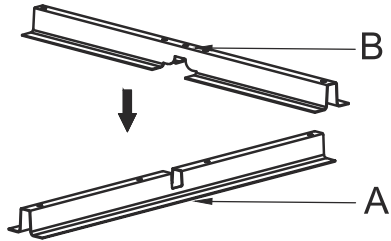
- * Powder-coated steel is durable and will last for many years of seasonal use. It is recommended to touch up or repair any scratches to the paint surface to prevent rust.
- * If you see rust, carefully sand the area using fine sandpaper and apply a rust-resistant paint that closely matches the frame color.
- * When using an umbrella with a table, always make sure the protective ring is in the umbrella hole and the umbrella is secured using a sturdy umbrella base.
- * Never use any umbrella at a table during windy conditions.




Contact Phone Number: 888-257-3857
Service Contact: service@casainc.com
Website: www.casainc.com

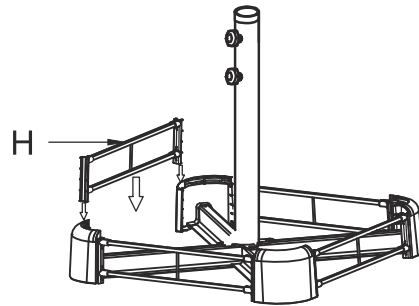
 Stand A	A	1	 Base Cover (Fabric)	K	1
 Stand B	B	1	 Umbrella Body	L	1
 Foot Tube	C	1	 Pole	M	1
 Screw	D	4	 solar panel	N	3
 Spacer	E	4			
 Wrench	F	1			
 Corner Protector	G	4			
 Base Frame	H	4			
 Sand Bag (Fabric)	J	2			

	Ax1
	Bx1







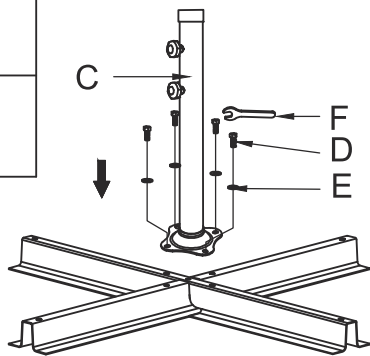
STEP1:

	Hx4
---	-----




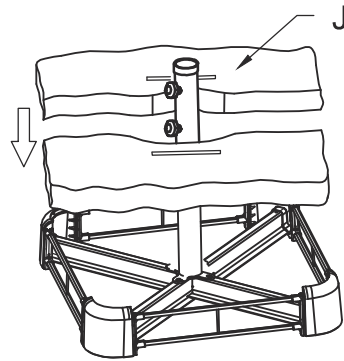
STEP4:

	Cx1
	Dx4
	Ex4
	Fx1



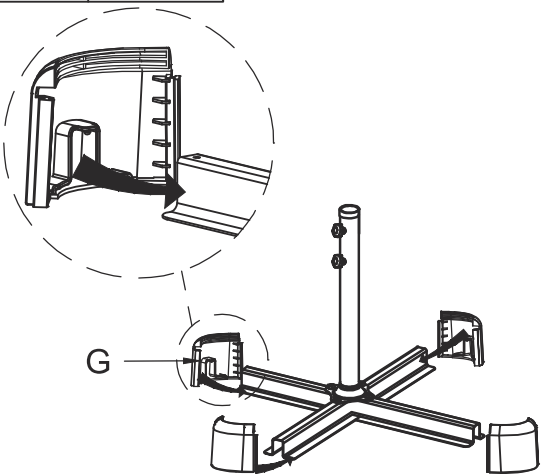
STEP2:

	Jx2
---	-----



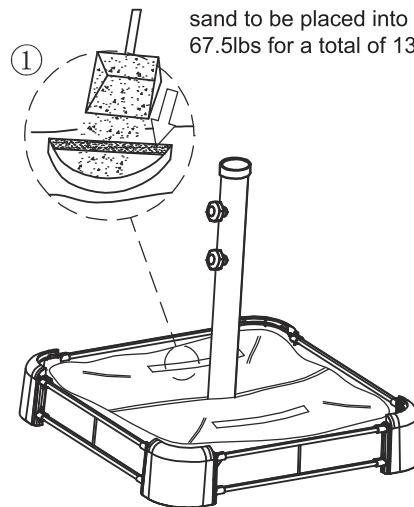
STEP5:

	Gx4
---	-----

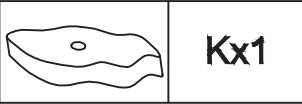


STEP3:

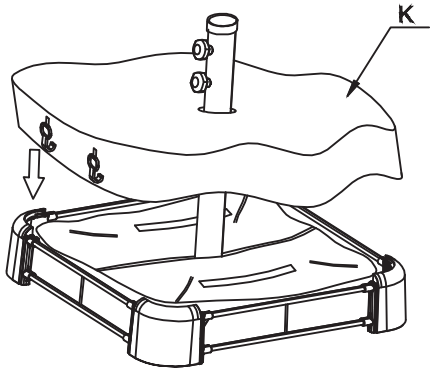
For proper stability of your offset umbrella. The recommended minimum weight of the sand to be placed into each sand bag is 67.5lbs for a total of 135lbs.



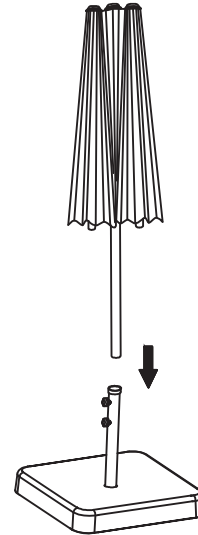
STEP6:



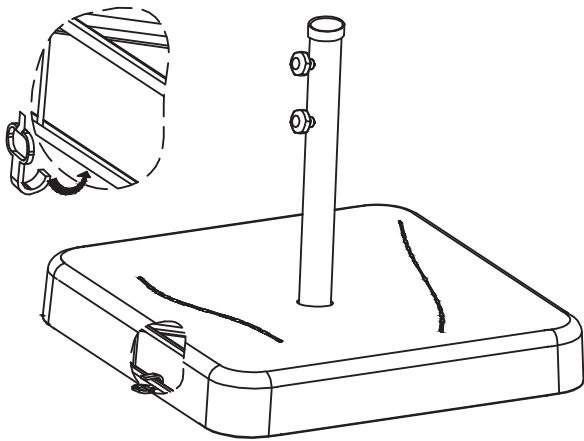
Kx1



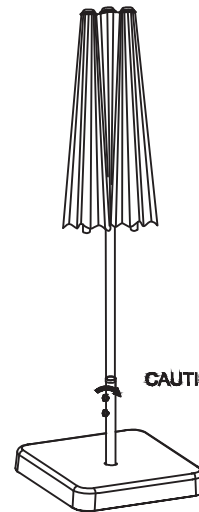
STEP7:



STEP10:

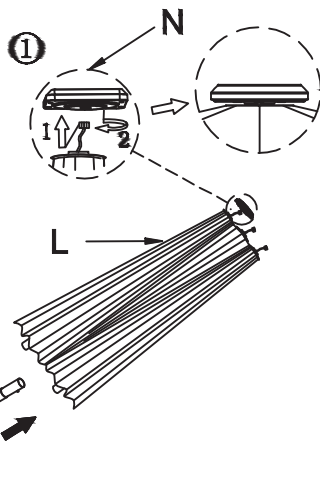
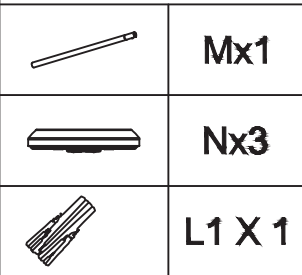


STEP8:

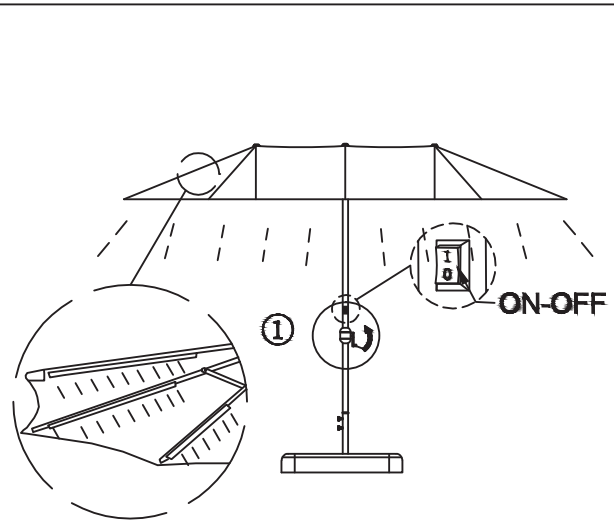


CAUTION: Fully tighten the two bolts.

STEP11:



STEP9:



STEP12:



Call us First !
DO NOT RETURN TO STORE

For immediate help with assembly or product information

call our number:

888-257-3857

Or E-mail:

service@casainc.com

Our staff is ready to provide assistance

M-F 9:00 AM to 5:00 PM EST