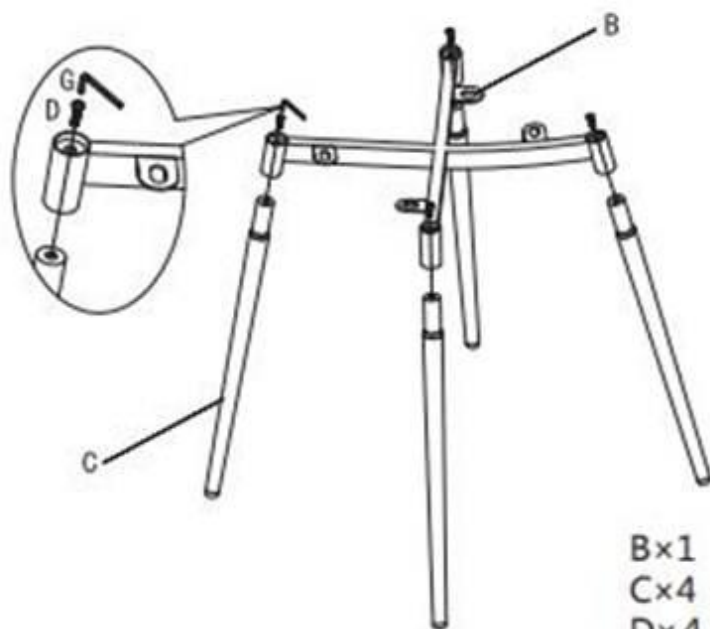


ASSEMBLY INSTRUCTIONS

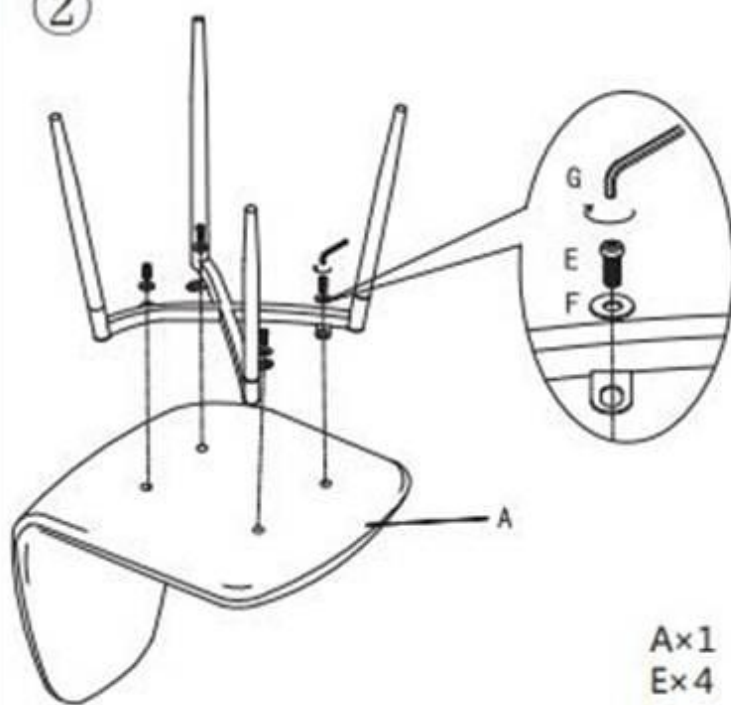


①

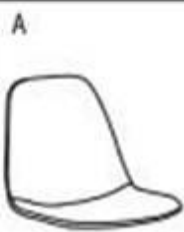


Bx1
Cx4
Dx4
Gx1

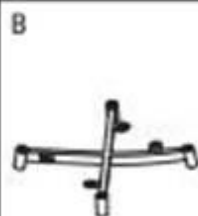
②



Ax1
Ex4
Fx4
Gx1



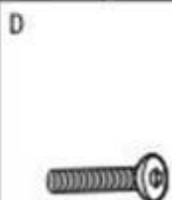
1x



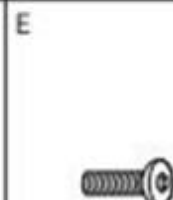
1x



4x



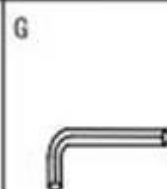
M8x30mm
4x



M6x16mm
4x



6x18mm
4x



1x