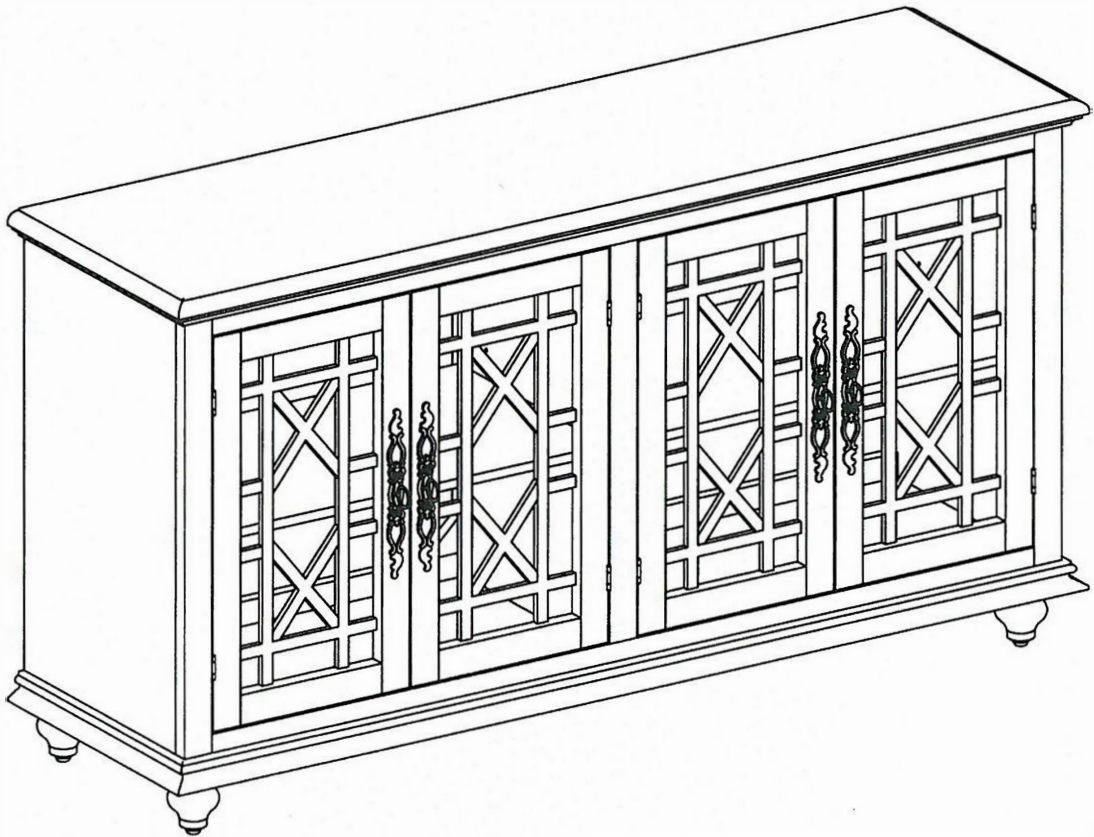
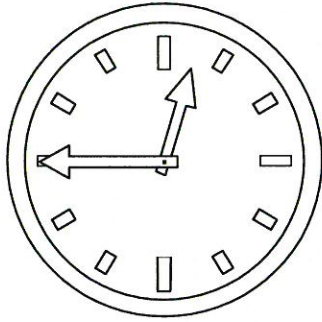


# Assembly Instructions

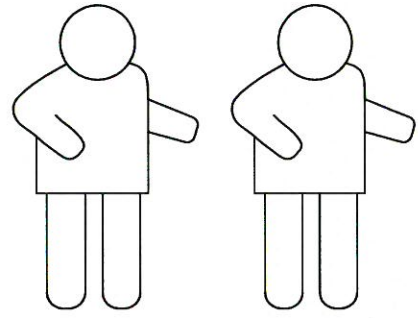
WARRANTY LABEL  
WARRANTY INFORMATION  
WARRANTY SERVICE  
WARRANTY PARTS  
WARRANTY RETURN

For detailed information on the warranty  
please visit us at [www.woodcraft.com](http://www.woodcraft.com)

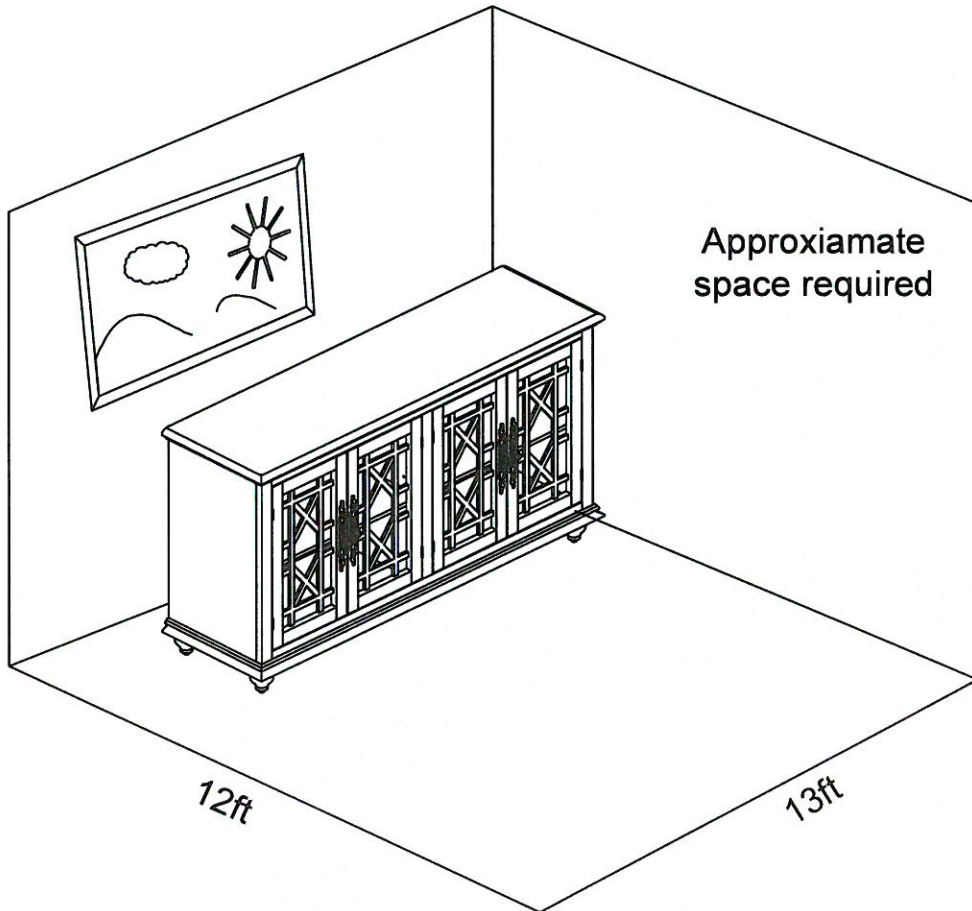




10 min



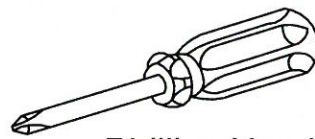
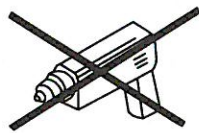
Two People Required



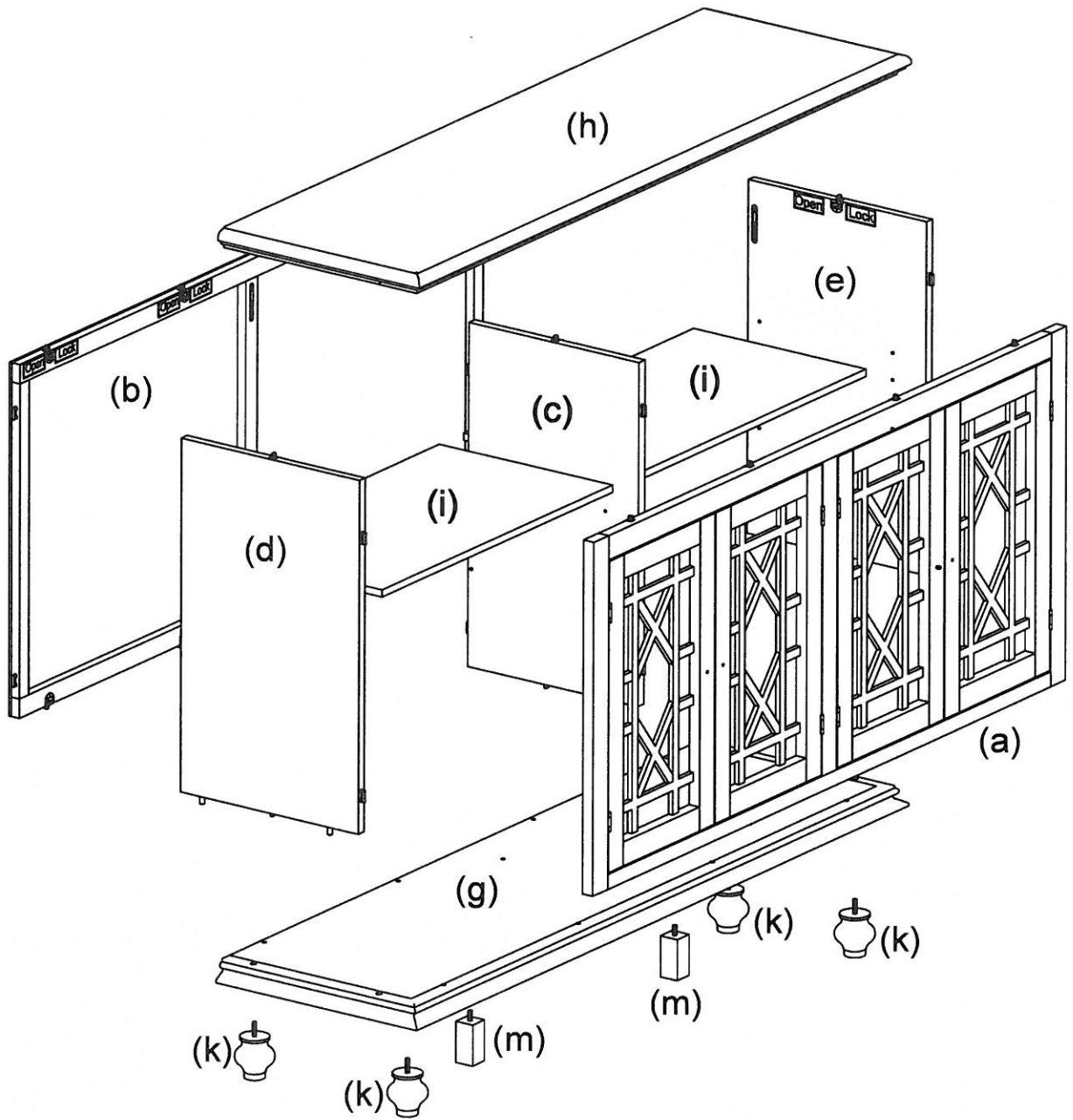
Approximate  
space required





12ft

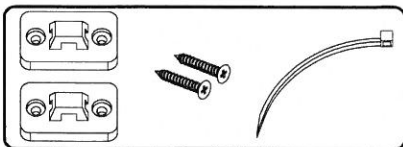
13ft



Phillips Head

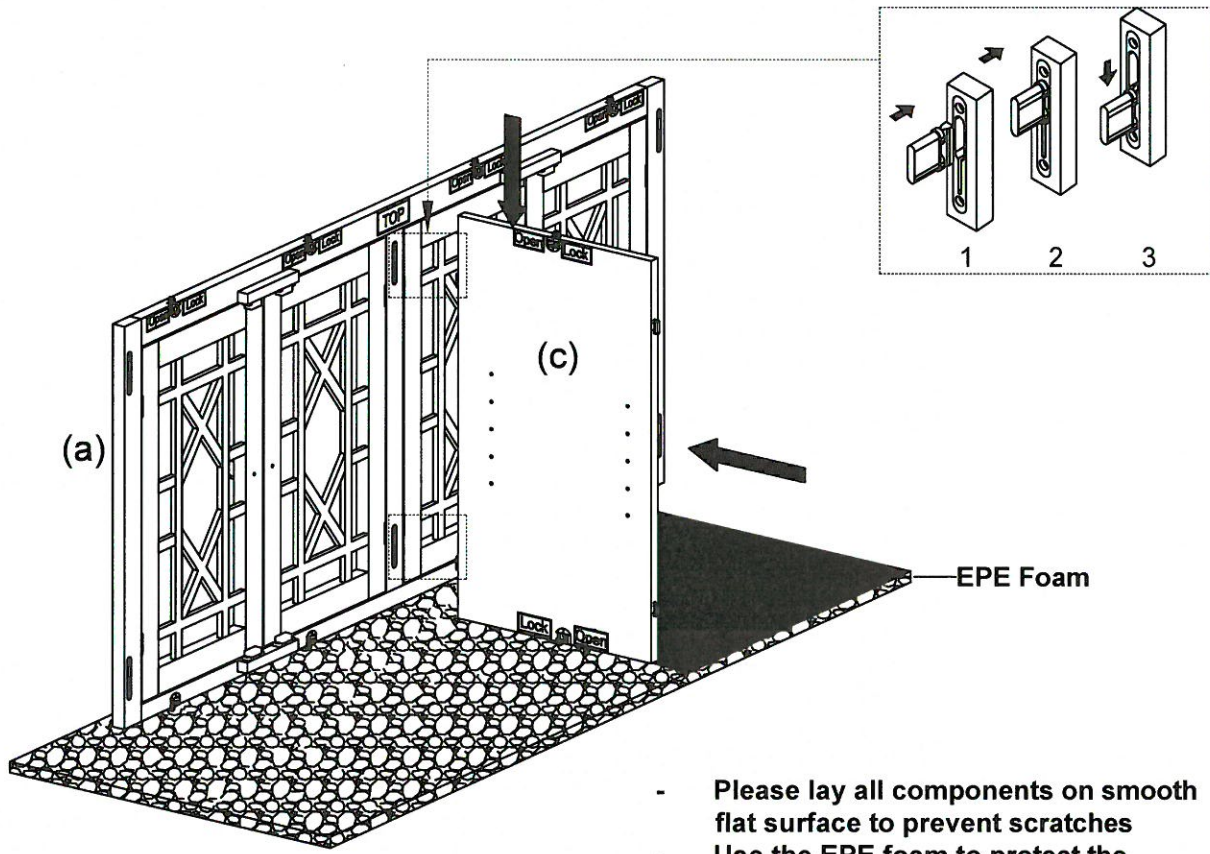


<p>A x 08</p> 	<p>B x 08</p>  <p>Ø3.5x15 (mm)</p>	<p>C x 04</p> 	<p>D x 04</p>  <p>Ø4x30 (mm)</p>
---	---	---	--



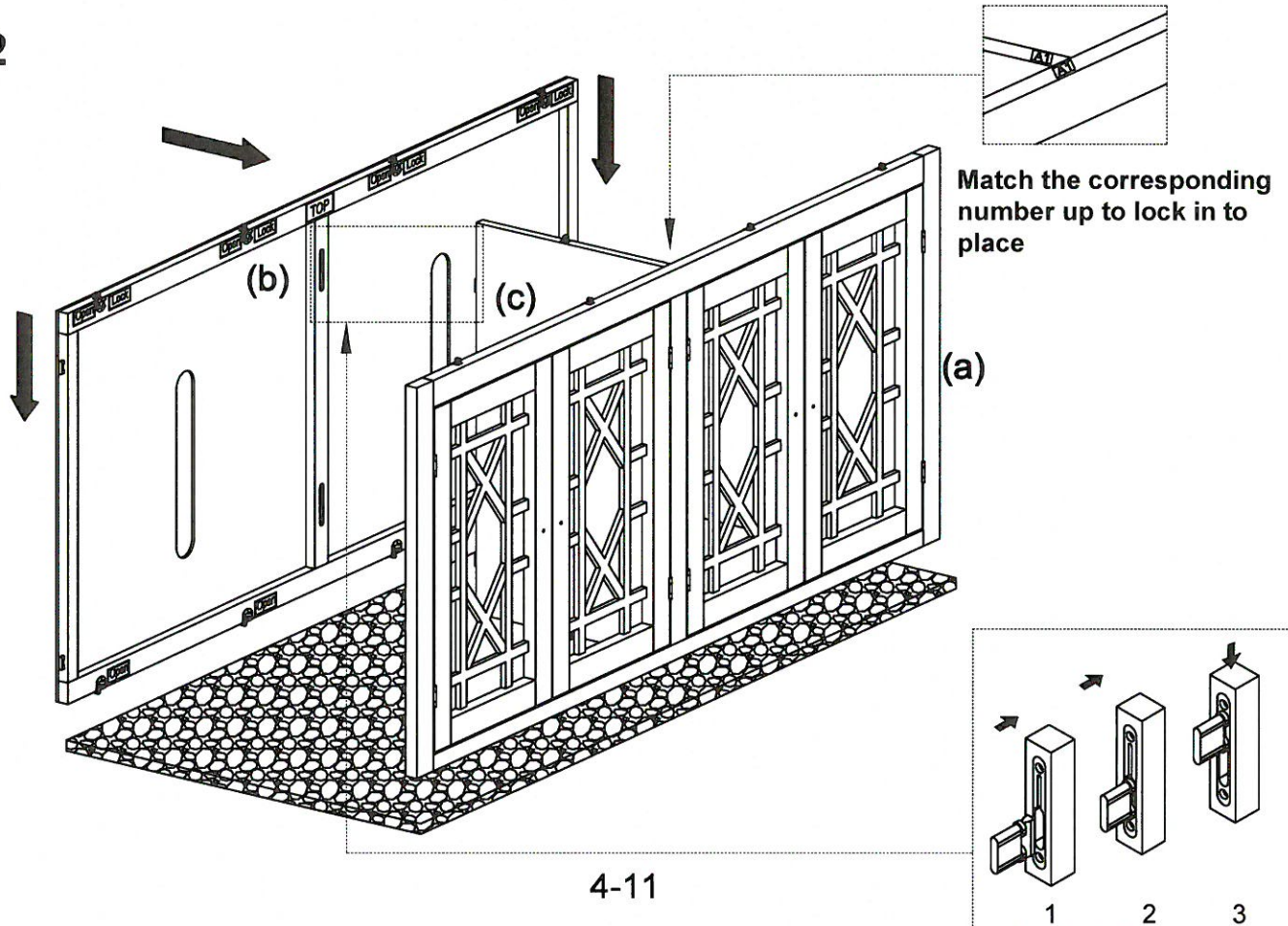
**ANTI-TIP SET**

1

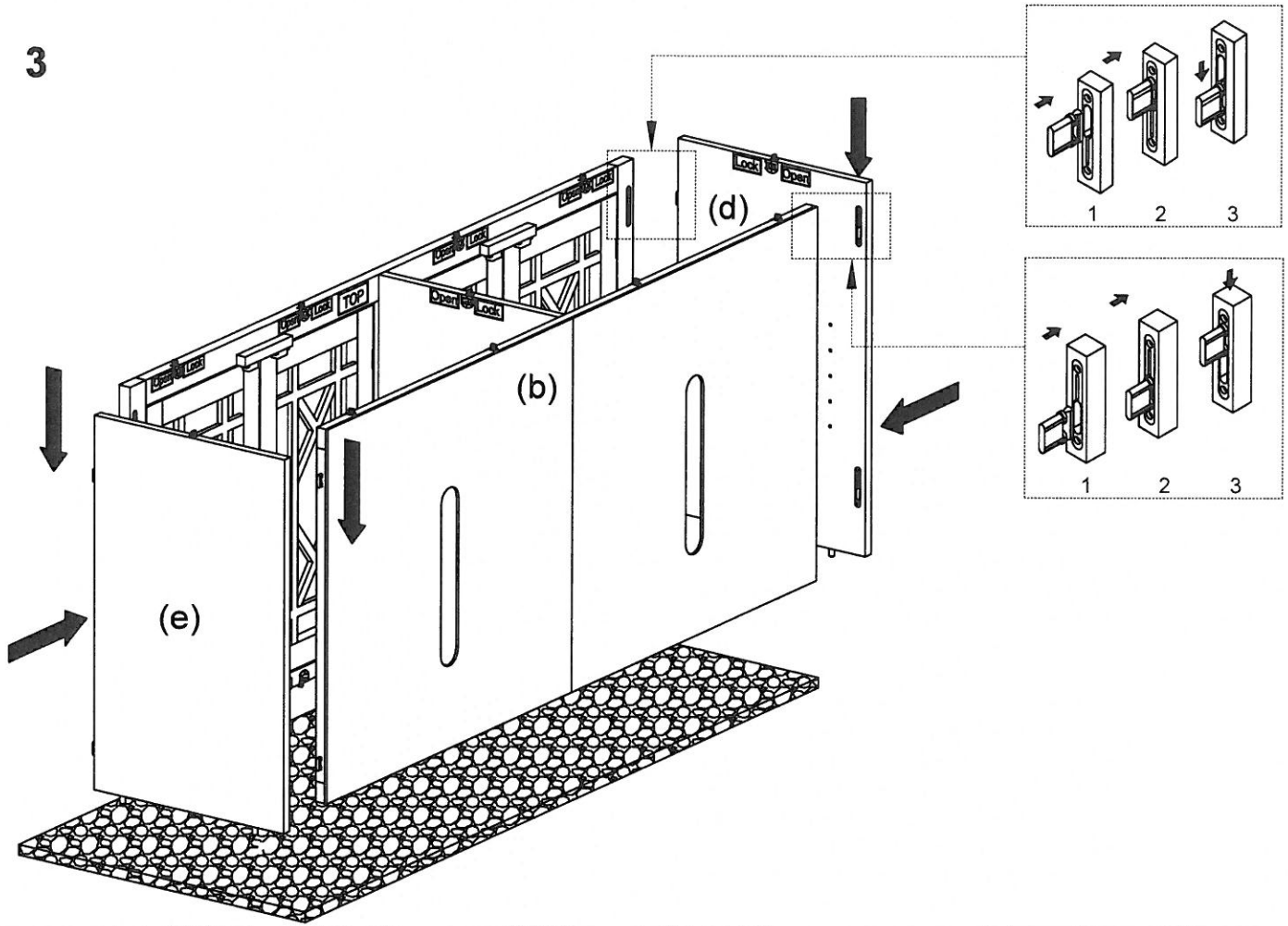


- Please lay all components on smooth flat surface to prevent scratches
- Use the EPE foam to protect the plastic hardware before assembly

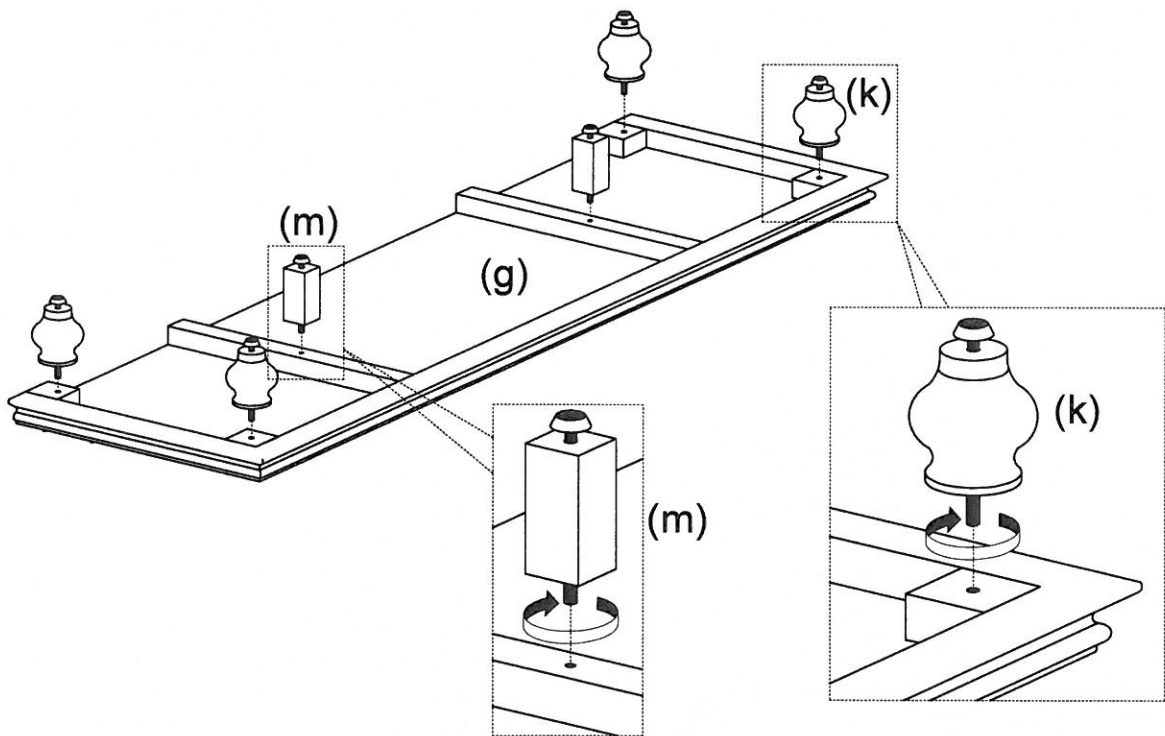
2



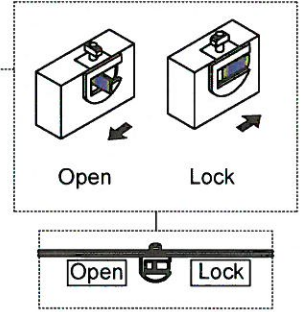
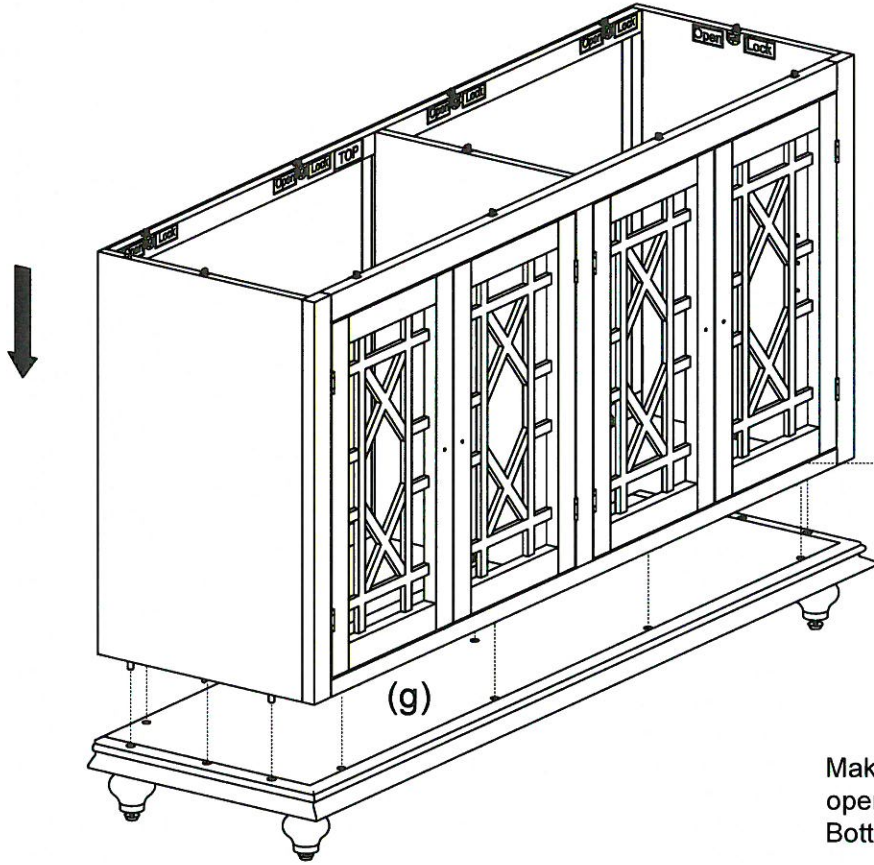
3



4

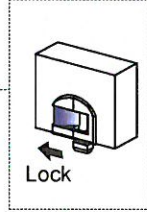
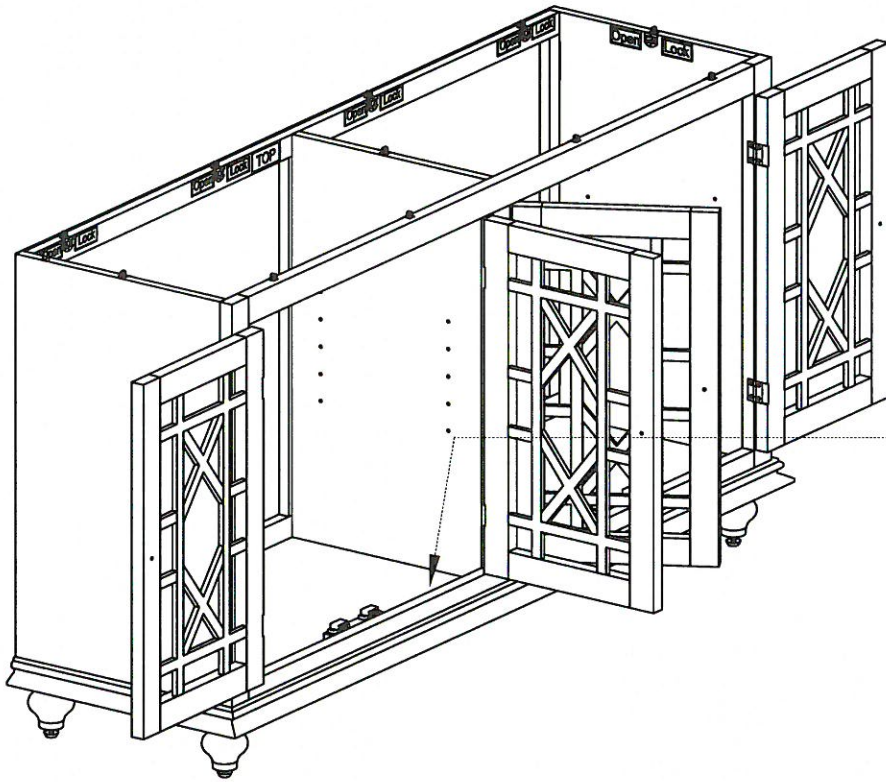


5



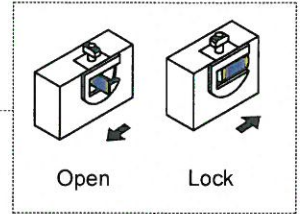
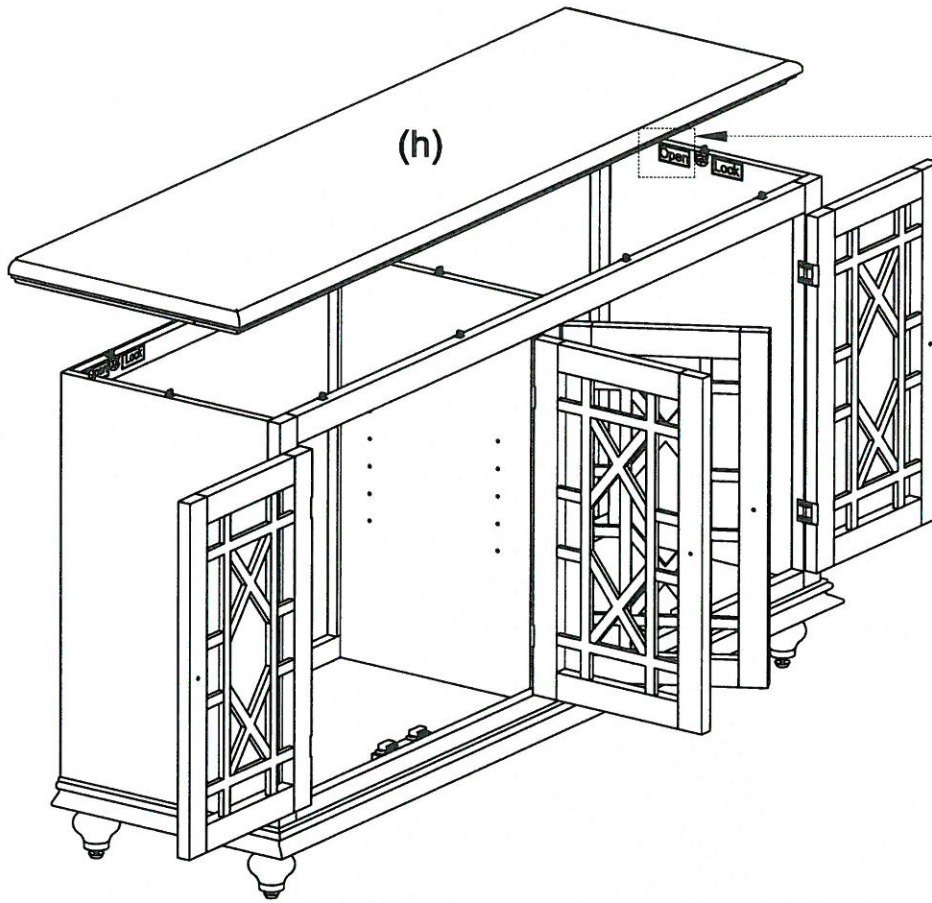
Make sure all latches are in the open position before installing Bottom Panel (g)

6

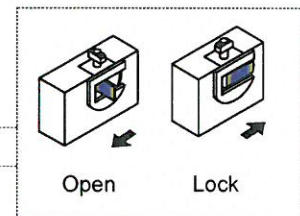
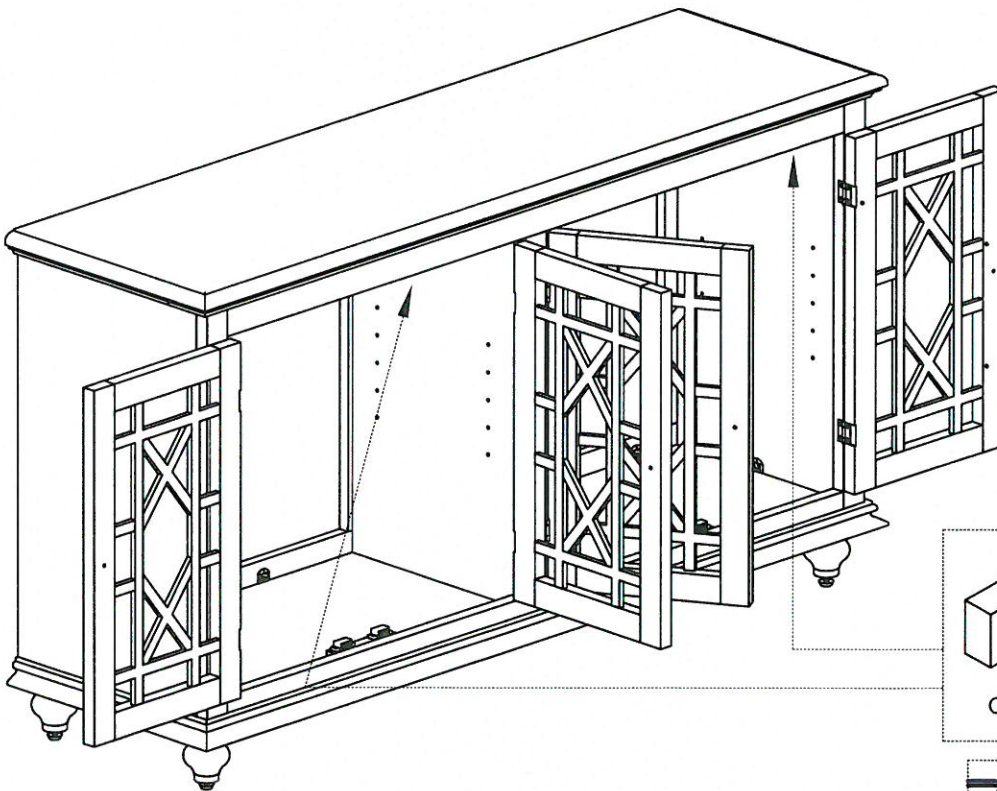


Make sure all latches are in the locked position

7



Make sure all latches are in the open position before installing Top Panel (h)

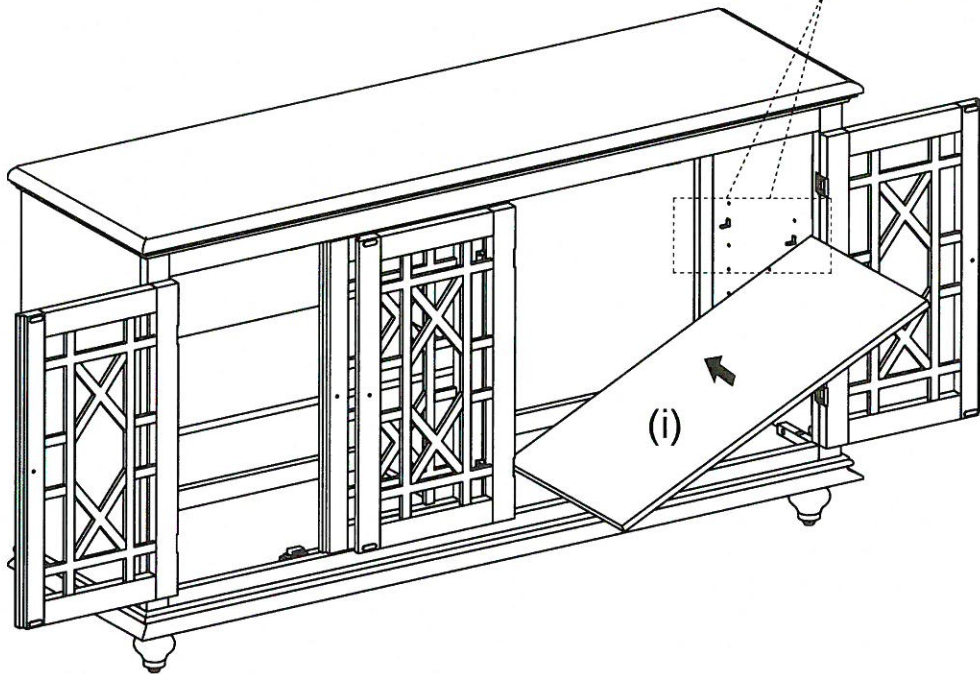
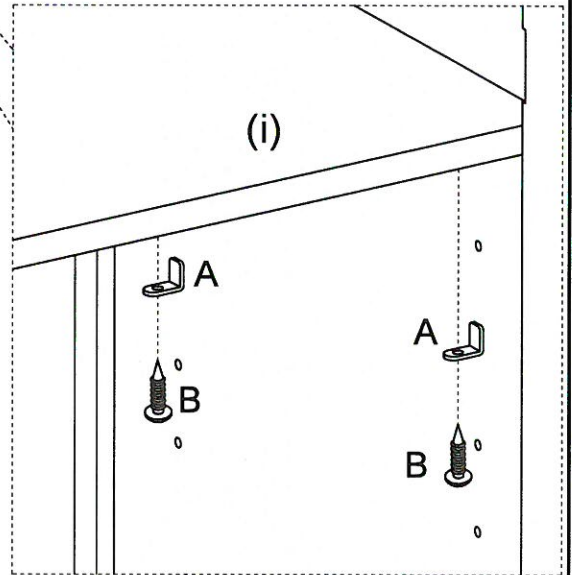
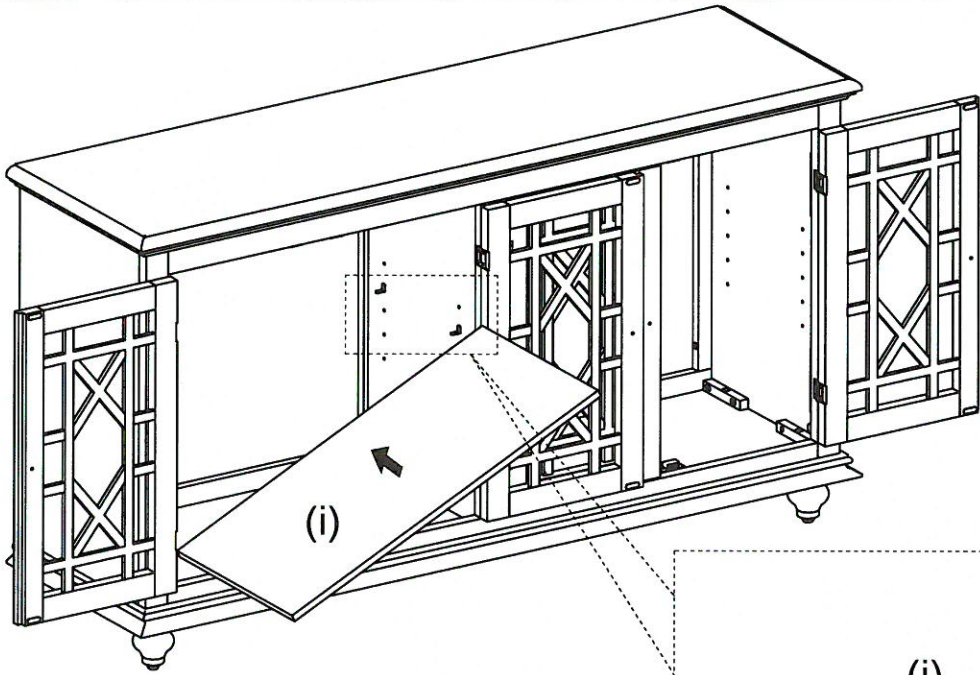


Make sure all latches are in the locked position

8 A x 8



B x 8

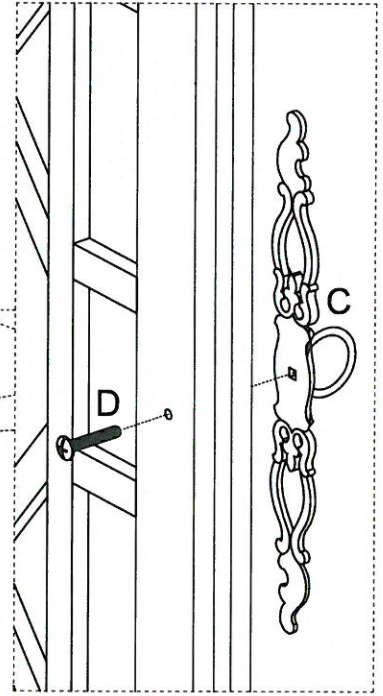
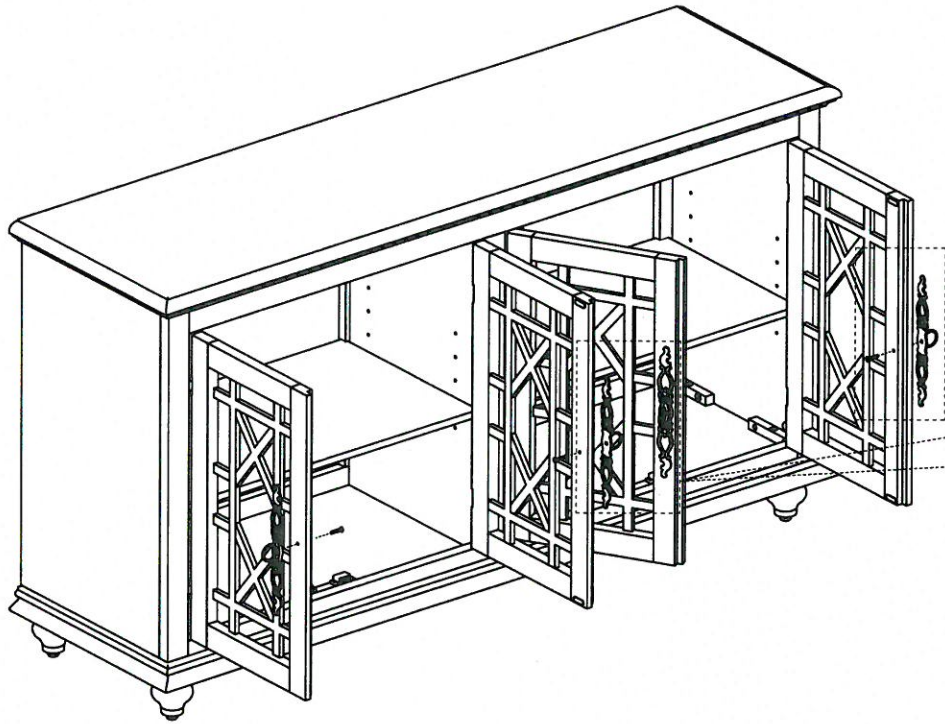


9

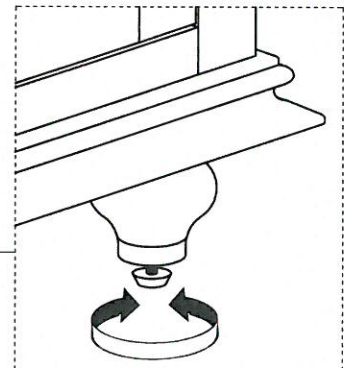
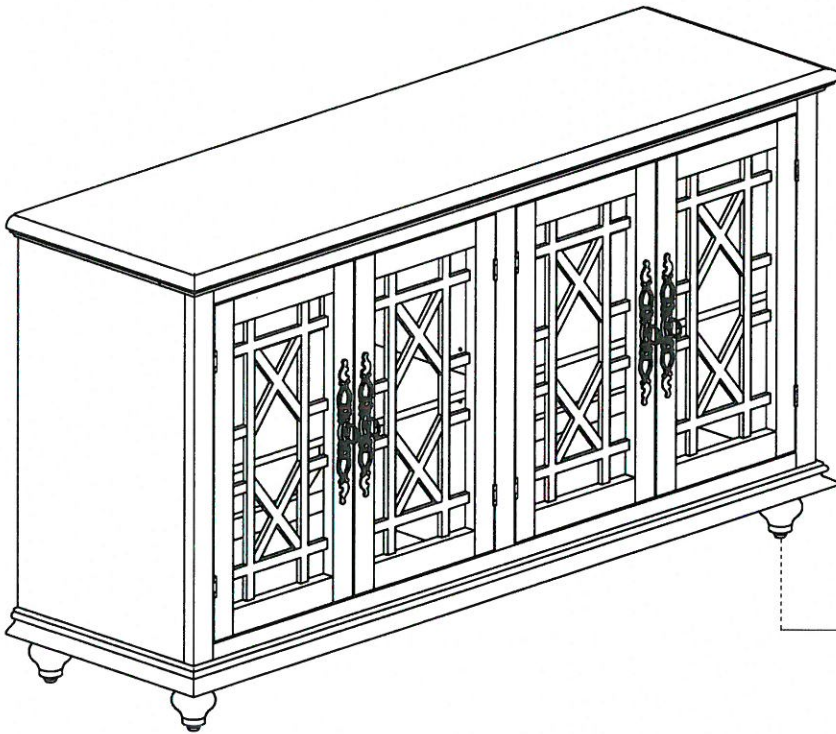
C x 4



D x 4

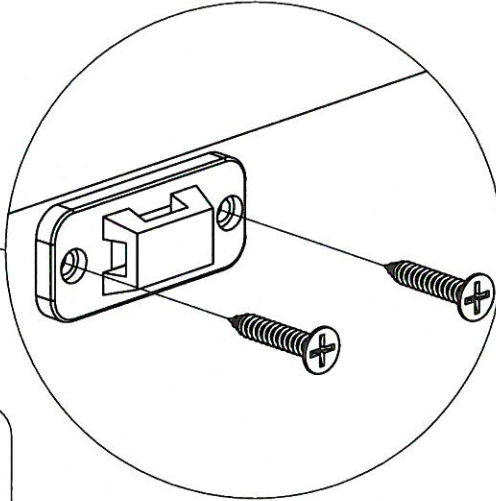
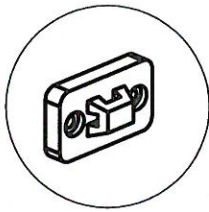
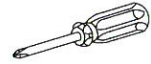


10

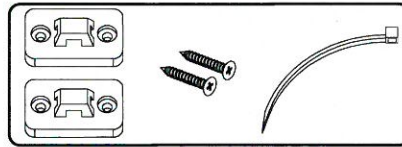


Adjustable floor leveler

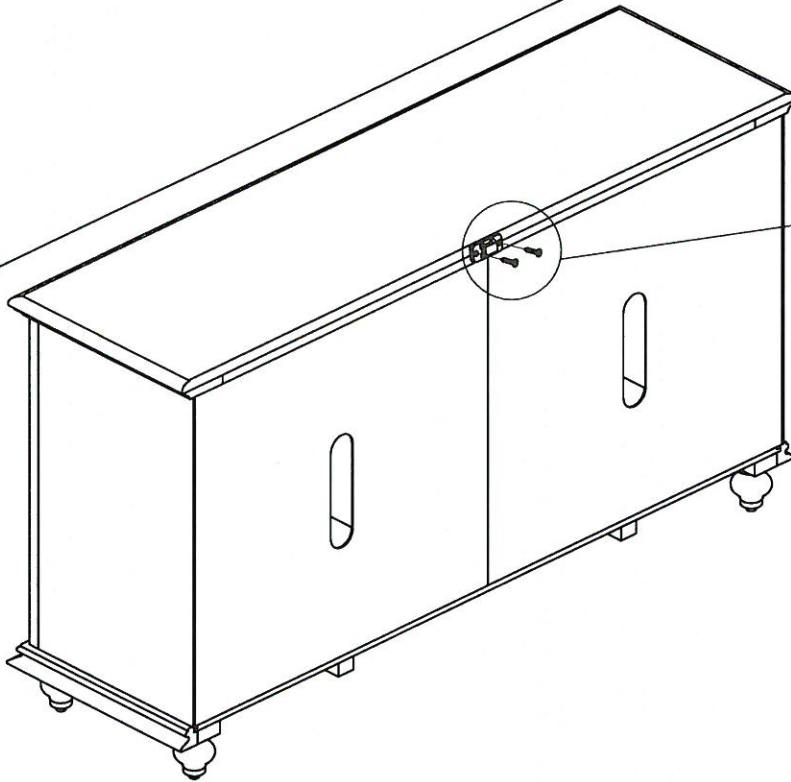
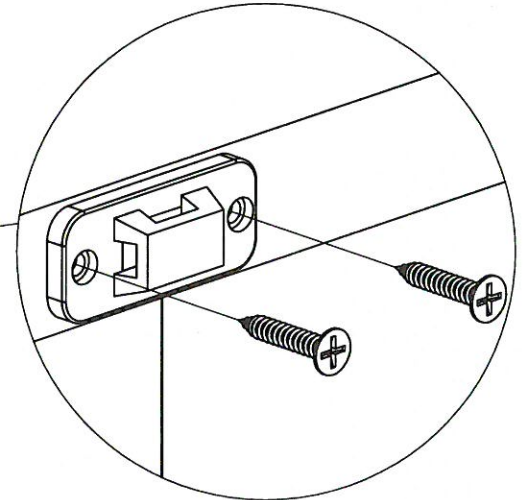
11



NOTE: As wall materials vary, screws for attaching to wall are not included. For advice on suitable screw systems, contact your local hardware / home improvement store.



**ANTI-TIP SET**



12

