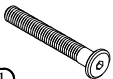




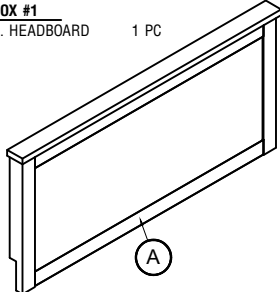
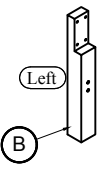
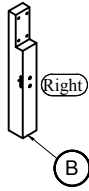
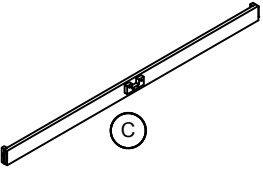
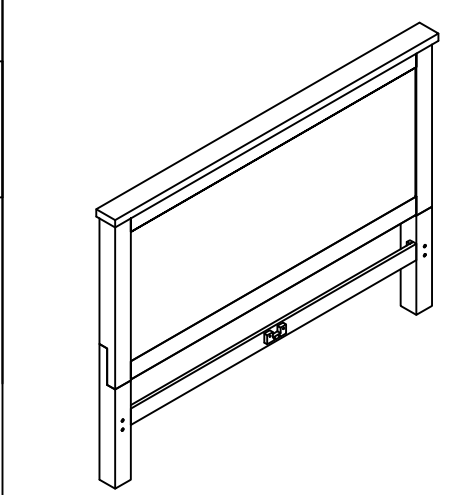


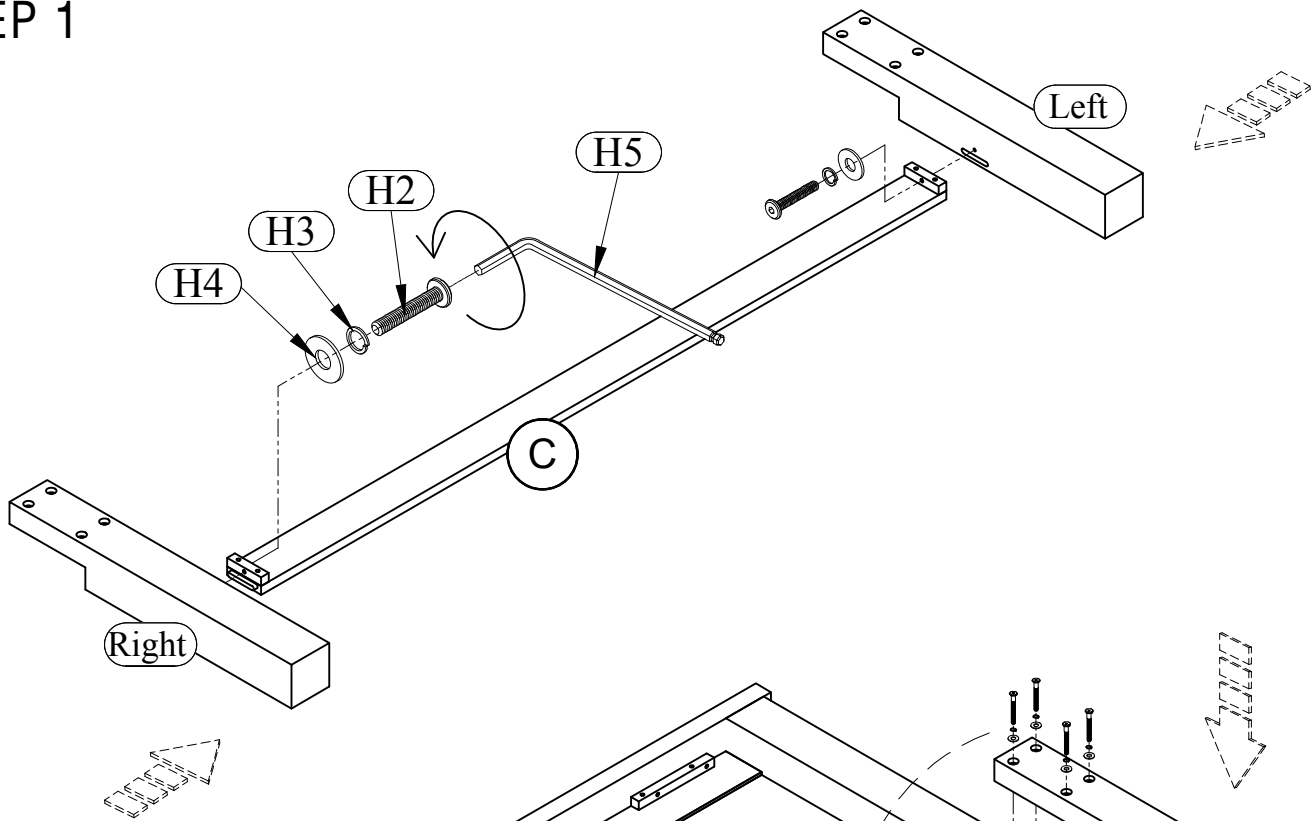
Brookfield King/ Queen Headboard Assembly Instructions

Components and Hardware List

<p>Ø8 x 60mm Allen Bolt</p>  <p>(H1) 8 pcs.</p>	<p>Ø6 x 35mm Allen Bolt</p>  <p>(H2) 2 pcs.</p>	<p>Ø9 x Ø13mm Lock Washer</p>  <p>(H3) 10 pcs.</p>	<p>Ø8 x Ø20mm Flat Washer</p>  <p>(H4) 10 pcs.</p>	<p>4 x 110mm Allen key</p>  <p>(H5) 1 pc.</p>
<p>BOX #1 A. HEADBOARD 1 PC</p>  <p>(A)</p>	<p>B. KD LEGS 2 PCS</p> <p>Left</p>  <p>(B)</p> <p>Right</p>  <p>(B)</p>	<p>C. HEADBOARD BOTTOM RAIL 1 PC</p>  <p>(C)</p>		



STEP 1



STEP 2

