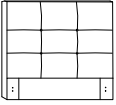

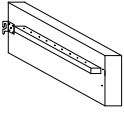
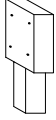

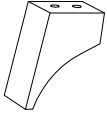

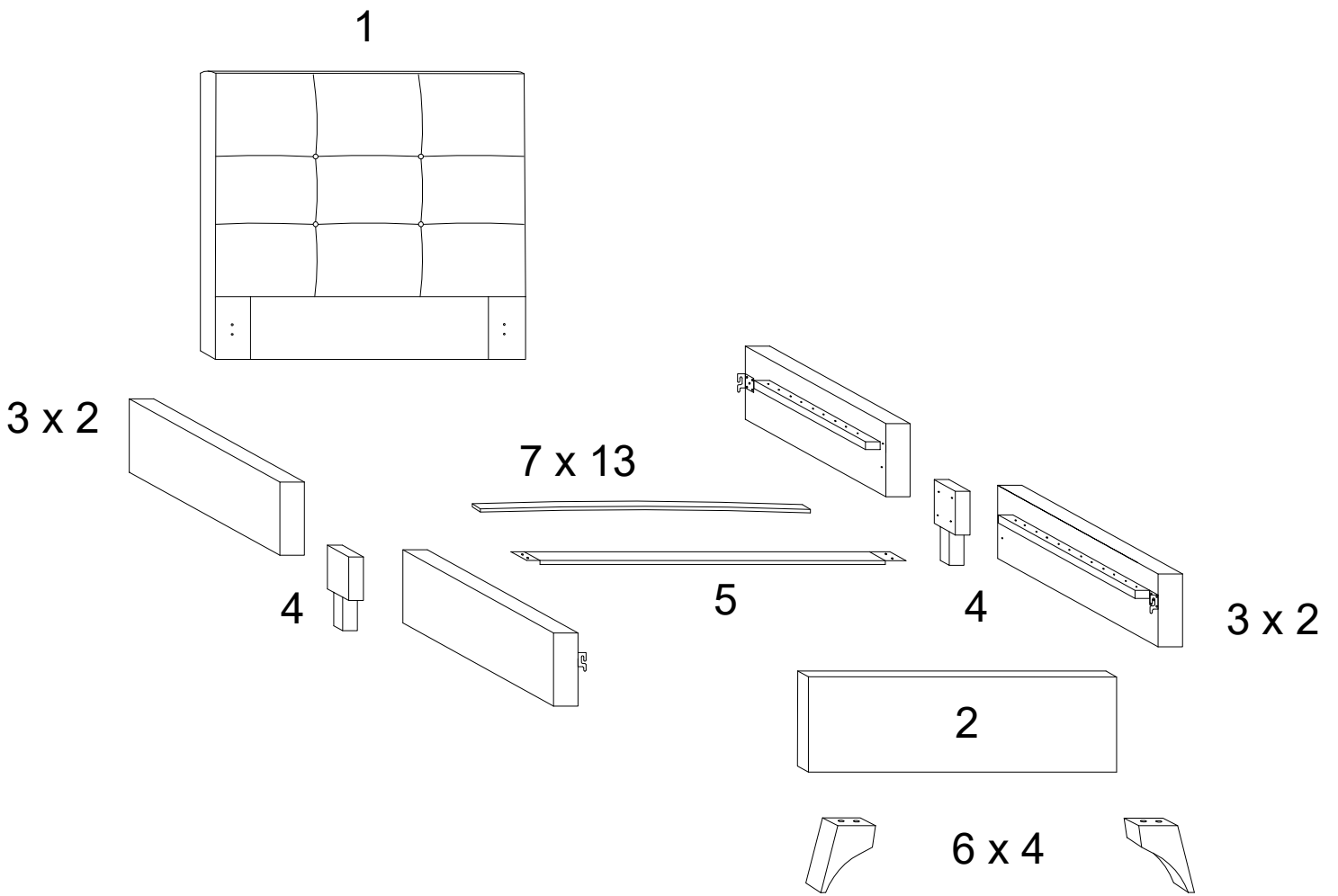

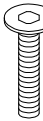

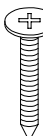
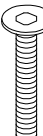
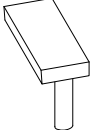


Assembly instructions for step 1/5:

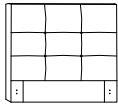



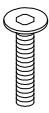
- Tools:** A circle containing an L-shaped Allen key and a screwdriver. A power drill is shown with a diagonal line through it, indicating it should not be used.
- Warning:** A triangle with an exclamation mark.
- Time:** A clock icon with the text "40'" below it.
- Personnel:** A stick figure icon with the number "2" below it.

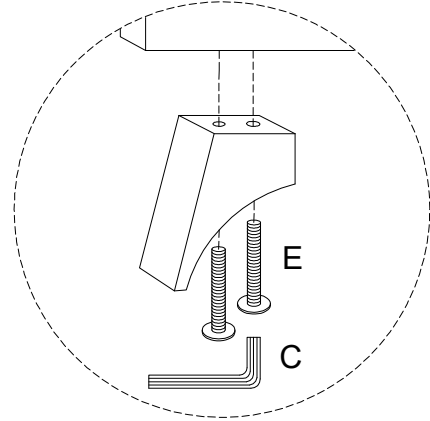
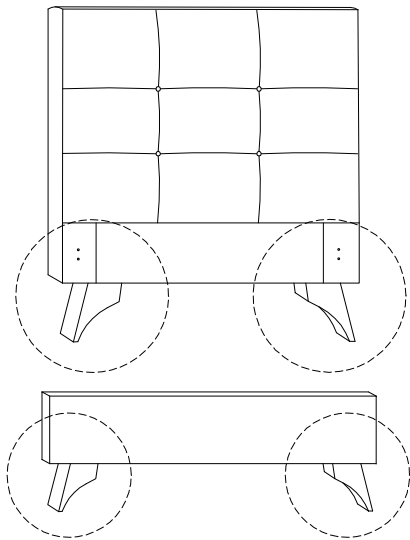
1	2	3	4	5	6	7
						
x 1	x 1	x 4	x 2	x 1	x 4	x 13



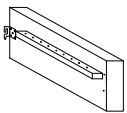
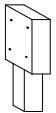
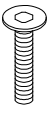

A	B	C	D	E	F
					
M5	M6 x 35	M4	M3.5 x 16	M6 x 40	
x 1	x 8	x 1	x 4	x 8	x 26

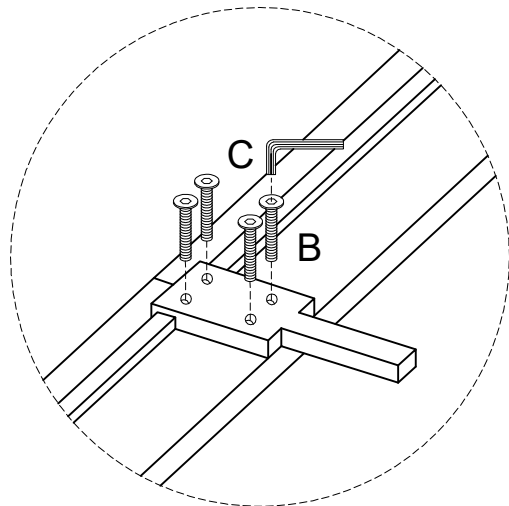
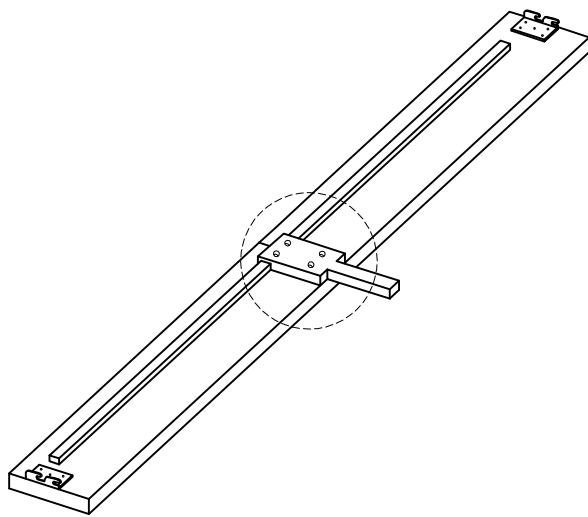
1

<p>1</p>  <p>x 1</p>	<p>2</p>  <p>x 1</p>	<p>6</p>  <p>x 4</p>	<p>C</p>  <p>M4</p> <p>x 1</p>	<p>E</p>  <p>M6 x 40</p> <p>x 8</p>
---	---	---	---	--

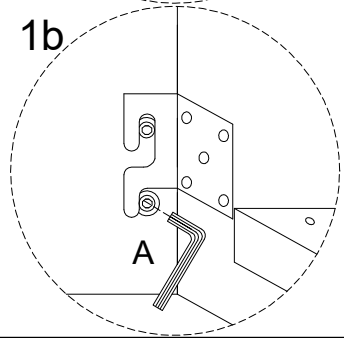
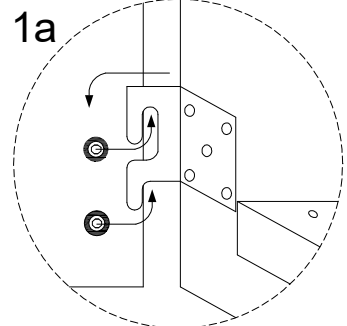
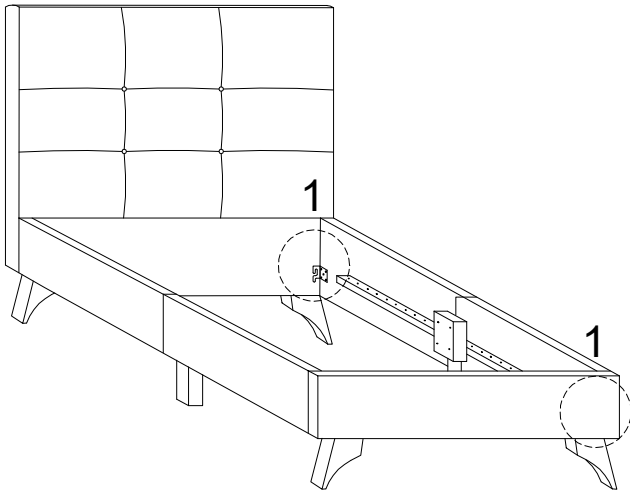
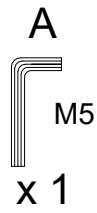


2 x 2

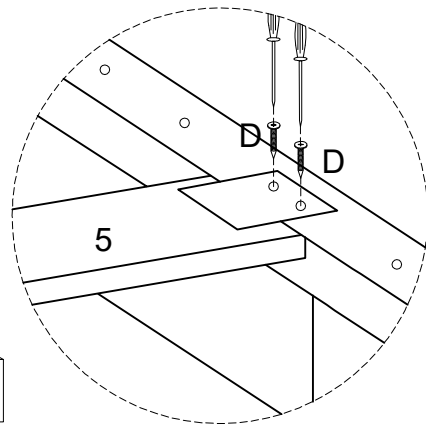
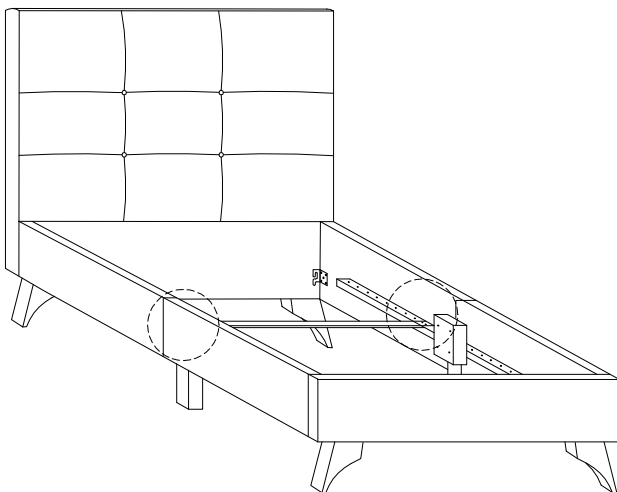
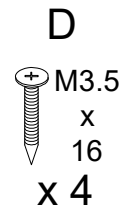
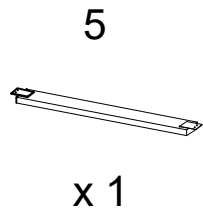
<p>3</p>  <p>x 2</p>	<p>4</p>  <p>x 1</p>	<p>B</p>  <p>M6 x 35</p> <p>x 4</p>	<p>C</p>  <p>M4</p> <p>x 1</p>
---	---	---	---



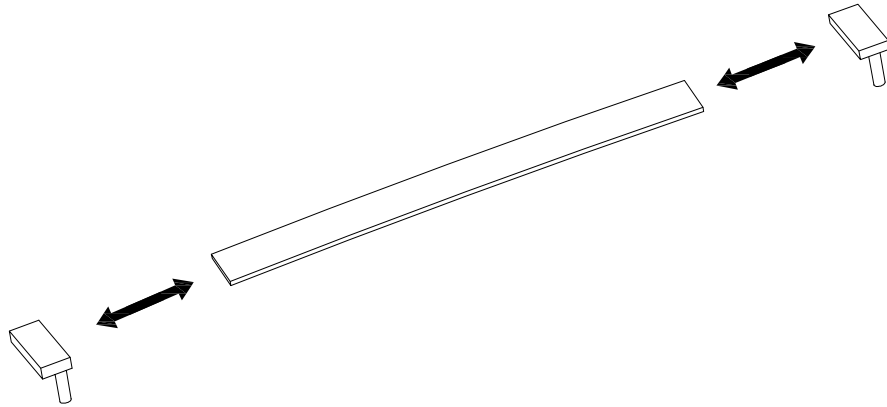
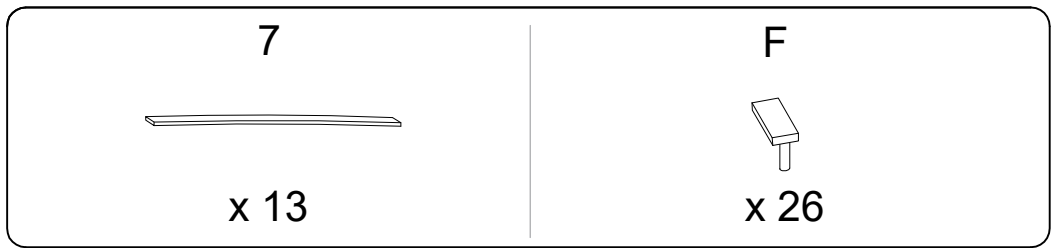
3



4



5



6

