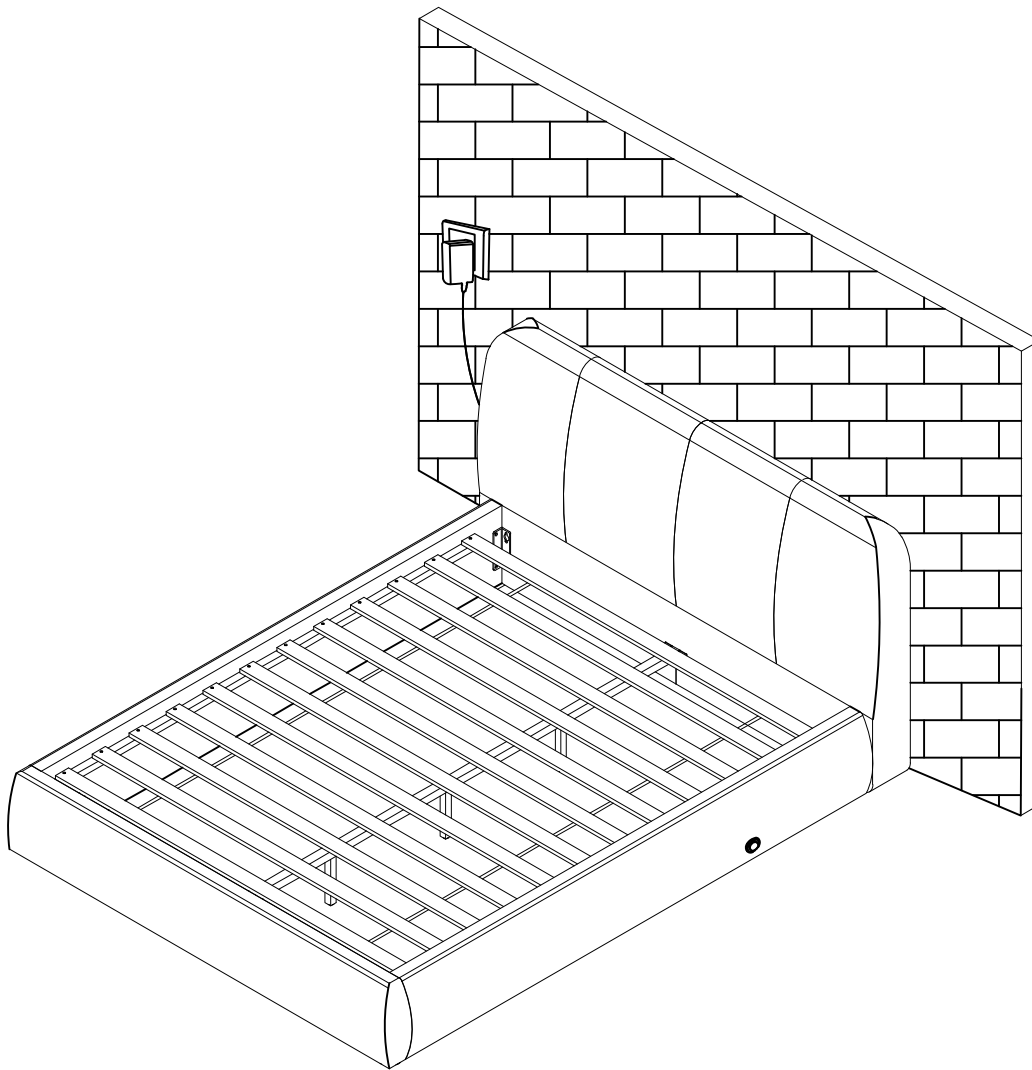


Owner Manual

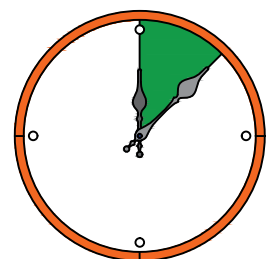
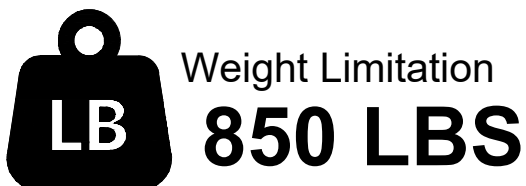


NOTE:

This brochure contains IMPORTANT safety info. Please read and keep for future reference.

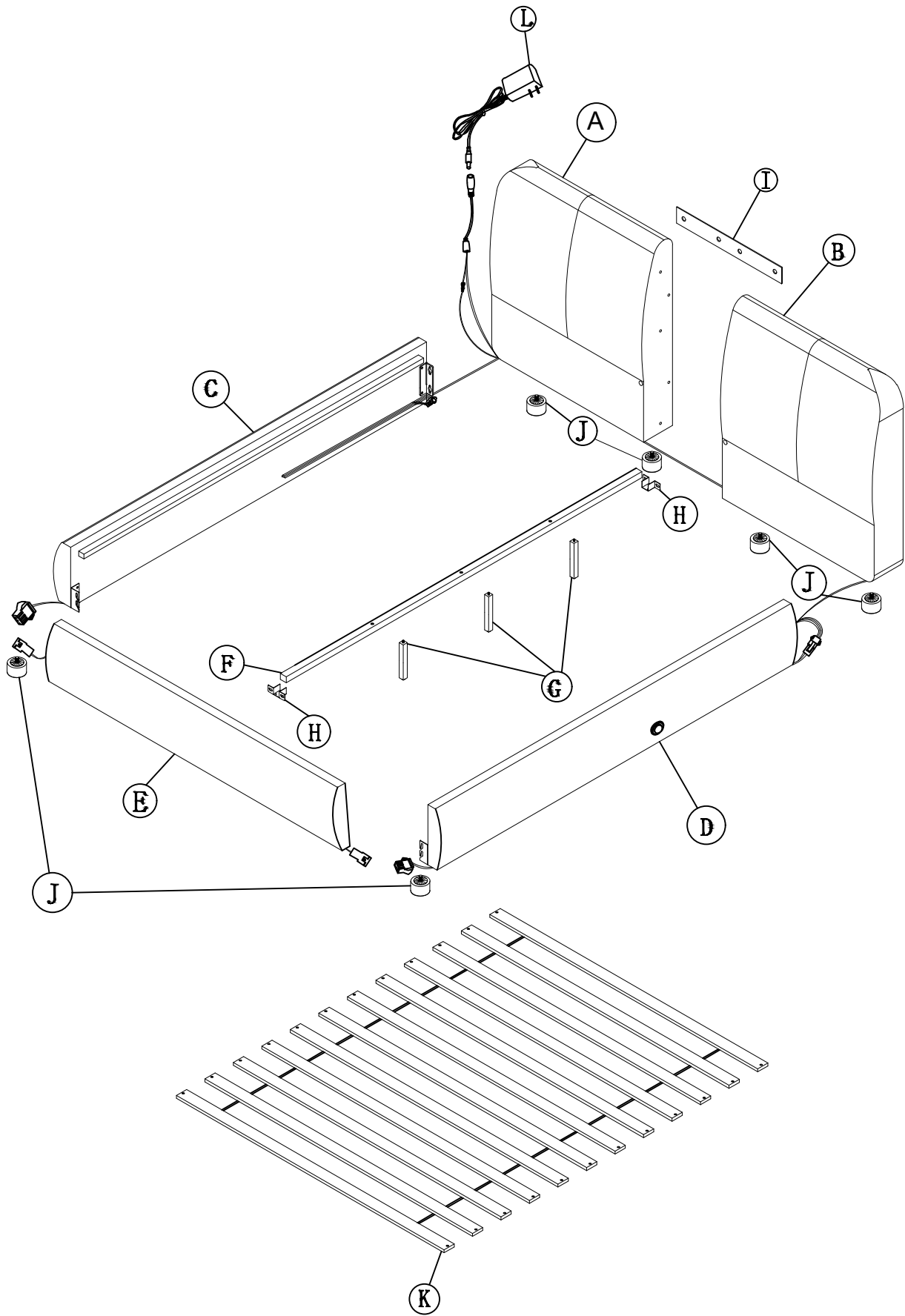
MAINTENANCE AND WARNING

1. Keep furniture away from heat sources.
2. Do not clean furniture with harsh cleaner or polishes. Do not use detergents, solvents, abrasives, spray packs or leather cleaner. Use non-color mild soap with warm water to clean spills (Mix 1:10 soap to water).
3. Do not place furniture under direct sunlight, material will possibly fade over time.
4. Do not use on site dry cleaning machine. Children should not climb or jump on the furniture.
5. Do not write on furniture that is not protected by a padded barrier.
6. Not for commercial use, only for residential use.

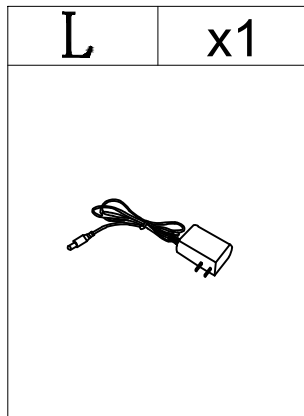
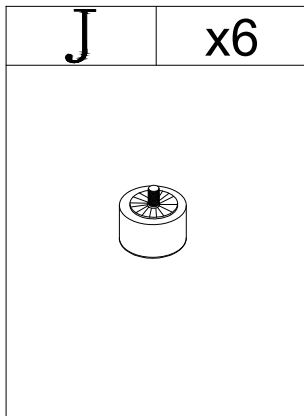
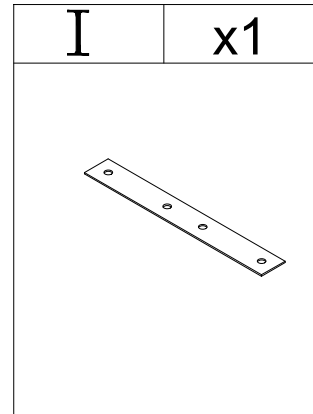
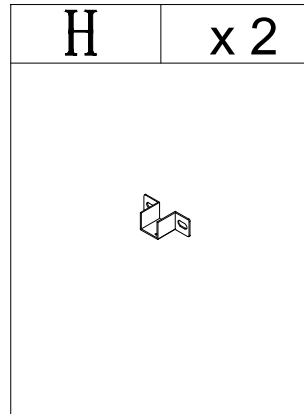
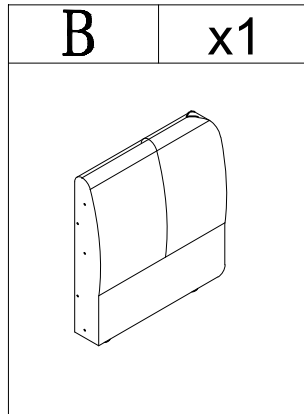
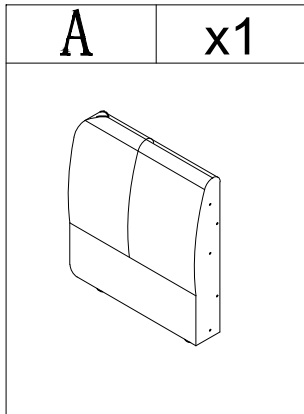


Around 45 min

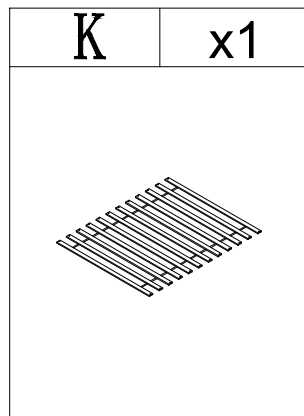
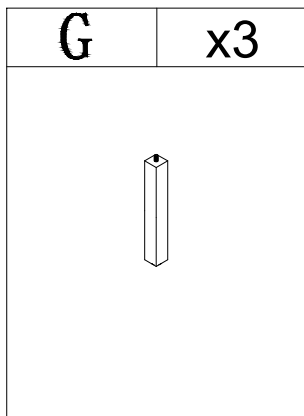
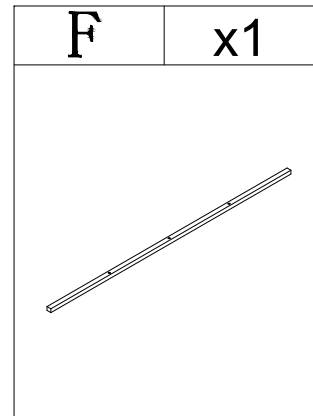
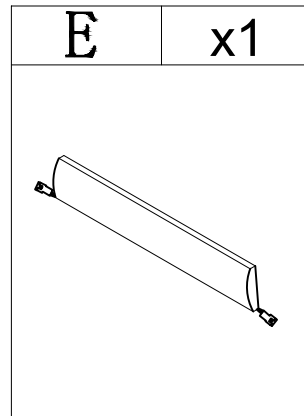
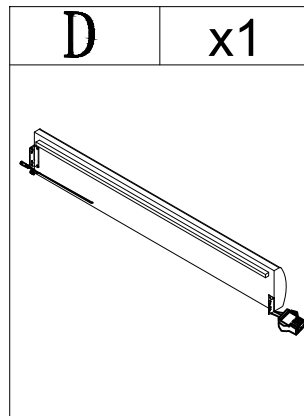
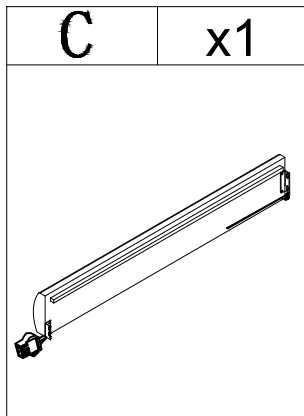
EXPLOSIVE VIEW




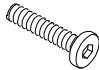





PARTS LIST - BOX- A



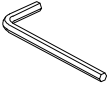

PARTS LIST - BOX- B




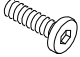
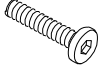




HARDWARE LIST -BOX-A

#1	x8	#2	x5	#3	x8	#4	x21	#5	x21
									
Ø5/16**32mm		Ø5/16**45mm		Ø5/16**20mm		Ø5/16**Ø13mm		Ø5/16**Ø19*1.5mm	
#6	x4	#7	x24						
									
#8*15mm		#8*32mm							

TOOL LIST-BOX-A

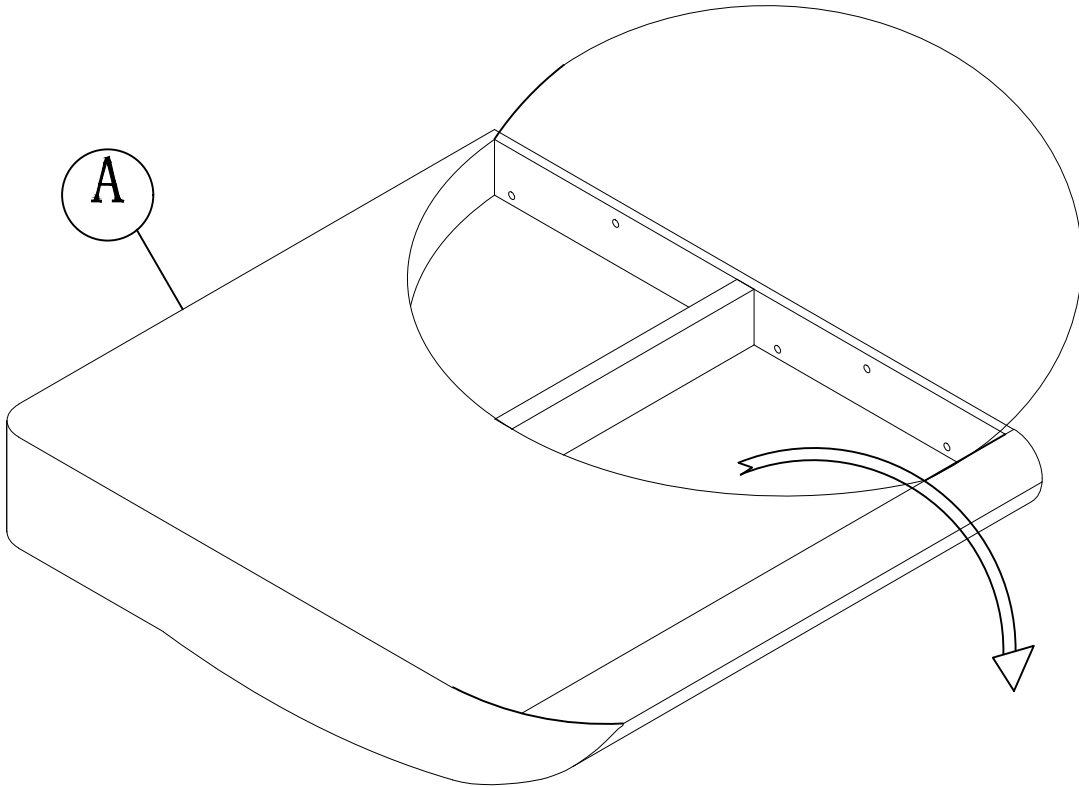
#8	x1	#9	x1
			
M4*50*30mm		Provide for oneself	

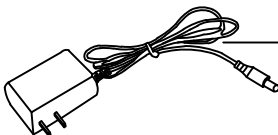

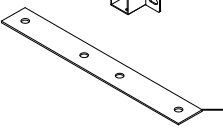
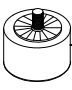
HARDWARE SPARE LIST - BOX - A

#1	x1	#2	x1	#3	x1	#4	x3	#5	x3	#6	x1	#7	x2
													
Ø5/16**20mm		Ø5/16**32mm		Ø5/16**45mm		Ø5/16**Ø13mm		Ø5/16**Ø19*1.5mm		#8*15mm		#8*32mm	

ASSEMBLY INSTRUCTIONS

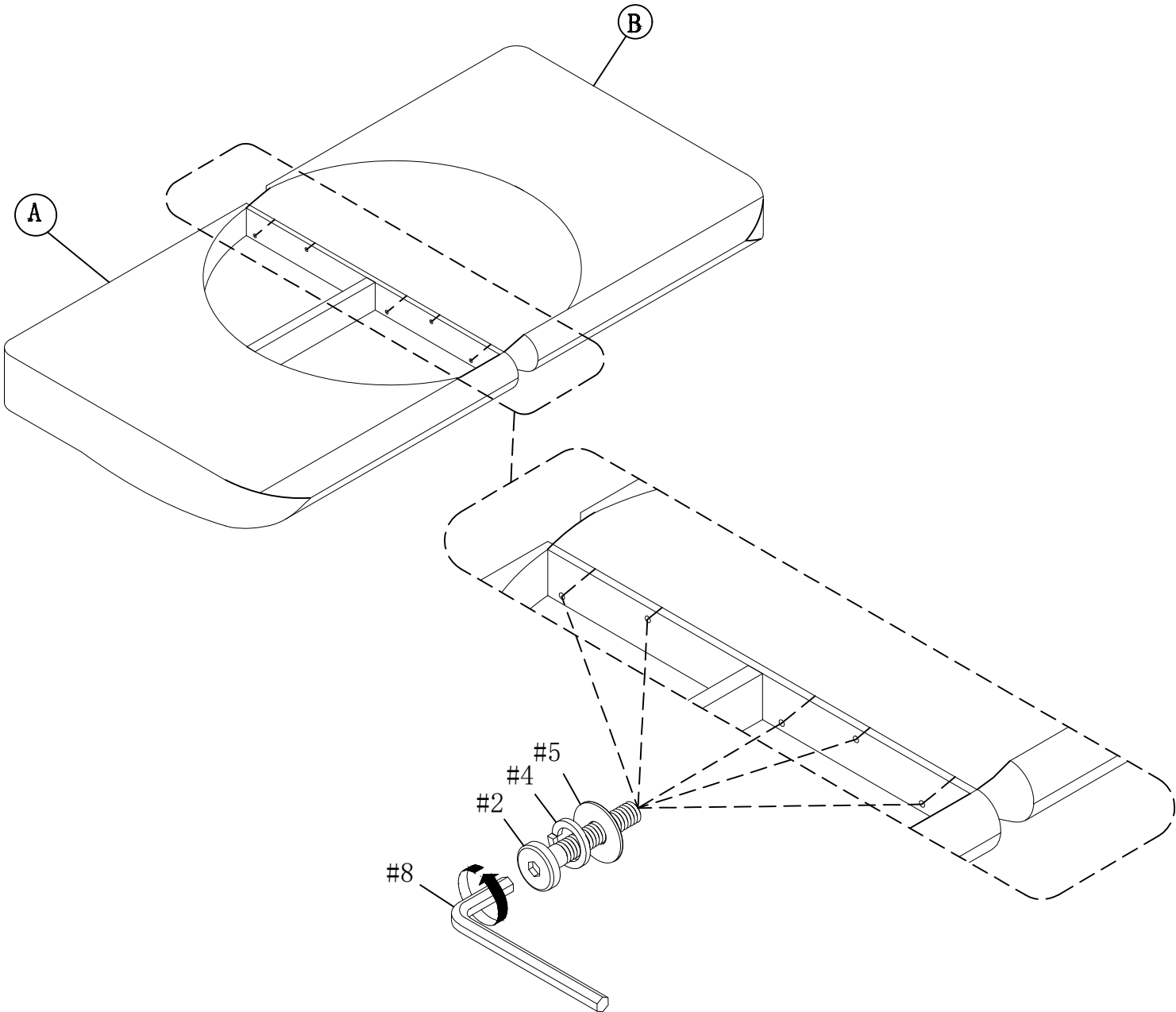
STEP-1



-  **L** = X1
-  **H** = X2
-  **I** = X1
-  **J** = X6

ASSEMBLY INSTRUCTIONS

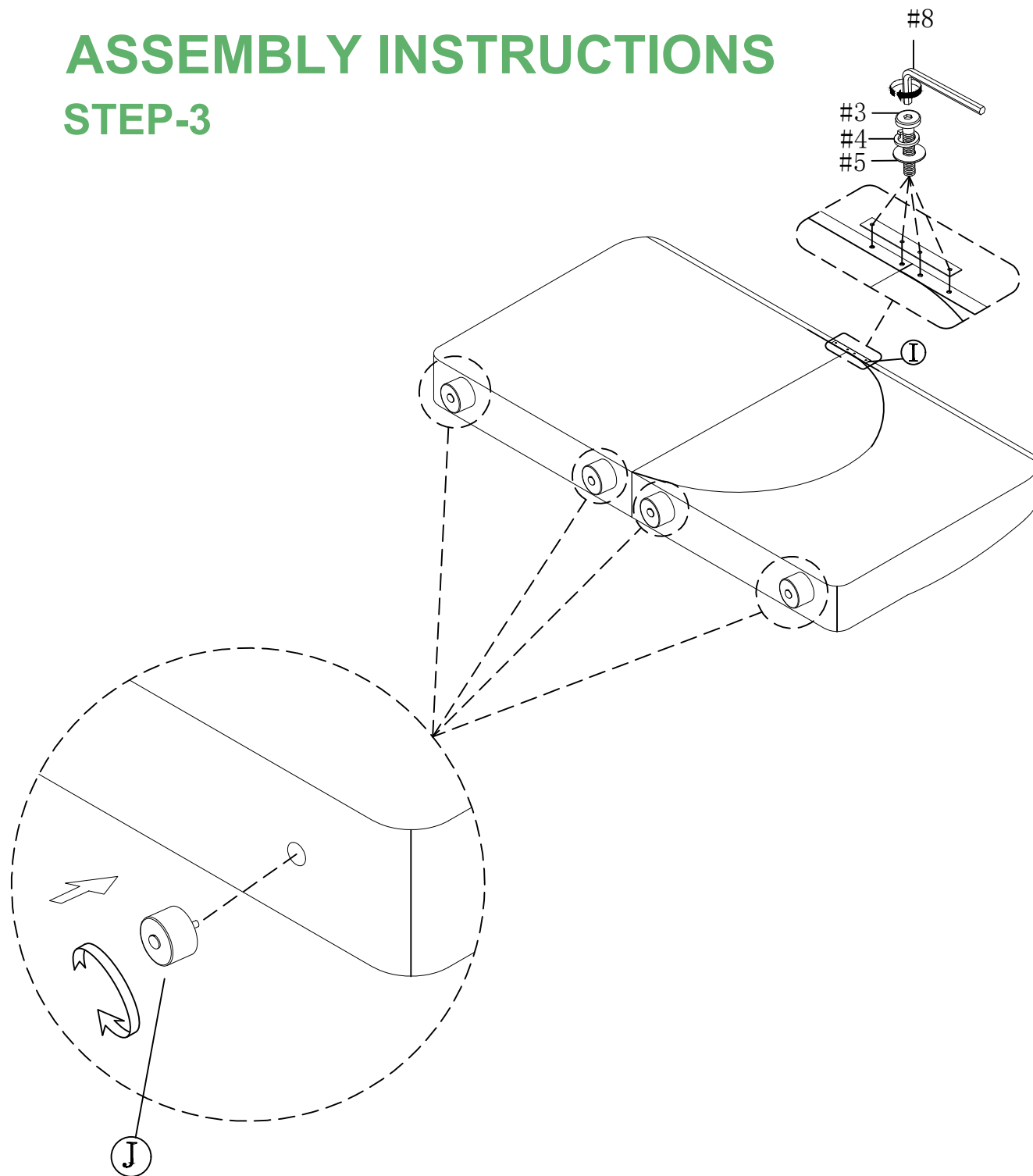
STEP-2




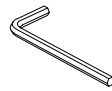


#4	x5	#5	x5	#2	x5	#8	x1
Ø5/16**Ø13mm		Ø5/16**Ø19*1.5mm		Ø5/16**45mm		M4*50*30mm	

ASSEMBLY INSTRUCTIONS

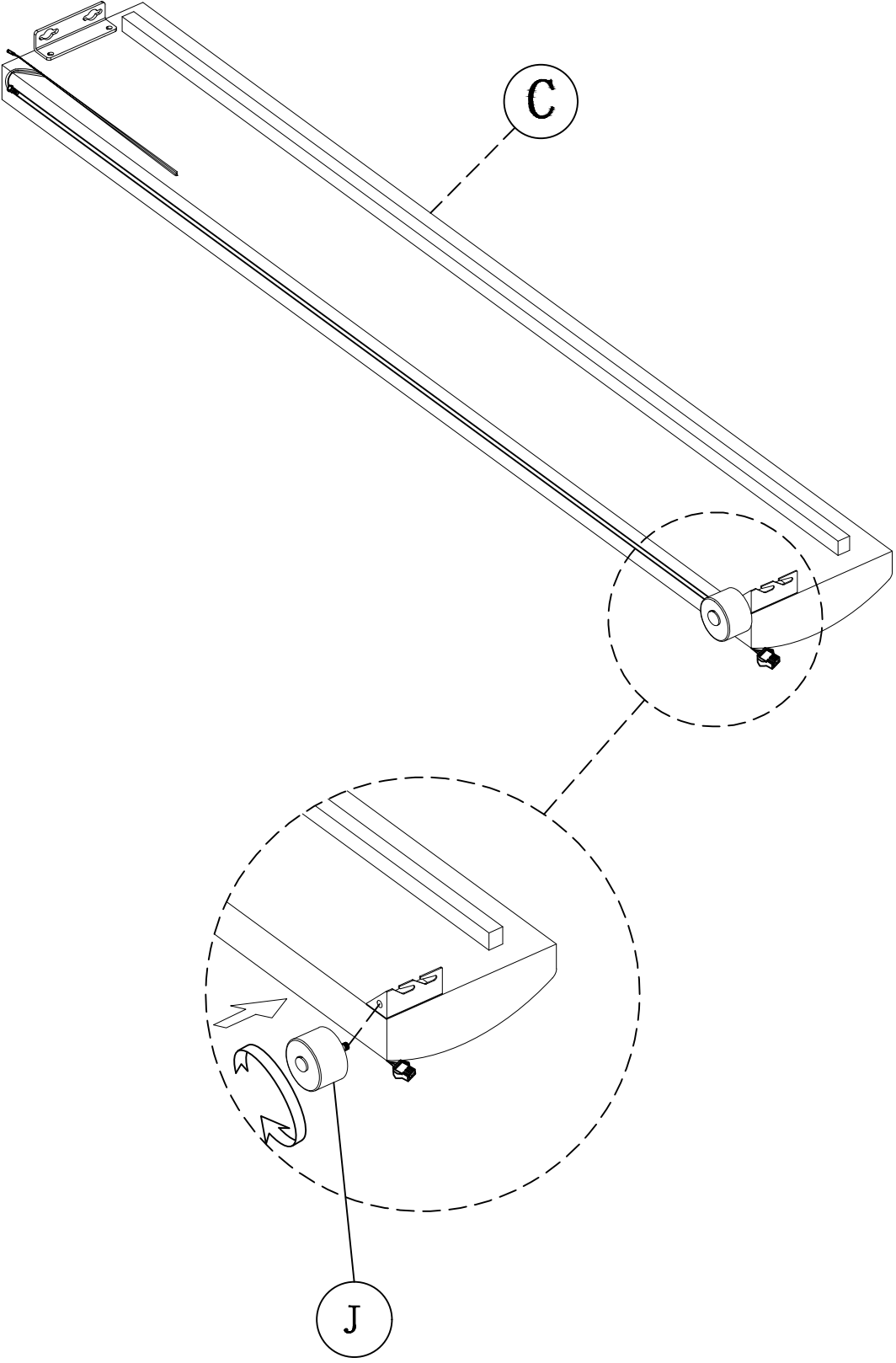
STEP-3



#4	x4	#5	x4	#3	x4	#8	x1
							
Ø5/16**Ø13mm		Ø5/16**Ø19*1.5mm		Ø5/16**20mm		M4*50*30mm	

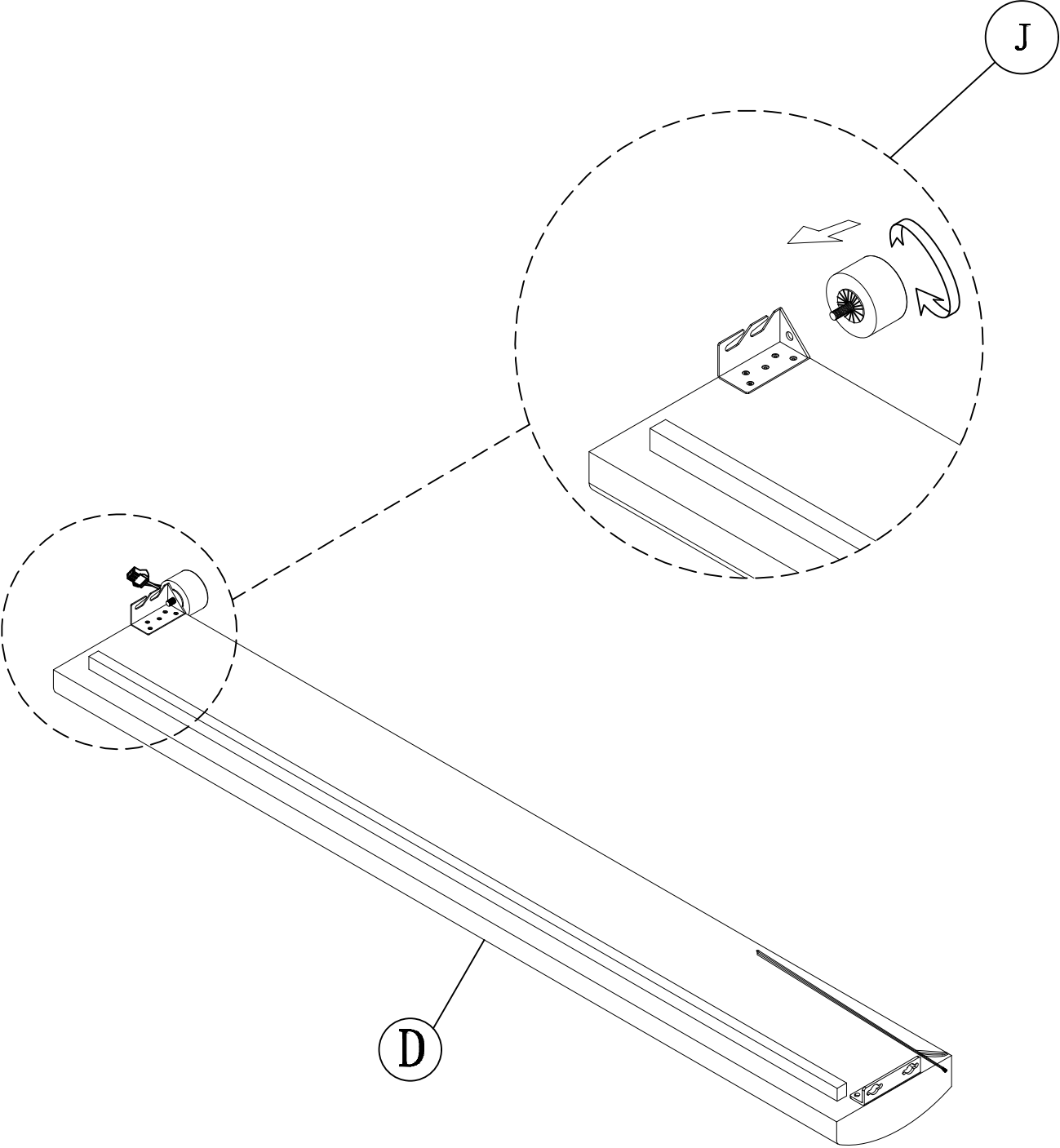
ASSEMBLY INSTRUCTIONS

STEP-4



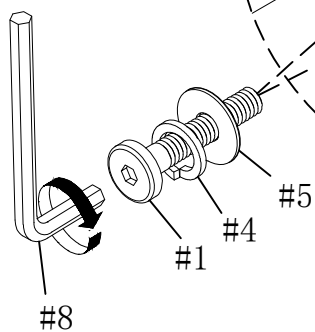
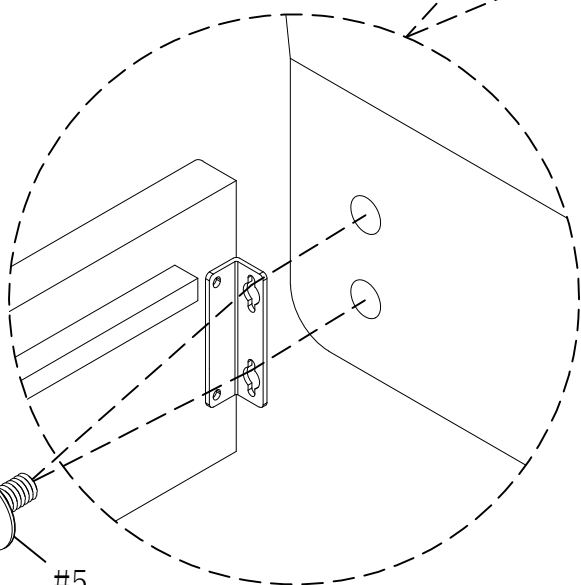
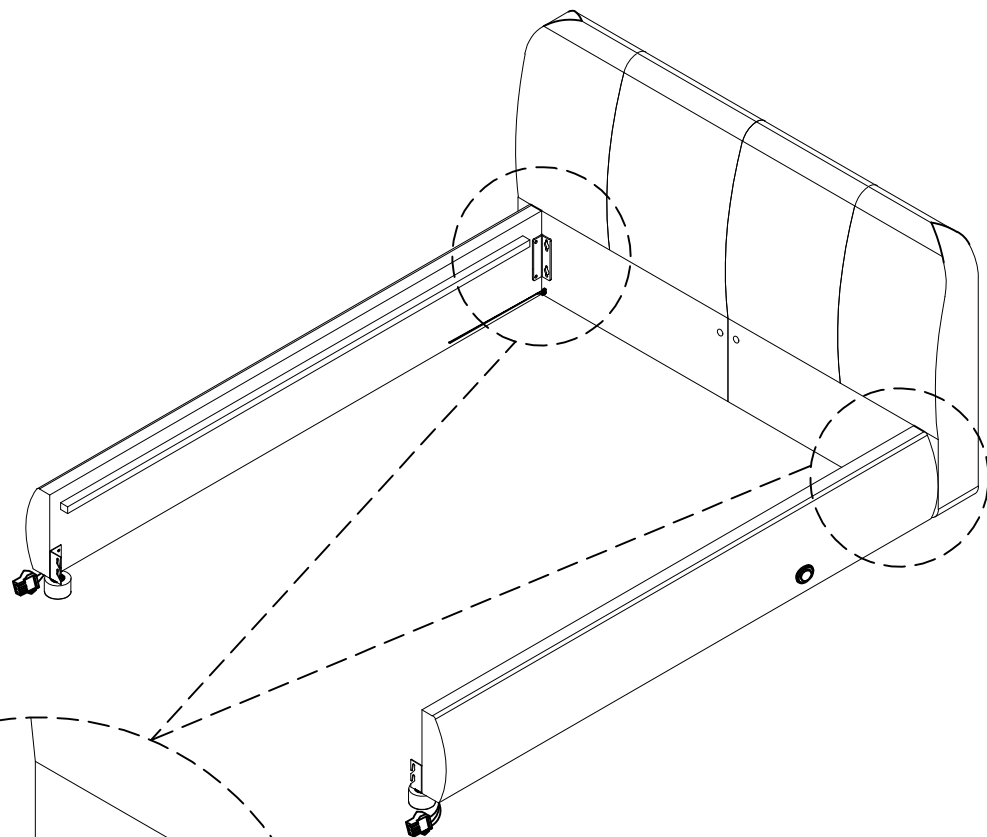
ASSEMBLY INSTRUCTIONS



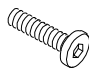
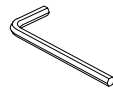
STEP-5



ASSEMBLY INSTRUCTIONS

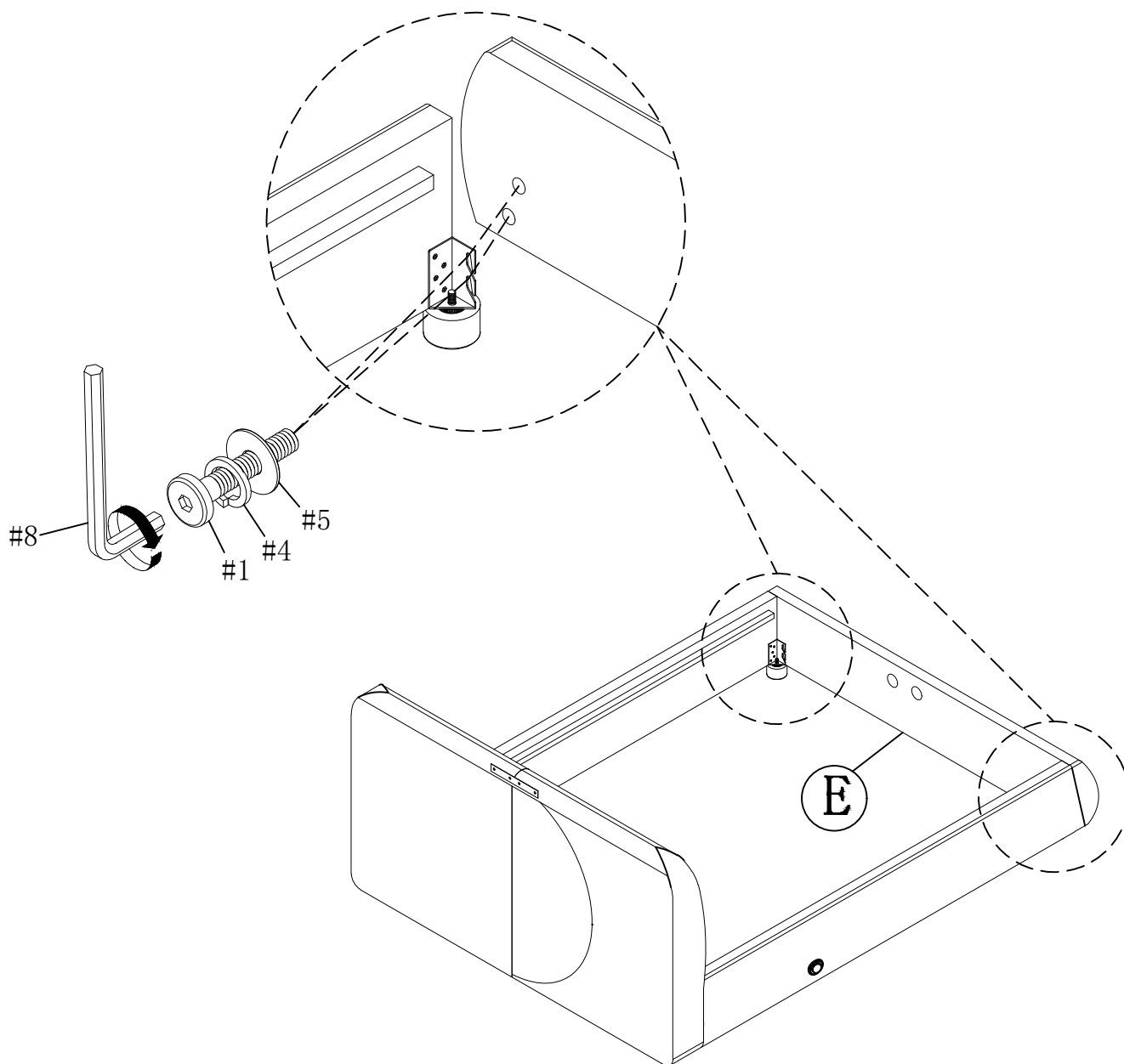
STEP-6



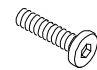
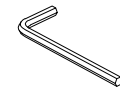


#4	x4	#5	x4	#1	x4	#8	x1
							
Ø5/16**Ø13mm		Ø5/16**Ø19*1.5mm		Ø5/16**32mm		M4*50*30mm	

ASSEMBLY INSTRUCTIONS

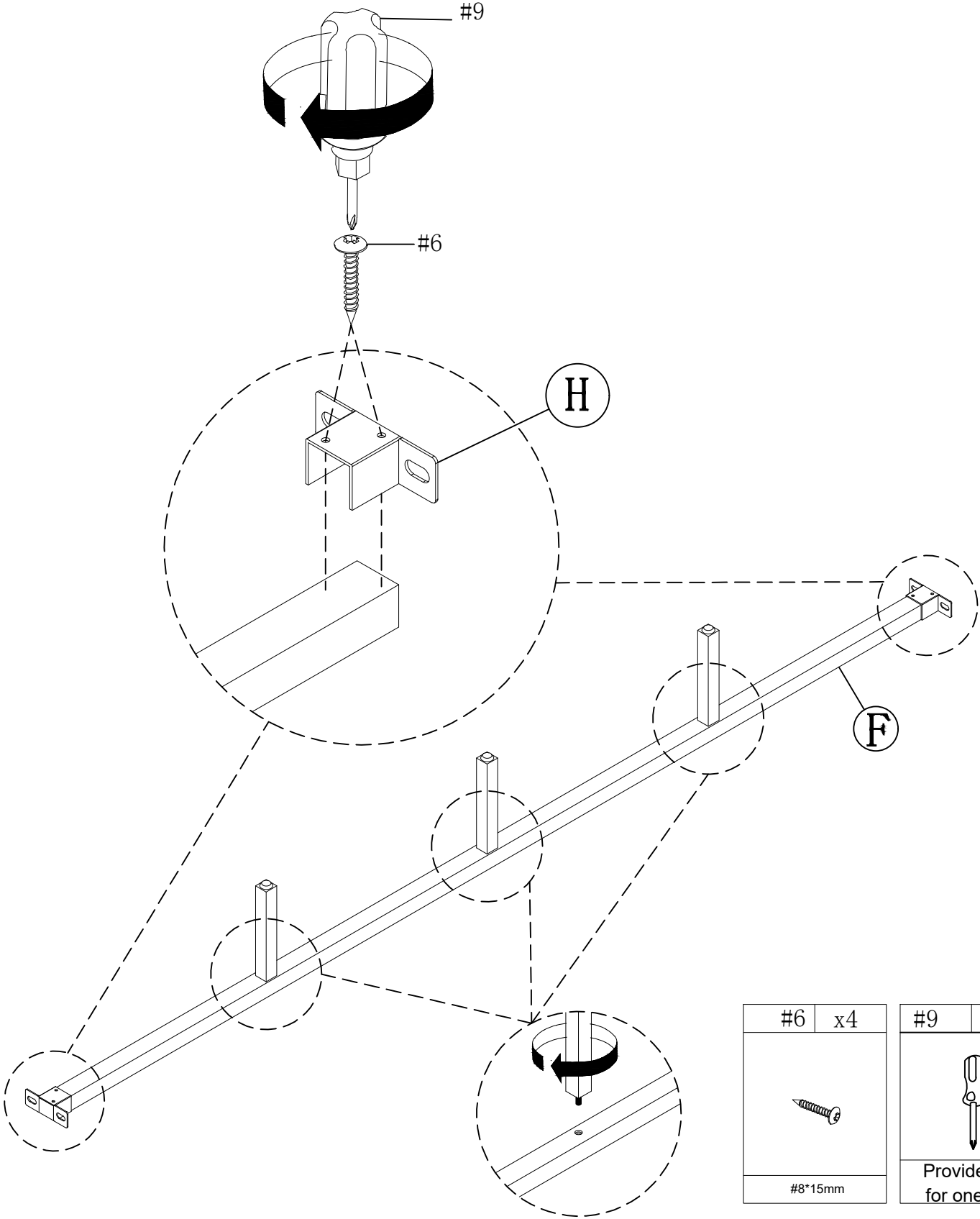
STEP-7





#4	x4	#5	x4	#1	x4	#8	x1
							
Ø5/16**Ø13mm		Ø5/16**Ø19*1.5mm		Ø5/16**32mm		M4*50*30mm	

ASSEMBLY INSTRUCTIONS

STEP-8

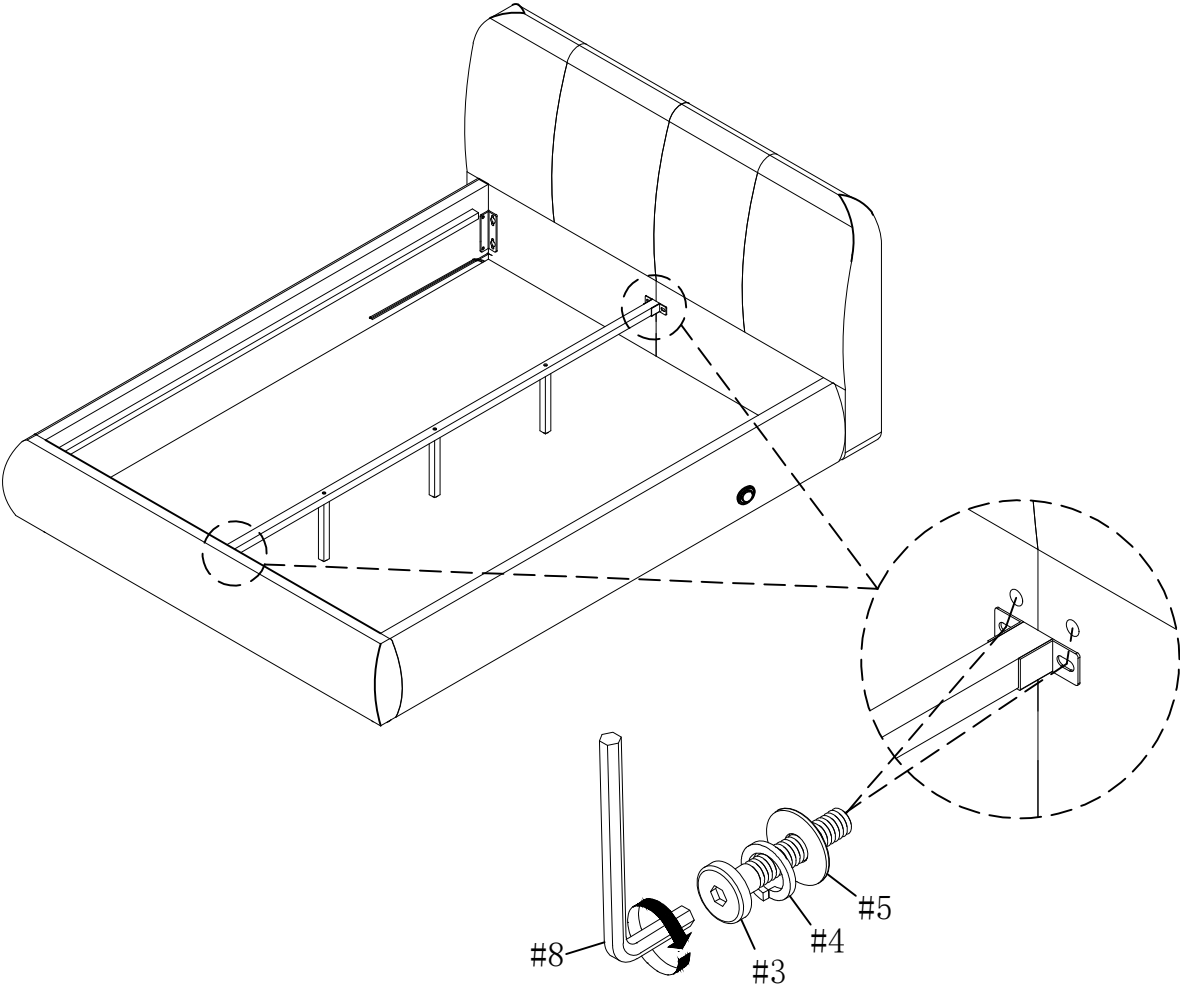





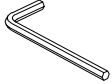
#6	x4
	
#8*15mm	

#9	x1
	
Provide for oneself	

ASSEMBLY INSTRUCTIONS

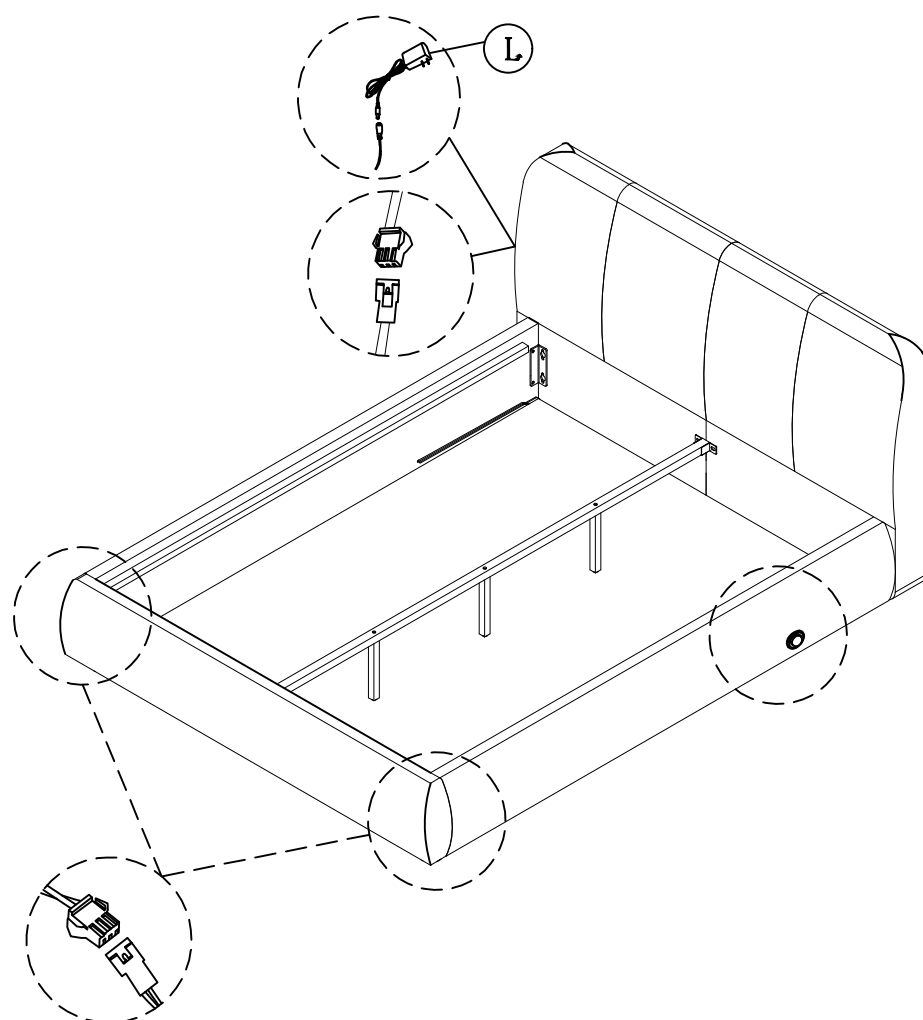
STEP-9



#4	x4	#5	x4	#3	x4	#8	x1
							
Ø5/16**Ø13mm		Ø5/16**Ø19*1.5mm		Ø5/16**20mm		M4*50*30mm	

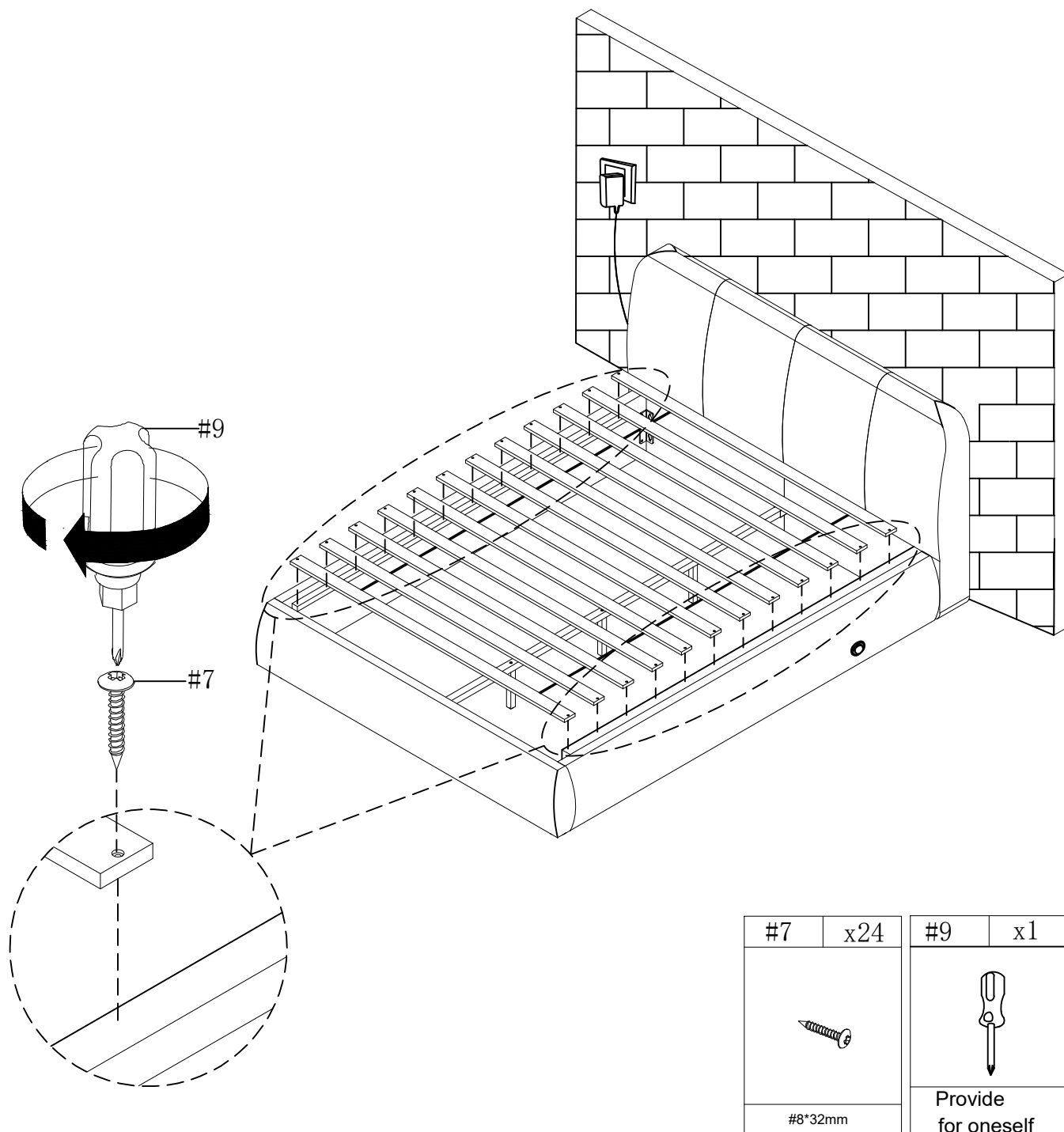
ASSEMBLY INSTRUCTIONS



STEP-10



ASSEMBLY INSTRUCTIONS

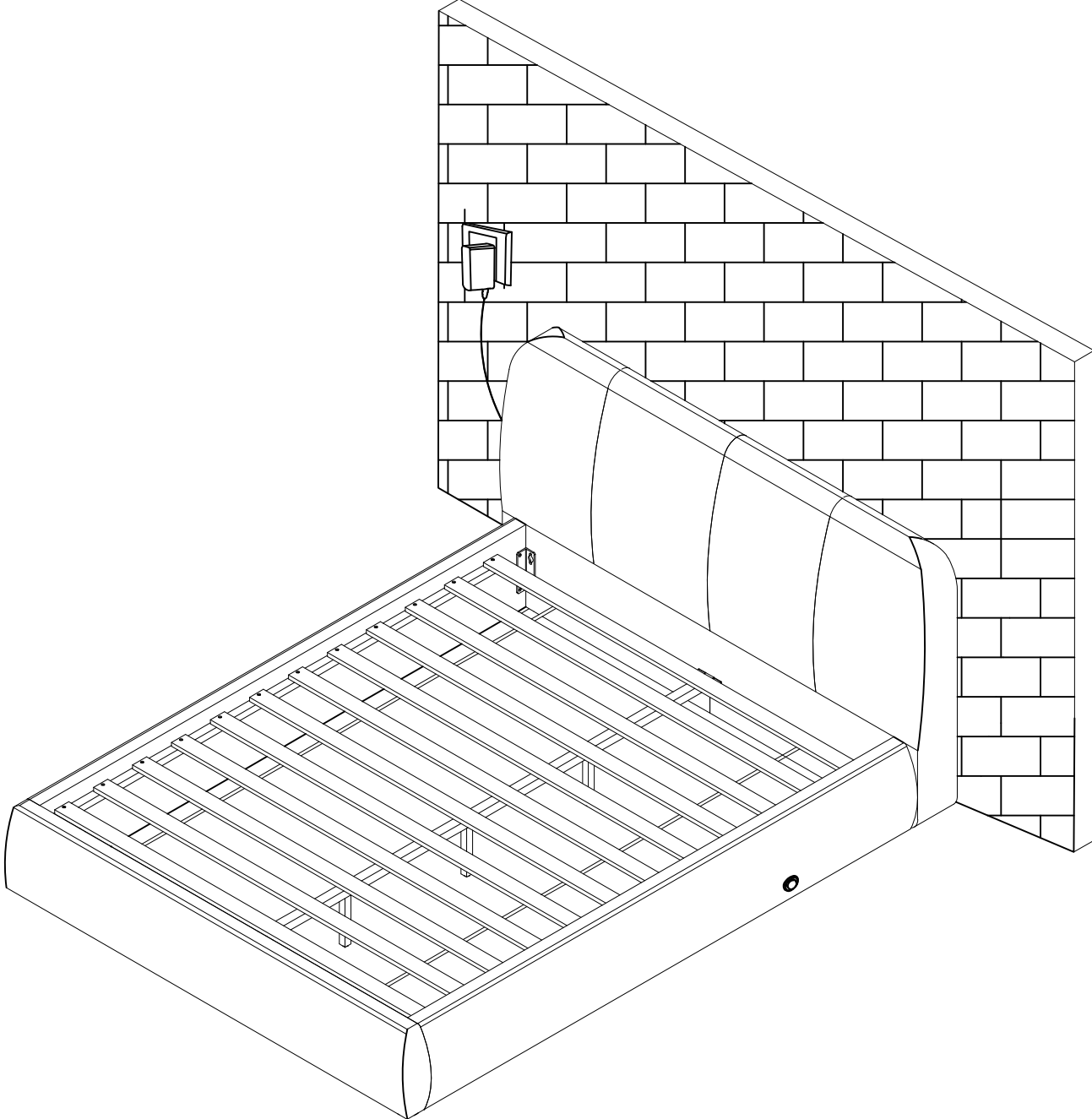
STEP-11



#7	x24	#9	x1
			
#8*32mm		Provide for oneself	

ASSEMBLY INSTRUCTIONS

STEP-12



Assembly completed.

WARRANTY

1. We strive to offer high-quality products, and we also try our best to satisfy each and every customer that orders from us with product or service as needed.
2. We provide 30 days warranty starting from the time you receive the item. Each customer must provide a record of their order such as the order number, or item receipt for any items that are out of the warranty period you may also still receive.
3. Replacement parts by purchasing them with our company if they are available.