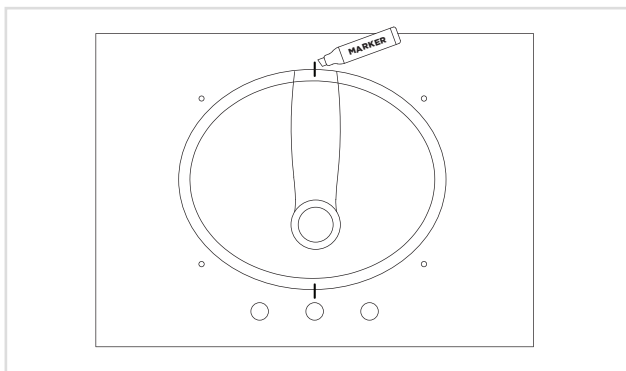


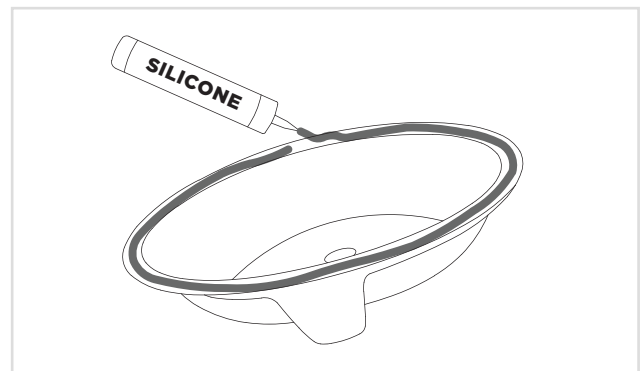
INSTALLATION GUIDE

INCLUDED	NEEDED	HARDWARE	
<ul style="list-style-type: none">• Base cabinet• Countertop• Sink basin• Backsplash• Hardware	<ul style="list-style-type: none">• Permanent marker• Silicone - (Recommend Liquid #PL530 OR GE Silicone II #M90010)• Nails #LN-933 OR Loctite #1365868 OR Gorilla Glue #4200101)• Epoxy - (Recommend Loctite #1365868 OR Gorilla Glue #4200101)• Caulking gun	<p data-bbox="1004 478 1025 506">A</p>  <p data-bbox="1004 559 1087 587">Bolts (4)</p> <p data-bbox="1004 627 1025 655">C</p>  <p data-bbox="1004 676 1120 704">Washers (4)</p>	<p data-bbox="1240 478 1262 506">B</p>  <p data-bbox="1240 559 1450 587">Undermount clips (4)</p> <p data-bbox="1240 627 1262 655">D</p>  <p data-bbox="1240 676 1384 704">Wing nuts (4)</p>



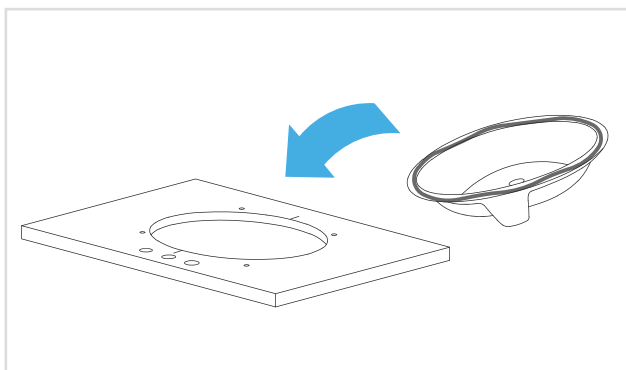
STEP 1 - PLACE & TRACE

Place the sink basin on the bottom of the countertop, making sure to center over the opening. Draw guide lines on the countertop and the basin in two locations.



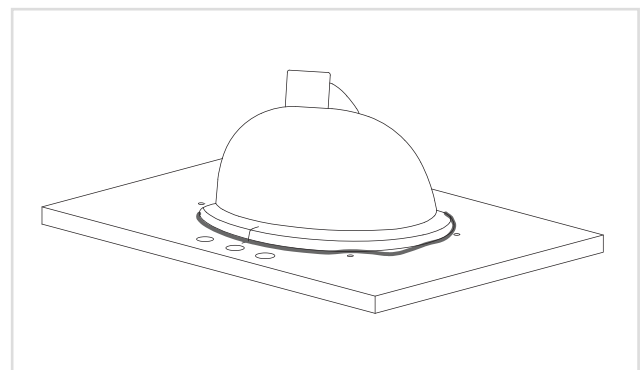
STEP 2 - PREPARE SINK BASIN

Using a caulking gun, apply a heavy amount of silicone of your choice on the top side of the sink basin edge.



STEP 3 - FLIP & SET IN PLACE

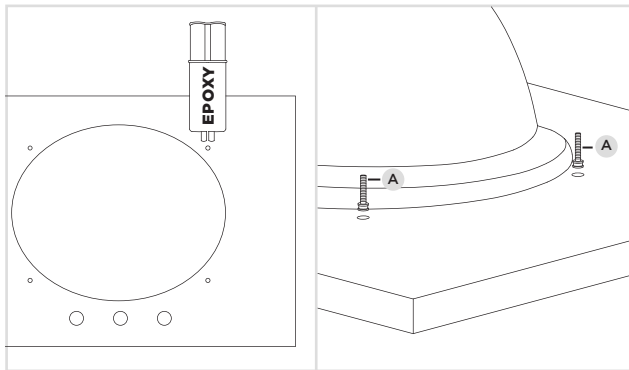
Carefully flip the sink basin over and place it so the guide lines match up in both locations.



STEP 4 - DRY & SET

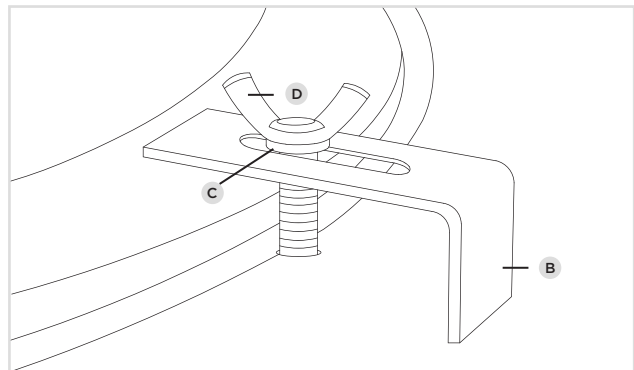
Press down on the sink basin to seal the silicone. Remove any excess. Follow dry time recommendations found on your product, typically 12 to 24 hours.

INSTALLATION GUIDE



STEP 5 - PREPARE & SET BOLTS

Fill in the small holes surrounding the sink basin with epoxy. Immediately place the top of the bolt (PART A) in the hole with the epoxy. Allow sufficient dry time & follow the package directions on the epoxy before moving to the next steps, typically 12 to 24 hours.



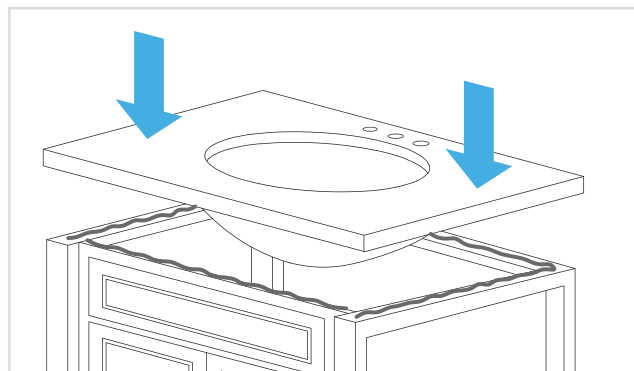
STEP 6 - ATTACH UNDERMOUNT CLIPS

After following recommended drying time, attach the undermount clips (PART B) facing down, place the washer (PART C) on the clips & use the wing nuts (PART D) to secure in place. Apply silicone to the wing nut for added stability.



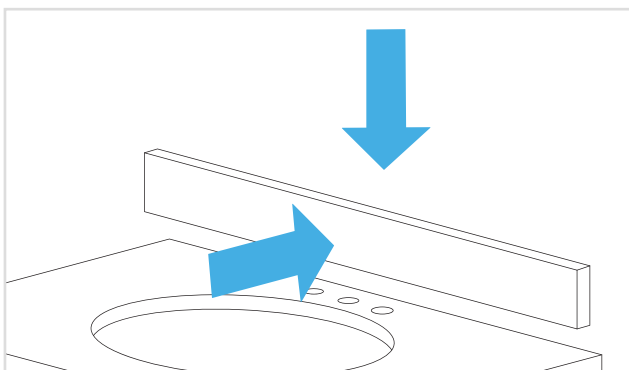
STEP 7 - PREPARE BASE CABINET

Using a caulking gun, apply silicone around the top of the base cabinet.



STEP 8 - SET COUNTERTOP IN PLACE

Carefully place the countertop, with the sink attached, onto the cabinet and press down firmly. Wipe away and excess silicone immediately.



STEP 9 - SET BACKSPLASH

After the vanity is in place, use a caulking gun to apply silicone to the back and bottom unfinished sides of the backsplash. Press firmly down and back to set in place. Remove any excess silicone.