

ASSEMBLY INSTRUCTION

MODEL : RECT. SHAPE TABLE

IMPORTANT

PLEASE READ BEFORE YOU CONTINUE FURTHER

- THE PRODUCT YOU HAVE PURCHASED WILL GIVE YOU MANY YEARS OF SERVICE IF YOU FOLLOW THE GUIDE LINES FOR IT'S SAFE ASSEMBLY AND PERIODIC MAINTENANCE AND CLEANING.
- DO NOT USE ANY TOOLS OTHER THAN THOSE SHOWN.
- ANY SPANNERS OR ALLEN-KEY REQUIRED ARE INCLUDED WITH THE FITTING KIT.
- ~~DO NOT~~ FOR ANY REASON USE A POWER TOOL TO ASSEMBLE THIS PRODUCT. IT'S USE WILL INVALIDATE ANY CLAIM YOU MAY HAVE AND COULD MAKE THIS PRODUCT UNSAFE.
- DEPENDING ON THE AMOUNT OF USE, IT MAY BE NECESSARY TO TIGHTEN UP THE FIXING FROM TIME TO TIME. THIS IS COMPLETELY NORMAL FOR ANY KNOCK DOWN FURNITURE.
- FOR CLEANING YOU MAY USE A DAMP CLOTH (NOT WET) DRY DUSTER AND WOODEN FURNITURE POLISH.
- FOR PRODUCT THAT INCLUDE SEAT PADS : SEAT PADS MAY STAIN OR MARK IF ALLOWED TO COME INTO CONTACT WITH WET OR DAMP OBJECTS AS MATERIALS USED HAVE NOT BEEN SCOTCH GUARDED.
- THE SURFACE OF THIS ITEM IS NOT HEAT RESISTANT. ALWAYS USE A PLACEMAT UNDER HOT OR COLD ITEMS TO PREVENT MARKING.





Please read instructions carefully

- 1) Remove all wrapping materials, staples and packing straps from the carton.
- 2) Refer to Parts List and Hardware List and ensure they are complete before you start assembling.
- 3) Place all wooden parts on a clean, flat and soft surface (e.g carpet or rug) to prevent parts from being scratched.
- 4) Do not fully tighten bolts and nuts until all parts have been assembled.

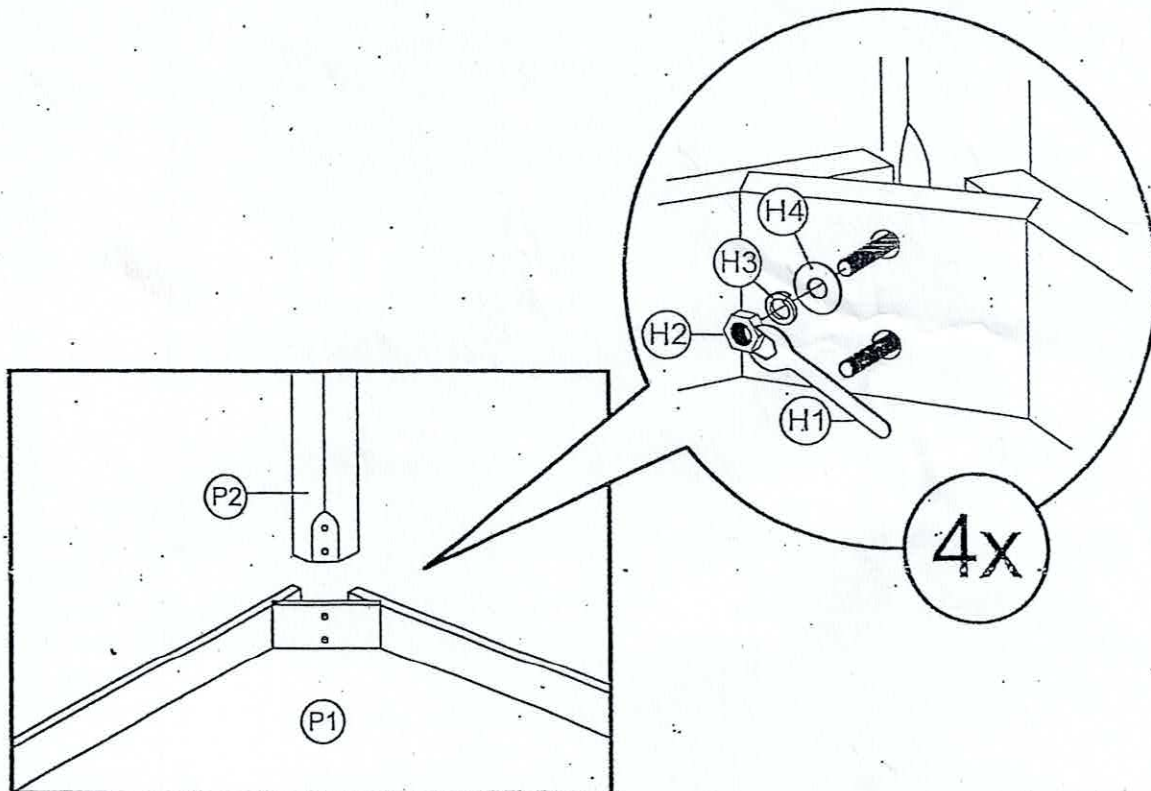
PARTS LIST (FOR 1 NOS. OF TABLES)

NO.	COMPONENT	QTY.
P1	TABLE TOP	1
P2	LEG	4

HARDWARE LIST (FOR 1 NOS. OF TABLE)

NO.	DESCRIPTION	QTY.
H1	SPANNER 	1
H2	HEX NUT 	8
H3	SPRING WASHER 	8
H4	FLAT WASHER 	8

STEP 1



CAUTION

- To avoid any risk of suffocation to children and animals, dispose off plastic bags immediately.
- Keep all hardware parts out of reach of children.