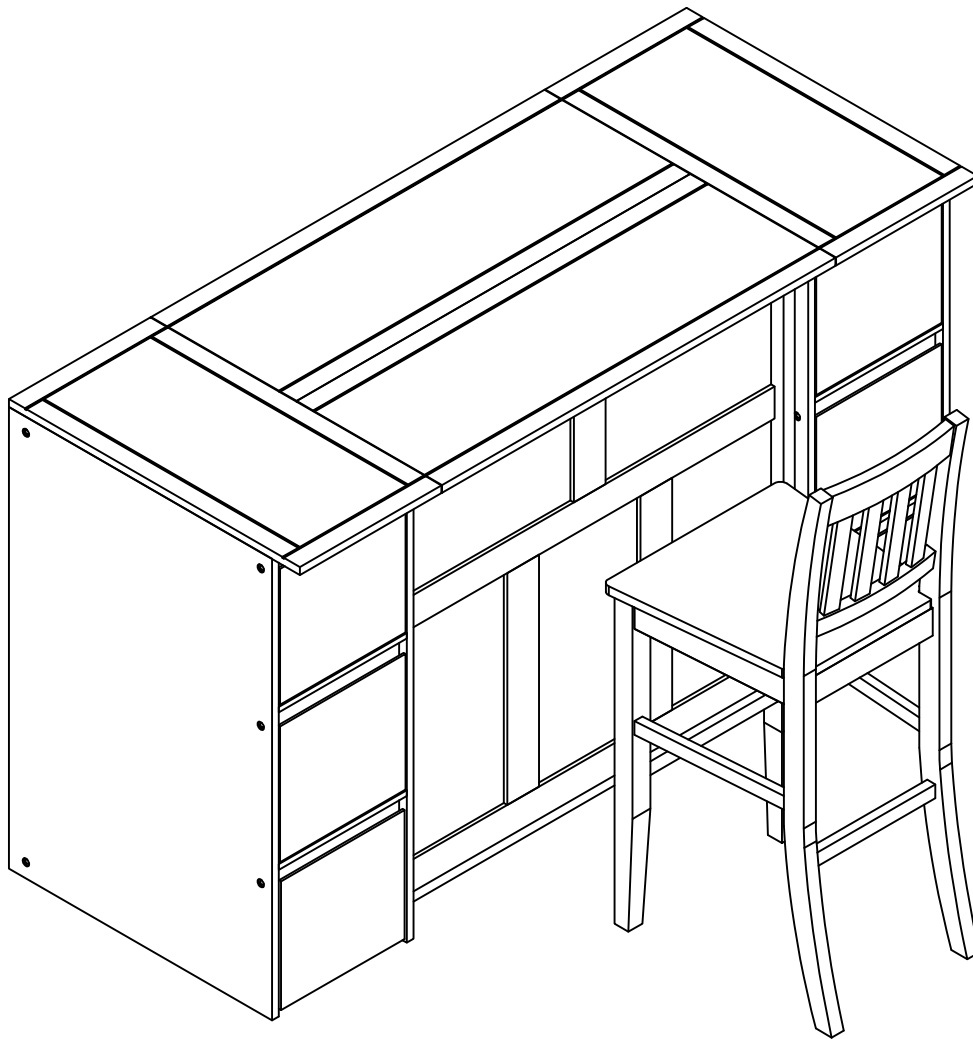
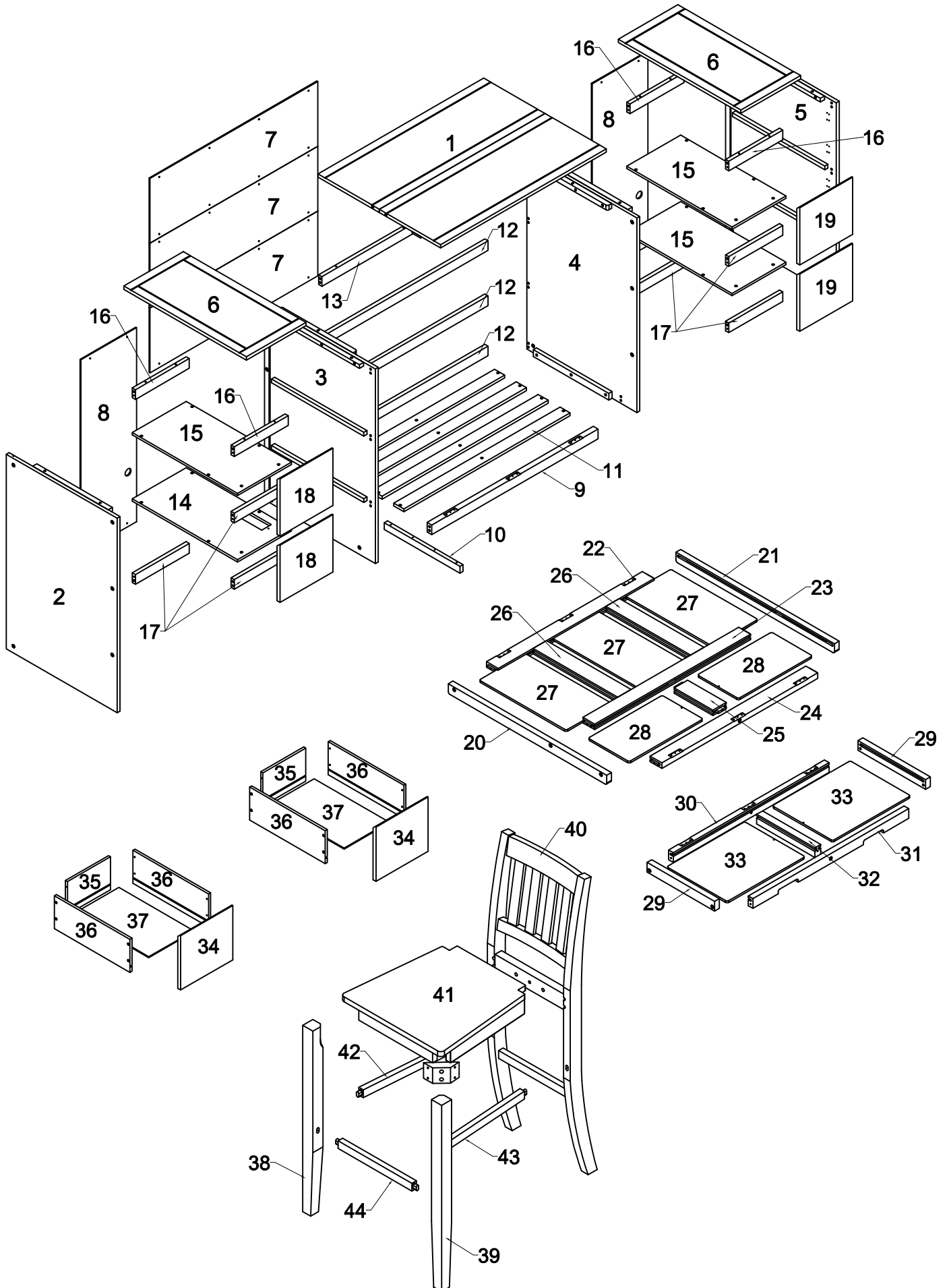


# ASSEMBLY INSTRUCTIONS

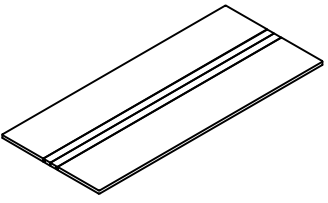
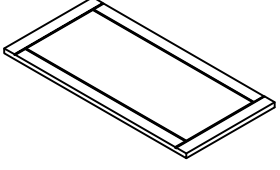
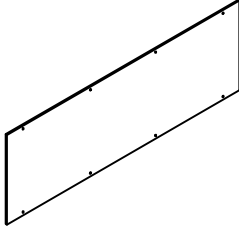
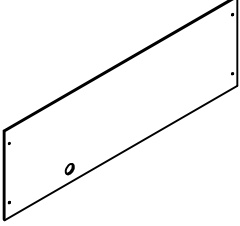
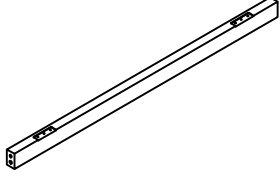
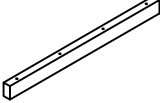
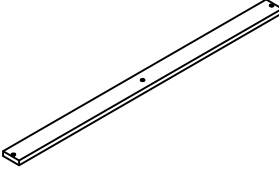
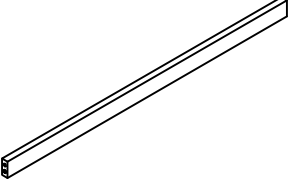
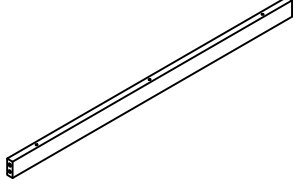
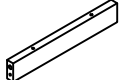

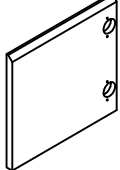
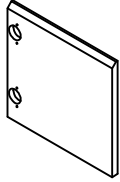
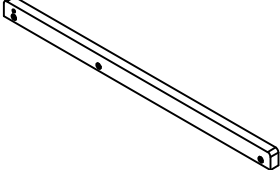
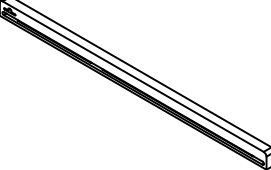
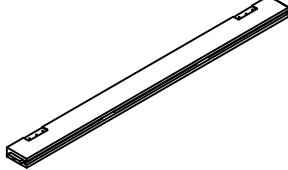
ITEM CODE: WF531282-WF531283-WF531284



# DETAIL VIEW

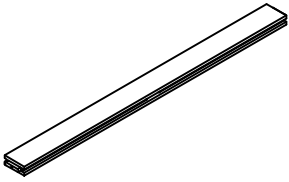


# BOX 1: WF531282

<p>1</p>  <p>Top panel - middle (1pc)</p>	<p>6</p>  <p>Top panel - left &amp; right (2pcs)</p>	<p>7</p>  <p>Back panel - middle (3pcs)</p>	<p>8</p>  <p>Back panel - left &amp; right (2pcs)</p>
<p>9</p>  <p>Front rail (1pc)</p>	<p>10</p>  <p>Support slats (1pc)</p>	<p>11</p>  <p>Slats (4pcs)</p>	<p>12</p>  <p>Back rail - bottom (3pcs)</p>
<p>13</p>  <p>Back rail top (1pc)</p>	<p>16</p>  <p>Top rail - cabinet (4pcs)</p>	<p>17</p>  <p>Bottom rail - cabinet (6pcs)</p>	<p>18</p>  <p>Door left (2pcs)</p>
<p>19</p>  <p>Door right (2pcs)</p>	<p>20</p>  <p>Vertical side rail - left (1pc)</p>	<p>21</p>  <p>Vertical side rail - right (1pc)</p>	<p>22</p>  <p>Horizontal rail (1pc)</p>

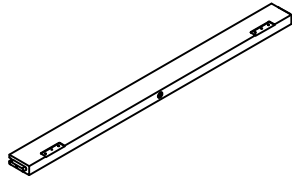
# BOX 1: WF531282

23



Horizontal rail (1pc)

24



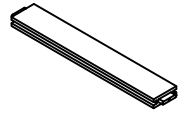
Horizontal rail (1pc)

25



Vertical bar (1pc)

26



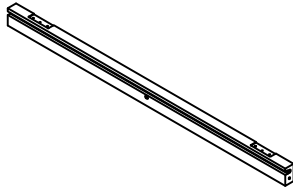
Vertical bar (2pcs)

29



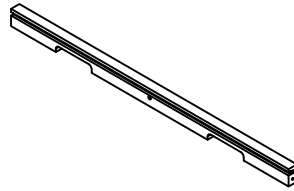
Vertical side rail (2pcs)

30



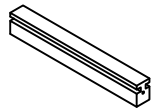
Horizontal rail (1pc)

31



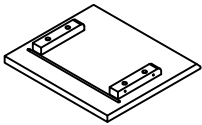
Horizontal rail (1pc)

32



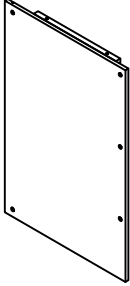
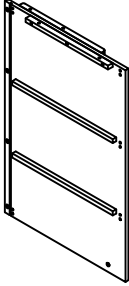
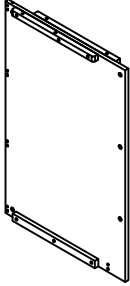
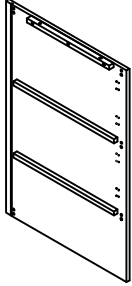
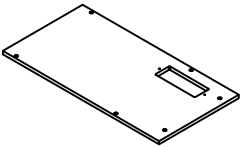
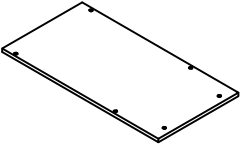
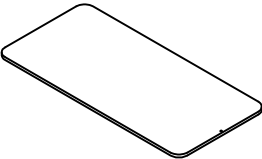
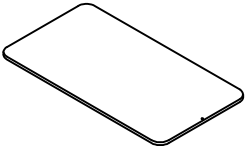
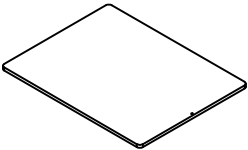
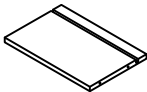
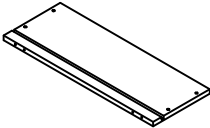
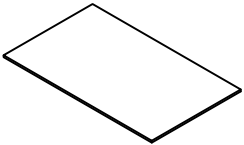
Vertical middle rail (1pc)

34



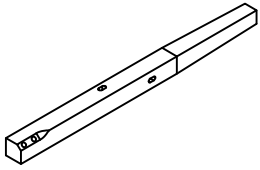
Front drawers (2pcs)

# BOX 2: WF531283

<p><b>2</b></p>  <p>Side panel - left (1pc)</p>	<p><b>3</b></p>  <p>Side panel - left (1pc)</p>	<p><b>4</b></p>  <p>Side panel - right (1pc)</p>	<p><b>5</b></p>  <p>Side panel - right (1pc)</p>
<p><b>14</b></p>  <p>Shelf panel 1 (1pc)</p>	<p><b>15</b></p>  <p>Shelf panel 2 (3pcs)</p>	<p><b>27</b></p>  <p>Front panel (3pcs)</p>	<p><b>28</b></p>  <p>Front panel (2pcs)</p>
<p><b>33</b></p>  <p>Front panel (2pcs)</p>	<p><b>35</b></p>  <p>Back drawers (2pcs)</p>	<p><b>36</b></p>  <p>Side drawers (4pcs)</p>	<p><b>37</b></p>  <p>Bottom drawers (2pcs)</p>

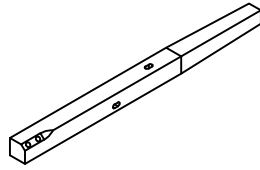
# BOX 1: WF531284

38



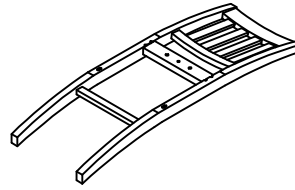
Front leg chair - left (1pc)

39



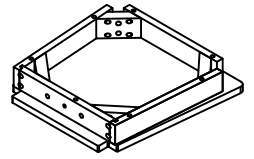
Front leg chair - right (1pc)

40



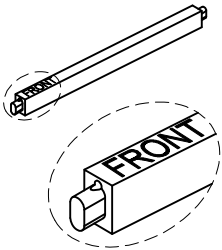
Back frame chair (1pc)

41



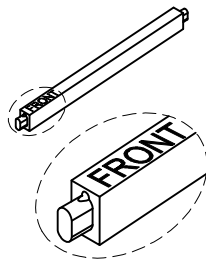
Seat frame chair (1pc)

42



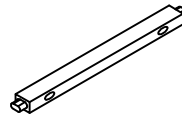
Left stretcher (1pc)

43



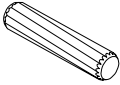
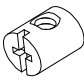

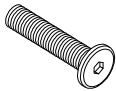


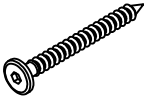
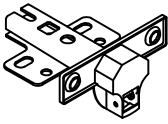
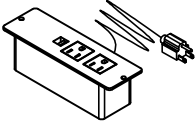
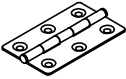

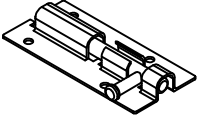
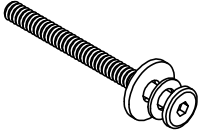
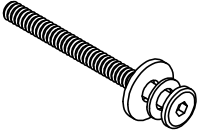

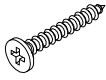


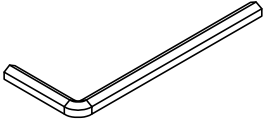
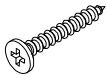
Right stretcher (1pc)

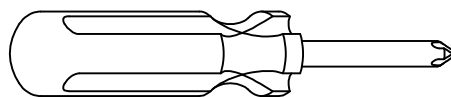
44



Front stretcher (1pc)

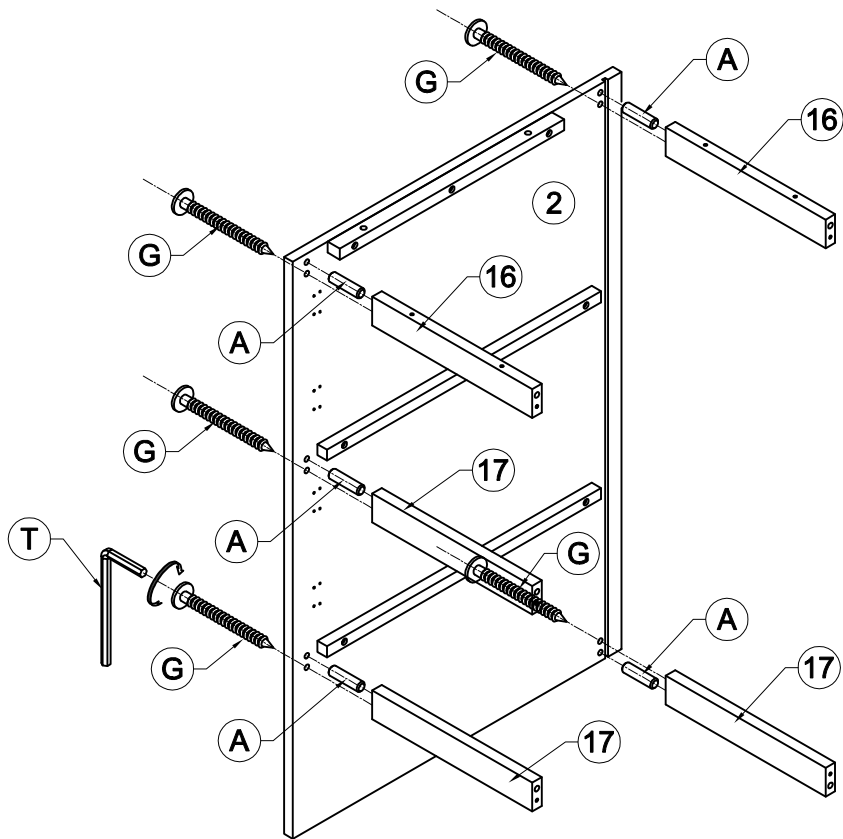
# HARDWARE LIST: WF531283

<p><b>A</b></p>  <p>Wood dowel Ø8 * 30 - 35pcs</p>	<p><b>B</b></p>  <p>Horizontal - Hold bolts Ø1/4" - 10pcs</p>	<p><b>C</b></p>  <p>Hex - Head bolts Ø1/4" * 60 - 10pcs</p>	<p><b>D</b></p>  <p>Hex - Head bolts Ø1/4" * 30 - 12pcs</p>
<p><b>E</b></p>  <p>Hexagonal bolts catch wood Ø1/4" * 90 - 3pcs</p>	<p><b>F</b></p>  <p>Hexagonal bolts catch wood Ø1/4" * 60 - 12pcs</p>	<p><b>G</b></p>  <p>Hexagonal bolts catch wood Ø1/4" * 50 - 20pcs</p>	<p><b>H</b></p>  <p>Insert hinge - 8pcs</p>
<p><b>I</b></p>  <p>Power outlet - 1pc</p>	<p><b>J</b></p>  <p>Hinge - 6pcs</p>	<p><b>K</b></p>  <p>Wheel - 8pcs</p>	<p><b>L</b></p>  <p>Patt lock - 2pcs</p>
<p><b>M</b></p>  <p>Hex - Head bolts Ø5/16" * 90 - 4sets</p>	<p><b>N</b></p>  <p>Hex - Head bolts Ø5/16" * 70 - 4sets</p>	<p><b>O</b></p>  <p>Hex - Head bolts Ø5/16" * 40 - 2sets</p>	<p><b>P</b></p>  <p>Wood crews M4 * 25 - 52pcs</p>
<p><b>Q</b></p>  <p>Wood crews M3.5 * 15 - 84pcs</p>	<p><b>R</b></p>  <p>Round wood crews M3.5 * 15 - 60pcs</p>	<p><b>T</b></p>  <p>Allen key K4 - 2pcs</p>	<p><b>S</b></p>  <p>Wood crews M4 * 45 - 18pcs</p>



Assembly Tools Required (Not Included)

# STEP 1



A



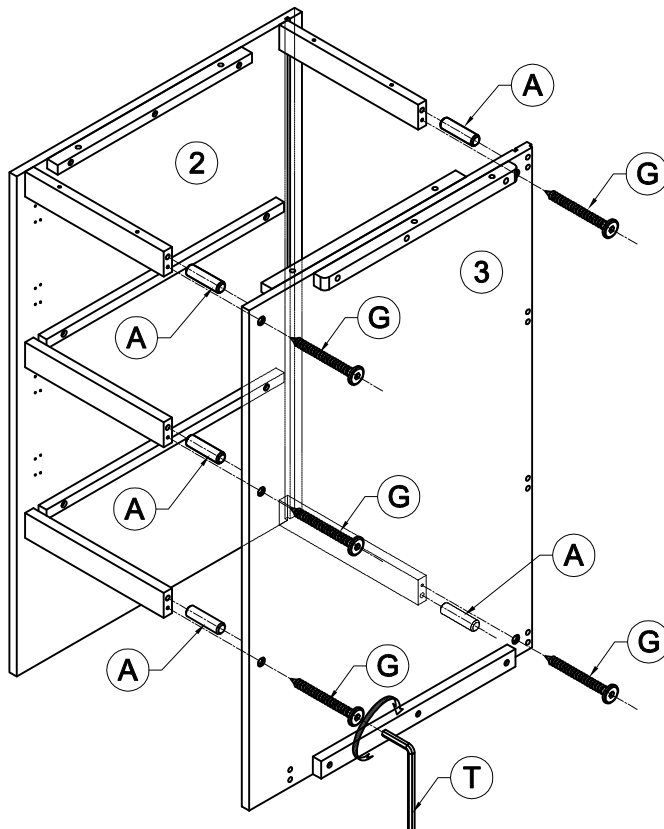
Wood dowel  
Ø8 \* 30 - 5pcs

G



Hexagonal bolts catch wood  
Ø1/4" \* 50 - 5pcs

# STEP 2



A



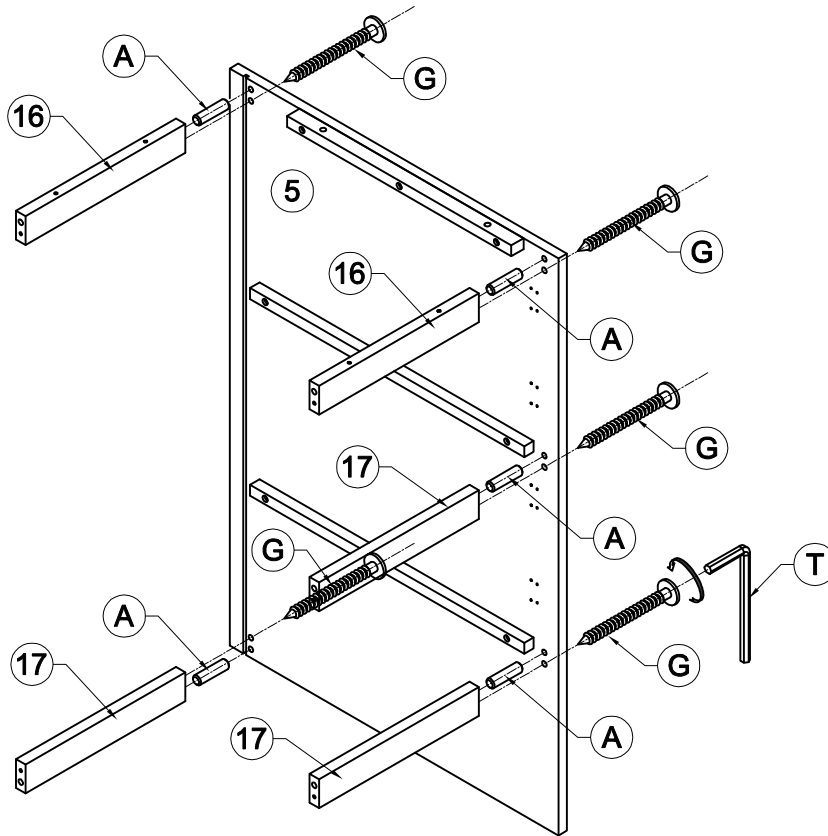
Wood dowel  
Ø8 \* 30 - 5pcs

G



Hexagonal bolts catch wood  
Ø1/4" \* 50 - 5pcs

# STEP 3



A



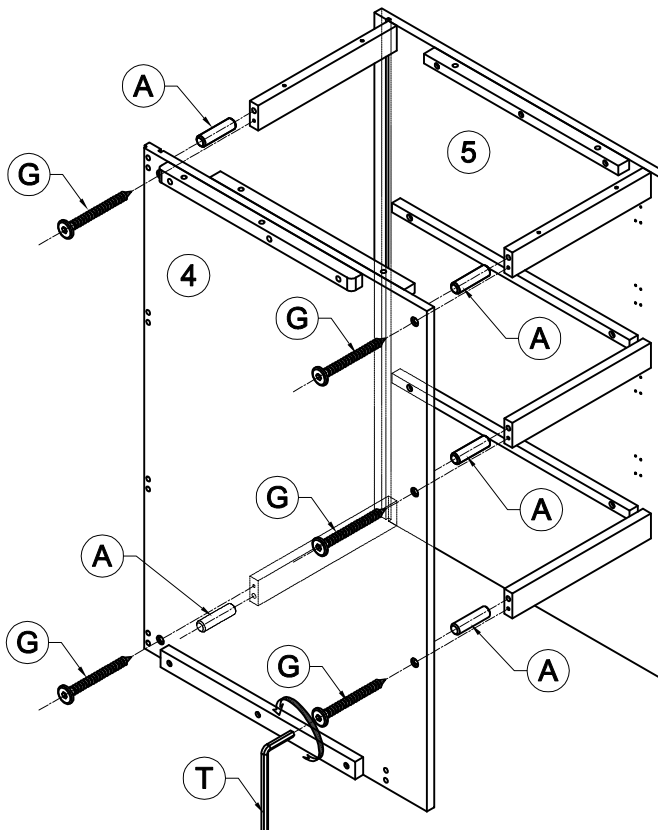
Wood dowel  
Ø8 \* 30 - 5pcs

G



Hexagonal bolts catch wood  
Ø1/4" \* 50 - 5pcs

# STEP 4



A



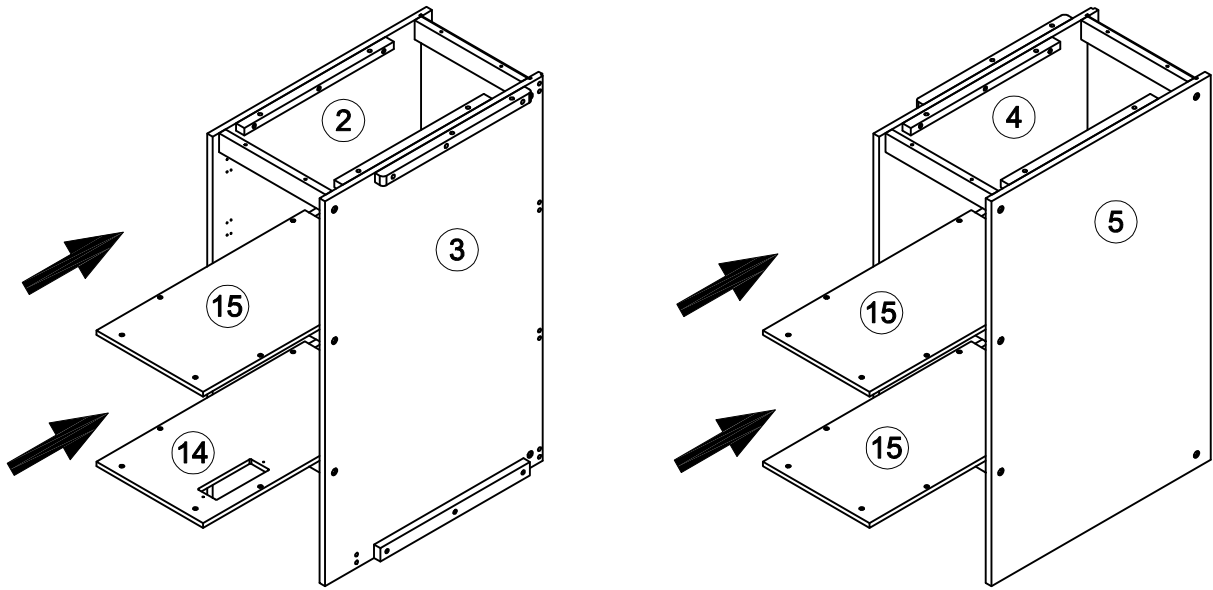
Wood dowel  
Ø8 \* 30 - 5pcs

G

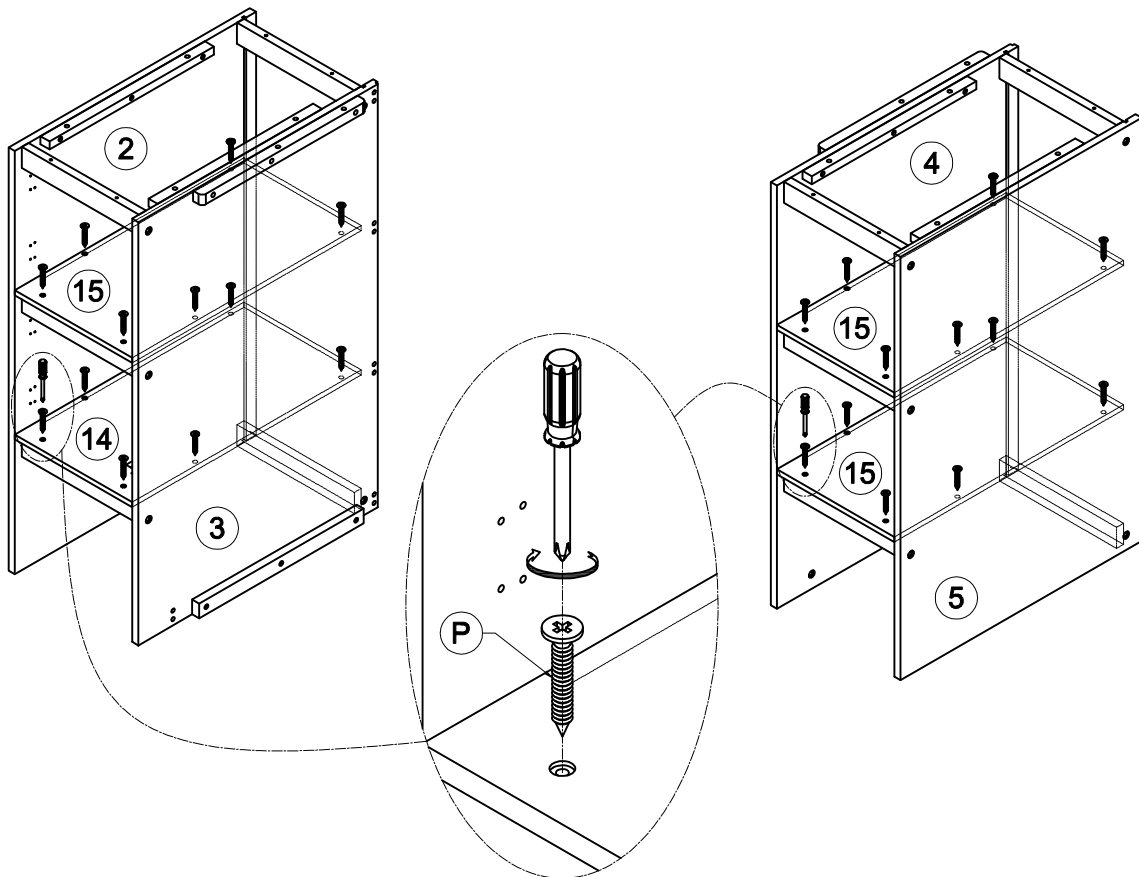


Hexagonal bolts catch wood  
Ø1/4" \* 50 - 5pcs

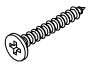
# STEP 5



# STEP 6

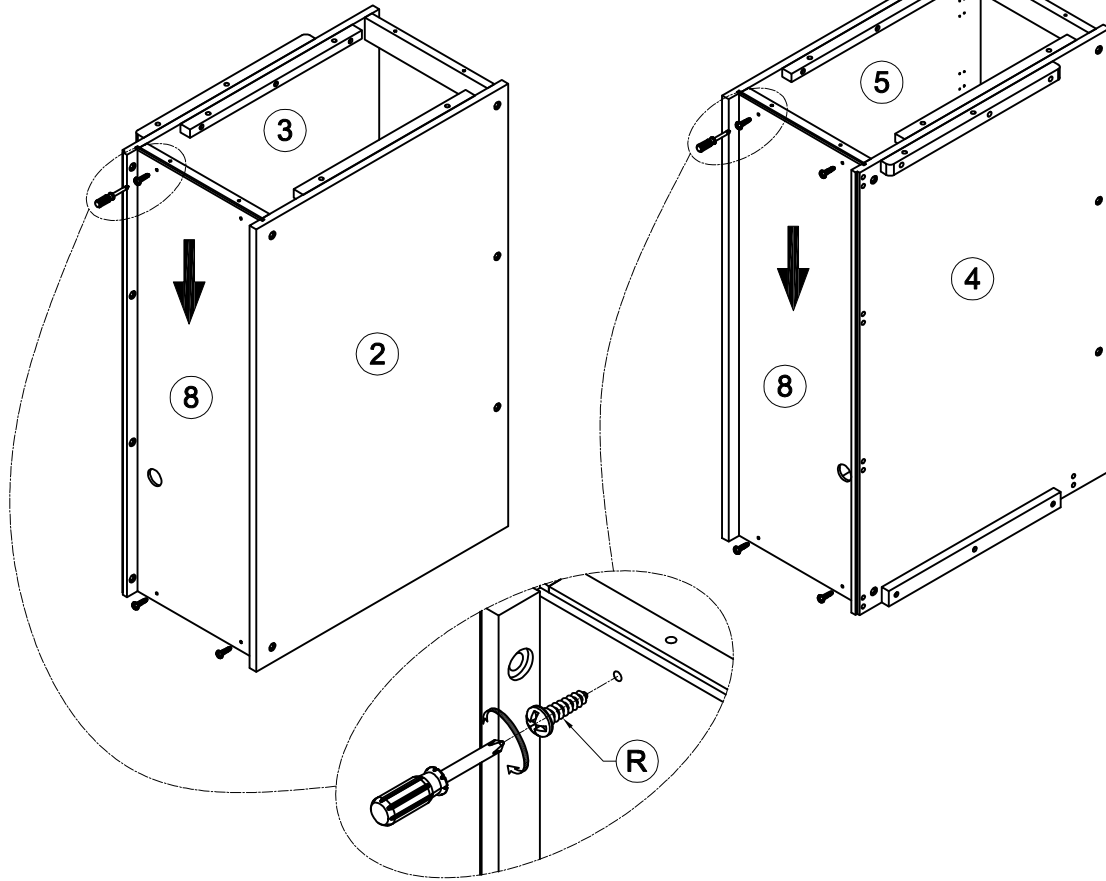


P



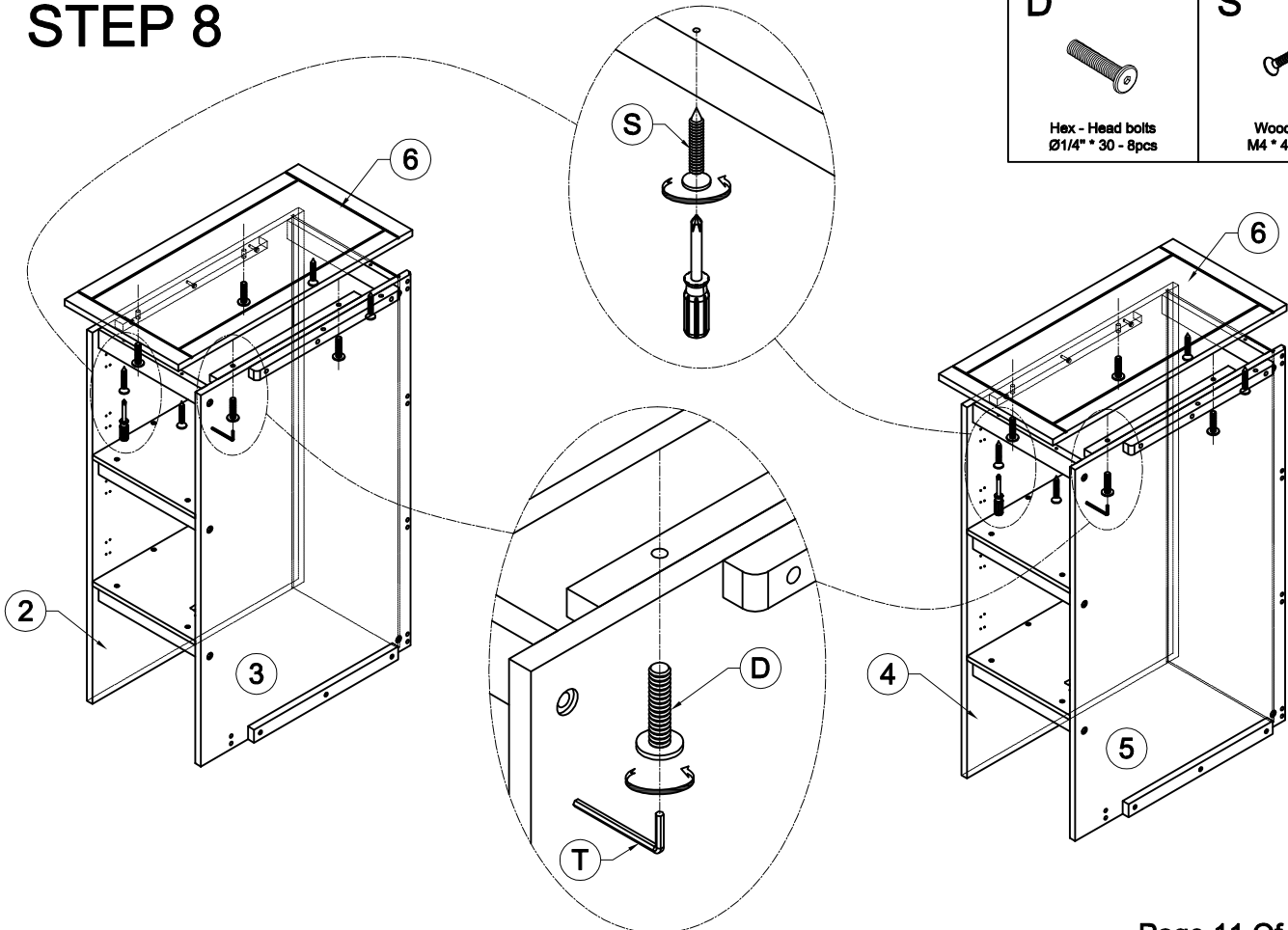
Wood screws  
M4 \* 25 - 24pcs

# STEP 7



**R**  
Round wood crews  
M3.5 \* 15 - 8pcs

# STEP 8



**D**  
Hex - Head bolts  
Ø1/4" \* 30 - 8pcs

**S**  
Wood crews  
M4 \* 45 - 8pcs

# STEP 9

A



Wood dowel  
Ø8 \* 30 - 10pcs

B

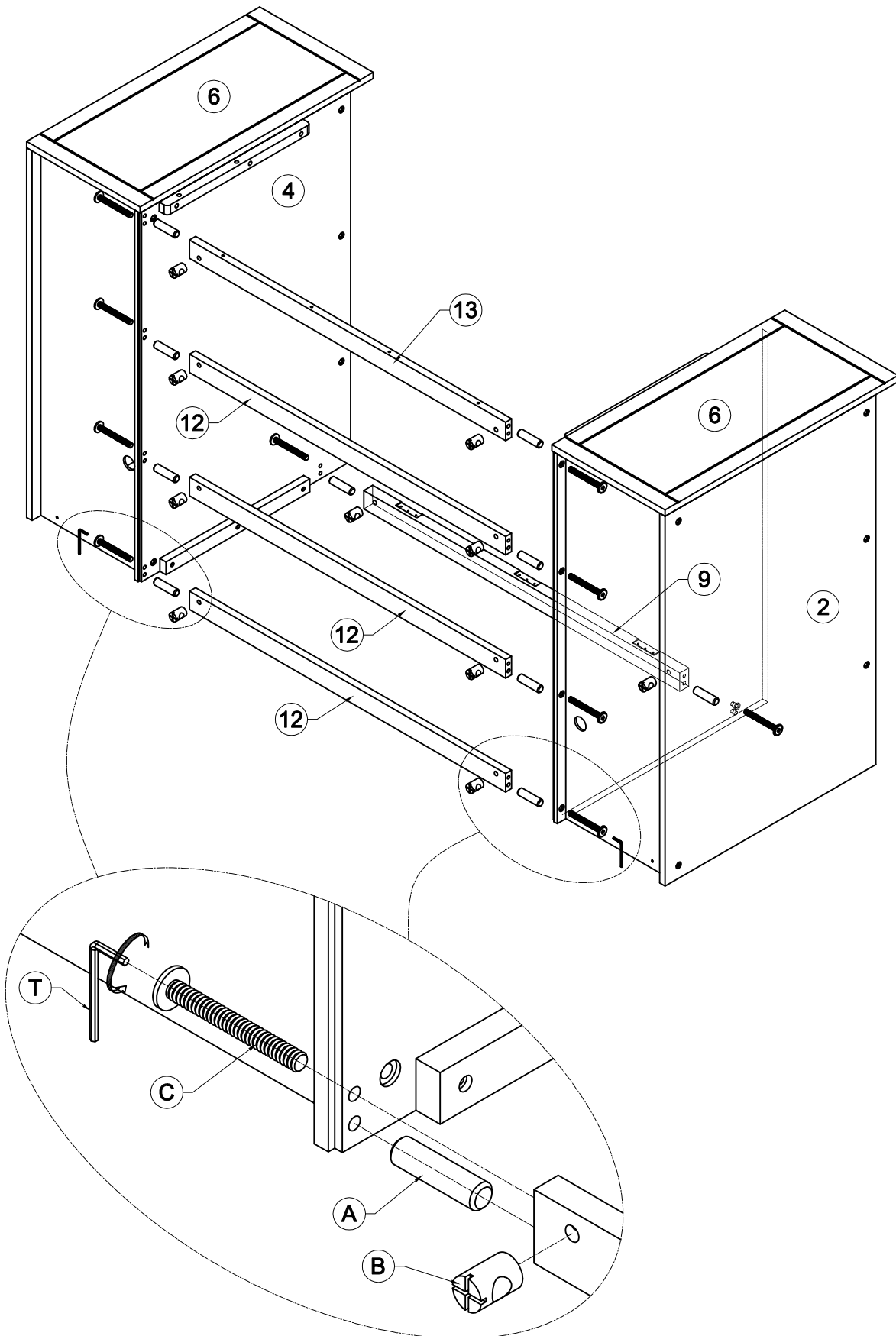


Horizontal - Hold bolts  
Ø1/4" - 10pcs

C



Hex - Head bolts  
Ø1/4" \* 60 - 10pcs



# STEP 10

D

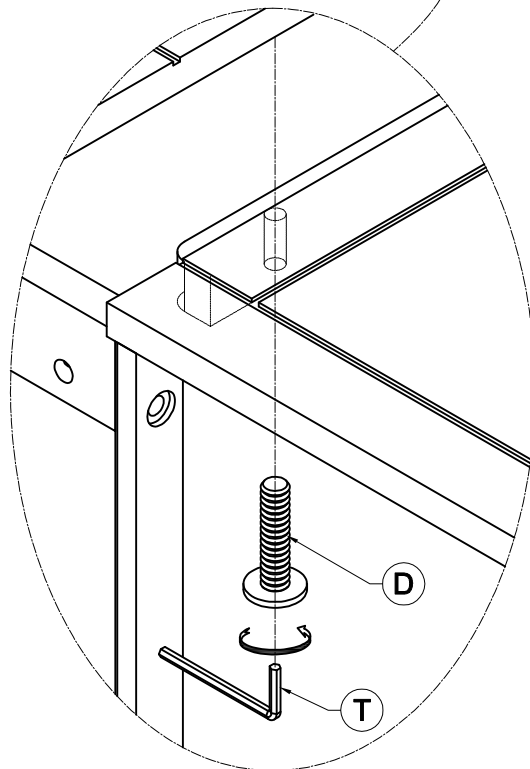
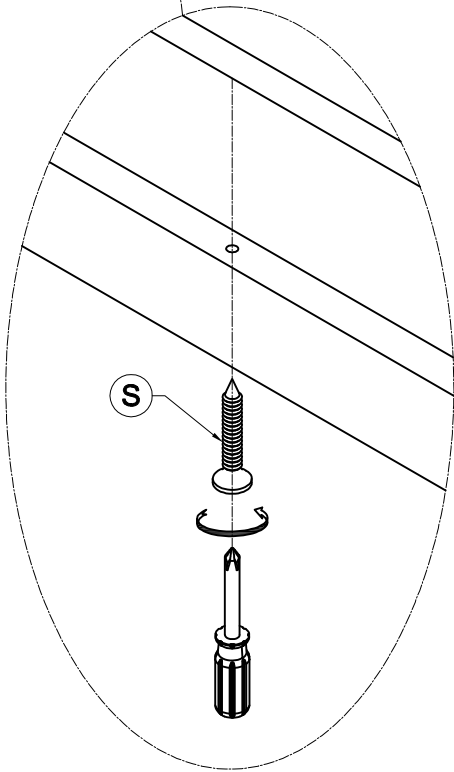
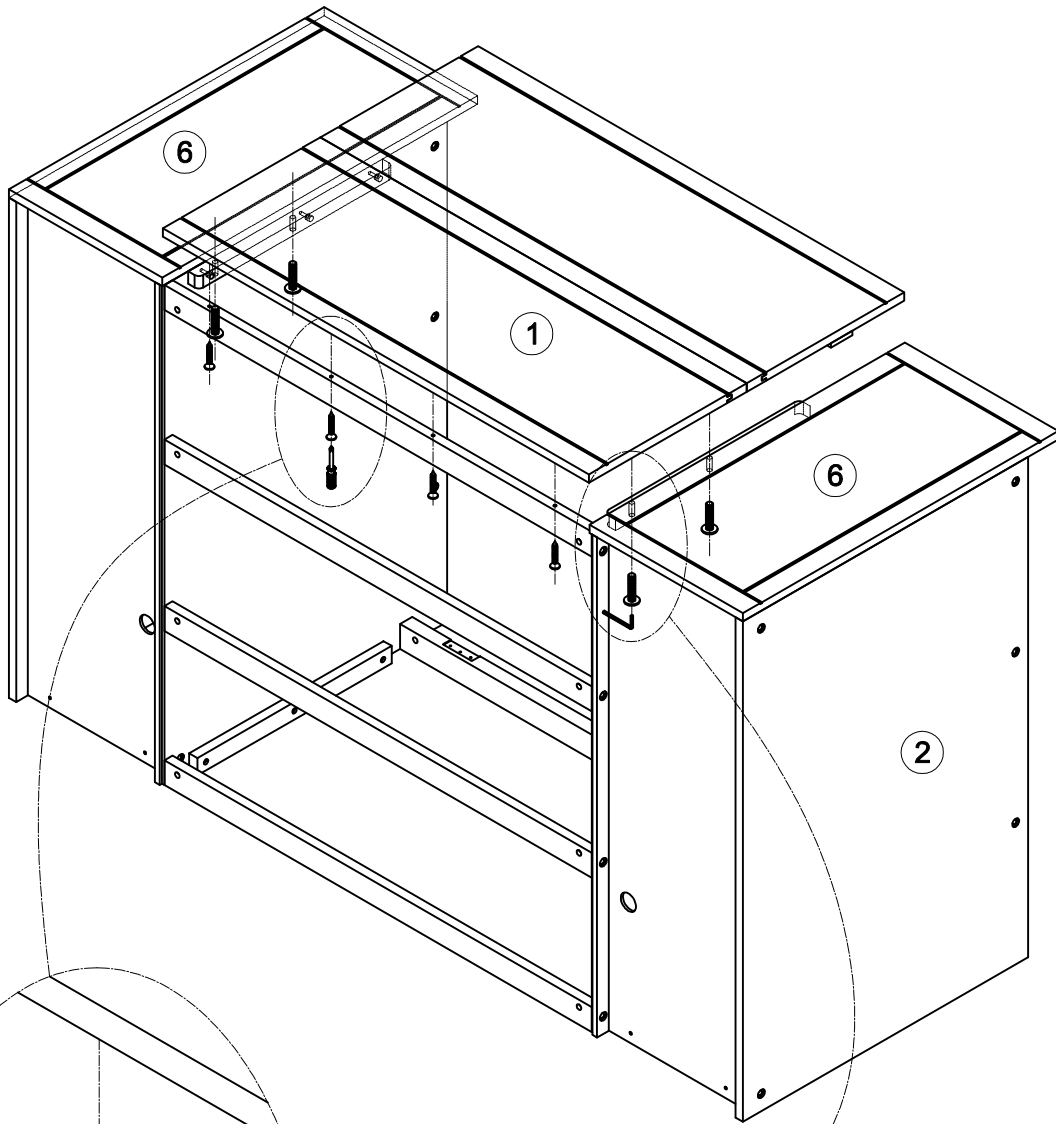


Hex - Head bolts  
Ø1/4" \* 30 - 4pcs

S



Wood crews  
M4 \* 45 - 4pcs

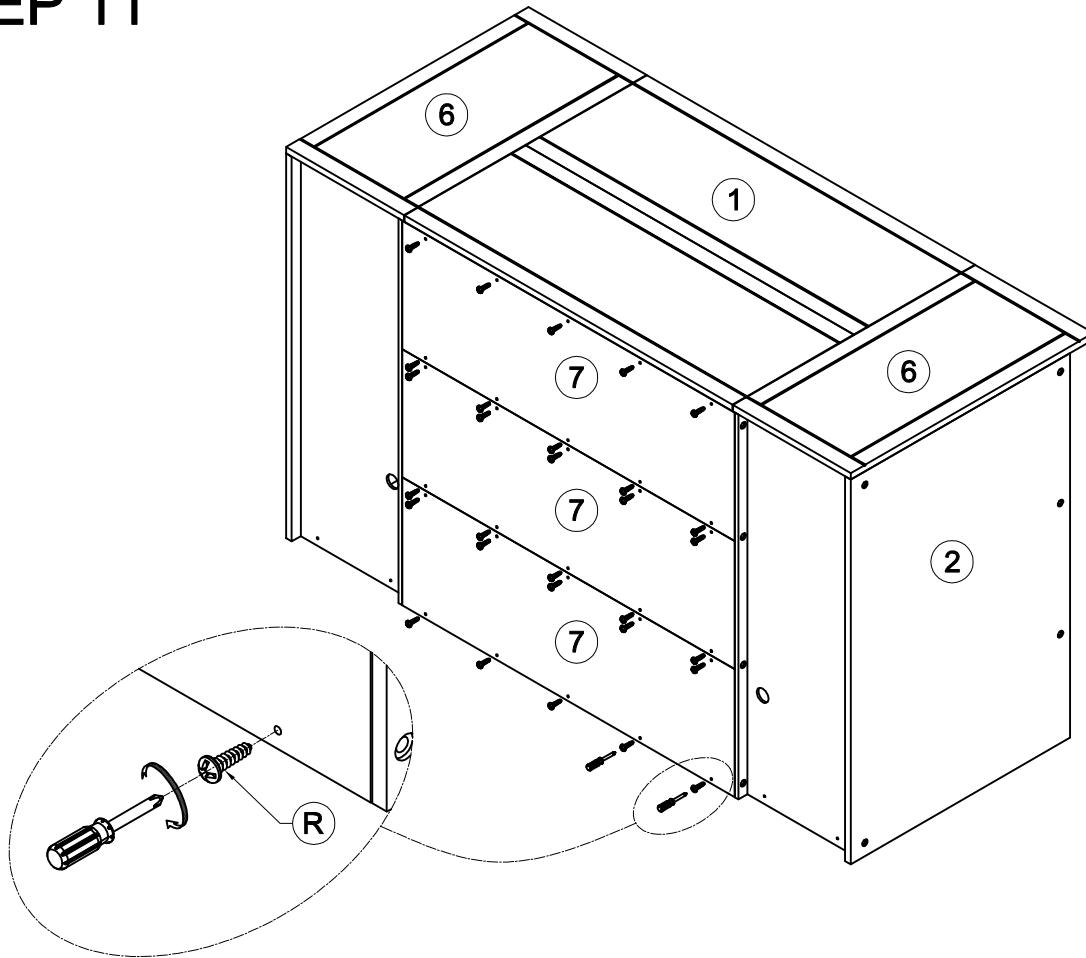


# STEP 11

R



Round wood crews  
M3.5 \* 15 - 30pcs

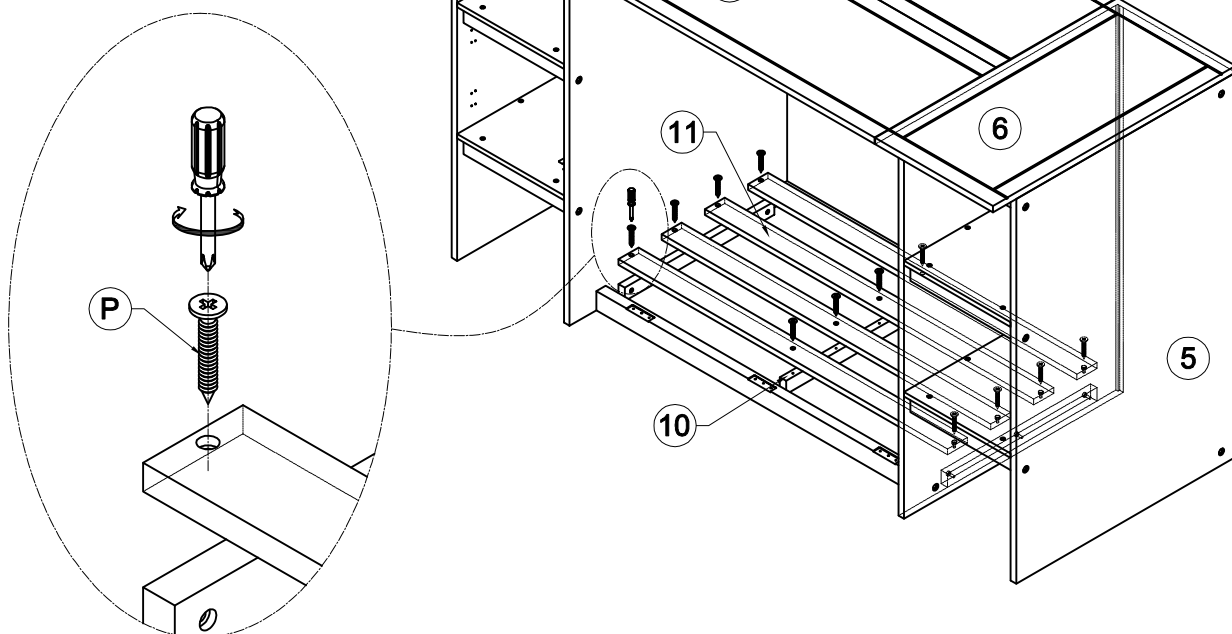


# STEP 12

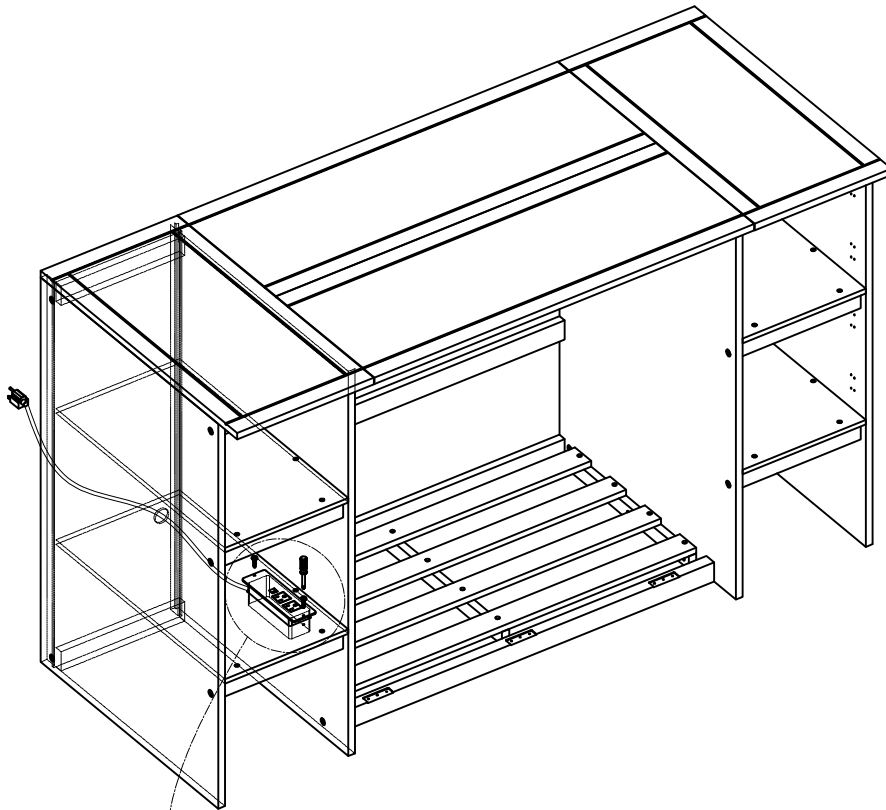
P



Wood crews  
M4 \* 25 - 12pcs



# STEP 13

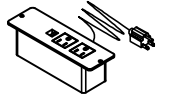


R

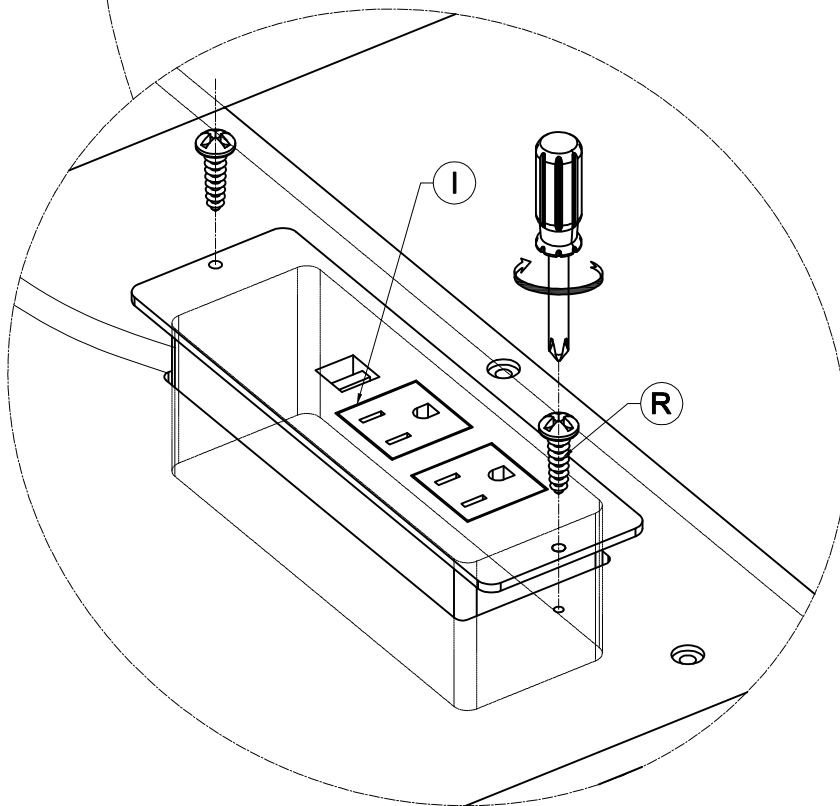


Round wood screws  
M3.5 \* 15 - 2pcs

I

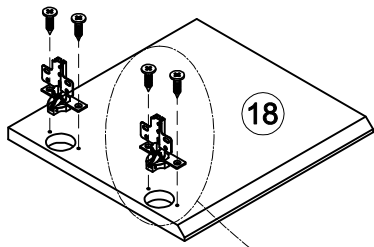


Power outlet - 1pc

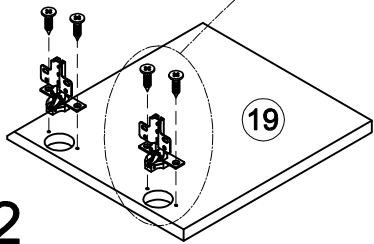


# STEP 14

X2



X2

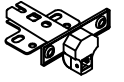


Q



Wood crews  
M3.5 \* 15 - 16pcs

H



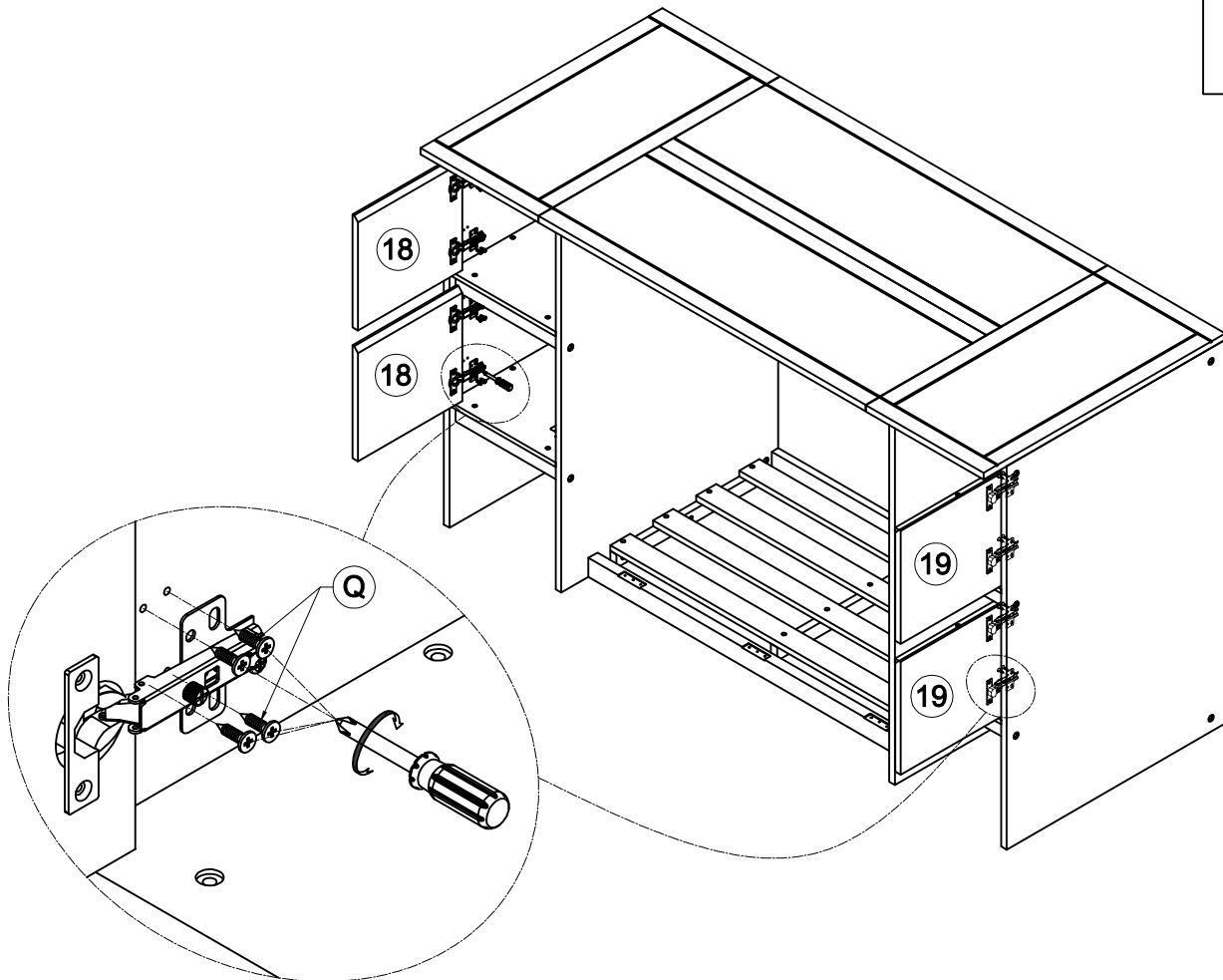
Insert hinge - 8pcs

# STEP 15

Q



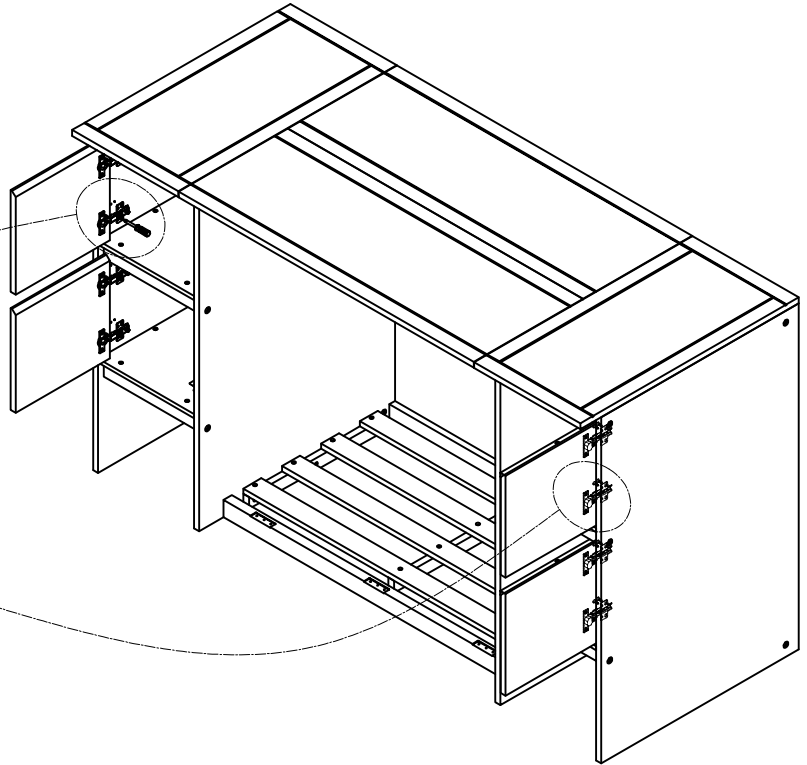
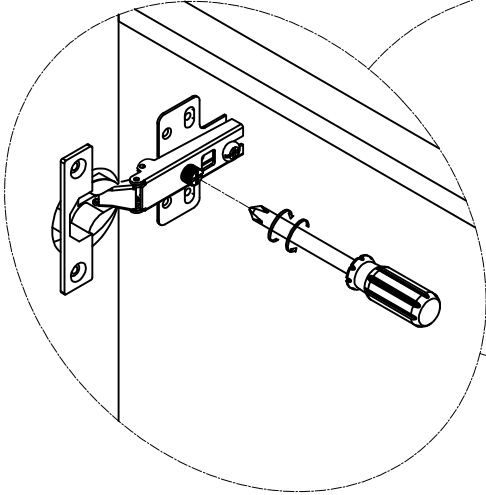
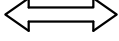
Wood crews  
M3.5 \* 15 - 32pcs



# STEP 16

LEFT

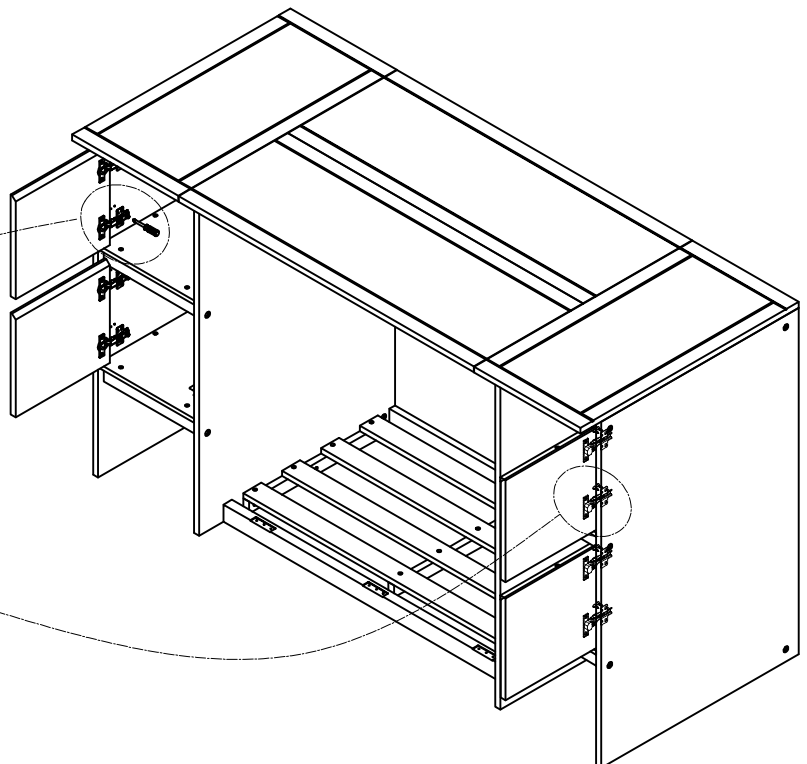
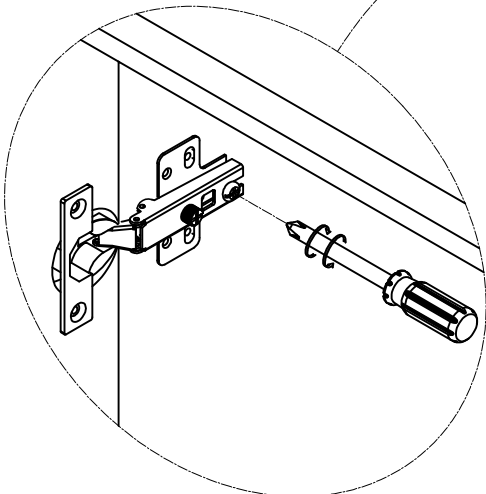
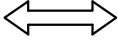
RIGHT



Adjust the hinges for proper clearance

FRONT

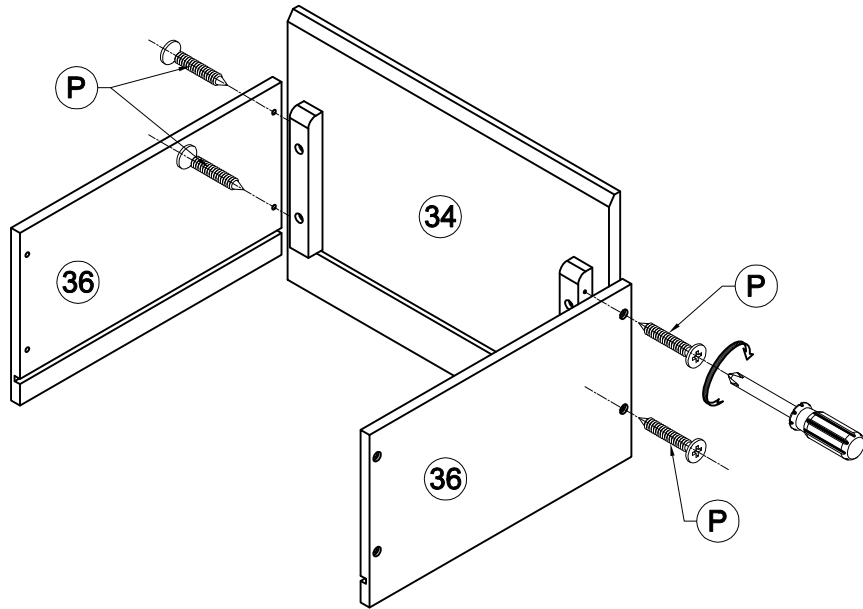
BACK



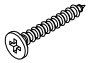
Adjust the hinges for proper clearance

# STEP 17

X2



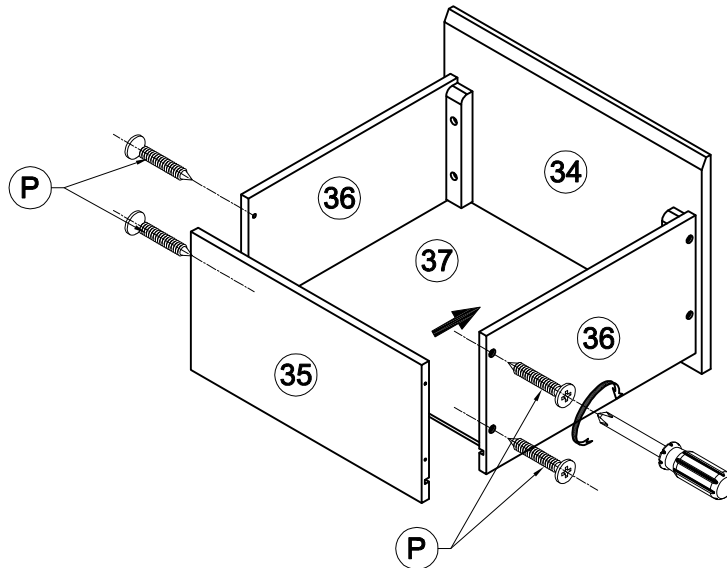
P



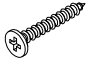
Wood crews  
M4 \* 25 - 8pcs

# STEP 18

X2



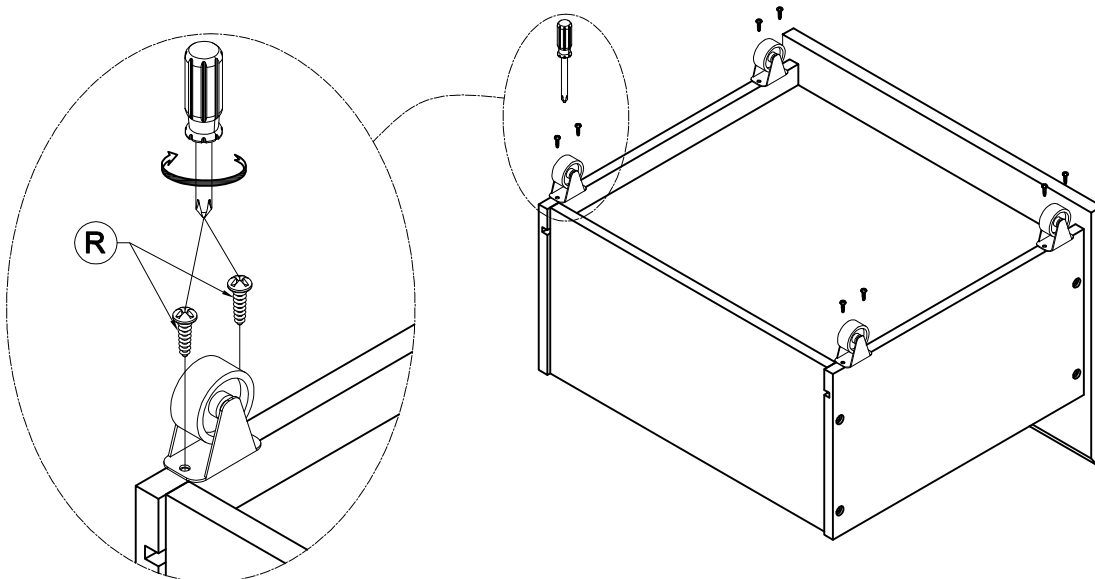
P



Wood crews  
M4 \* 25 - 8pcs

# STEP 19

X2



K



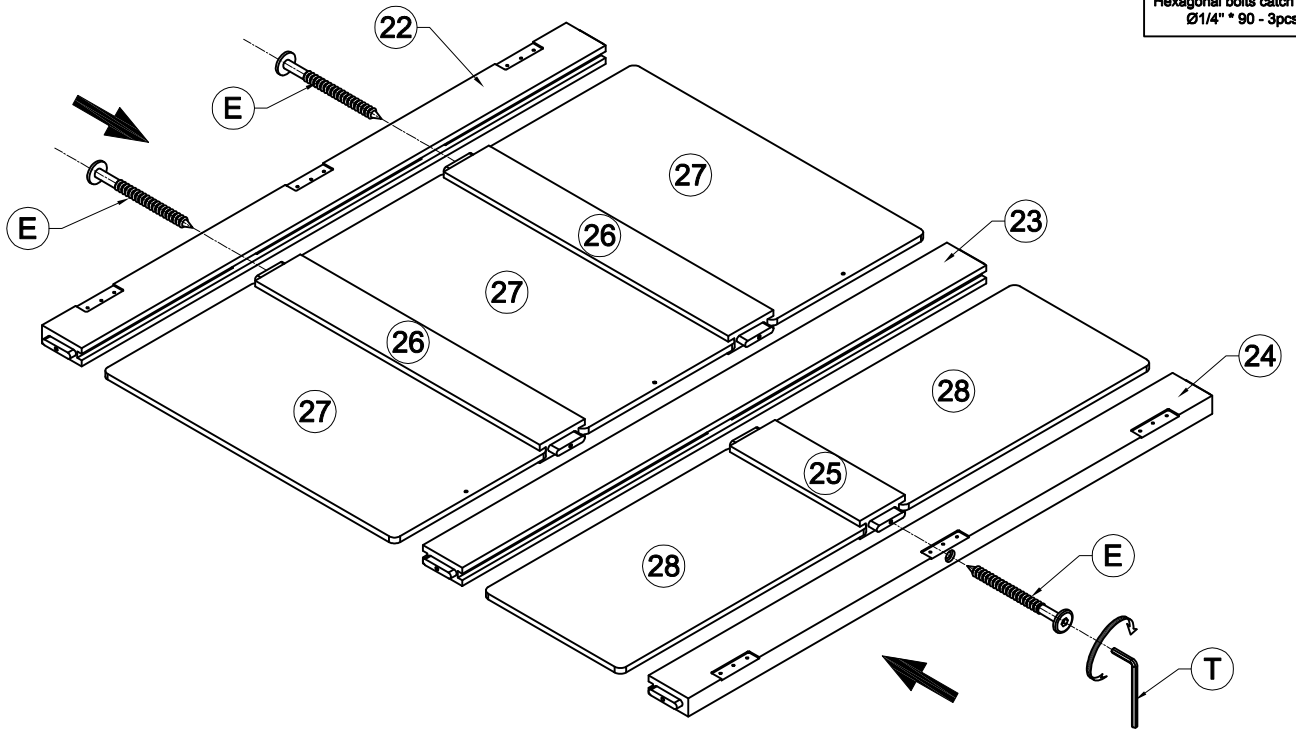
Wheel - 8pcs

R



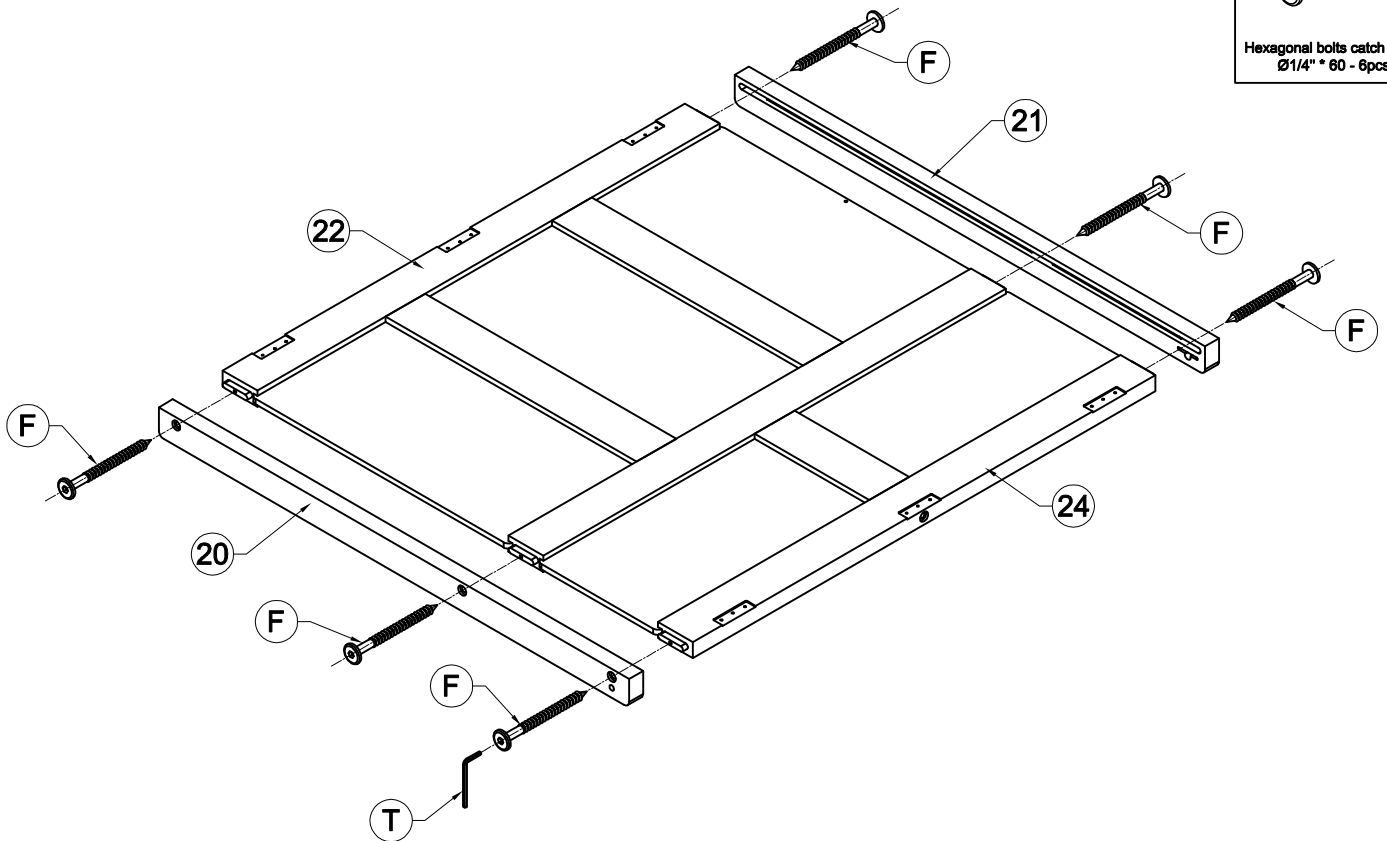
Round wood crews  
M3.5 \* 15 - 16pcs

# STEP 20



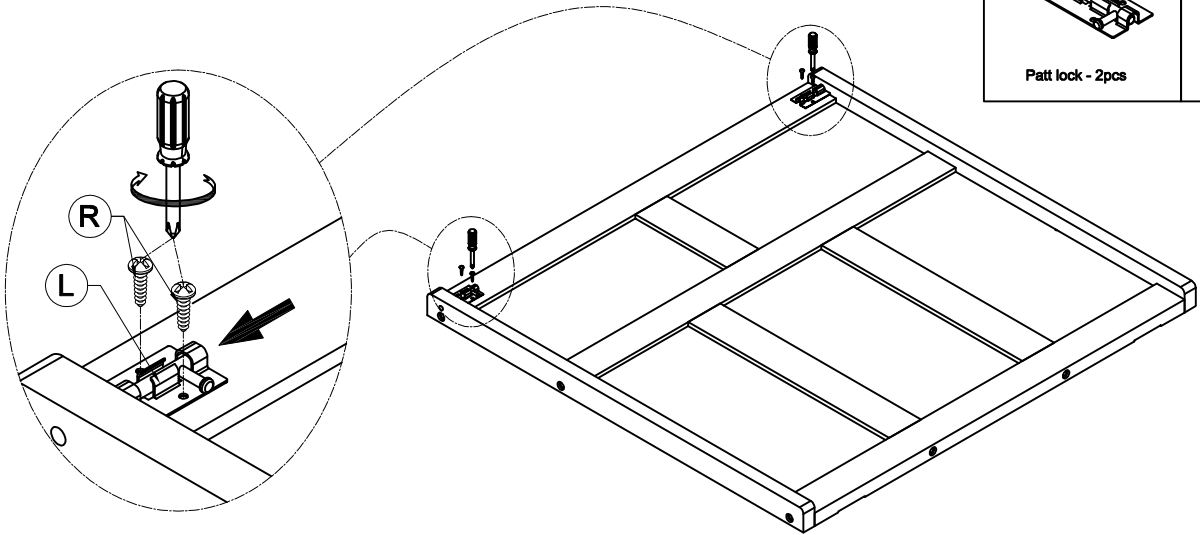
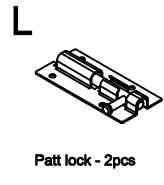
**E**  
Hexagonal bolts catch wood  
Ø1/4" \* 90 - 3pcs

# STEP 21

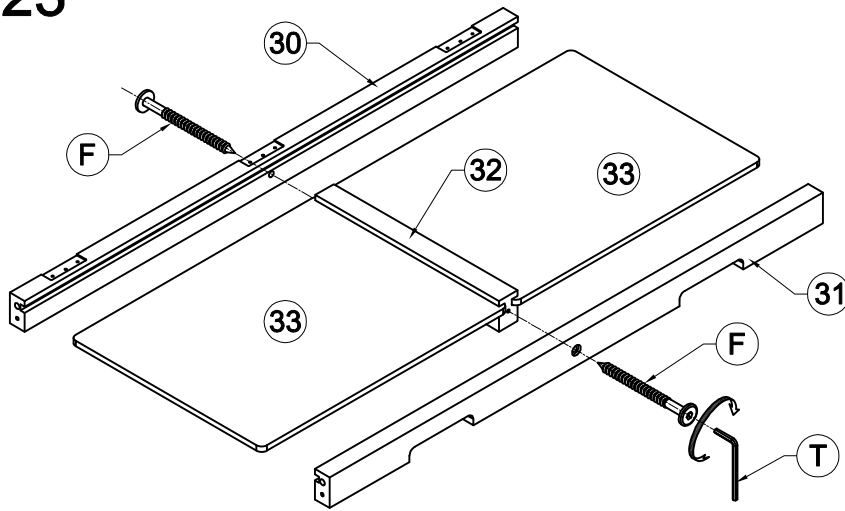


**F**  
Hexagonal bolts catch wood  
Ø1/4" \* 60 - 6pcs

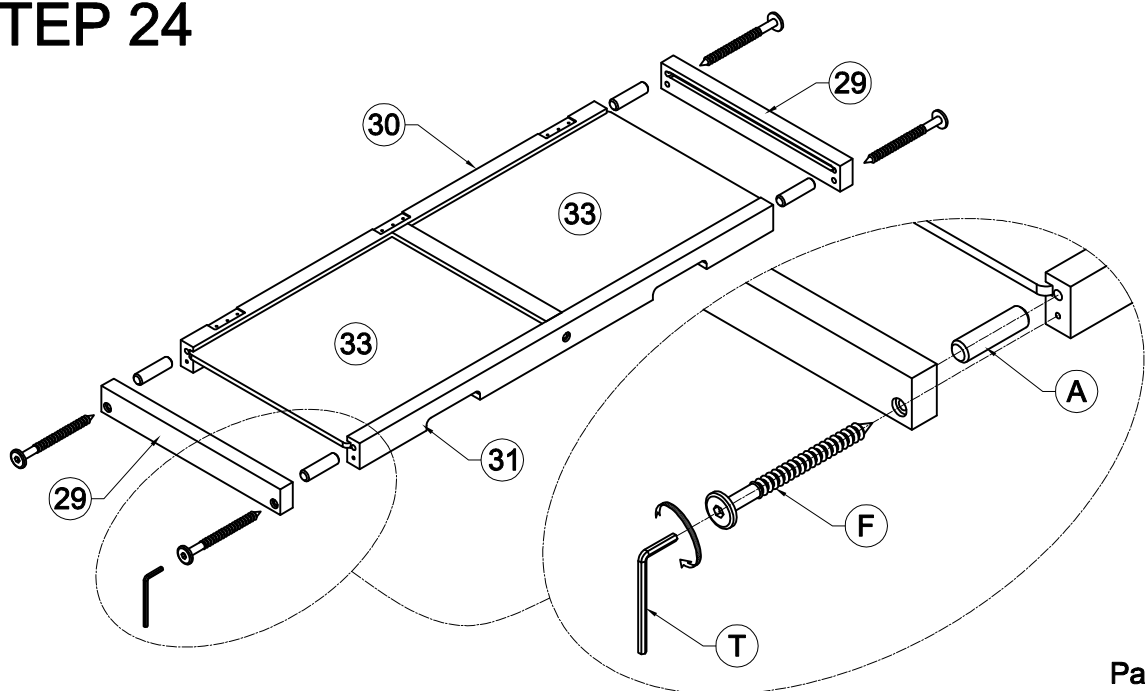
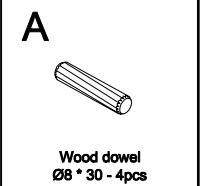
# STEP 22



# STEP 23

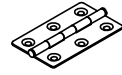


# STEP 24



# STEP 25

J

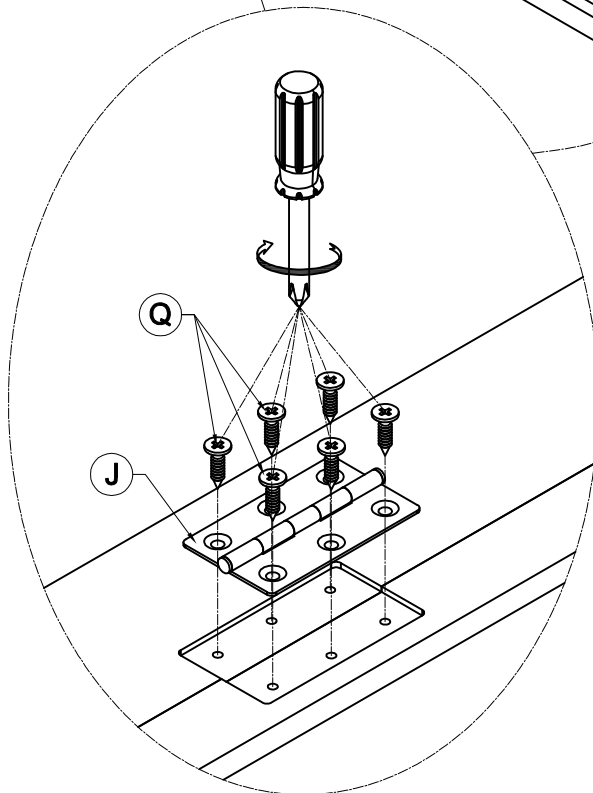
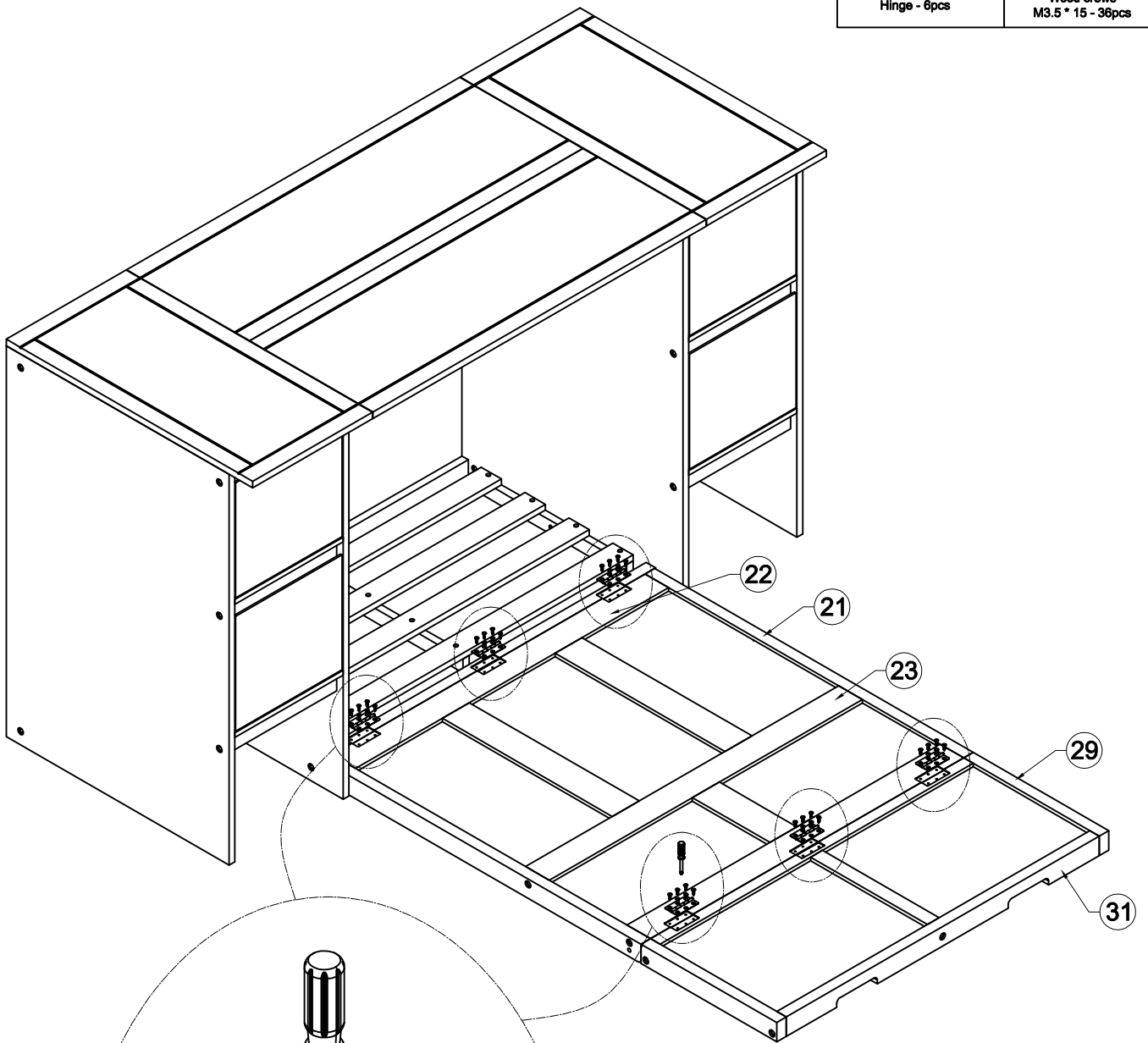


Hinge - 6pcs

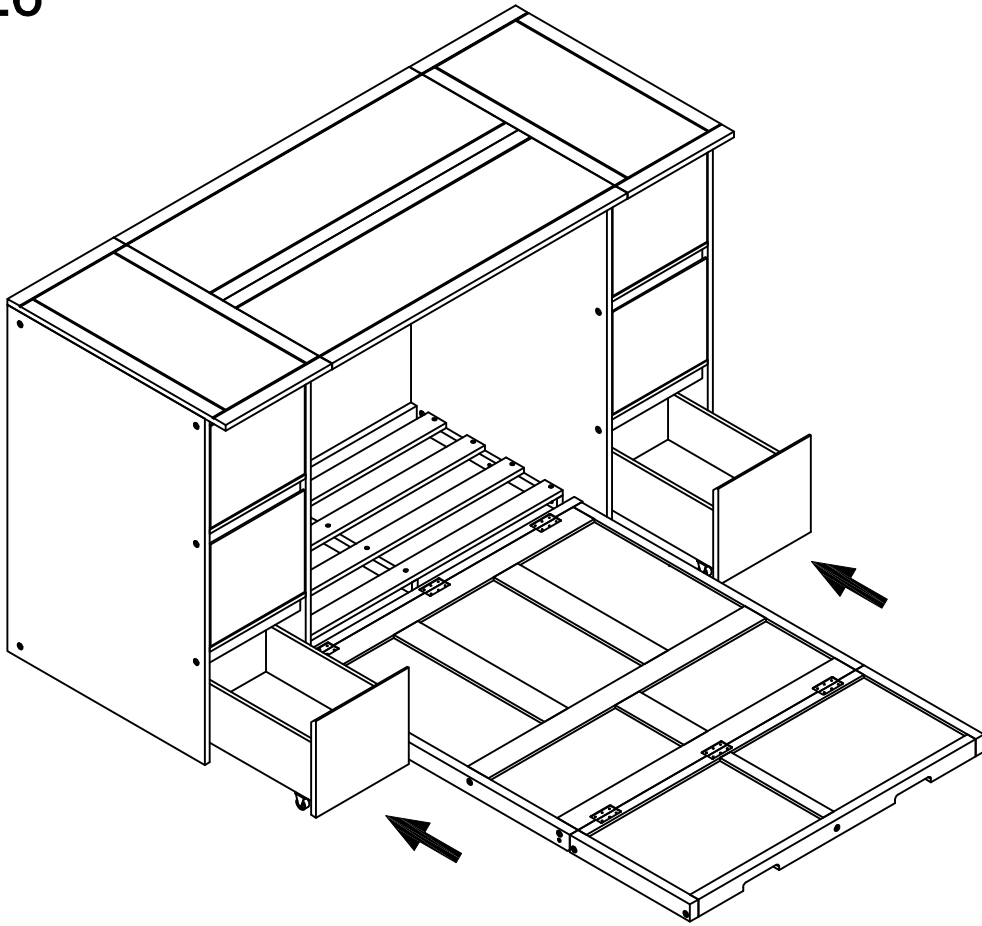
Q



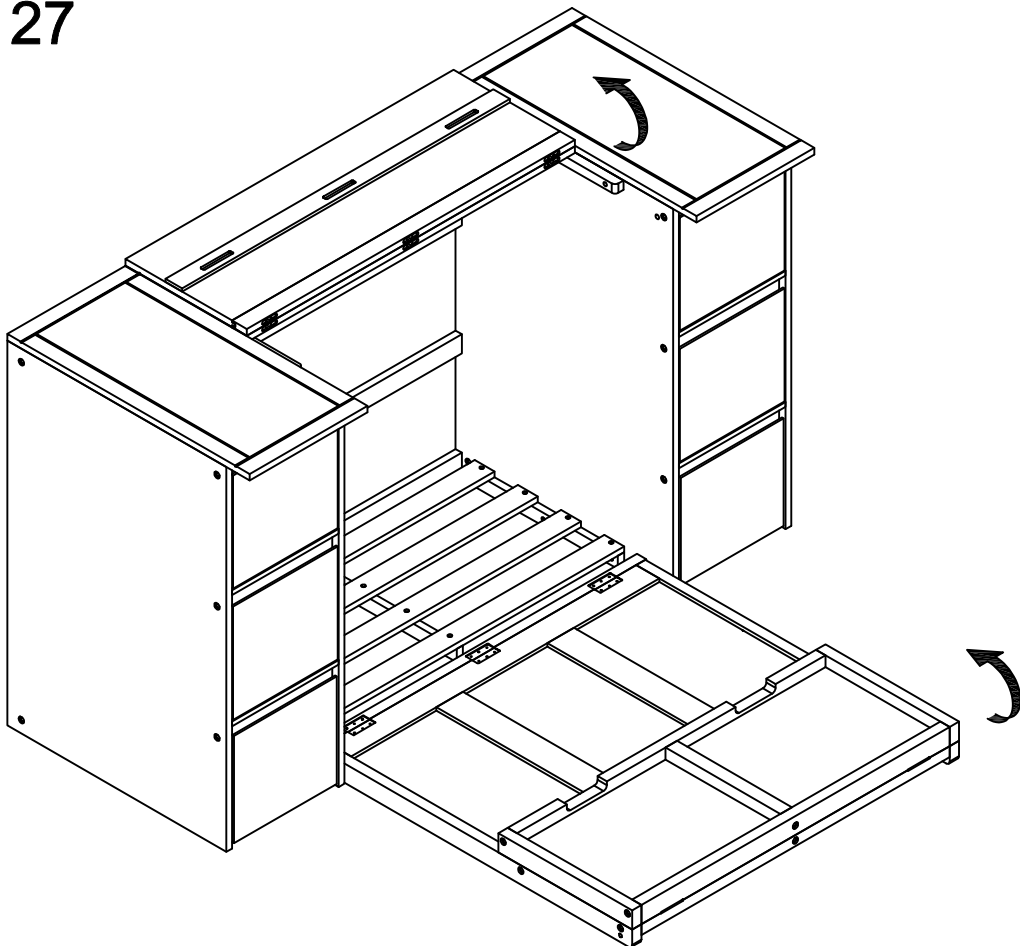
Wood screws  
M3.5 \* 15 - 36pcs



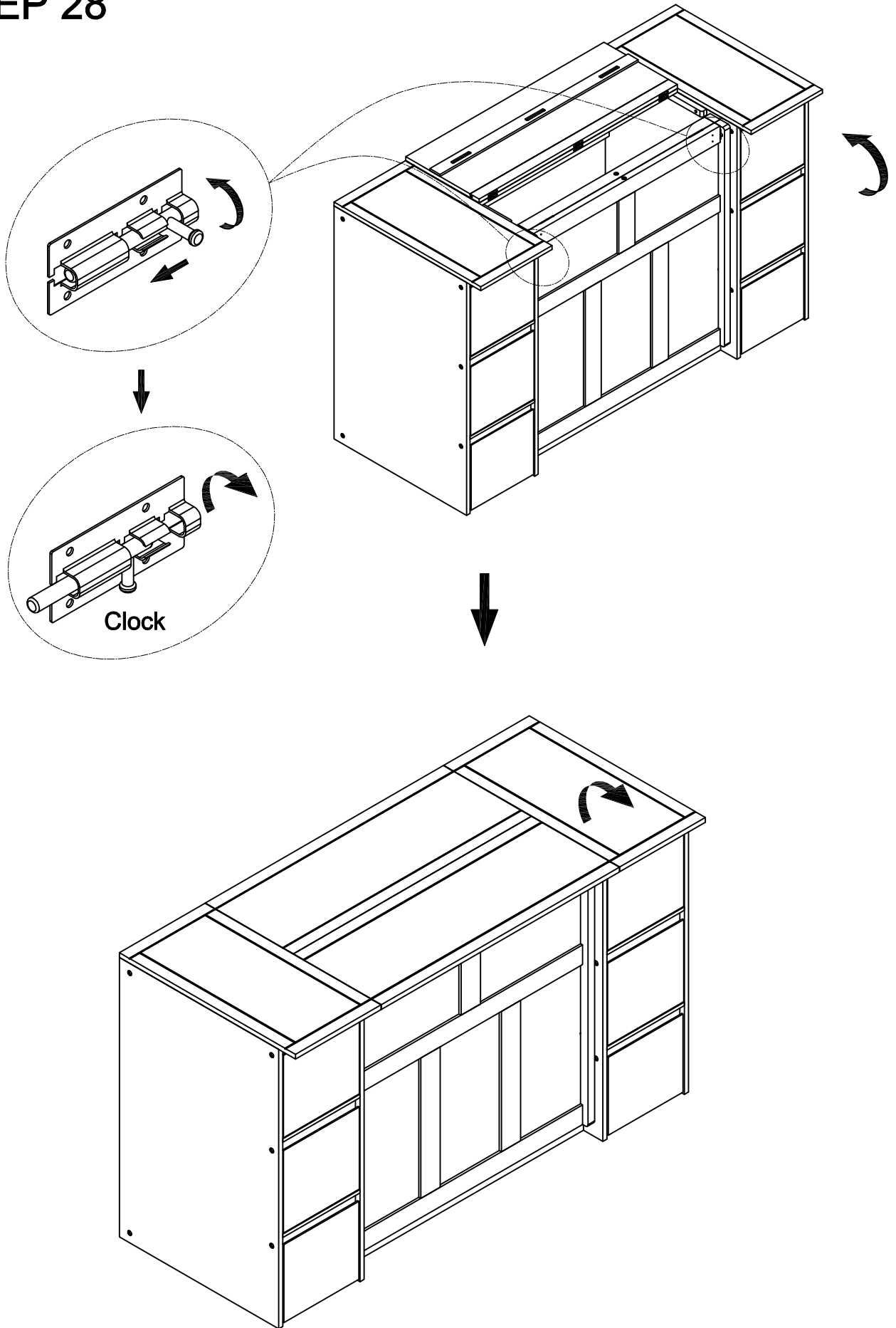
# STEP 26



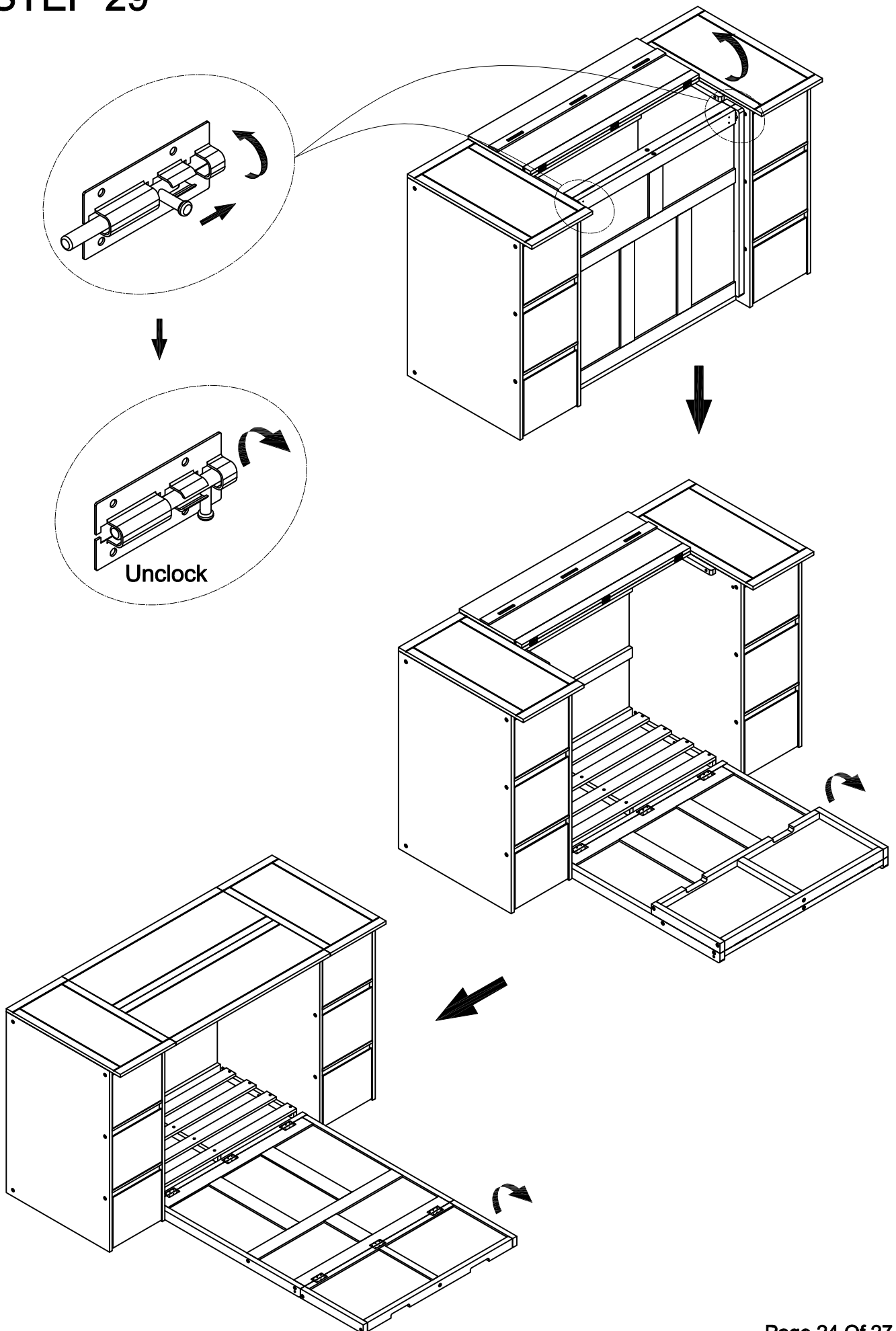
# STEP 27



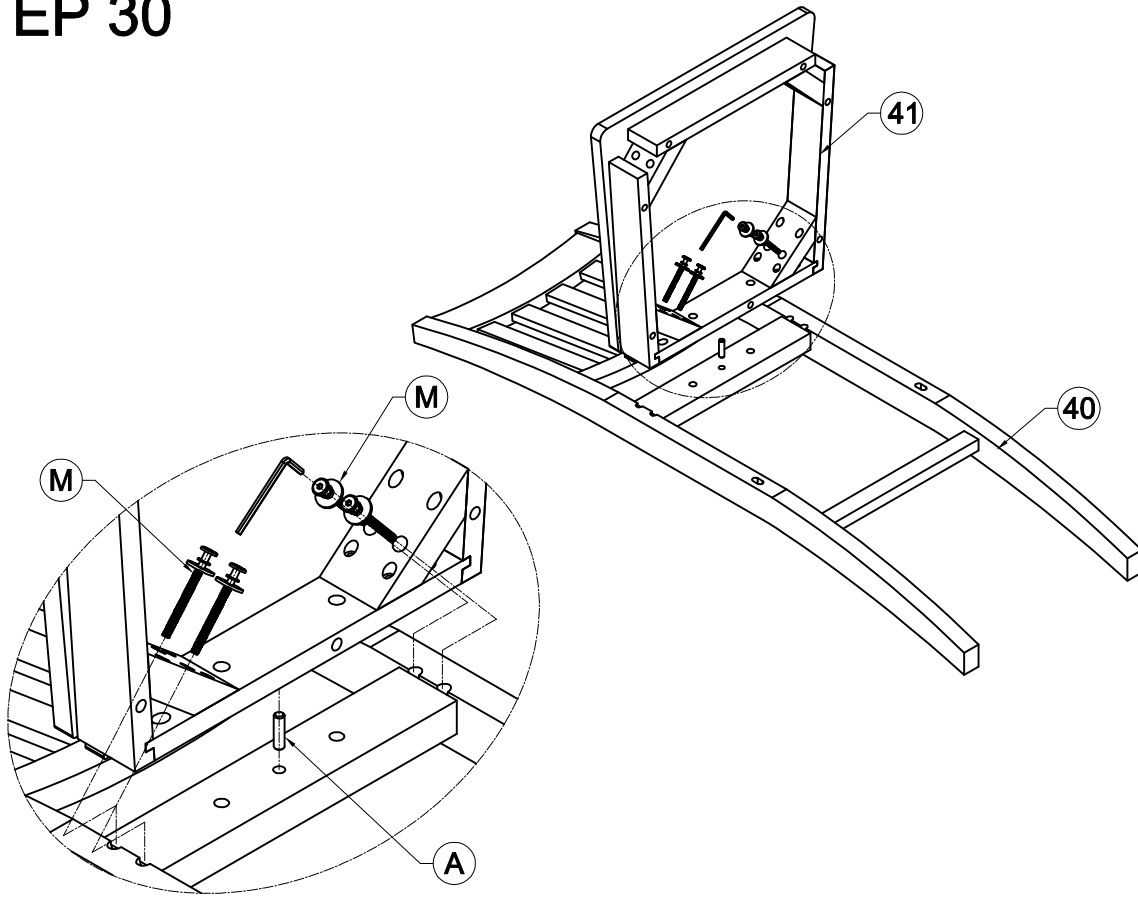
# STEP 28



# STEP 29



# STEP 30

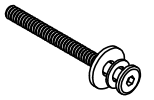


A



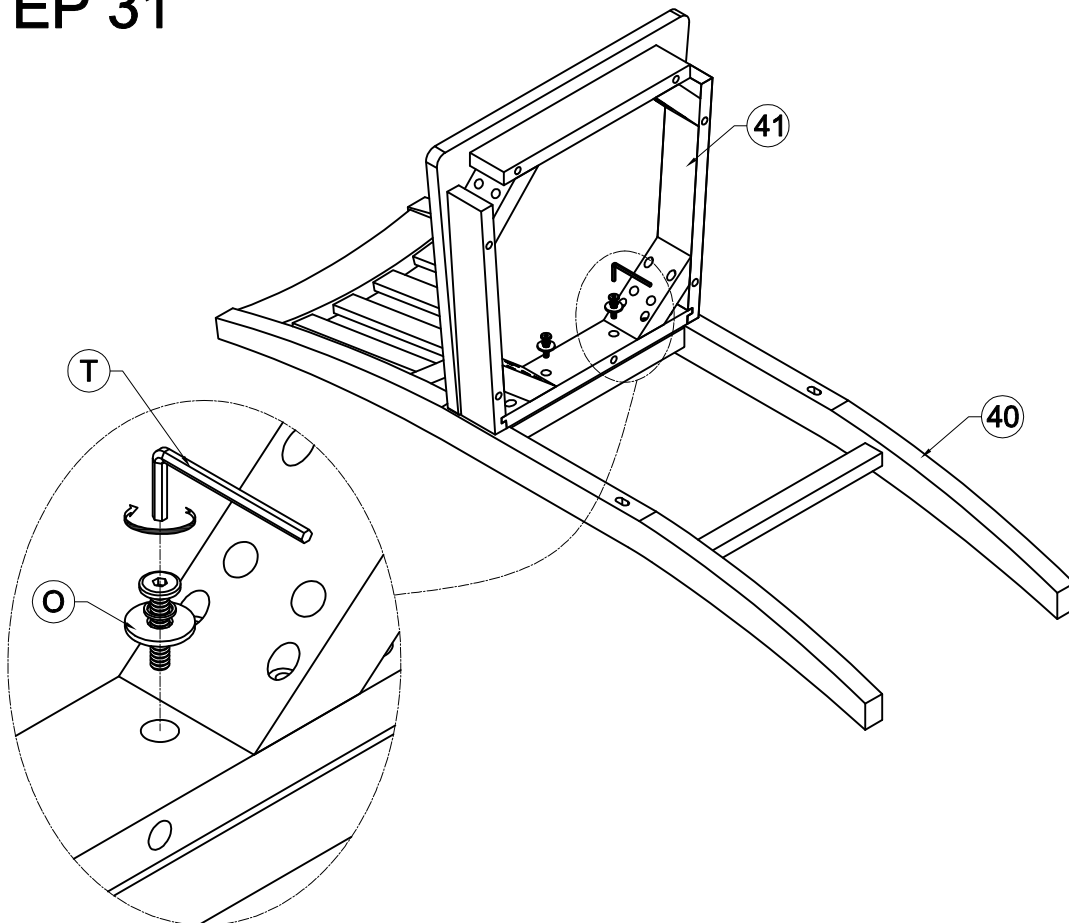
Wood dowel  
Ø8 \* 30 - 1pc

M



Hex - Head bolts  
Ø5/16" \* 90 - 4sets

# STEP 31

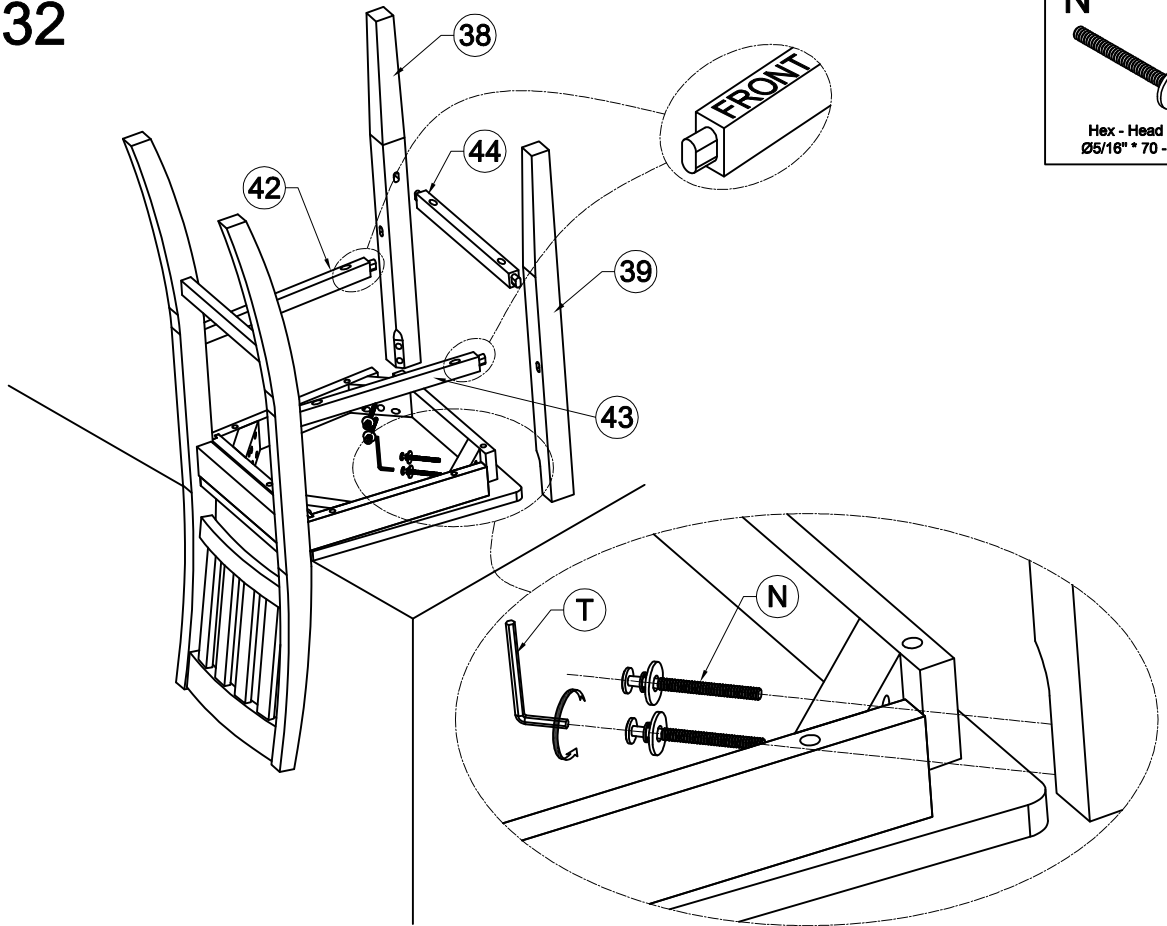


O

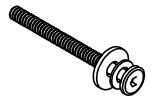


Hex - Head bolts  
Ø5/16" \* 40 - 2sets

# STEP 32

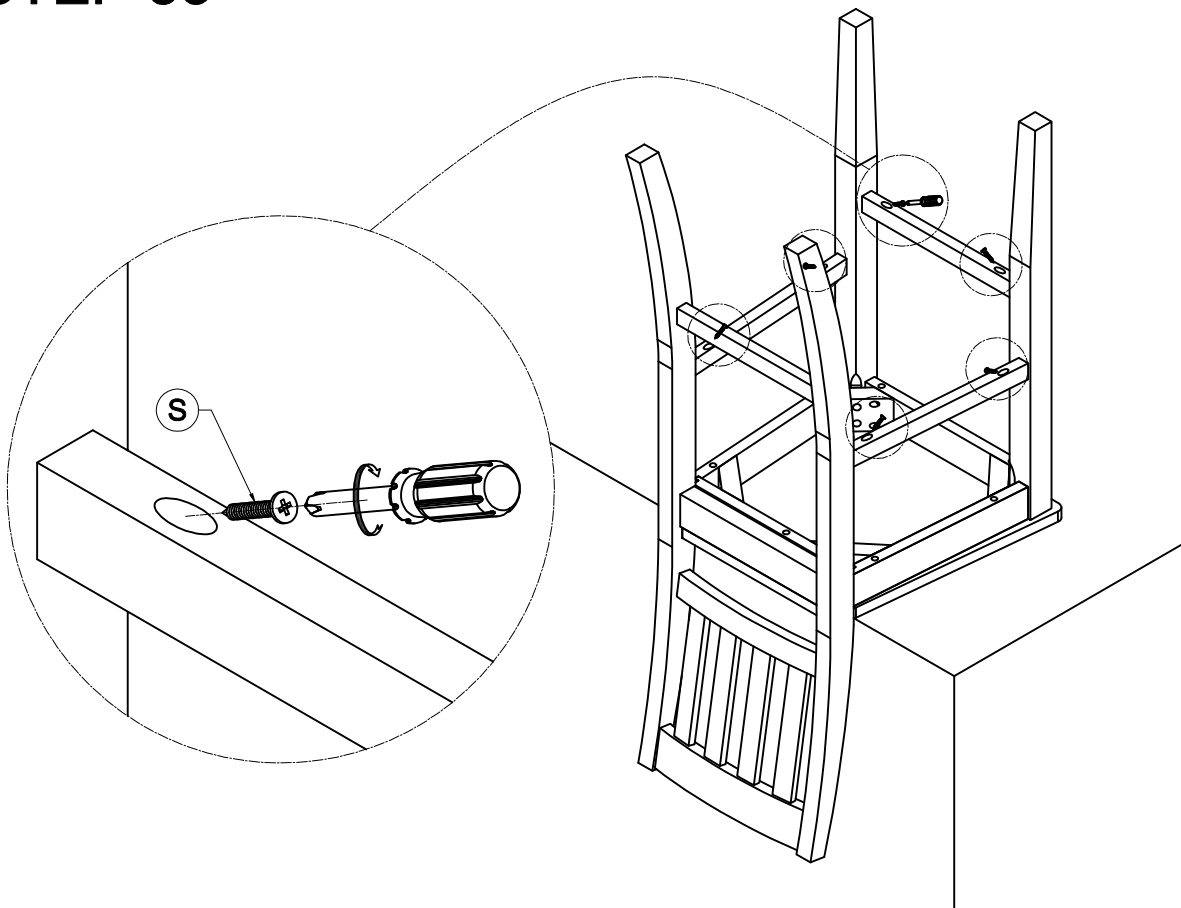


N



Hex - Head bolts  
Ø5/16" \* 70 - 4sets

# STEP 33



S



Wood crews  
M4 \* 45 - 6pcs

COMPLETED

