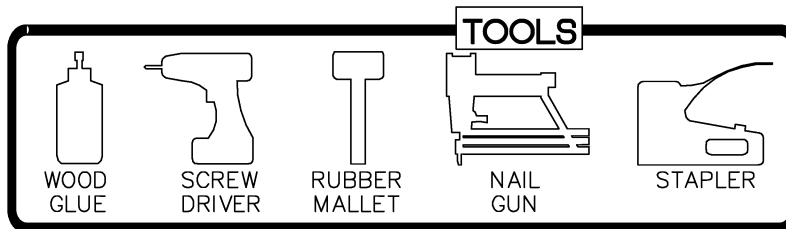
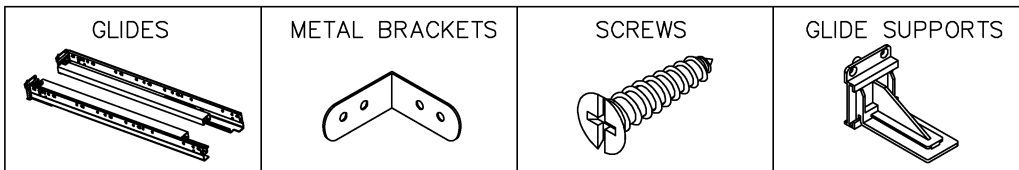
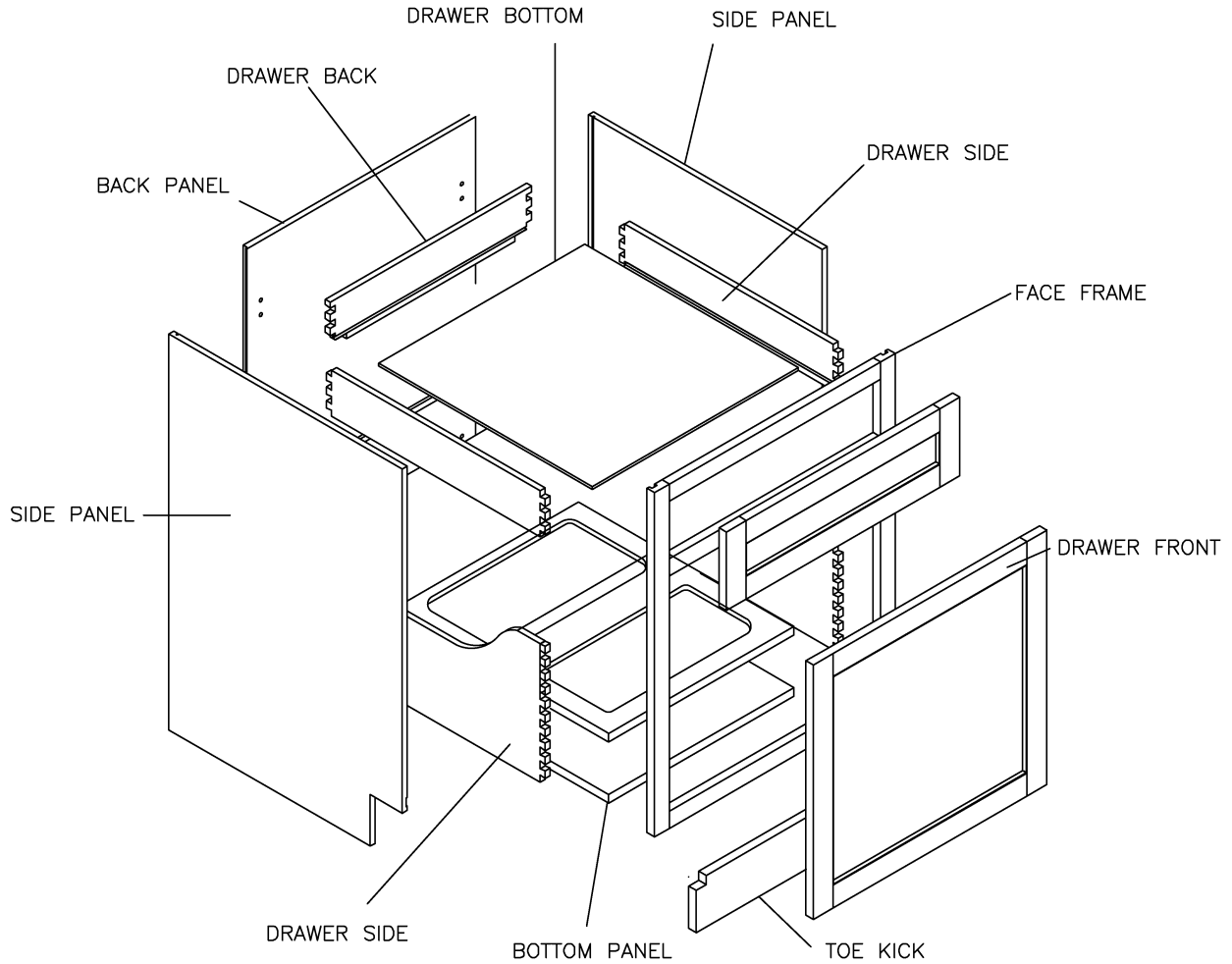


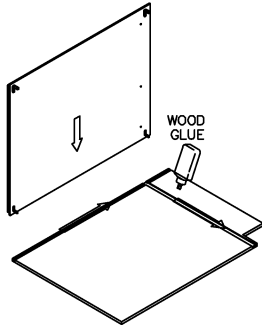
ASSEMBLY INSTRUCTIONS - BASE WASTE BASKET CABINET



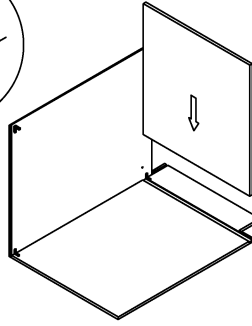
This instruction applies to the following items:
BWBKT18

STEP 1

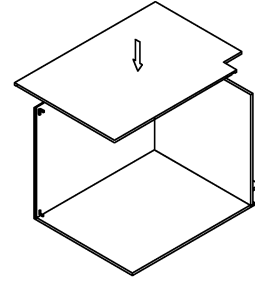
Glue each assembly slot



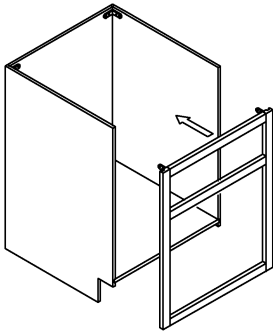
STEP 2



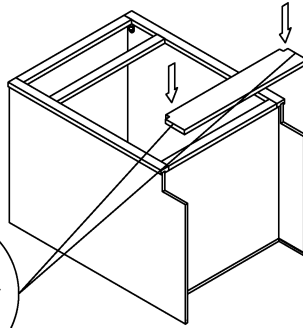
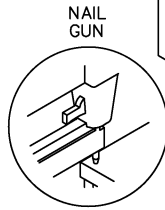
STEP 3



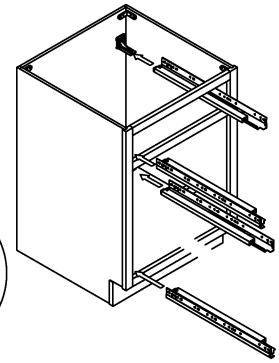
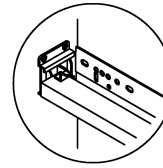
STEP 4



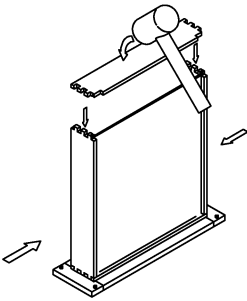
STEP 5



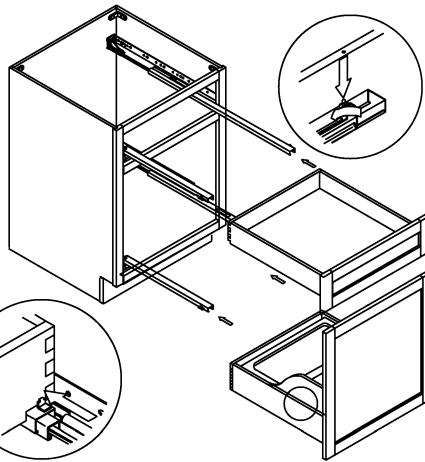
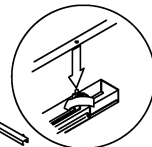
STEP 6



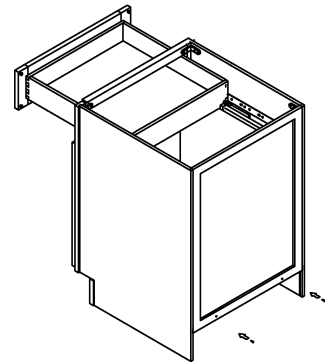
STEP 7



STEP 8



STEP 9



STEP 10

