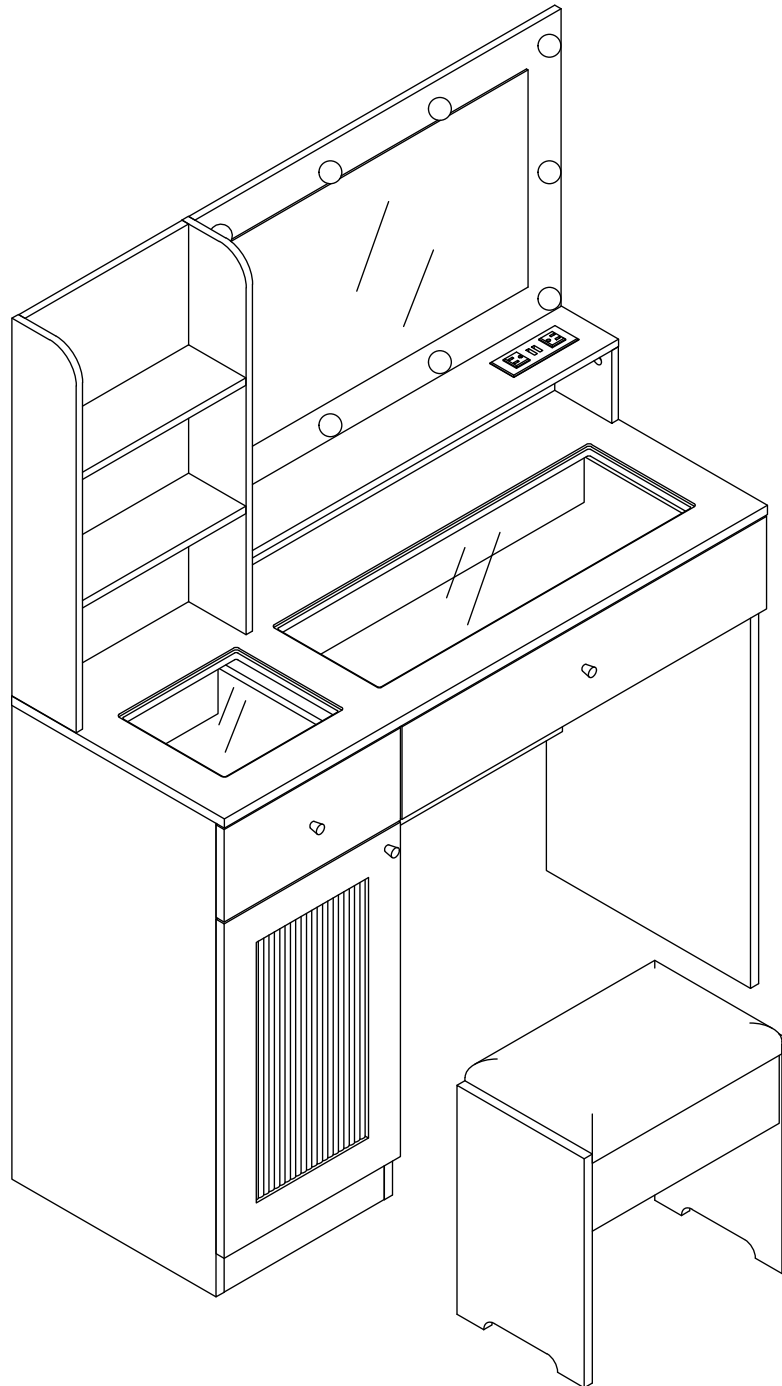
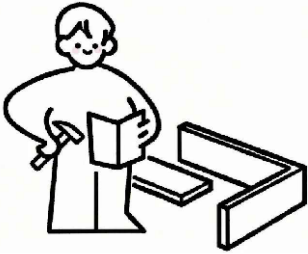


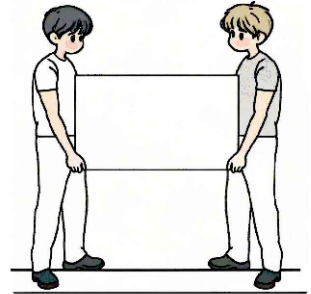
# INSTRUCTION MANUAL





Please read this manual carefully before assembling or using this product. Follow the instructions thoroughly and keep this manual for future reference.

For a faster and easier assembly, work with a partner.



## IMPORTANT INSTALLATION AND MAINTENANCE NOTES

- The furniture is large and heavy, please choose a good placement before installation. After the installation is completed, try not to move it widely. If necessary, more than one person should cooperate to carry it.
- Please note: After the installation is completed, avoid vigorous dragging or using brute force to carry the furniture, as this may cause irreversible damage to the connection points or plates, leading to cracks that affect the functionality and appearance of the product.
- Any product that is assembled using screws should be re-tightened 2 weeks after assembly, and once every 3 months thereafter, to ensure stability throughout the product's lifespan.
- For regular maintenance and cleaning of the product: For the frame, use a rag dipped in neutral detergent to wipe it thoroughly, then dry it with a clean rag. For glass materials, use a rag dampened with a water-based glass cleaner, and then dry it with a dry rag.
- Do not use an electric screwdriver, and avoid using excessive force during installation, as the board is easy to break.

# ANTI-TOPPLE WARNING!

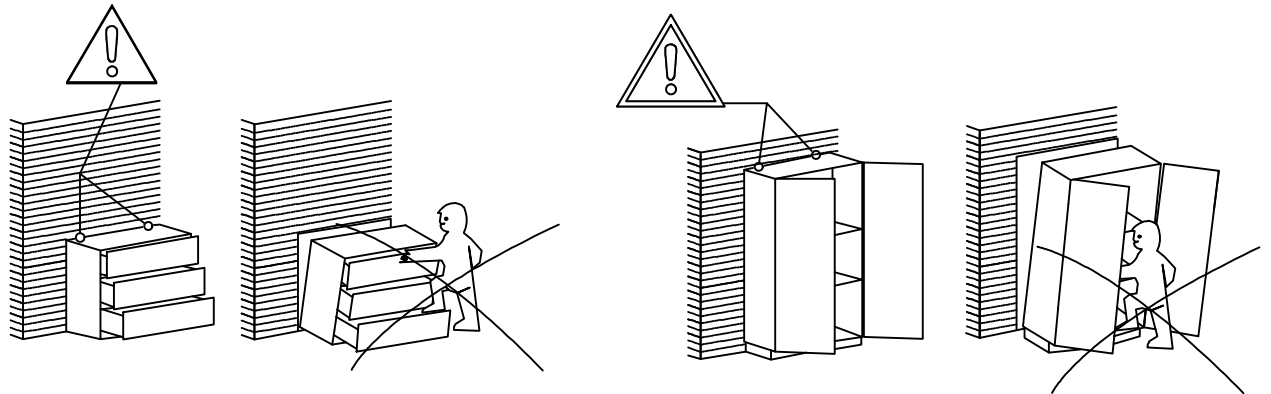
Overtured furniture can cause serious injury or even death.

To prevent tipping over, always secure the furniture to the wall using the provided wall attachment.

If the wall attachment is not included, purchase one that fits your wall type.

If you're unsure, seek professional assistance to ensure correct installation.

Carefully follow each step of the assembly instructions for safe and secure setup.



This product contains small parts, please keep out of reach of children.

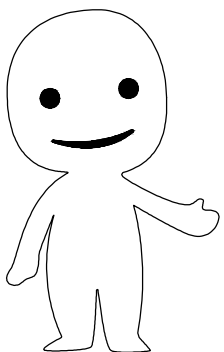
Ce produit contient de petites pièces, s'il vous plaît. À conserver hors de portée des enfants.

Bitte halten Sie kleine Teile außerhalb der Reichweite von Kindern.

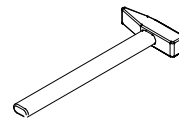
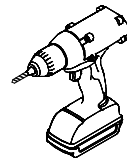
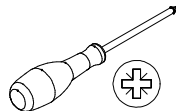
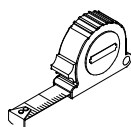
Este producto contiene piezas pequeñas. Mantener fuera del alcance de los niños.

Este produto contém peças pequenas. Por favor, mantenha fora do alcance das crianças.

Questo prodotto contiene piccole parti, si prega di tenere fuori dalla portata dei bambini.



Please prepare the following tools



REAL SIZE - TAILLE RÉELLE - ORIGINALGRÖÖE - TAMAÑO VERDADERO - TAMANHO REAL - DIMENSIONE REALE

In case of doubt, compare the hardware with the full-size images below.

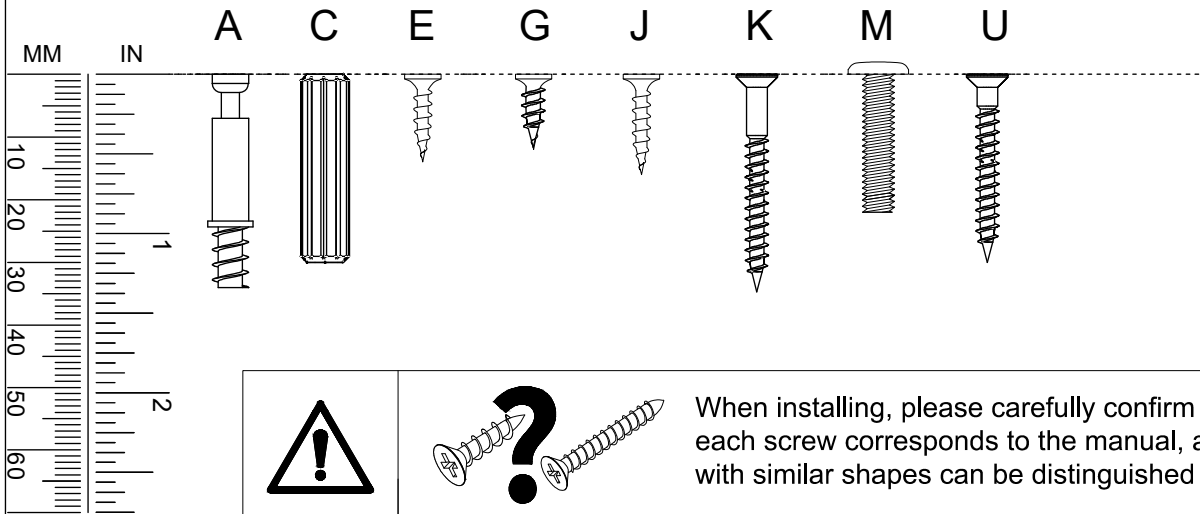
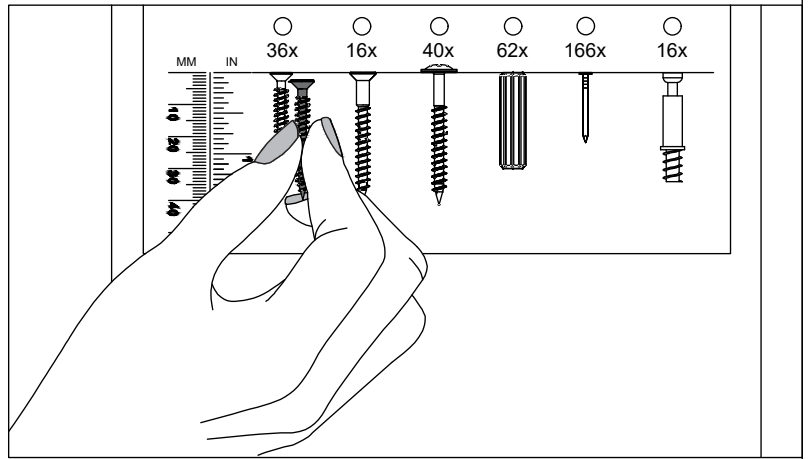
En cas de doute, veuillez comparer le matériel avec les images en taille réelle ci-dessous.

Vergleichen Sie im Zweifelsfall die Schrauben mit den Abbildungen in Originalgröße.

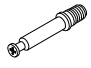

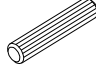
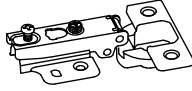

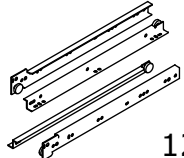

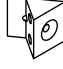




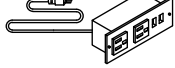

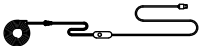




En caso de dudas, compare las herrajes con las imágenes a seguir en tamaño real.

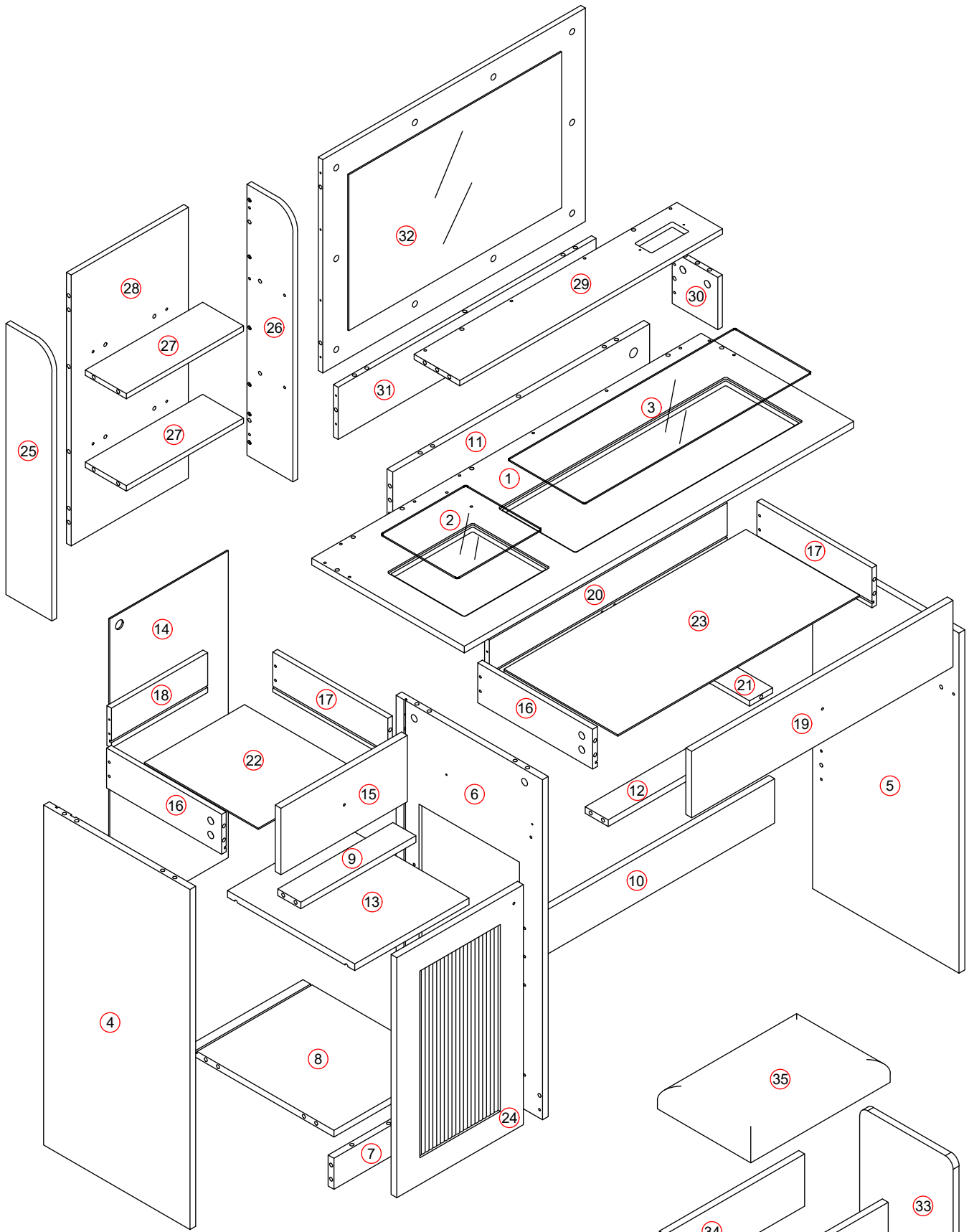
Em caso de dúvida, compare as ferragens com as imagens abaixo em tamanho real.

In caso di dubbio, confronta le ferramenta con le immagini sottostanti a grandezza reale.



When installing, please carefully confirm whether each screw corresponds to the manual, accessories with similar shapes can be distinguished by size

<b>A</b> x 66  Ø6 x 34mm	<b>B</b> x 66  Ø15 x 9.5mm	<b>C</b> x 54  Ø8 x 30mm	<b>D</b> x 2  Ø3.5 x 14mm	<b>E</b> x 25  Ø3.5 x 14mm
<b>F</b> x 2  12"	<b>G</b> x 16  Ø3.5 x 12mm	<b>H</b> x 6  14 x 13 x 10 mm	<b>J</b> x 6  Ø3x 16mm	<b>K</b> x 27  Ø4x 35mm
<b>L</b> x 3 	<b>M</b> x 3 	<b>N</b> x 1 	<b>P</b> x 1 	<b>Q</b> x 1 
<b>R</b> x 10 	<b>S</b> x 4 	<b>T</b> x 4 	<b>U</b> x 10  Ø4x 30mm	

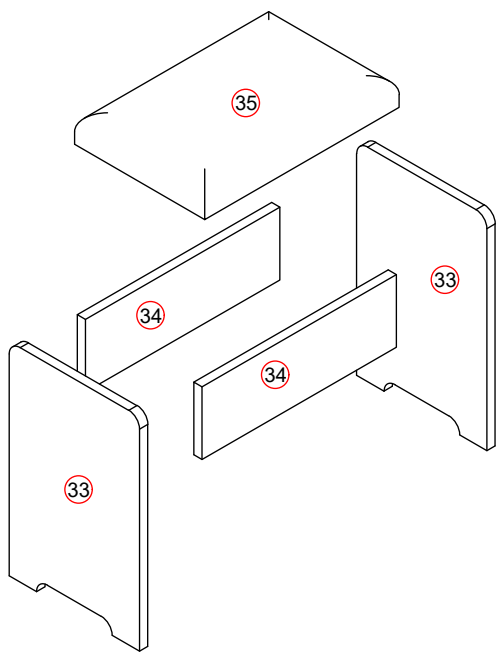


**! WARNING**

Children have died from furniture tipover. To reduce the risk of furniture tipover:

- ALWAYS instal tipover restraint provided.
- NEVER put a TV on this product.
- NEVER allow children to stand, climb or hang on drawers, doors, or shelves.
- NEVER open more than one drawer at a time.
- Place heaviest items in the lowest drawers.

This is a permanent label. Do not remove!



# ATTENTION - AVERTISSEMENT - ACHTUNG - ATENCIÓN - ATENÇÃO - ATTENZIONE

Assemble the furniture on a clean and flat surface and cover it with the cardboard of the packaging.

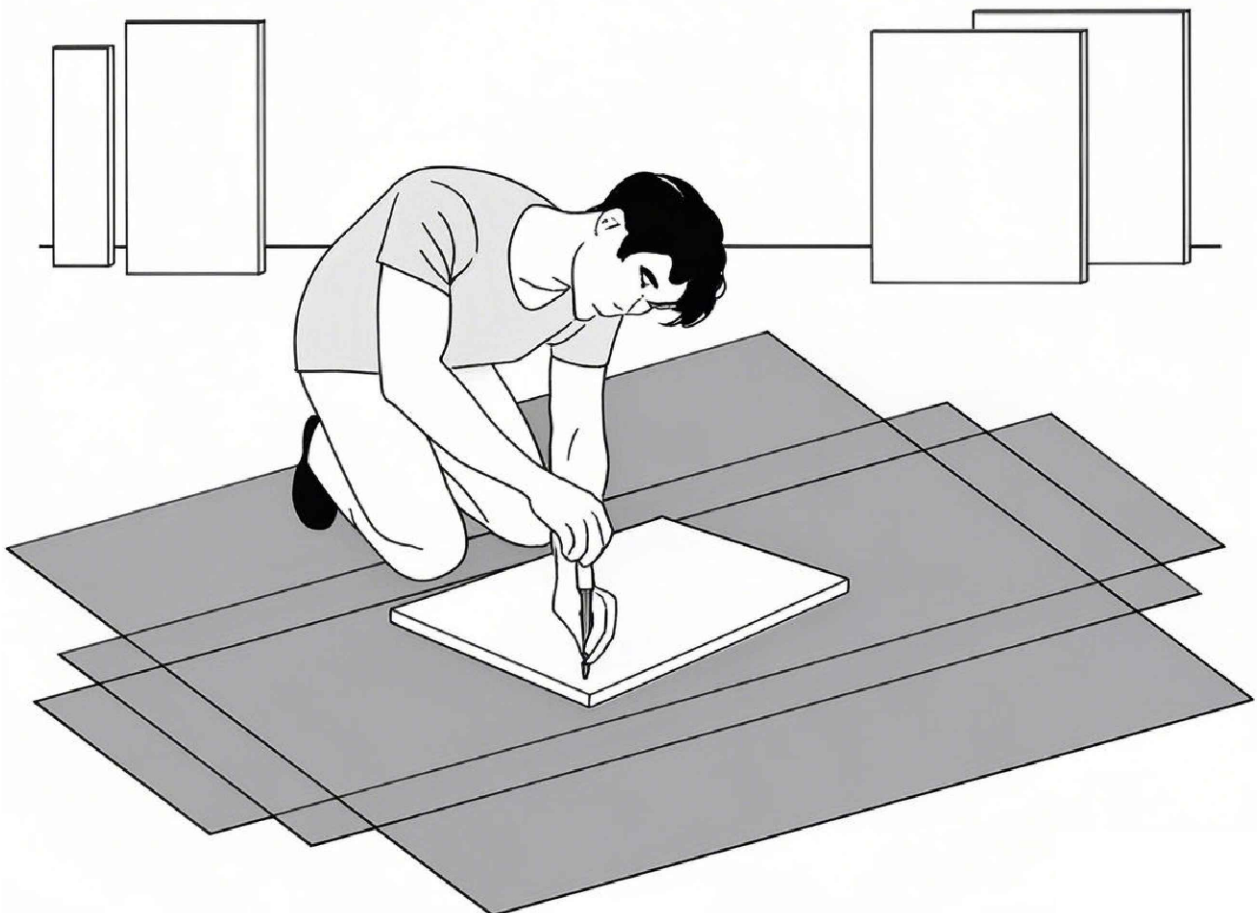
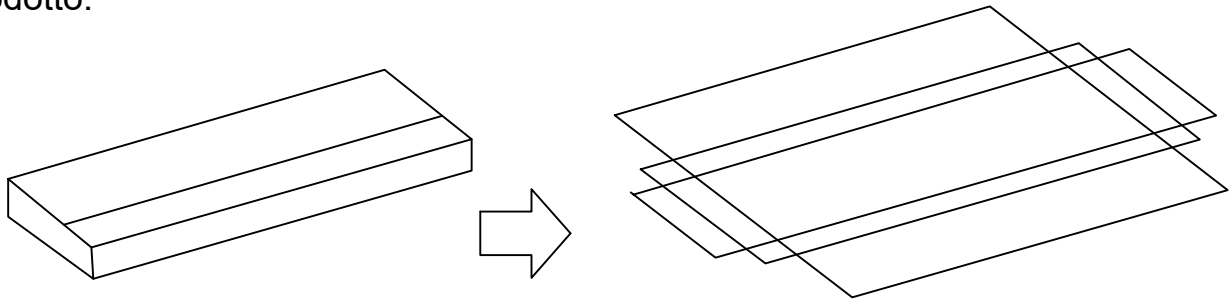
Assemblez le meuble sur une surface propre et plane et couvrez-le avec le carton de l'emballage du produit.

Um Beschädigungen zu vermeiden, montieren Sie den Artikel auf einer weichen, sauberen Unterlage. Tipp: Legen Sie den Artikel auf dem Verpackungskarton.

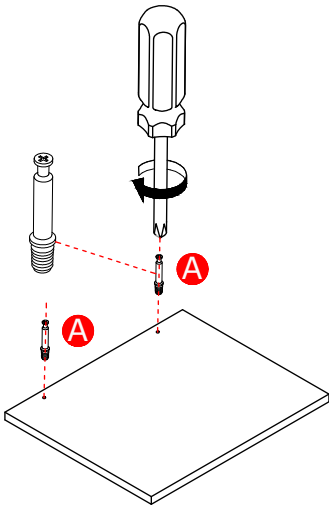
Montar el mueble sobre una superficie limpia y plana y cubrirlo con el cartón del embalaje del producto.

Montar o móvel sobre uma superfície limpa e plana e forrá-la com o papelão da embalagem do produto.

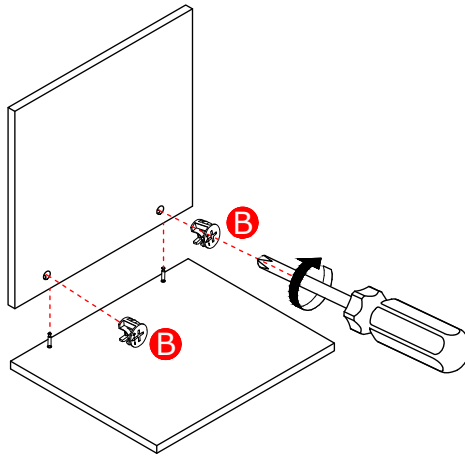
Montare il mobile su una superficie pulita e piana e rivestirla con il cartone d'imballaggio del prodotto.



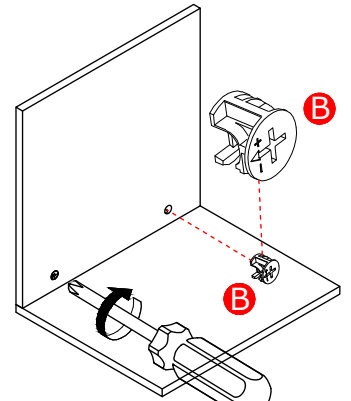
Use parts **A** and **B**



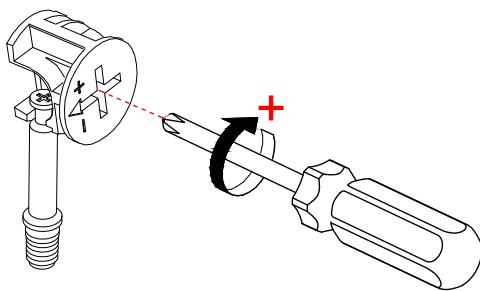
Step1



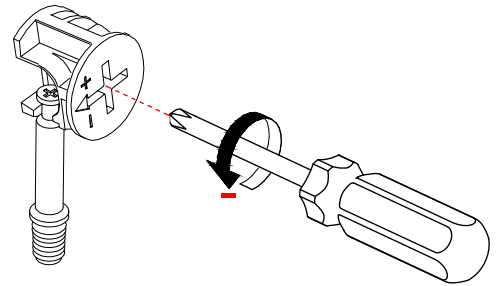
Step2



Step3

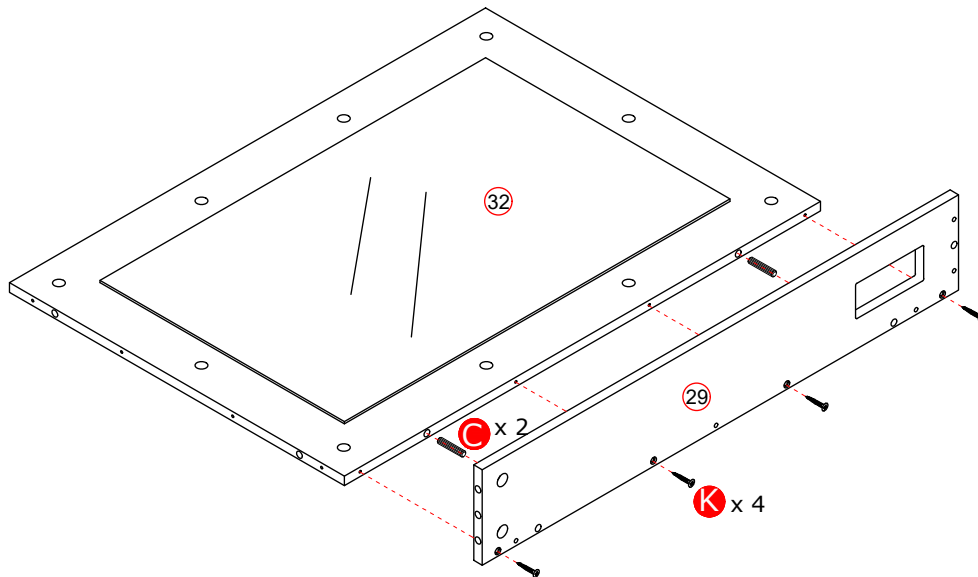
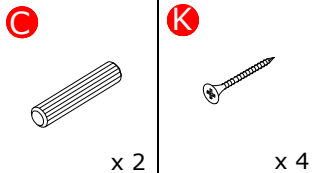


Use a screwdriver to lock in the direction of the "+" sign



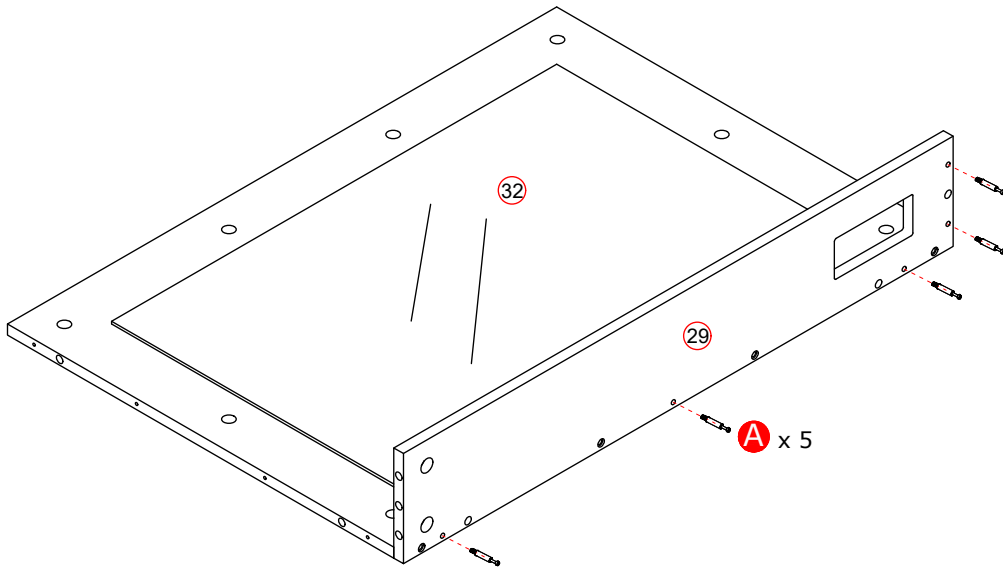
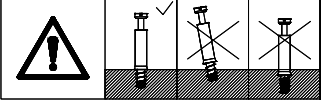
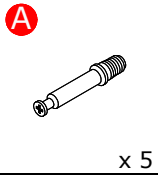
Disassemble along the direction of "-" sign

**1**



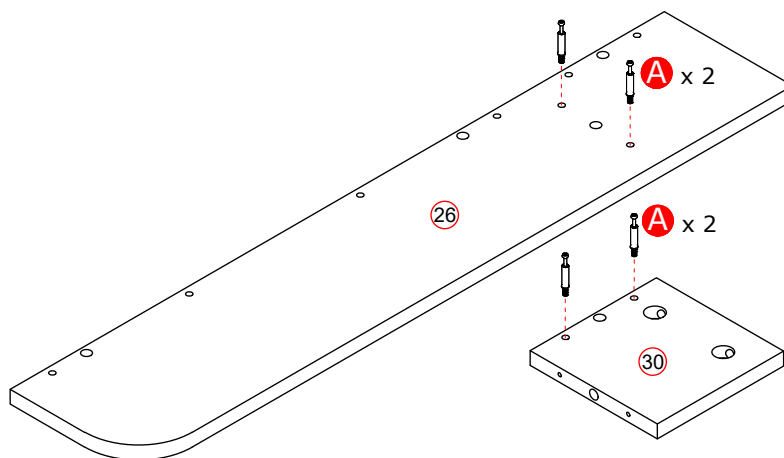
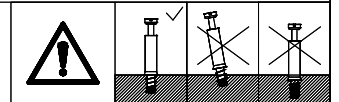
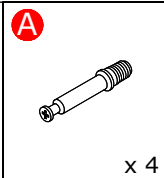
As shown in the picture, Insert the wooden dowel (C) into one side of plate 32 . Connect plate 32 to plate 29, use screws (K) to connect parts 32 with part 29.

# 2



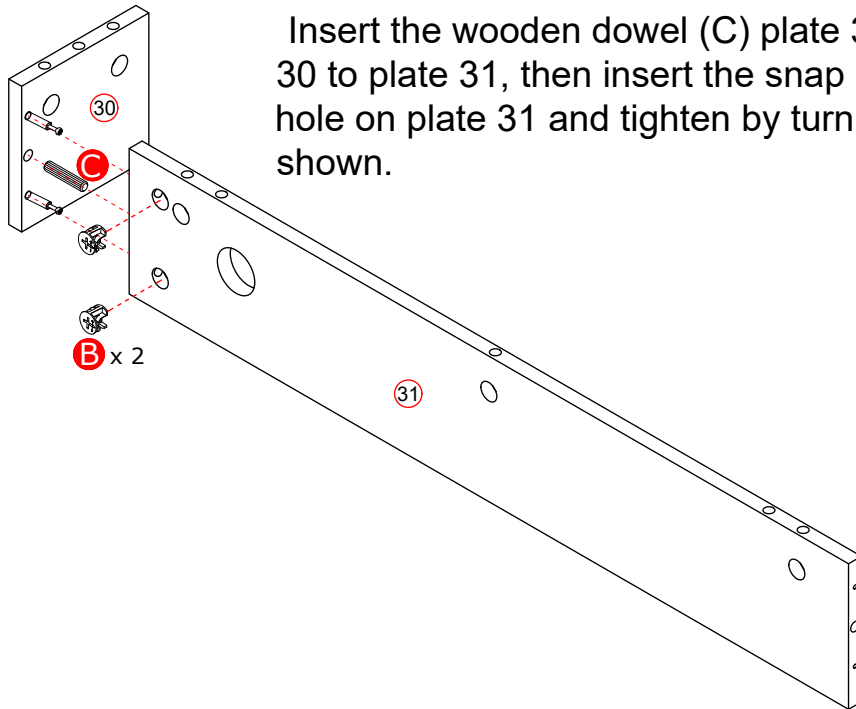
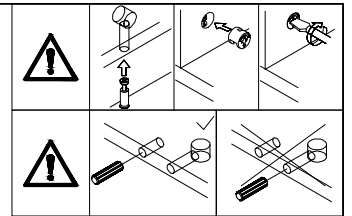
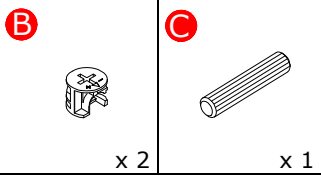
Tighten the screws(A) into the corresponding holes in parts 29, ensuring they are locked vertically.

# 3



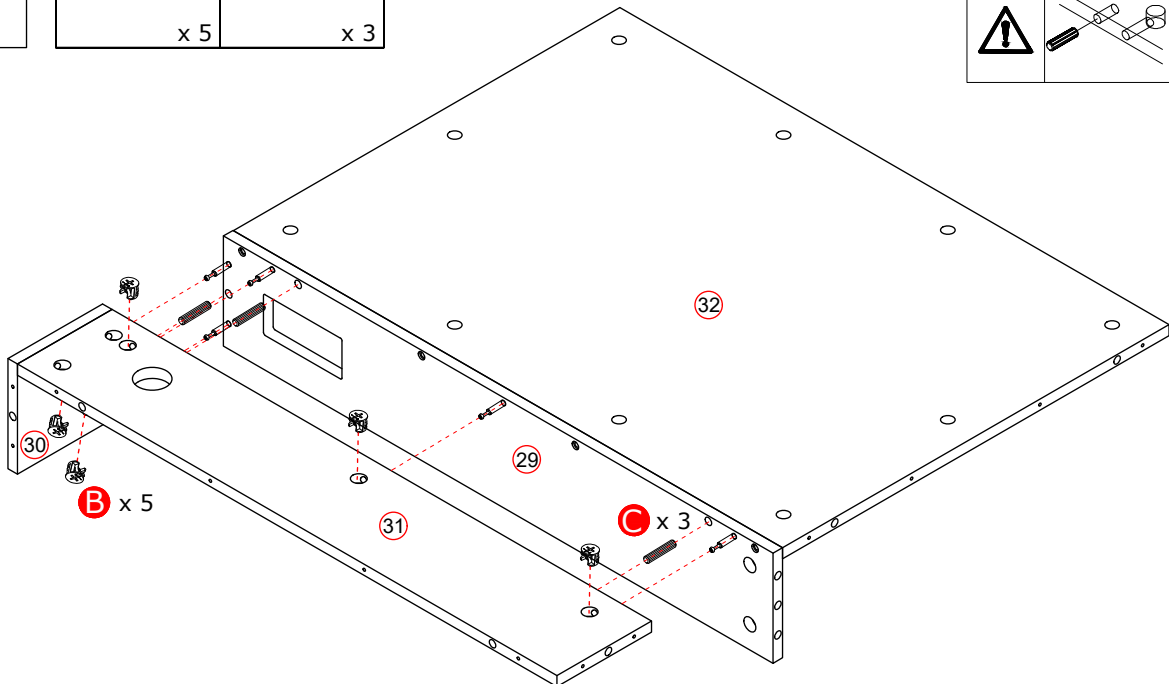
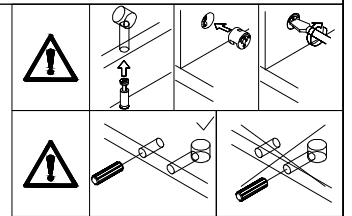
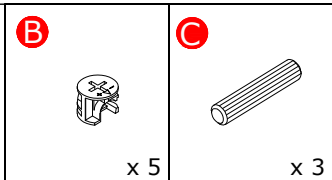
Tighten the screws(A) into the corresponding holes in parts 26 & 30, ensuring they are locked vertically.

# 4



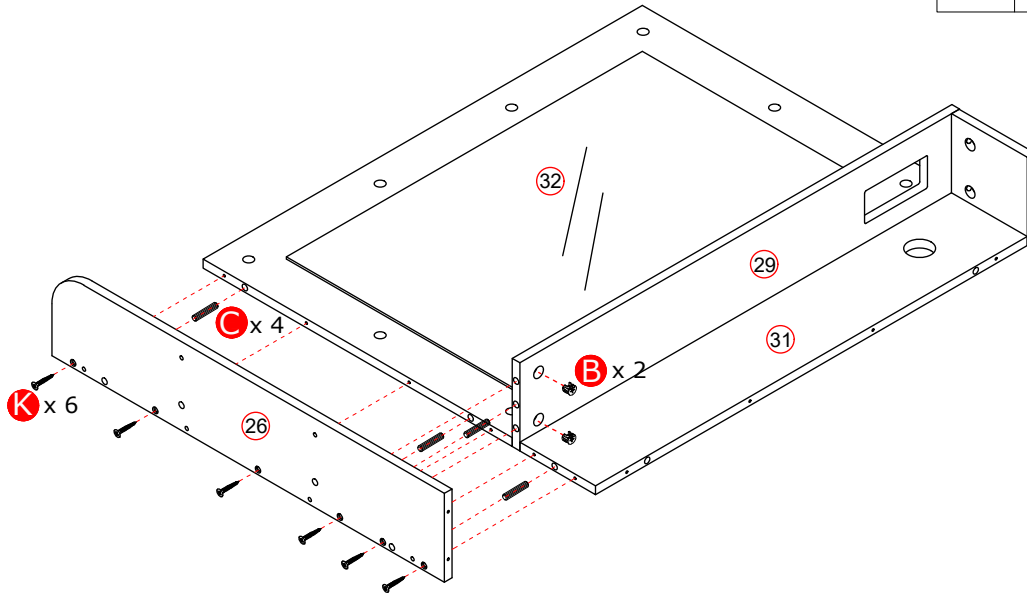
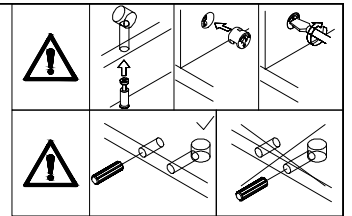
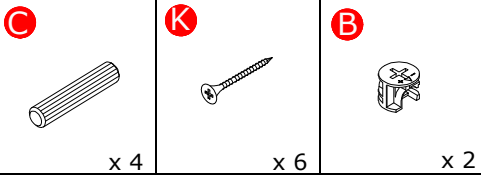
Insert the wooden dowel (C) plate 31. Connect plate 30 to plate 31, then insert the snap lock (B) into the hole on plate 31 and tighten by turning clockwise as shown.

# 5



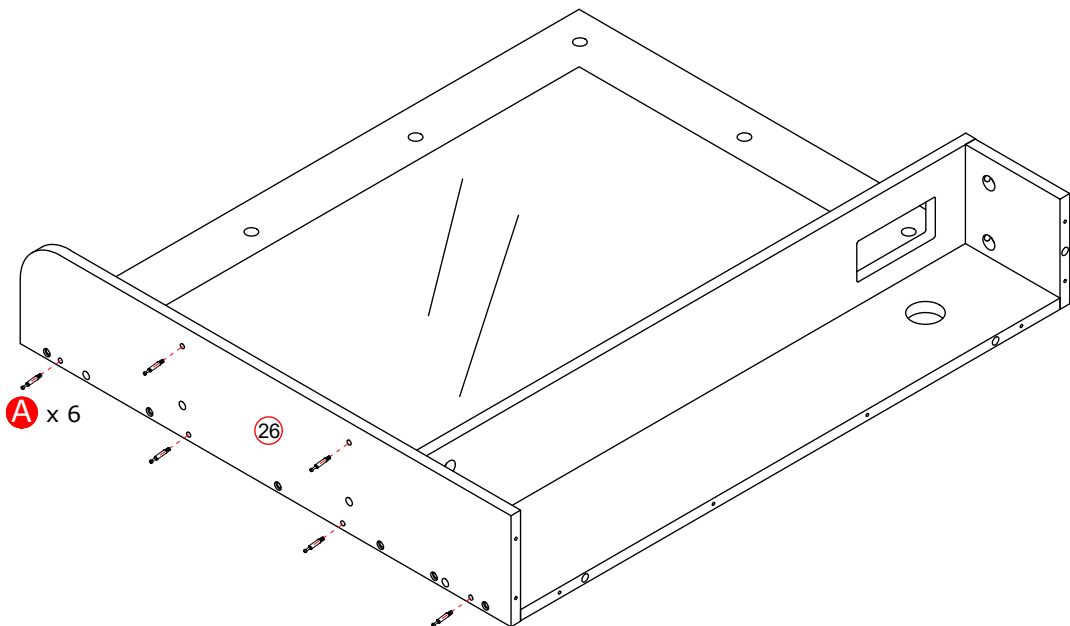
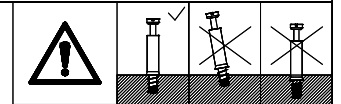
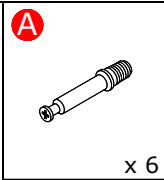
Insert the wooden dowel (C) plate 30 & 31. Connect plate 30 & 31 to plate 29, then insert the snap lock (B) into the hole on plate 30 and 31 and tighten by turning clockwise as shown.

# 6



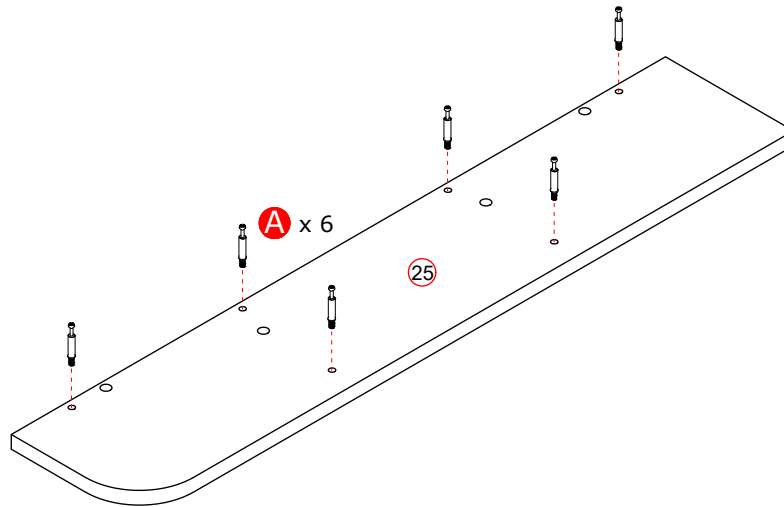
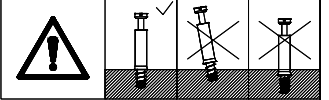
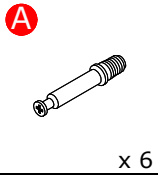
As shown in the picture, Insert the wooden dowel (C) into one side of plate 29 & 31 & 32 . Connect plate 29 & 31 & 32 to plate 26, use screws (K) to connect parts 26 with part 31 & 32 .then insert the snap lock (B) into the hole on plate 29 and tighten by turning clockwise as shown.

# 7



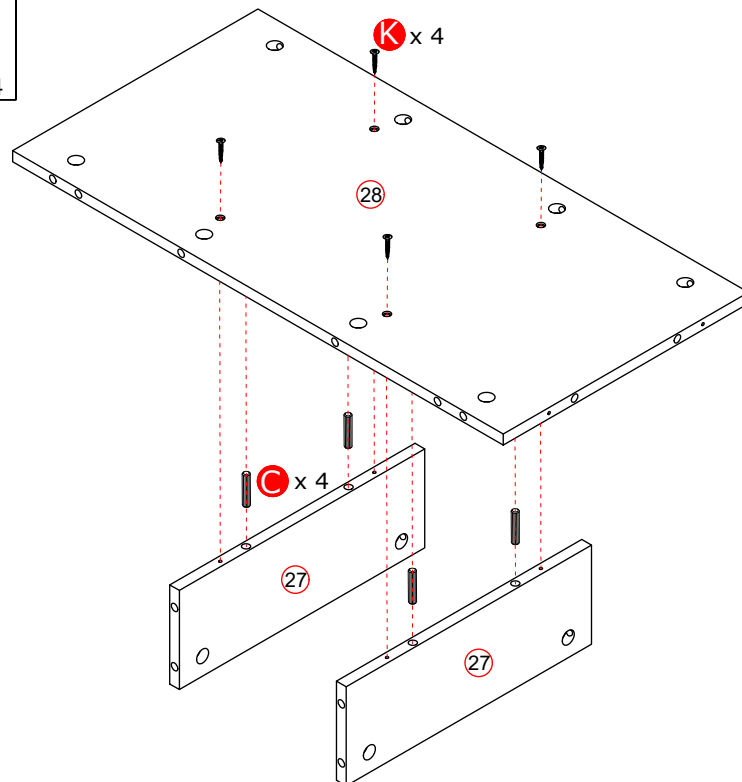
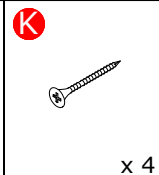
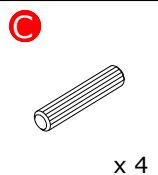
Tighten the screws(A) into the corresponding holes in parts 26, ensuring they are locked vertically.

# 8



Tighten the screws(A) into the corresponding holes in parts 25, ensuring they are locked vertically.

# 9



Insert the wooden dowel (C) plate 27. Connect plate 27 to plate 28.

As shown in the figure, reinforce the connection between parts 28 and part 27 with screws (K)

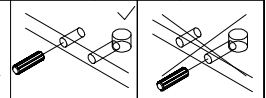
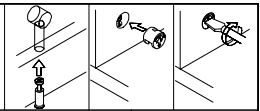
# 10

**C**

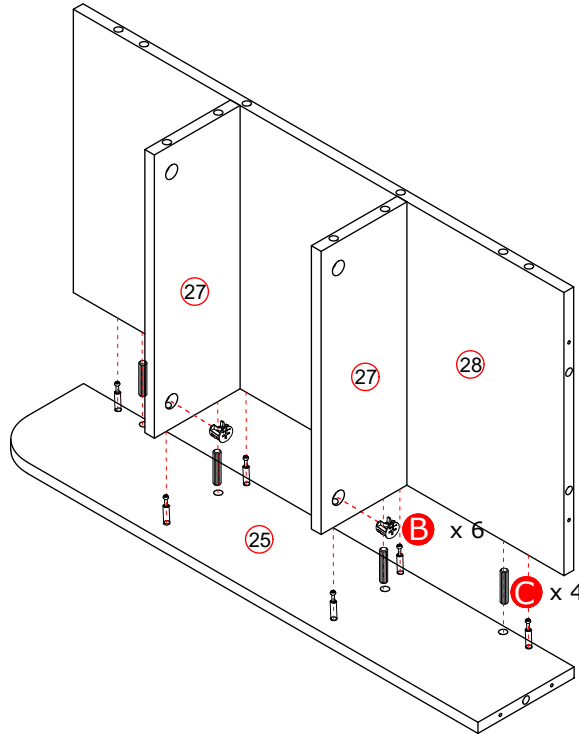
x 4

**B**

x 6



Insert the wooden dowel (C) plate 27 & 28. Connect plate 27 & 28 to plate 25, then insert the snap lock (B) into the hole on plate 27 & 28 and tighten by turning clockwise as shown.



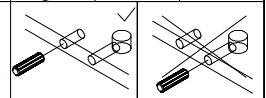
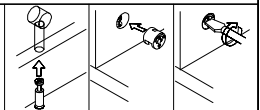
# 11

**C**

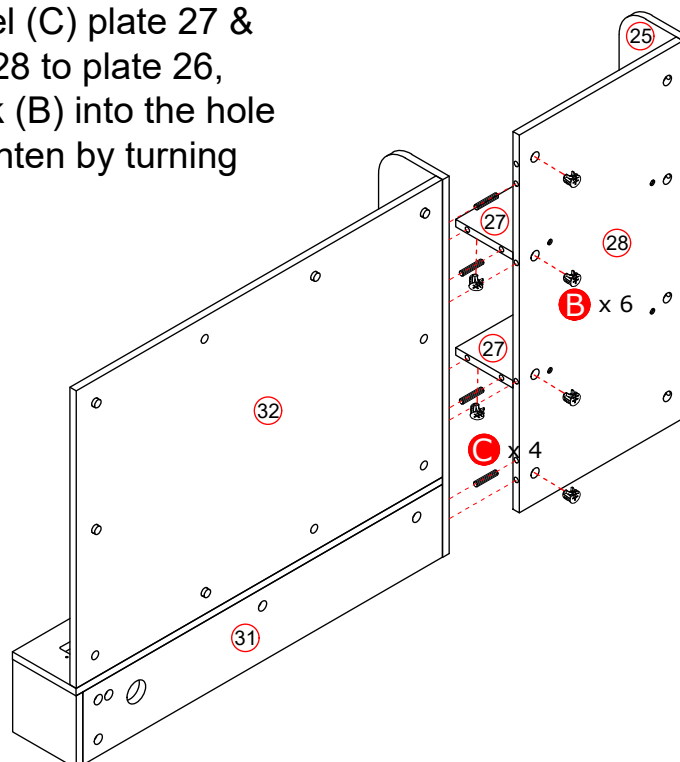
x 4

**B**

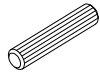
x 6



Insert the wooden dowel (C) plate 27 & 28. Connect plate 27 & 28 to plate 26, then insert the snap lock (B) into the hole on plate 27 & 28 and tighten by turning clockwise as shown.



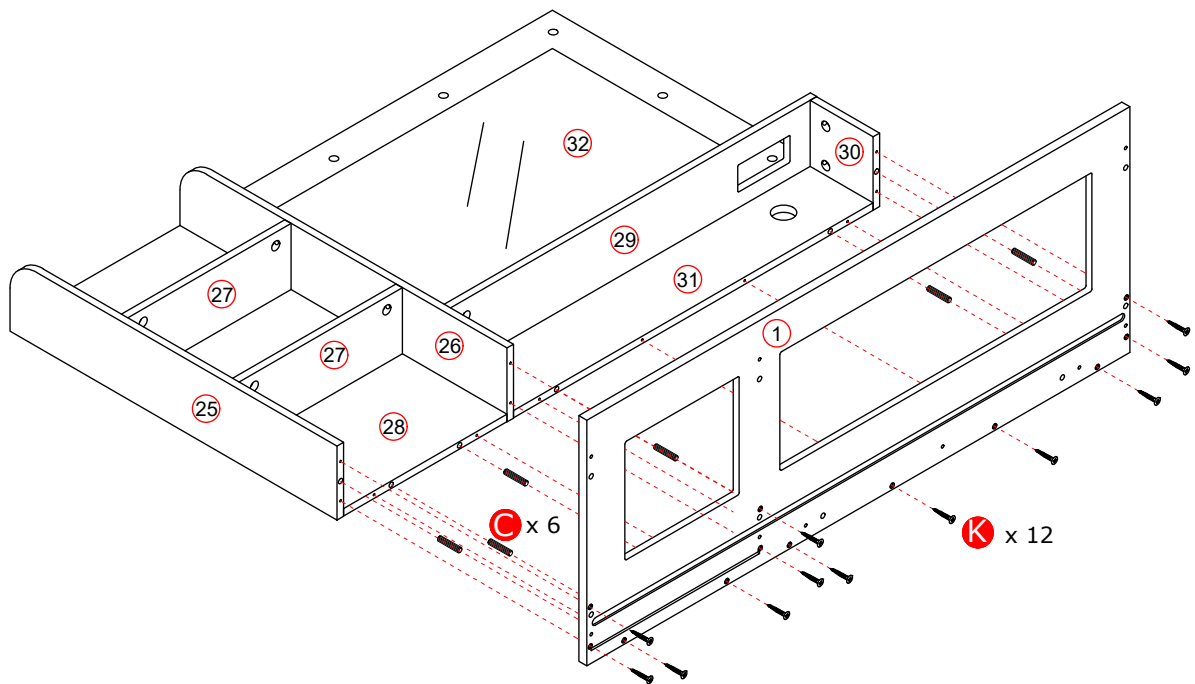
# 12

**C**

x 6

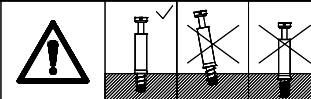
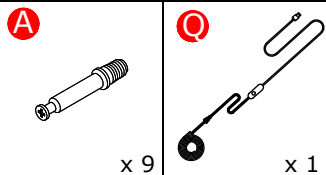
**K**

x 12

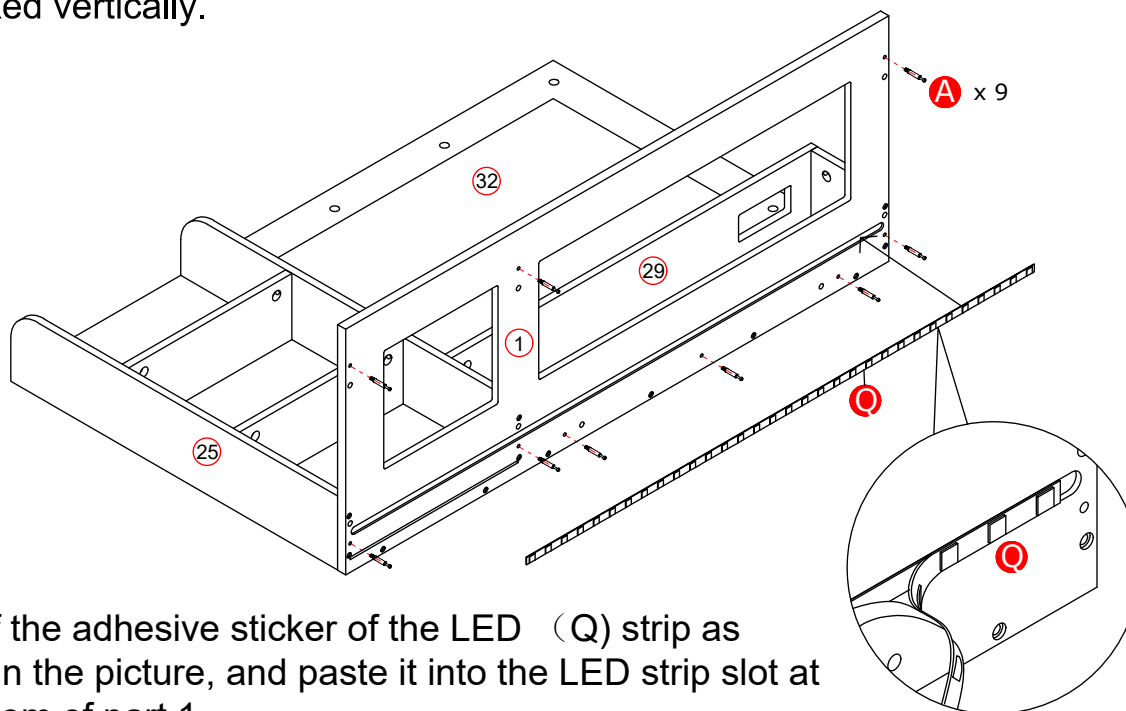


As shown in the picture, Insert the wooden dowel (C) into one side of plate 25 & 28 & 30 & 31 . Connect plate 25 & 26 & 28 & 30 & 31 to plate 1, use screws (K) to connect parts 25 & 26 & 28 & 30 & 31 with part 1.

# 13

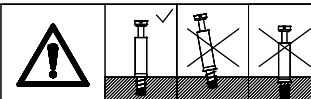
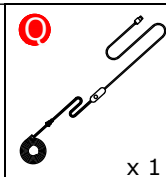


Tighten the screws(A) into the corresponding holes in parts 1, ensuring they are locked vertically.

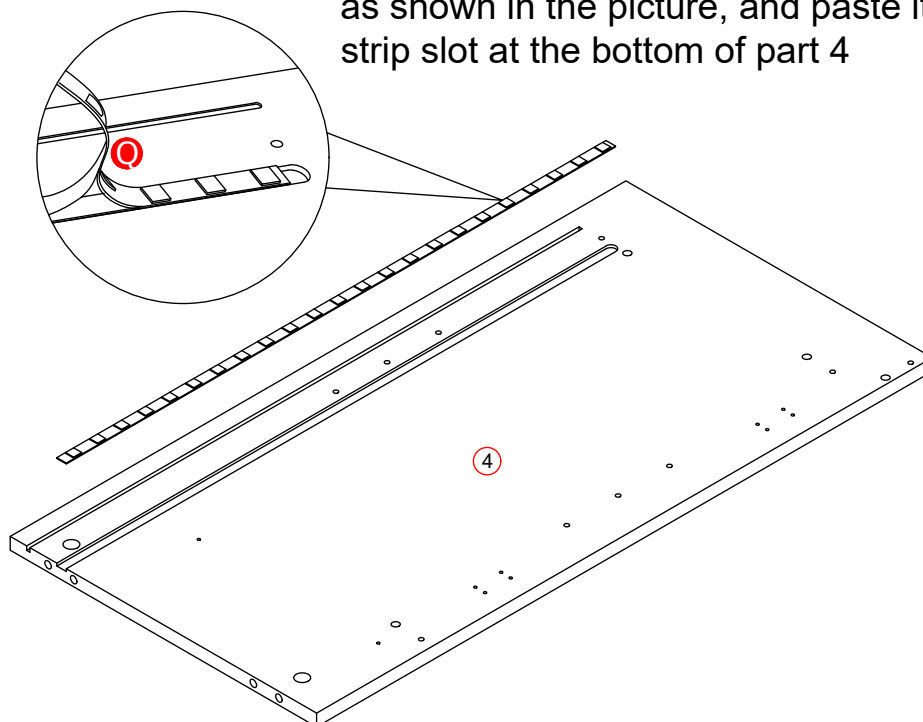


Peel off the adhesive sticker of the LED (Q) strip as shown in the picture, and paste it into the LED strip slot at the bottom of part 1

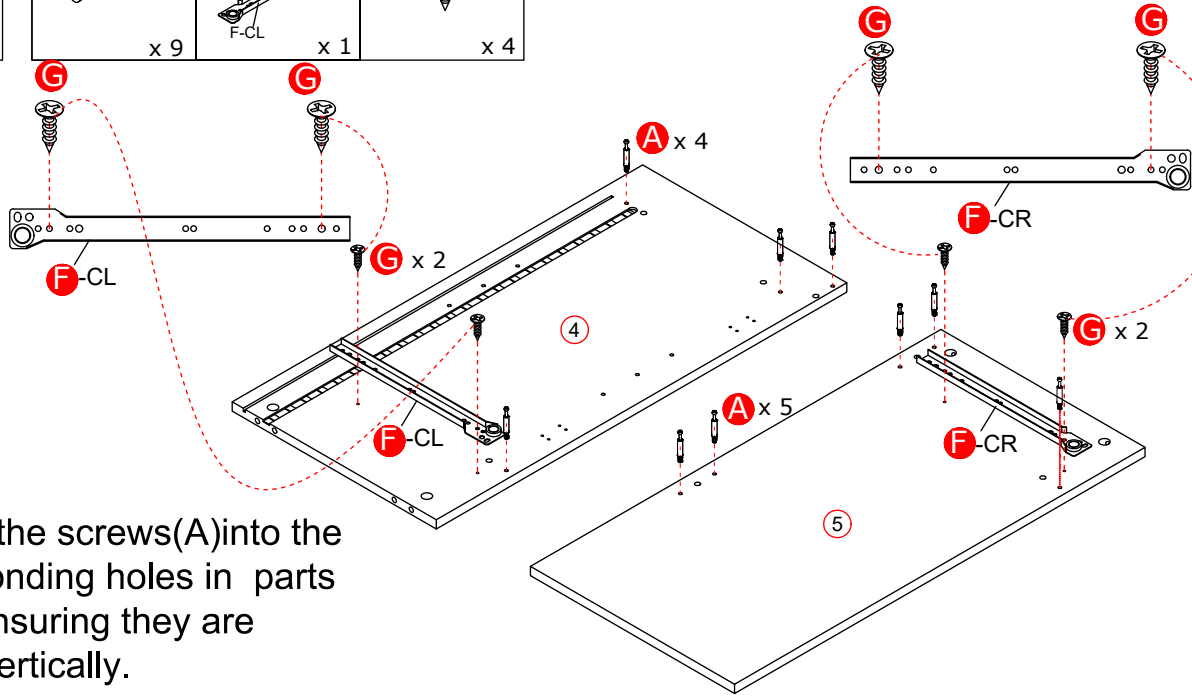
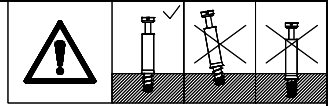
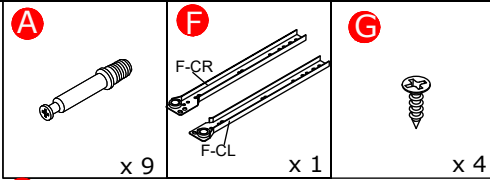
# 14



Peel off the adhesive sticker of the LED (Q) strip as shown in the picture, and paste it into the LED strip slot at the bottom of part 4



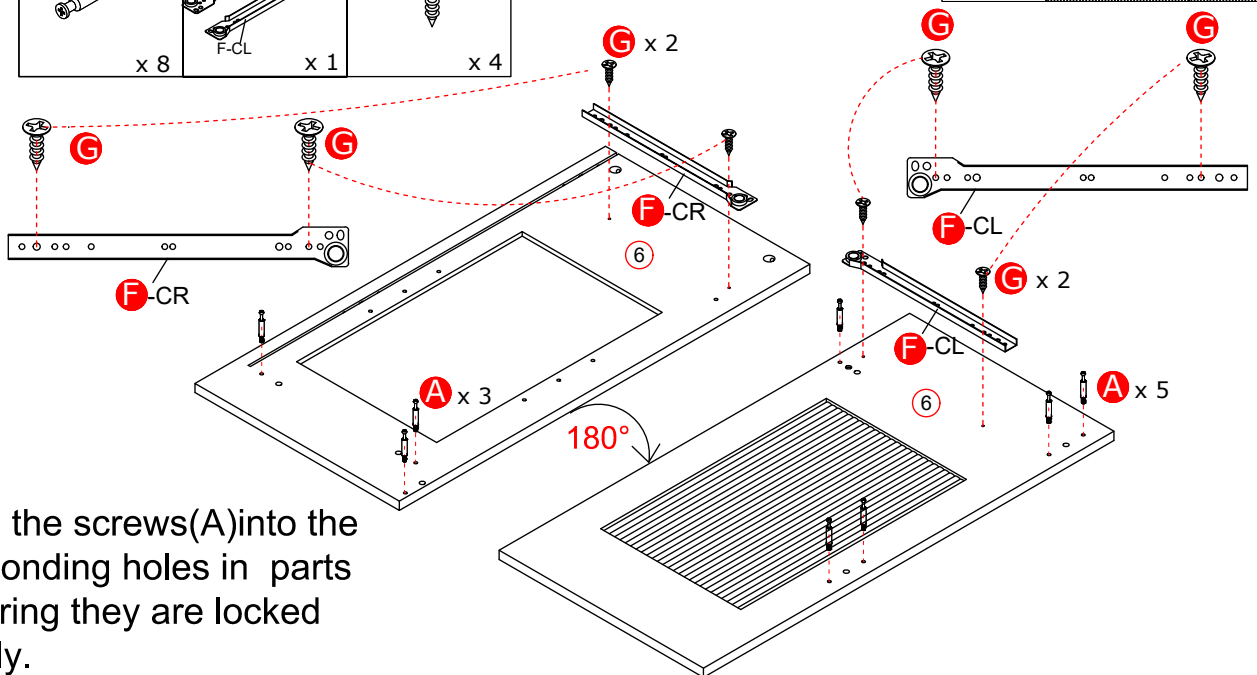
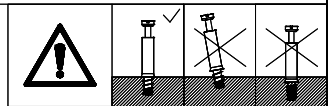
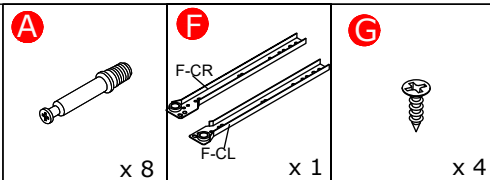
# 15



Tighten the screws(A)into the corresponding holes in parts 4 & 5, ensuring they are locked vertically.

Referring to the illustration, install the drawer slide (F-CL) on part 4 and screw (G) into the corresponding holes of the slide (F-CL) according to the hole position example drawing; install the drawer slide (F-CR) on part 5 and screw (G) into the corresponding holes of the slide (F-CR) according to the hole position example drawing. Check the corresponding part number holes in the illustration.

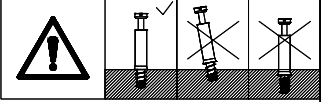
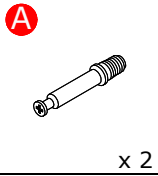
# 16



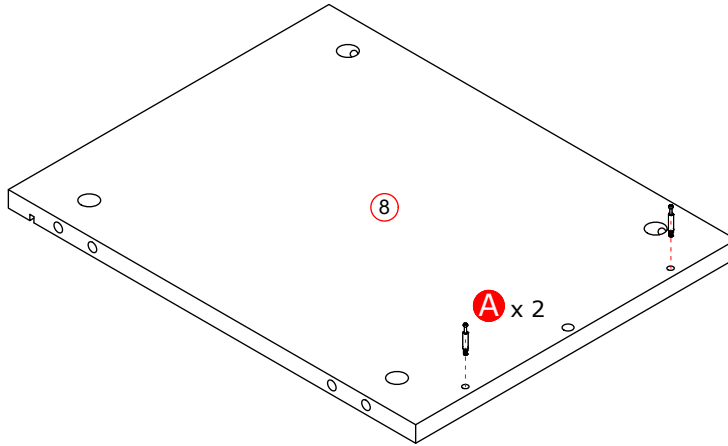
Tighten the screws(A)into the corresponding holes in parts 6, ensuring they are locked vertically.

Referring to the illustration, install the drawer guide rail on part 6, and screws (G) into the corresponding holes of the slide rail(F-CR) according to the hole position example diagram, then flip the surface and fasten the screws (G) into the corresponding holes of the slide rail (F-CL). check the corresponding part number and hole position in the illustration.

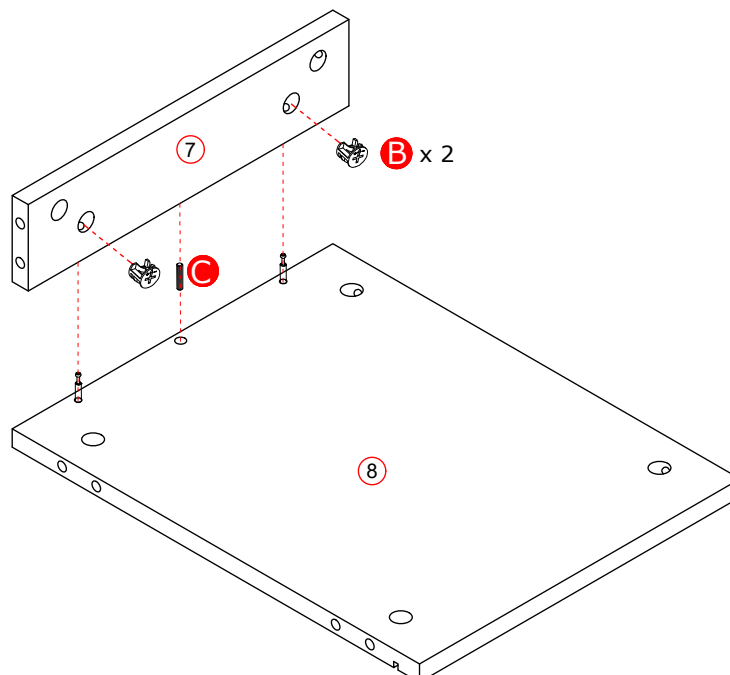
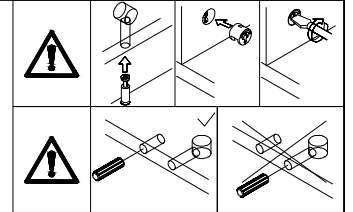
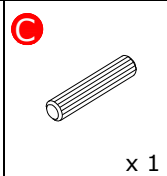
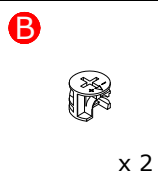
# 17



Tighten the screws(A)into the corresponding holes in parts 8, ensuring they are locked vertically.

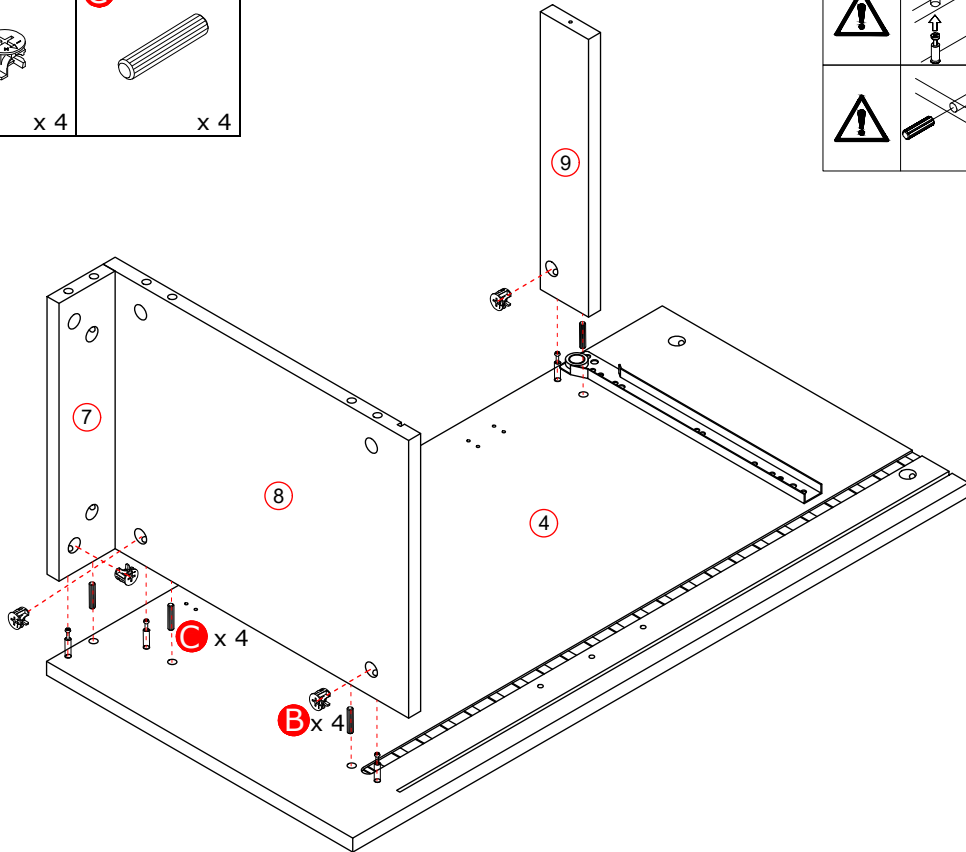
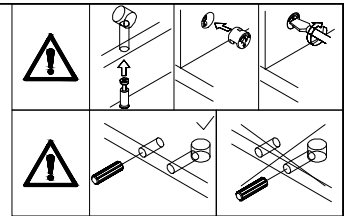
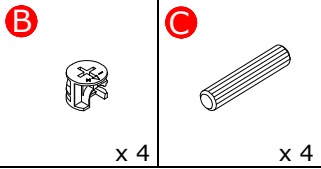


# 18



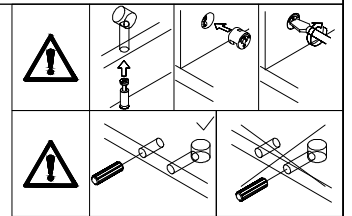
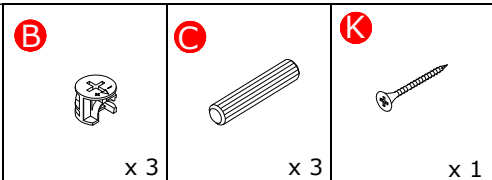
Insert the wooden dowel (C) plate 7. Connect plate 7 to plate 8, then insert the snap lock (B) into the hole on plate 7 and tighten by turning clockwise as shown.

# 19

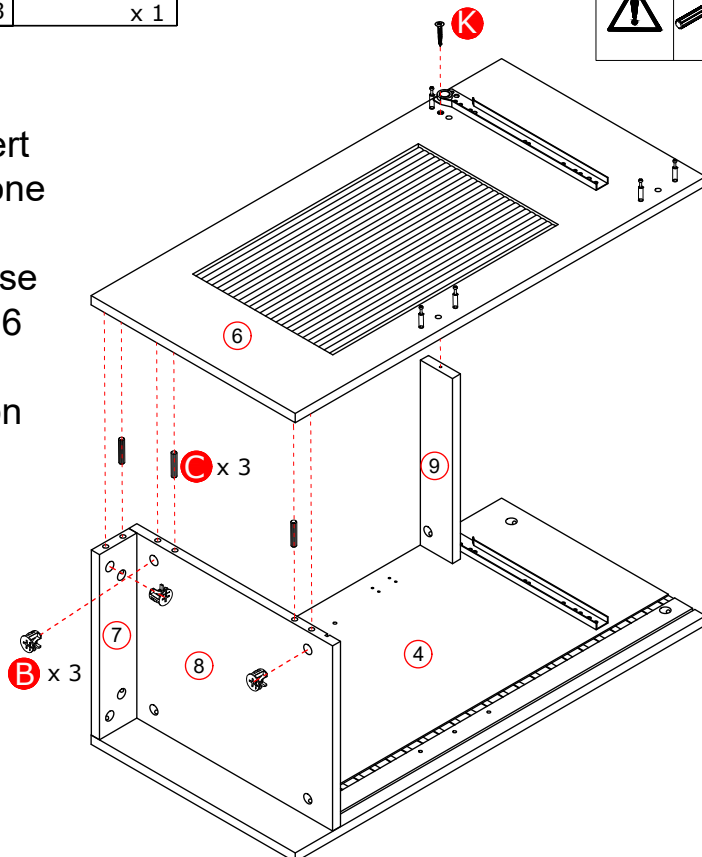


Insert the wooden dowel (C) plate 7 & 8 & 9. Connect plate 7 & 8 & 9 to plate 4, then insert the snap lock (B) into the hole on plate 7 & 8 & 9 and tighten by turning clockwise as shown.

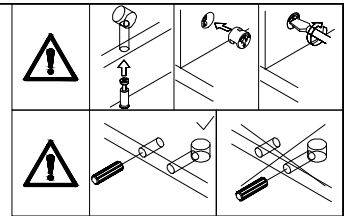
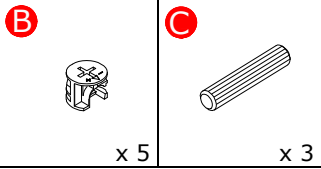
# 20



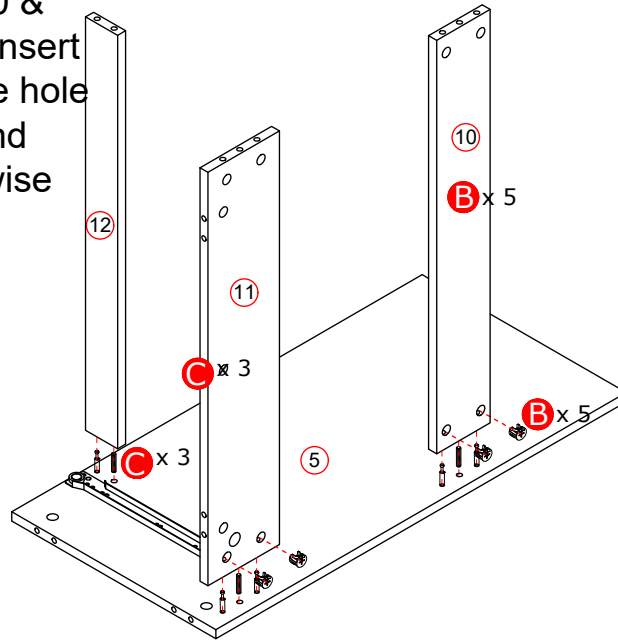
As shown in the picture, Insert the wooden dowel (C) into one side of plate 7 & 8. Connect plate 7 & 8 & 9 to plate 6, use screws (K) to connect parts 6 with part 9. then insert the snap lock (B) into the hole on plate 7 & 8 and tighten by turning clockwise as shown.



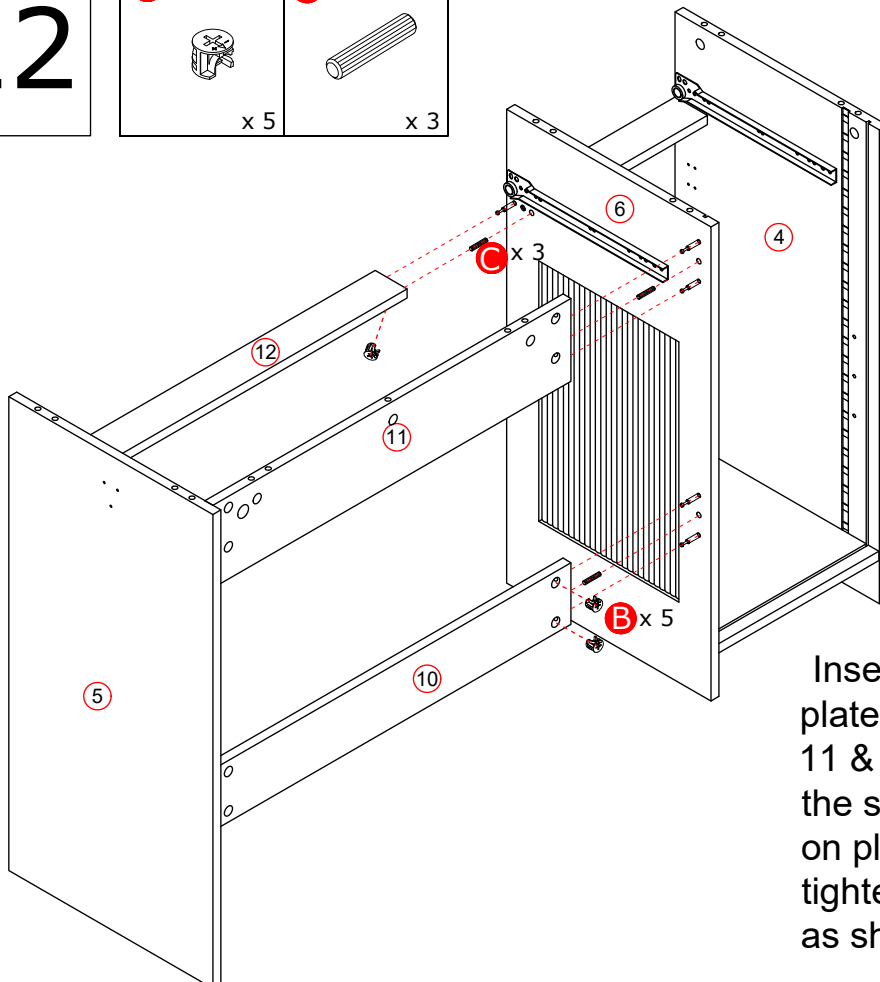
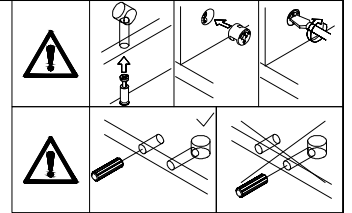
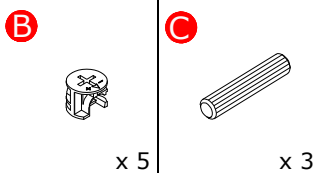
# 21



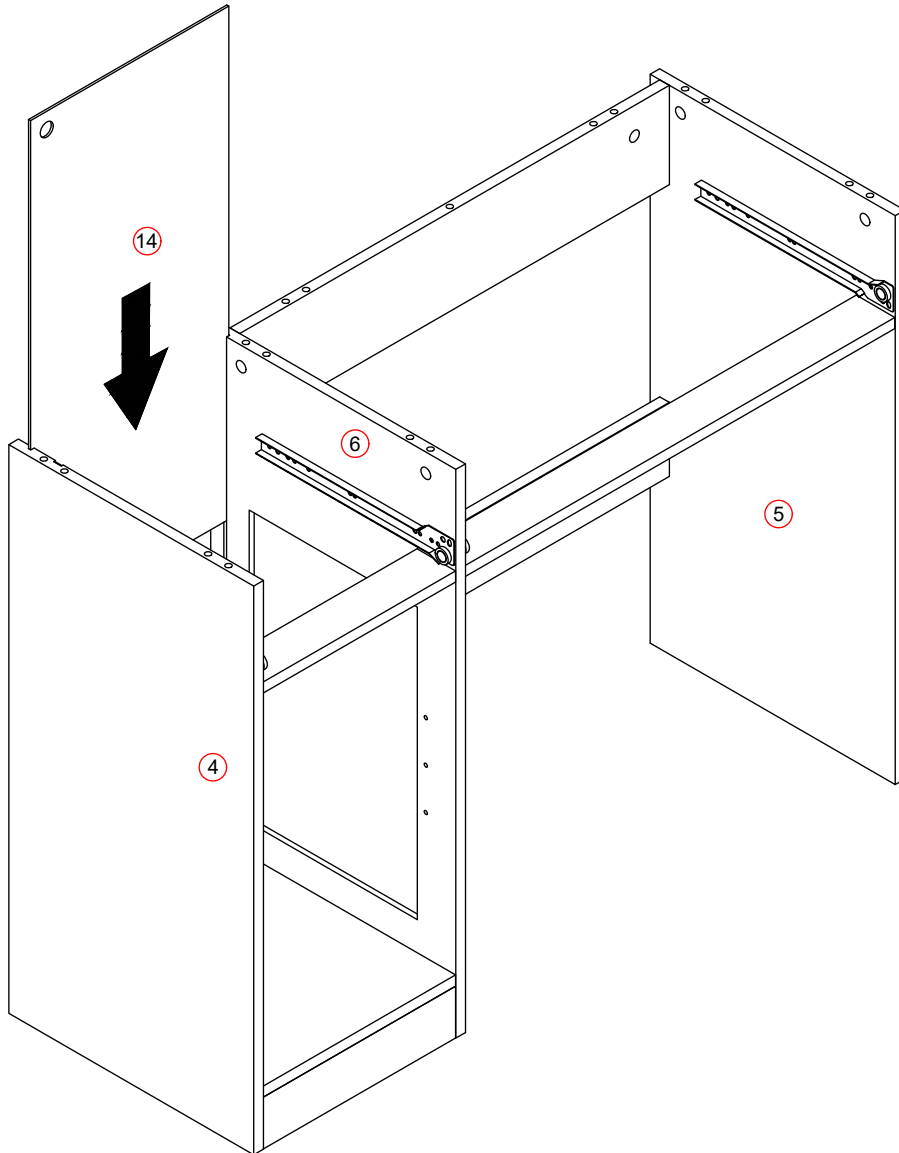
Insert the wooden dowel (C) plate 5. Connect plate 10 & 11 & 12 to plate 5, then insert the snap lock (B) into the hole on plate 10 & 11 & 12 and tighten by turning clockwise as shown.



# 22



Insert the wooden dowel (C) plate 6. Connect plate 10 & 11 & 12 to plate 6, then insert the snap lock (B) into the hole on plate 10 & 11 & 12 and tighten by turning clockwise as shown.



As shown in the picture, Slide Back plate 14 along available grooves.

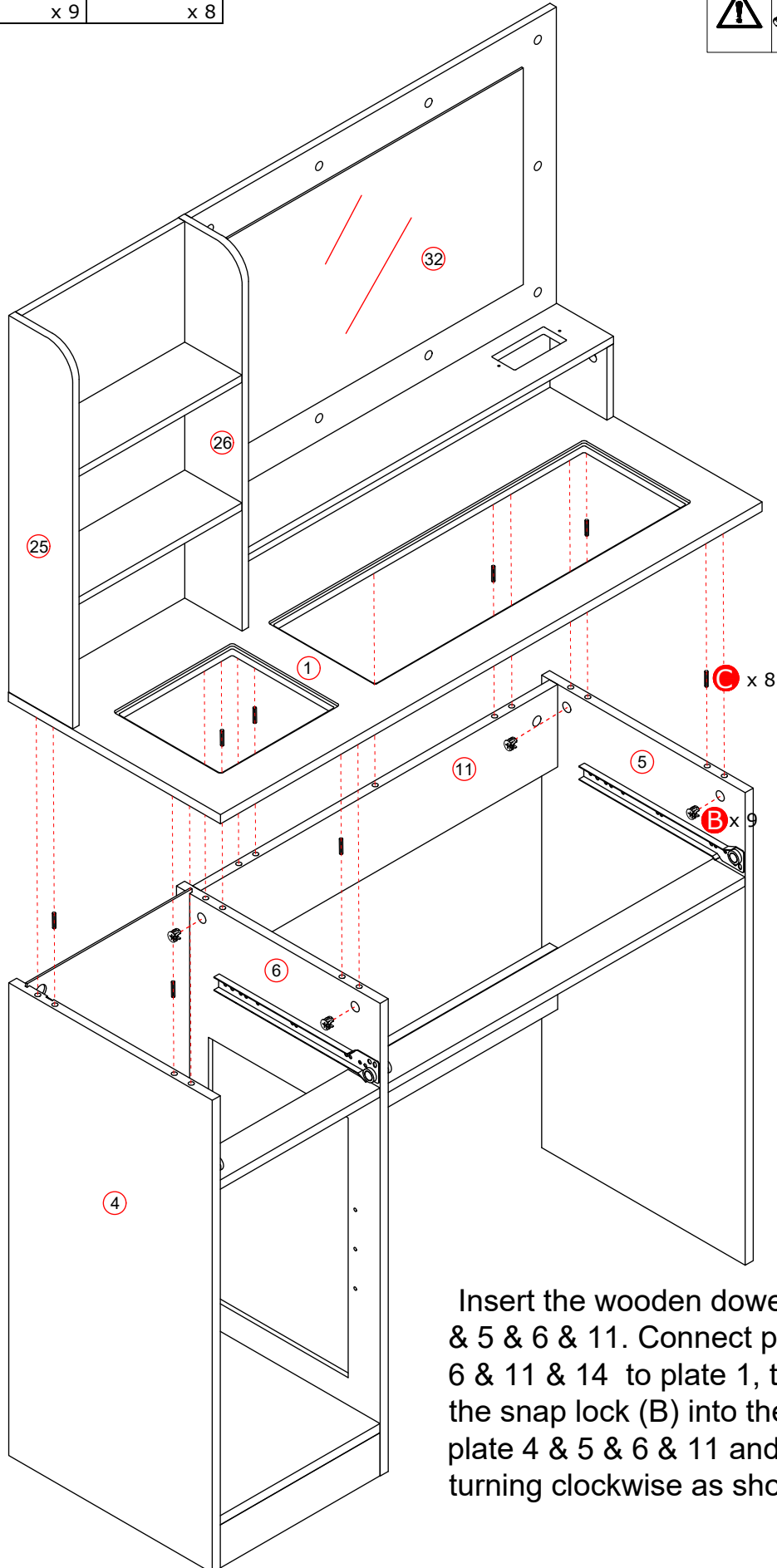
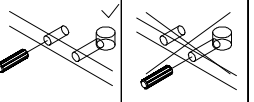
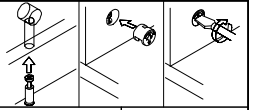
# 24

**B**

x 9

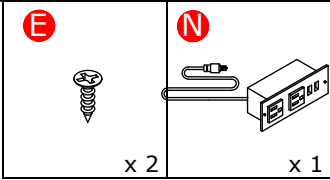
**C**

x 8

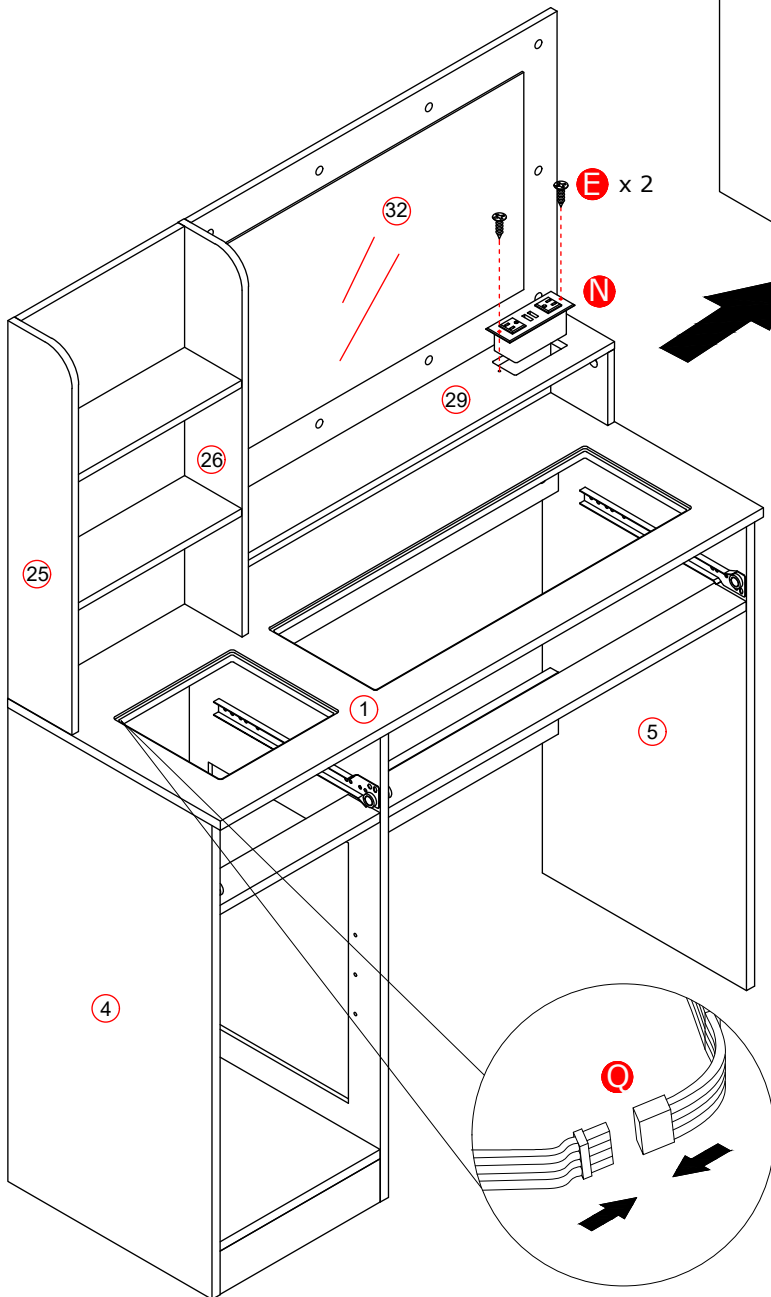
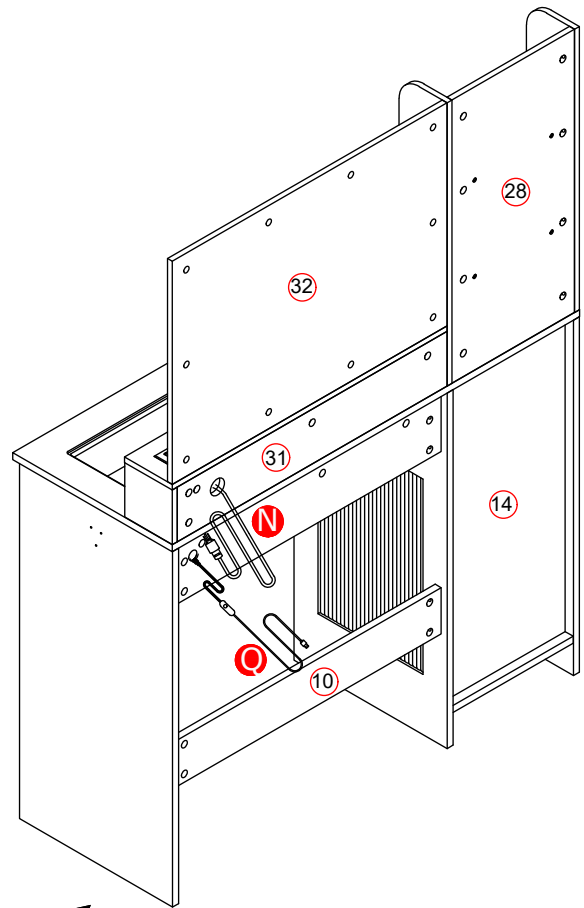


Insert the wooden dowel (C) plate 4 & 5 & 6 & 11. Connect plate 4 & 5 & 6 & 11 & 14 to plate 1, then insert the snap lock (B) into the hole on plate 4 & 5 & 6 & 11 and tighten by turning clockwise as shown.

# 25



As shown in the picture, fix the power socket (N) to part 29 with screws (E), and the power cord is threaded through the hole the backboard 31 to the outside of the cabinet.



The light strip is connected in series with wires

# 26

**H**

x 6

**J**

x 6

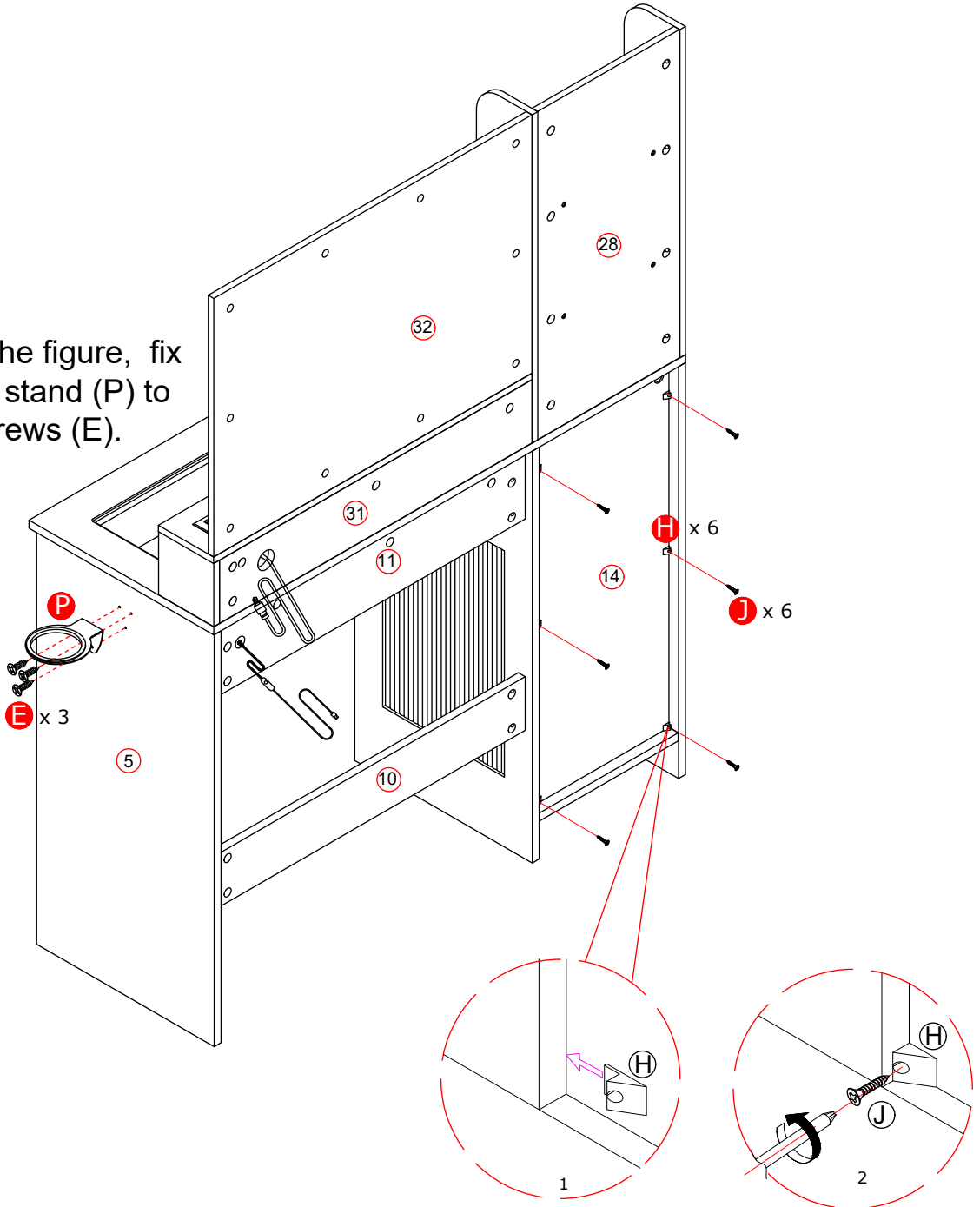
**E**

x 3

**P**

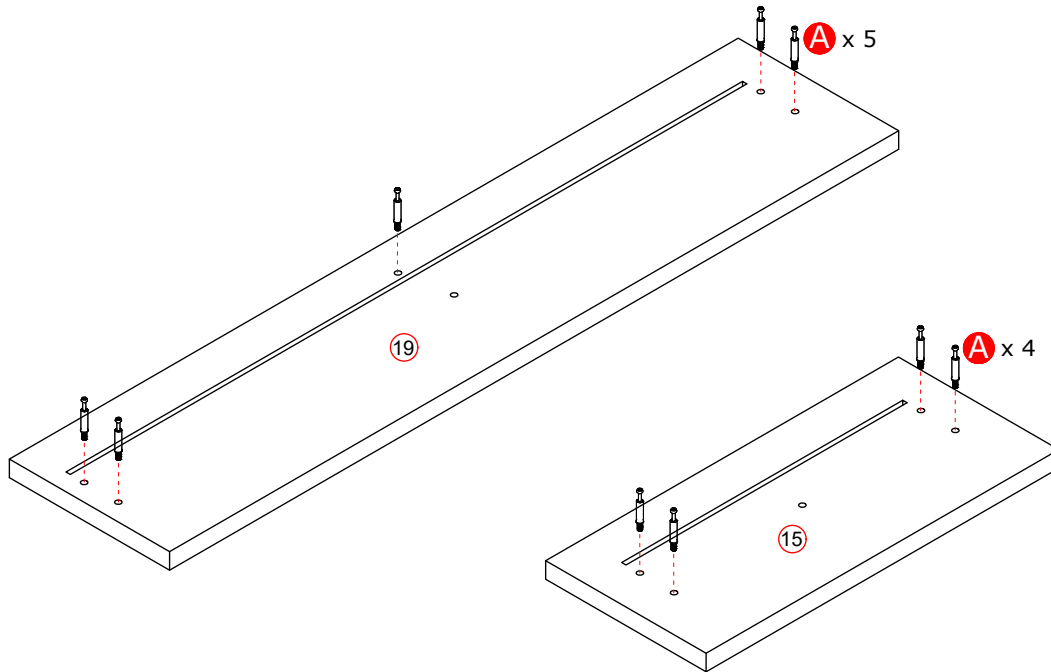
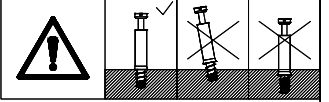
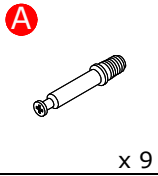
x 1

As shown in the figure, fix the hair dryer stand (P) to part 5 with screws (E).



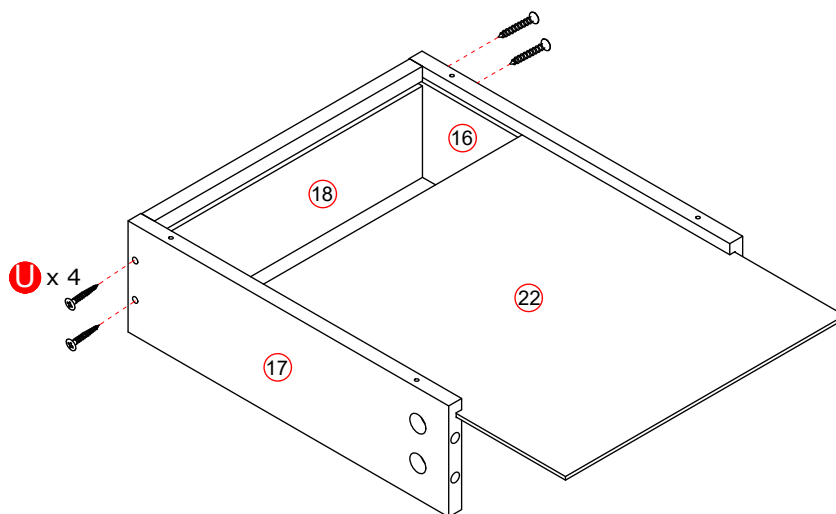
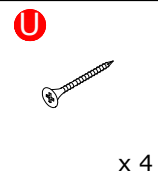
Insert buckle(H) into back slots, and fix with screw(J) as shown.

# 27



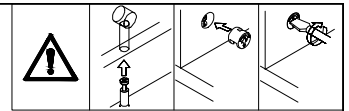
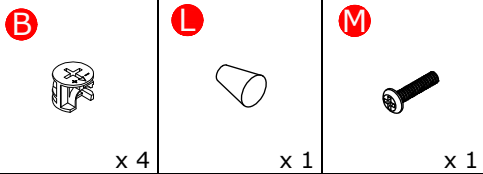
Tighten the screws(A) into the corresponding holes in parts 15 & 19, ensuring they are locked vertically.

# 28

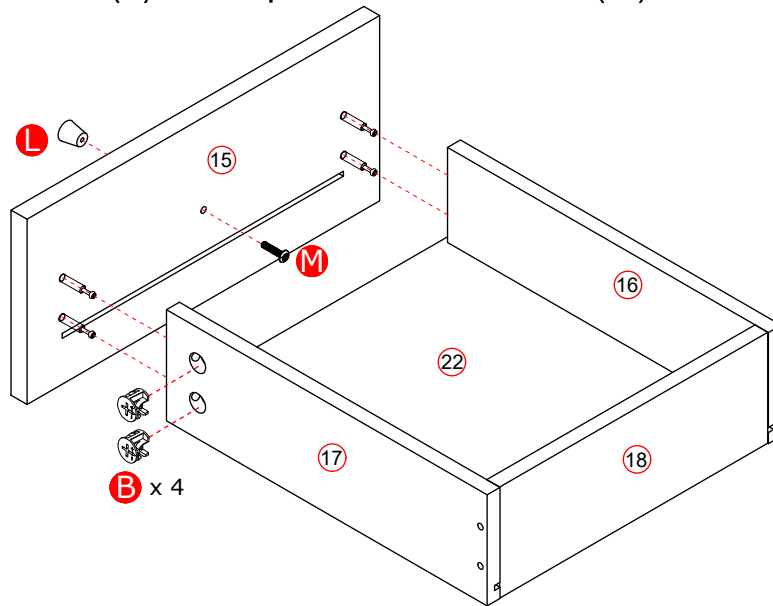


Use screws (U) to connect parts 16 & 17 with part 18. Slide part 22 along available grooves.

# 29

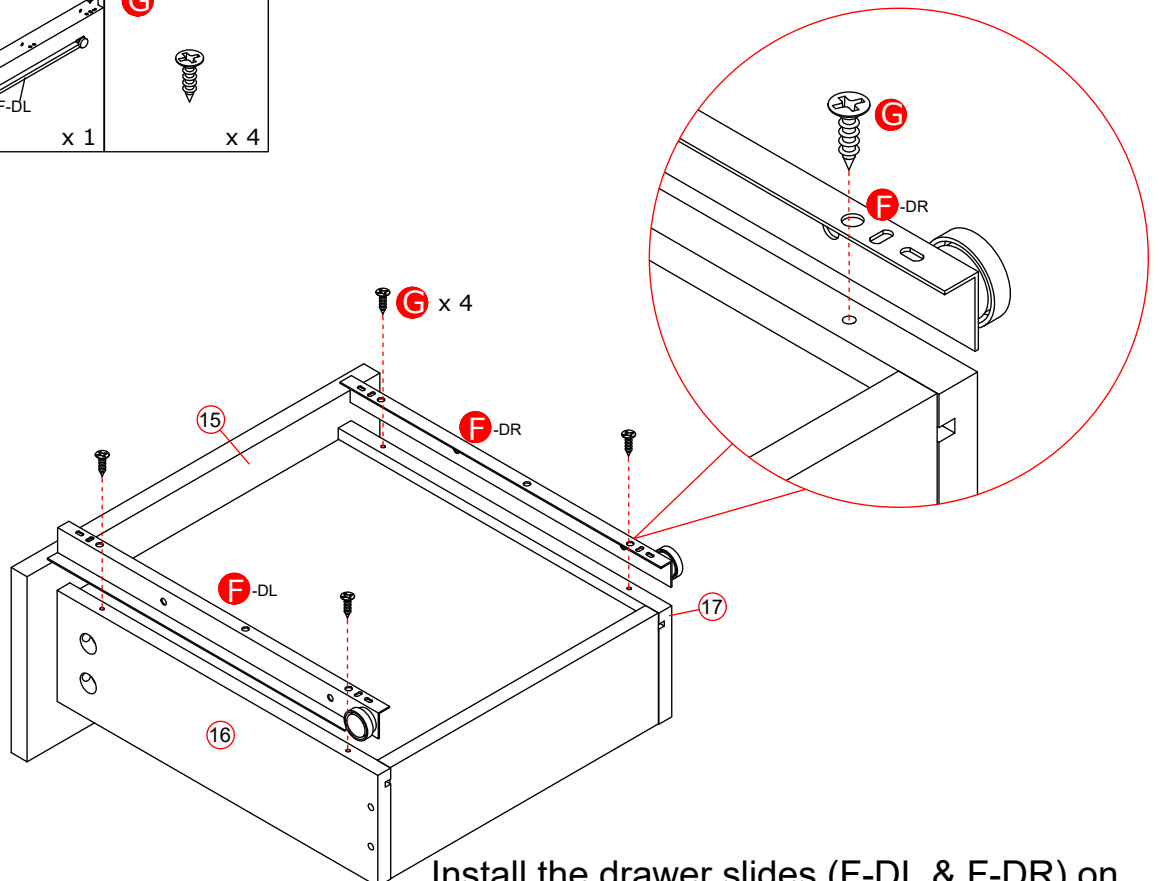
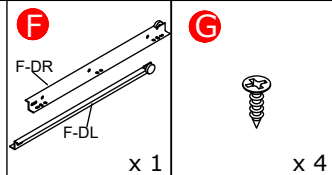


Attach the handle (L) to the part 15 with screws (M).



Connect part 15 to part 16 & 17 & 22, then insert the snap lock (B) into the hole on plate 16 & 17 and tighten by turning clockwise as shown.

# 30

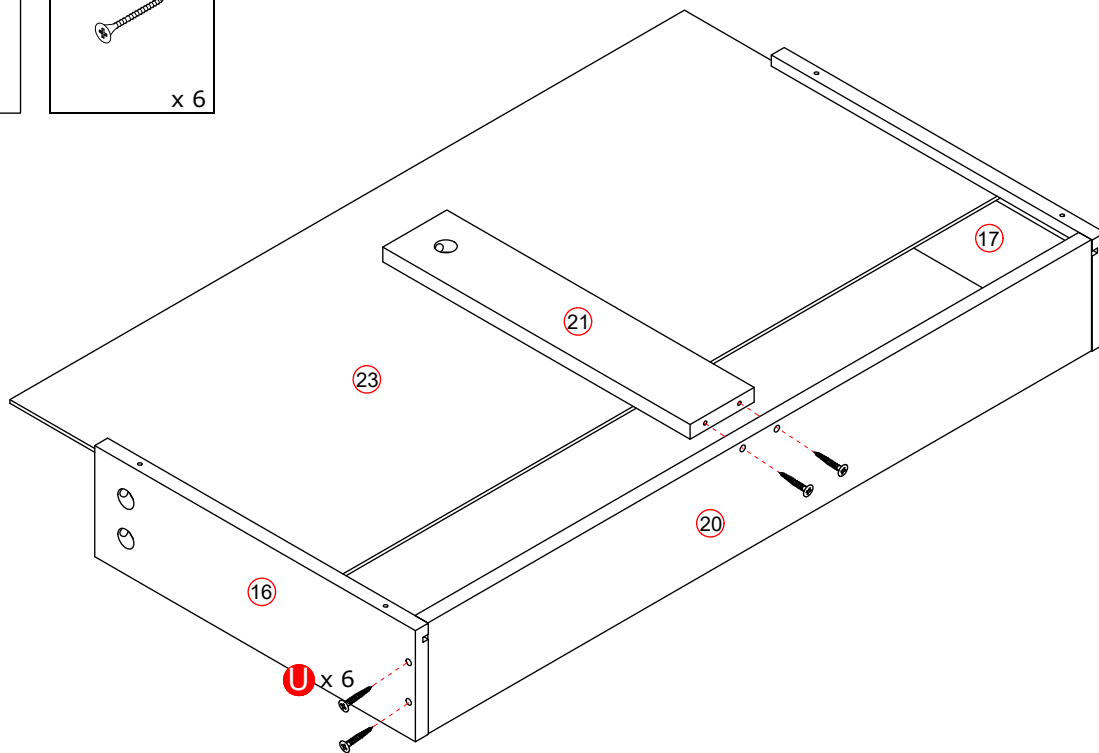


Install the drawer slides (F-DL & F-DR) on the parts 16 & 17 at the bottom of the drawer with screws (G) as shown in the picture.

# 31

**U**

x 6

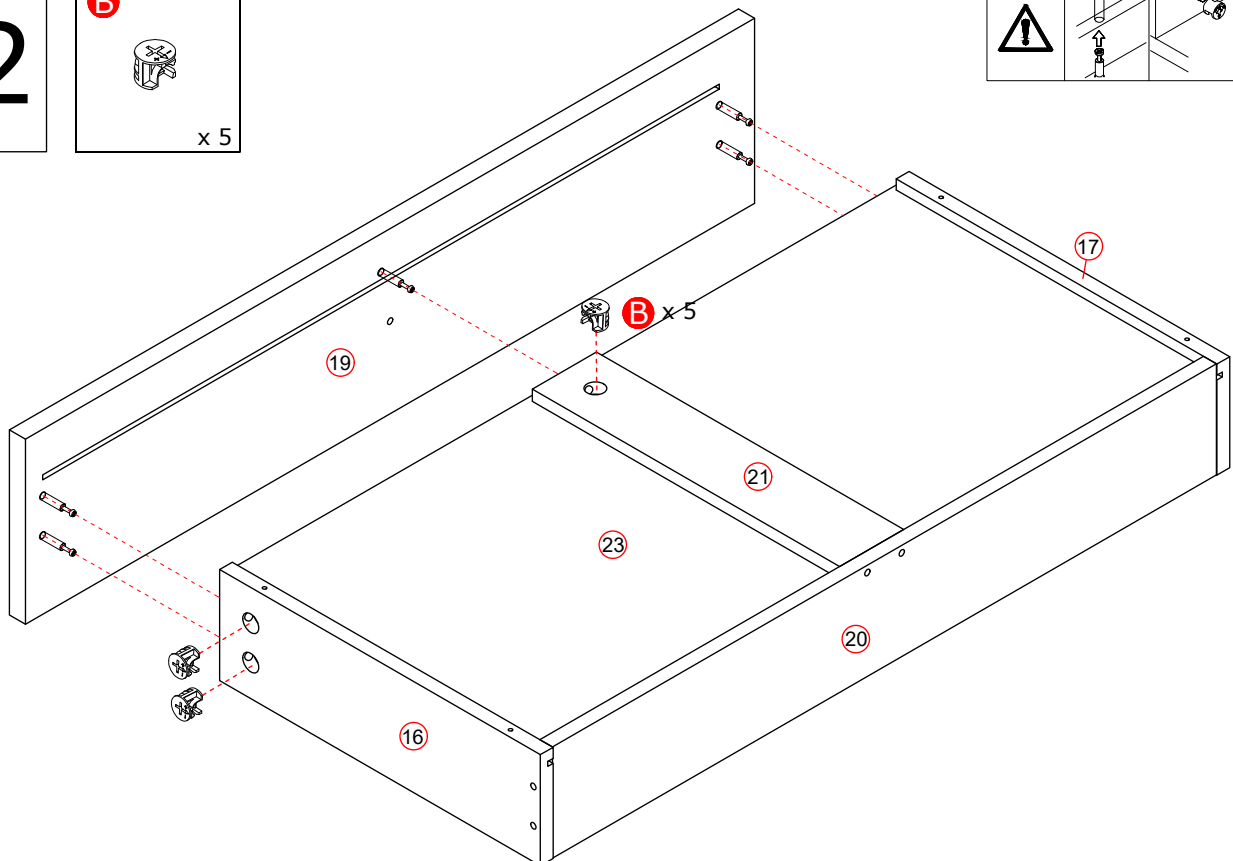


Use screws (U) to connect parts 16 & 17 with part 20. Slide part 23 along available grooves. And use screws (U) to connect parts 20 with part 21

# 32

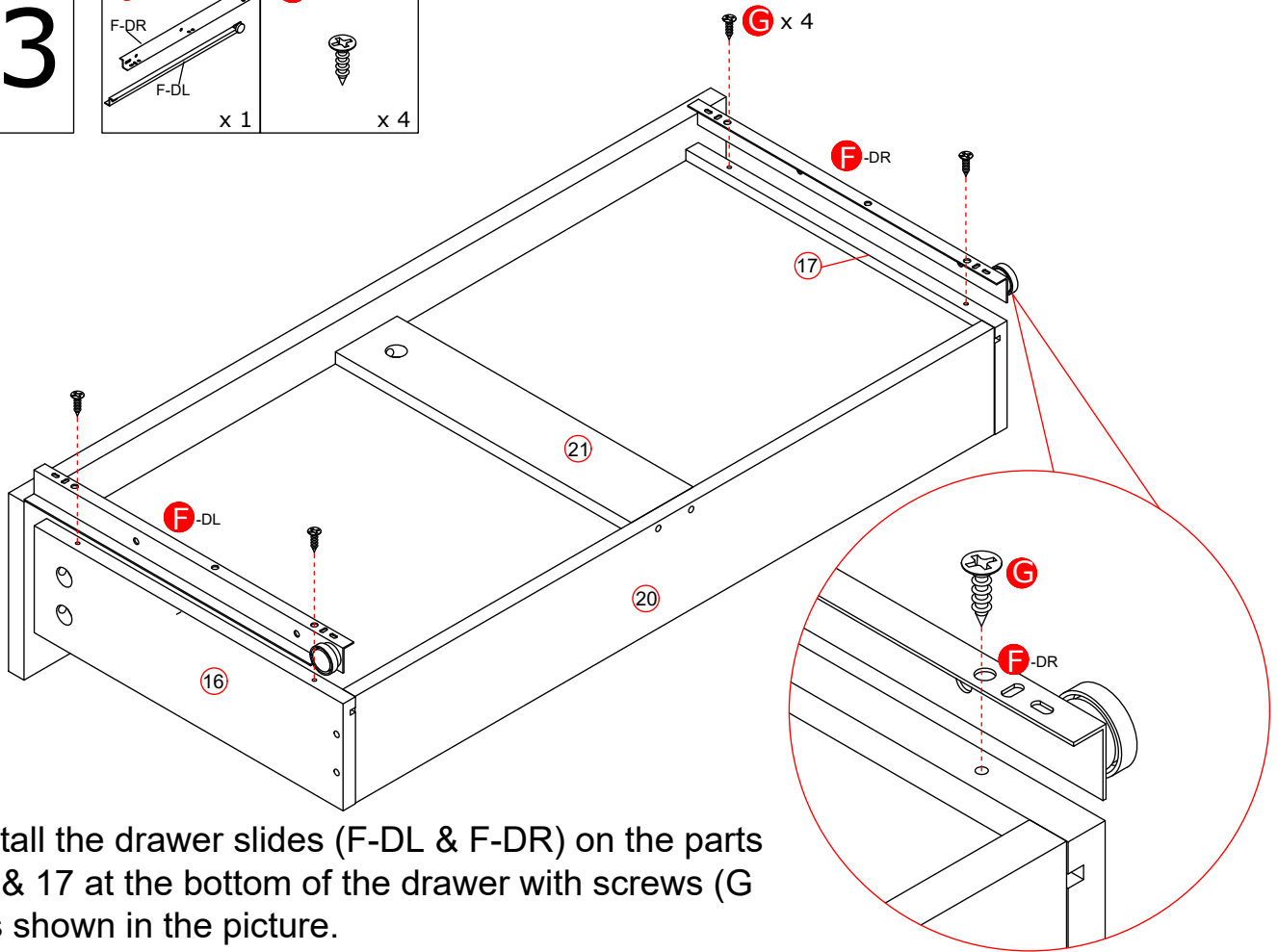
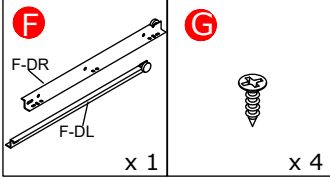
**B**

x 5



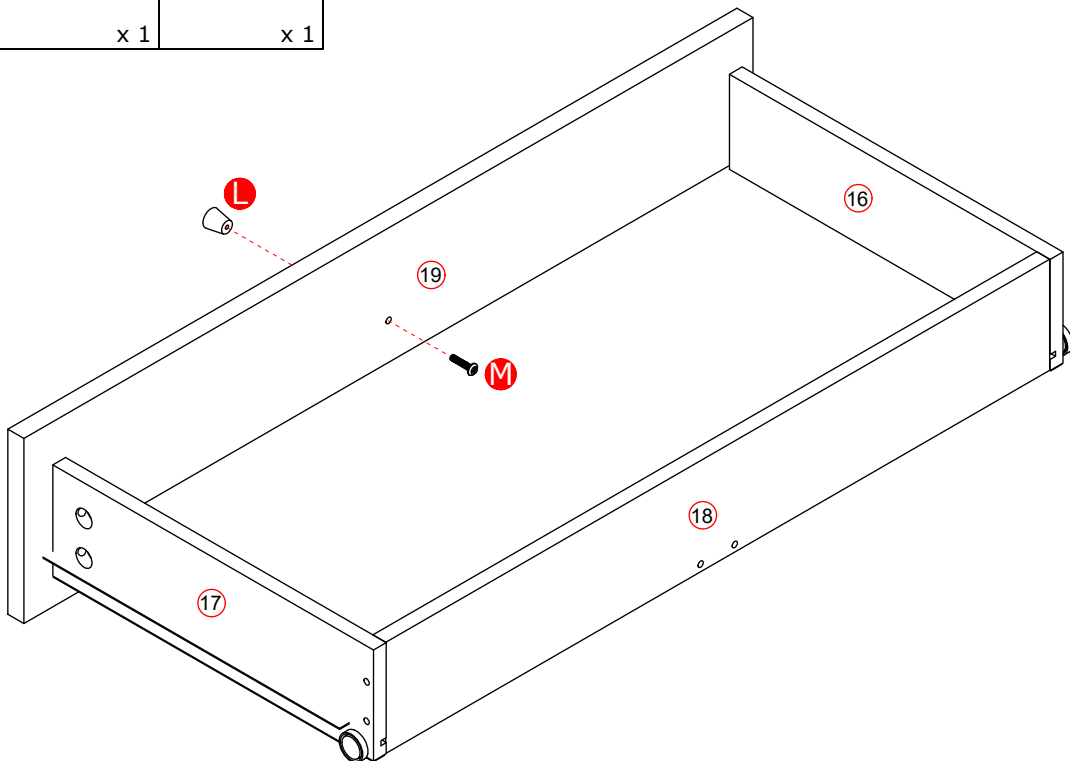
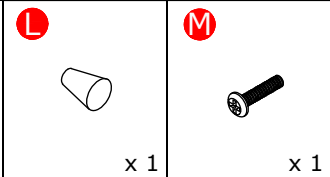
Connect part 19 to part 16 & 17 & 21 & 23, then insert the snap lock (B) into the hole on plate 16 & 17 & 21 and tighten by turning clockwise as shown.

# 33



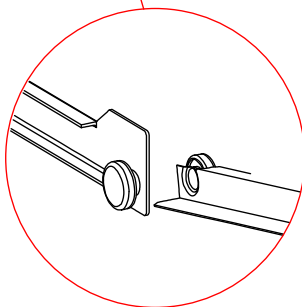
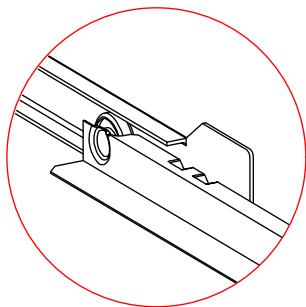
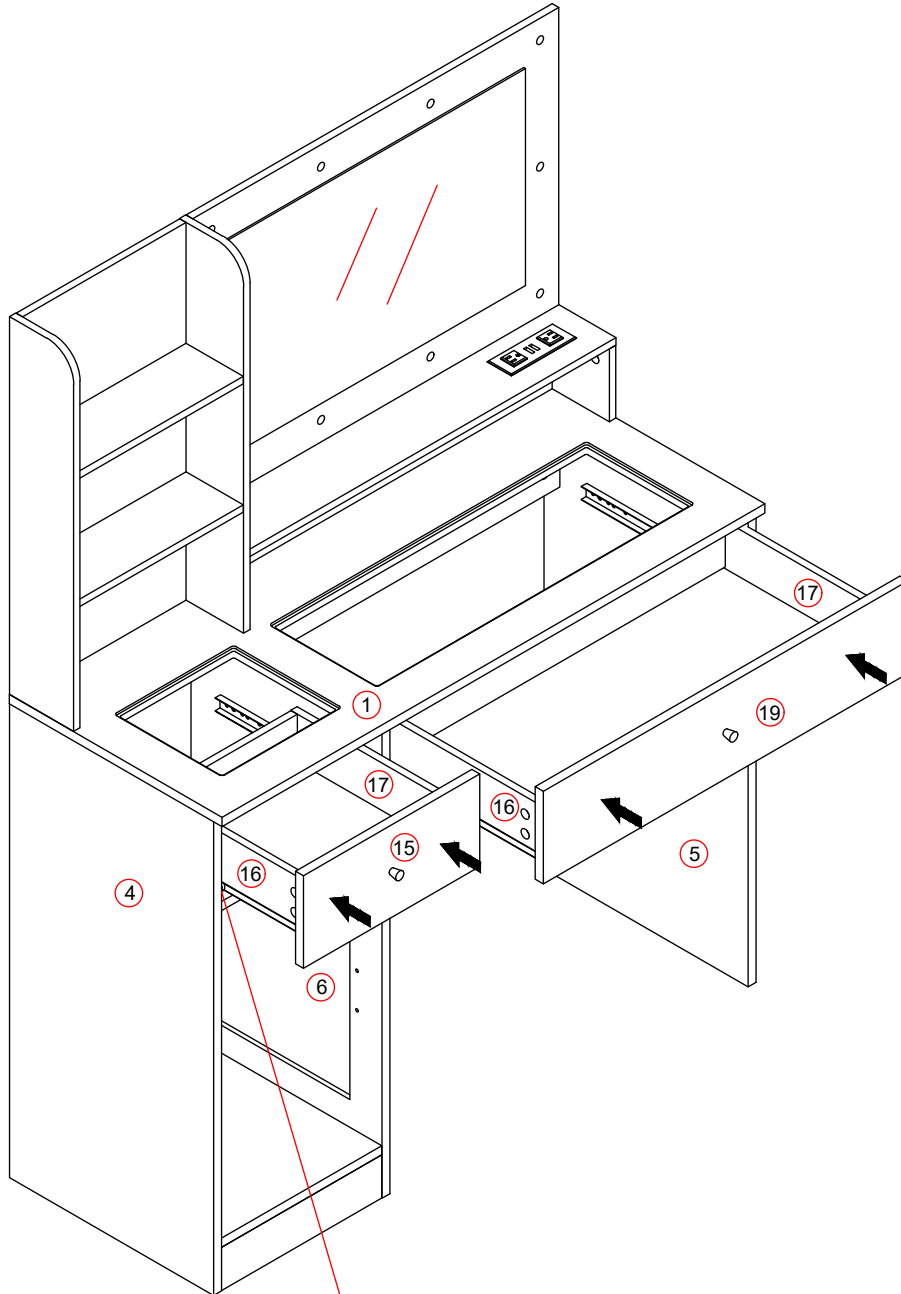
Install the drawer slides (F-DL & F-DR) on the parts 16 & 17 at the bottom of the drawer with screws (G) as shown in the picture.

# 34

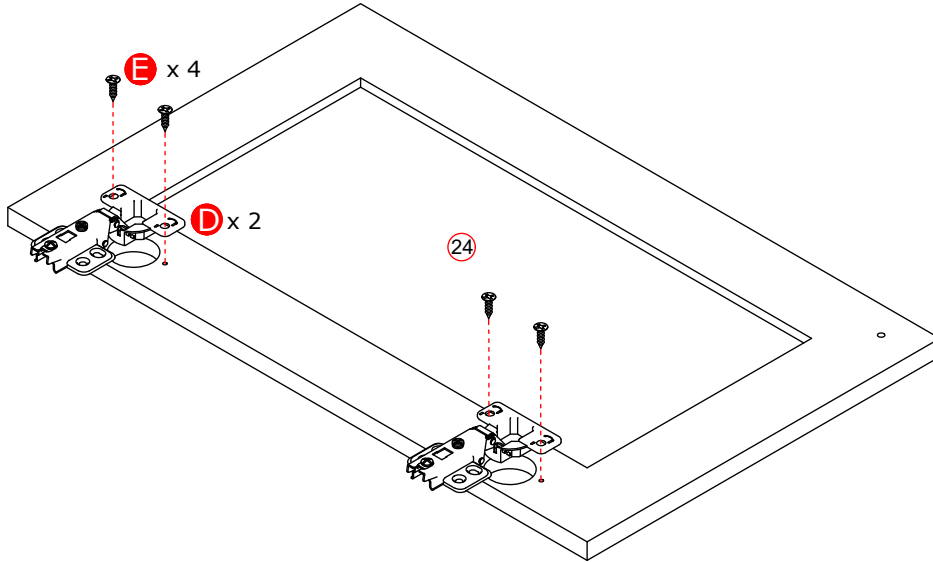
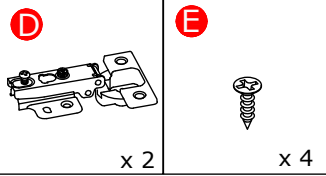


Attach the handle (L) to the part 19 with screws (M).

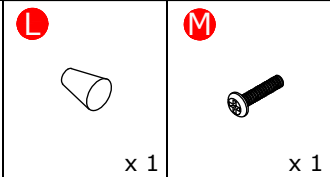
As shown in the figure, insert the slide rail (F-DL & F-DR) into the slide rail( F-CL & F-CR), and slide the Drawer into place along the direction



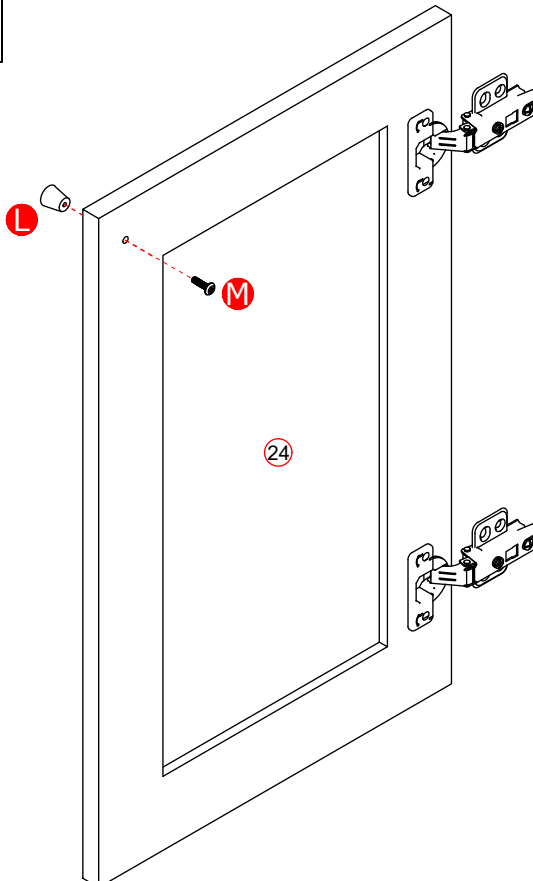
# 36



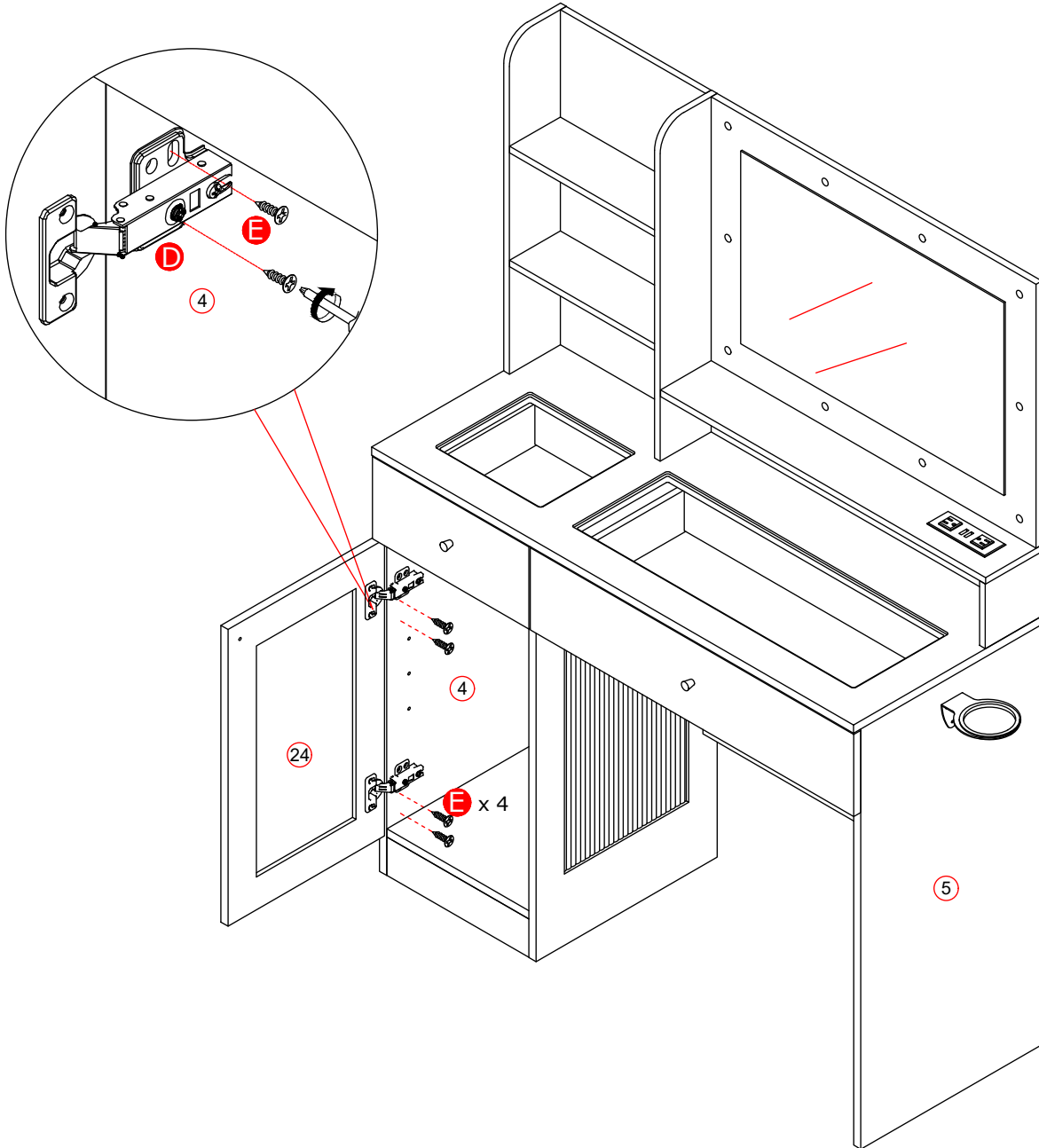
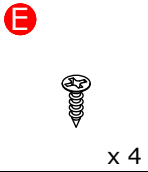
# 37



Attach the handle (L) to the part 24 with screws (M).

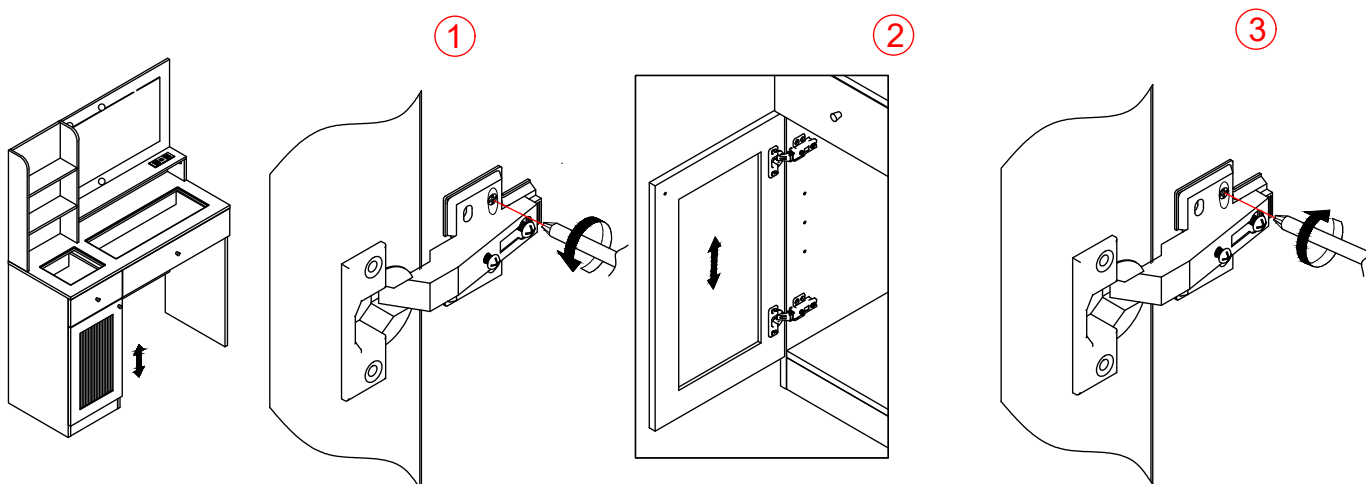


# 38

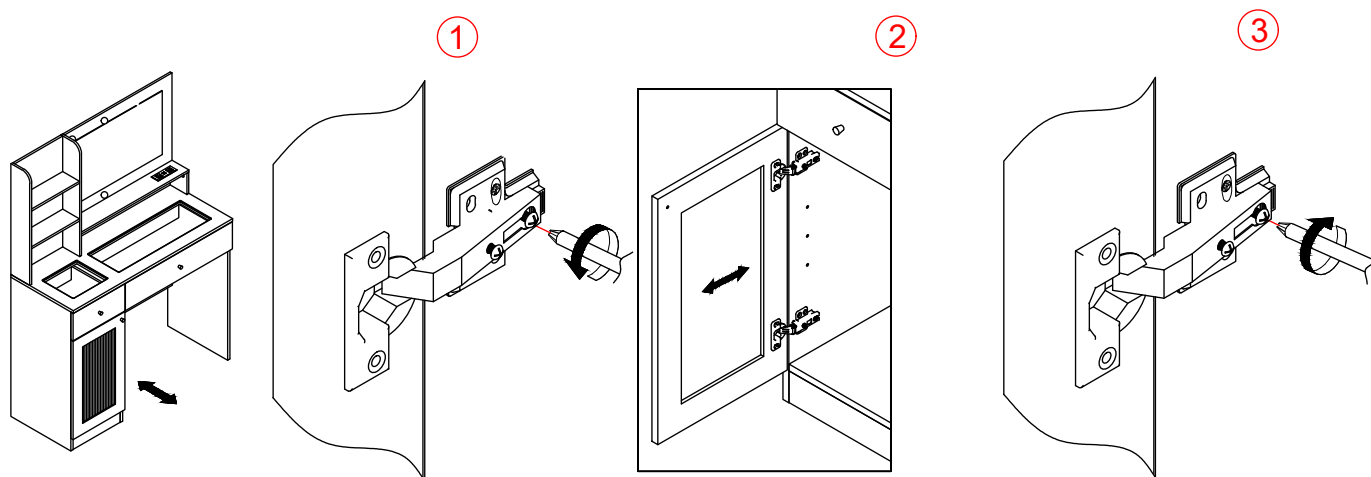


As shown in the figure, use screws (E) to secure part (D) to part 4 through the long slots. Do not tighten the screws until all of them are properly placed. Do not install the screws in the round holes yet; install them after adjusting the cabinet doors properly.

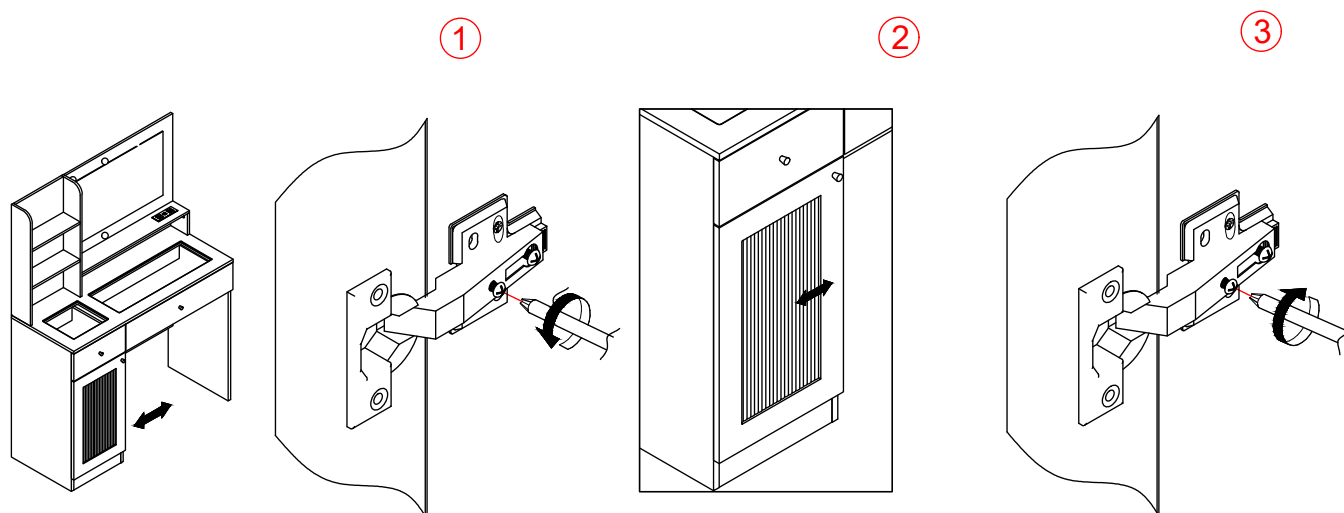
When the clearance of the door is uneven, adjust the cabinet door according to the figure. If you still have trouble adjusting the door, please contact us.



Up and down adjustment by loosening the screws on the mounting plate.

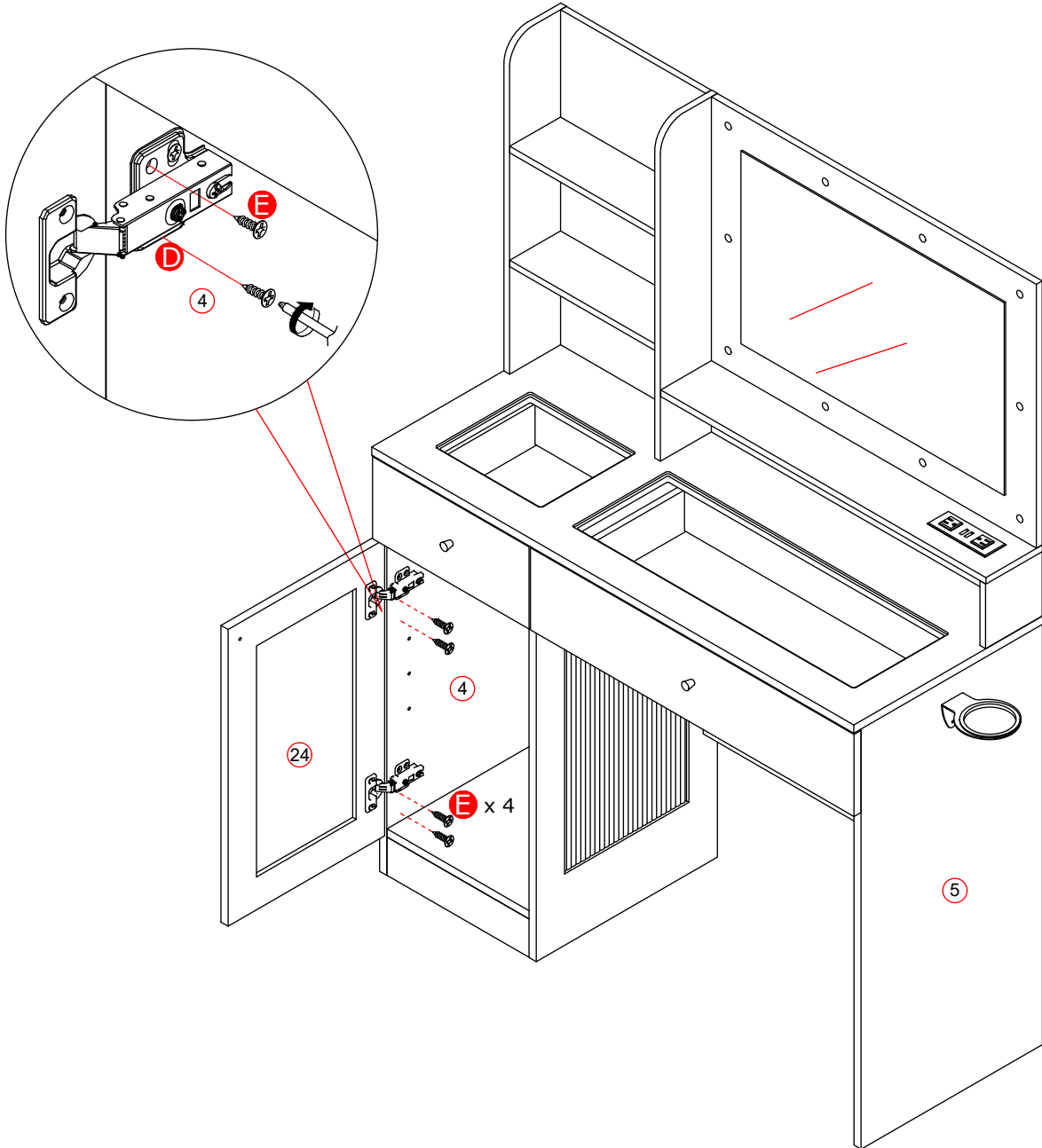
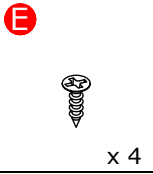


In-and-out adjustment by loosening the screws on the hinge arm.



Side-to-side adjustment using the front adjustment screw on the hinge.

# 39



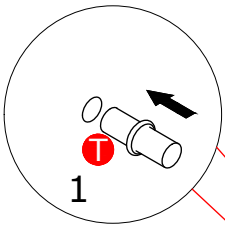
After adjusting, use screws (E) to secure part (D) to part 4 through the round holes in part (D) for added stability.

# 40

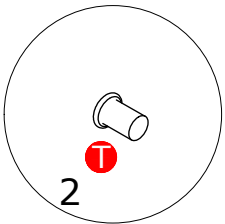
T



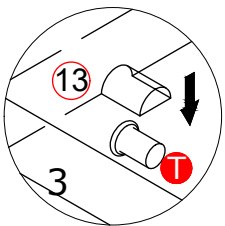
x 4



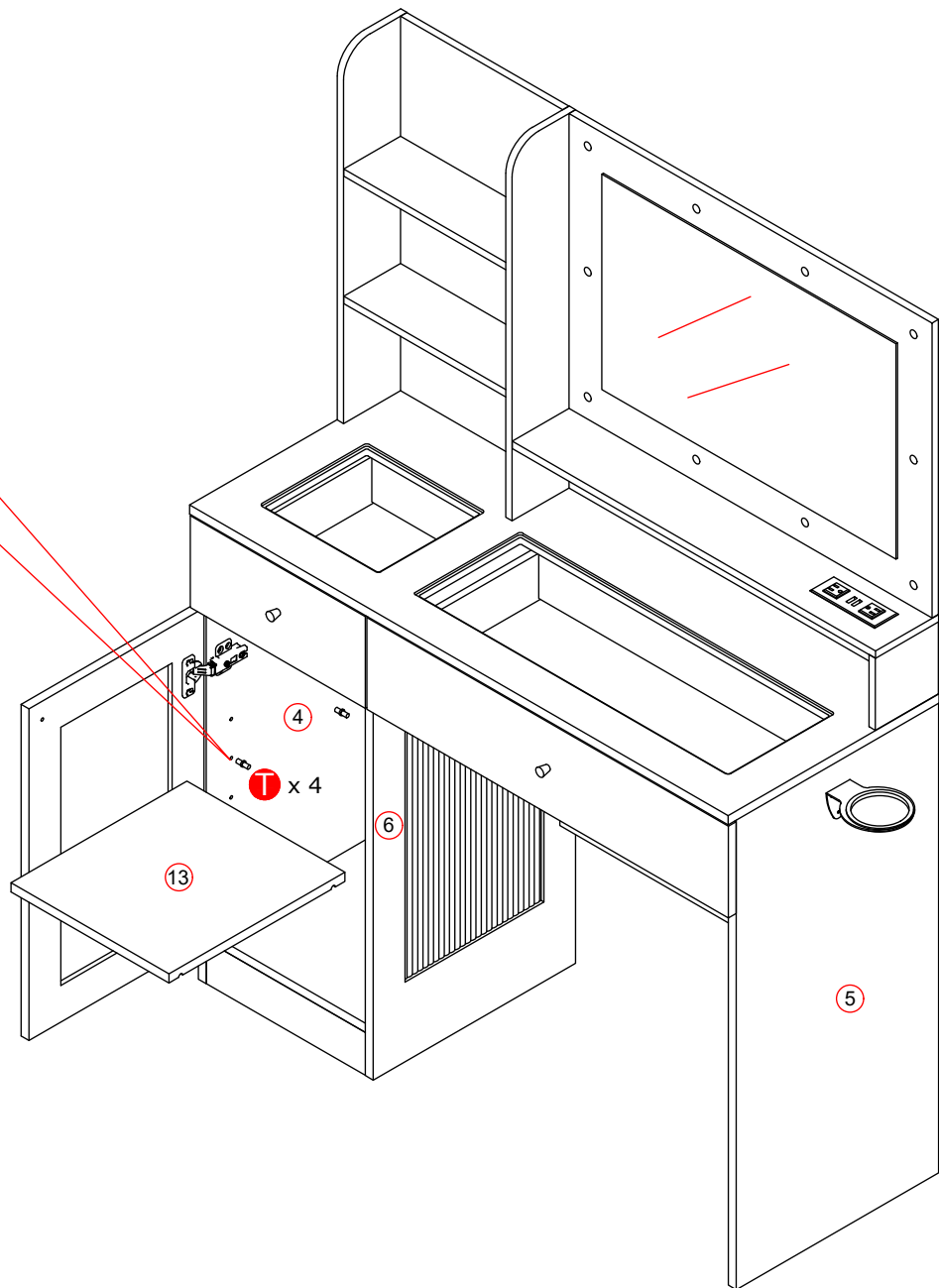
1



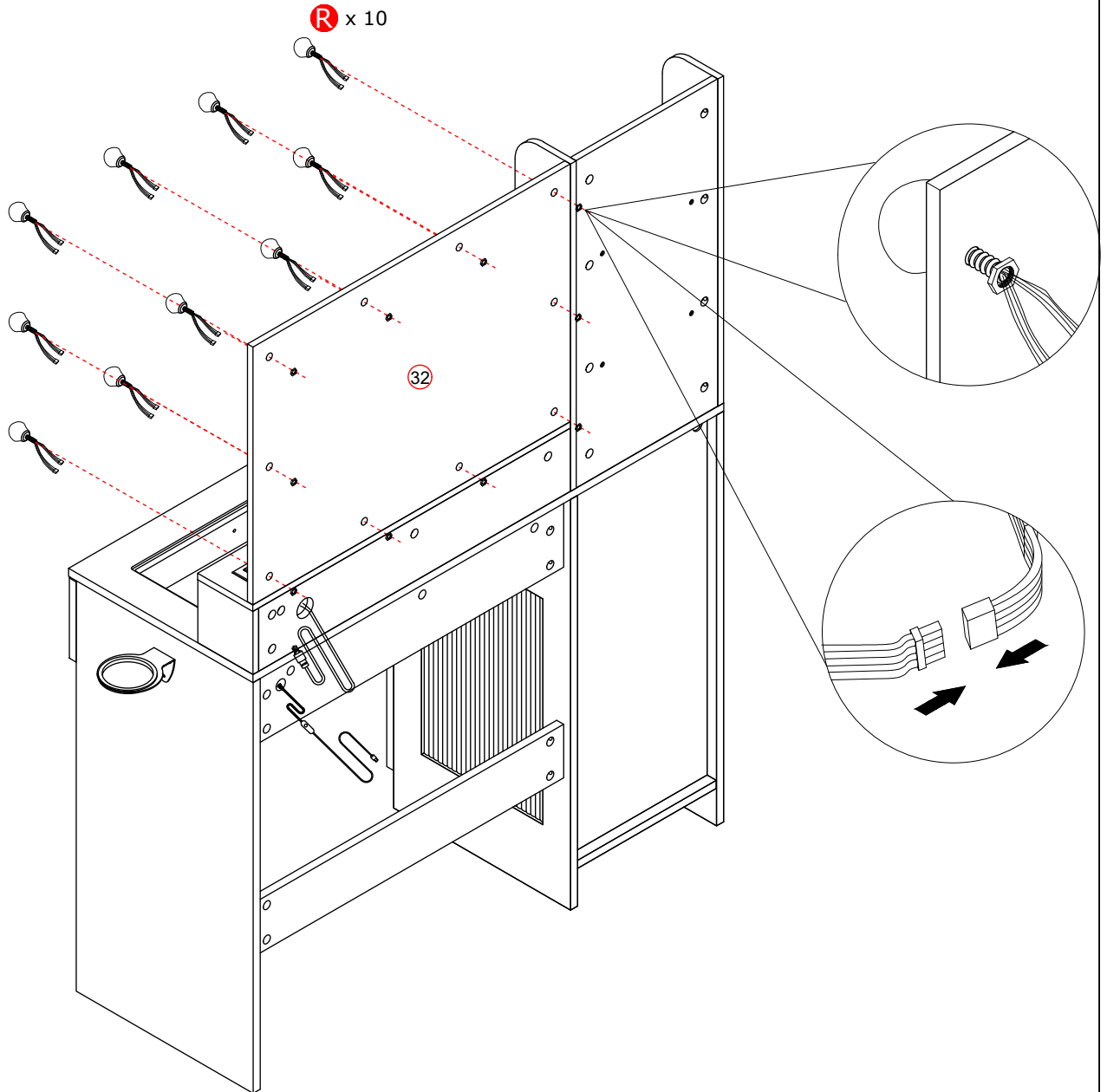
2



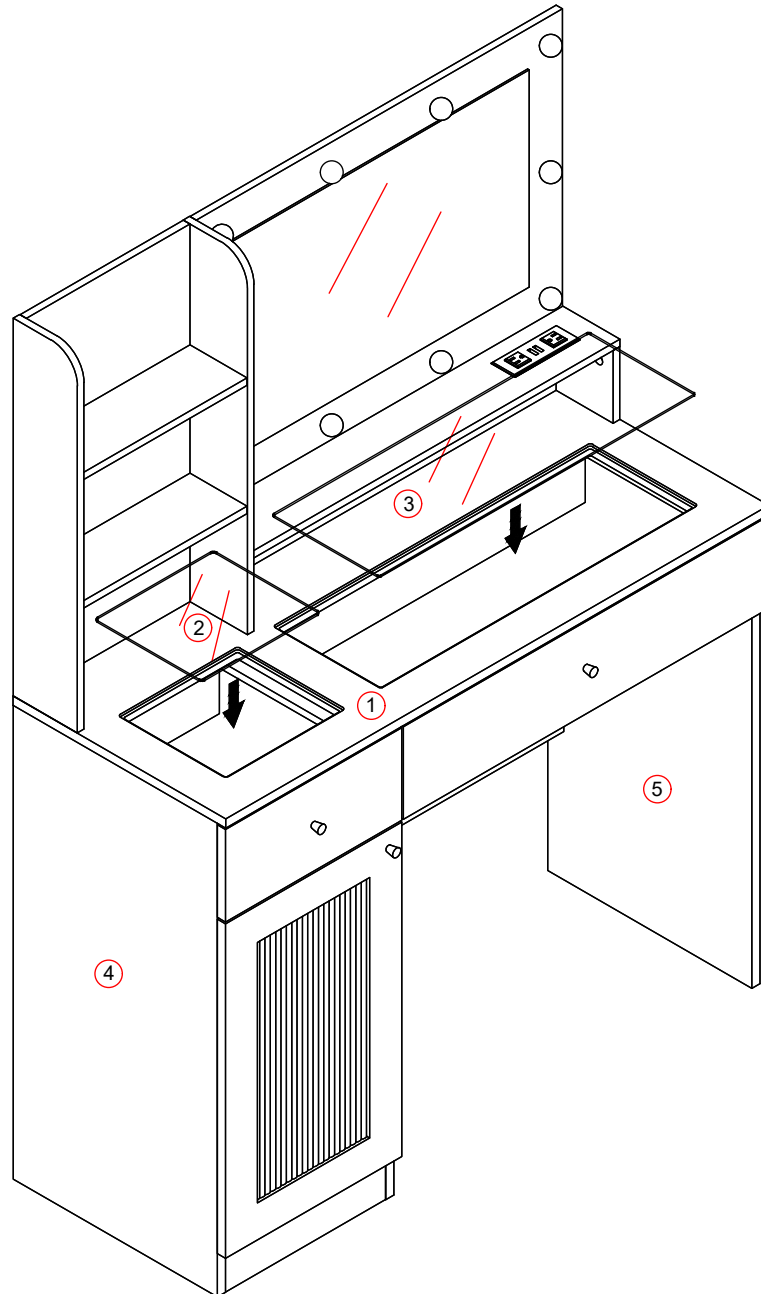
3



# 41

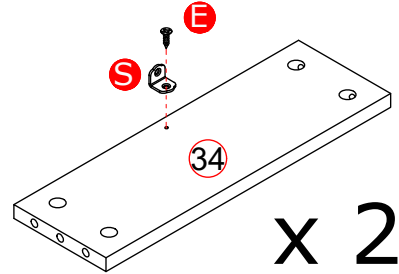
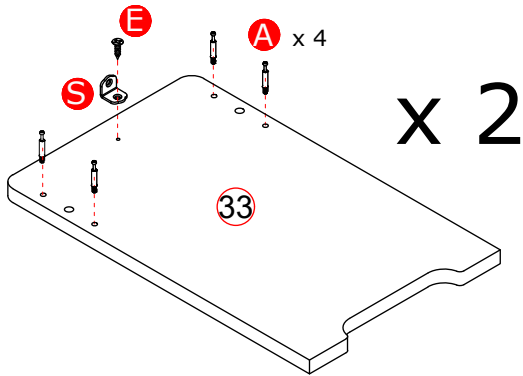
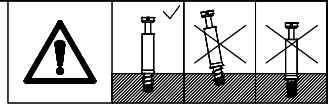
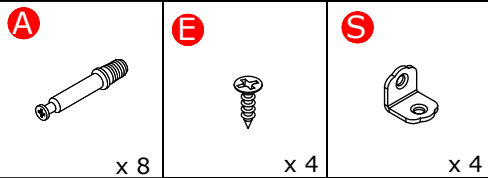


Install the lamps (R) on the part 32 as shown in the figure, and connect them in series with wires.



Place glass 2 & 3 into the groove of part 1

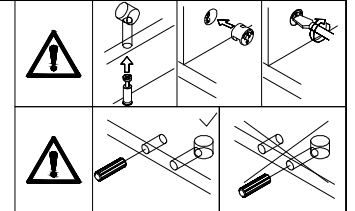
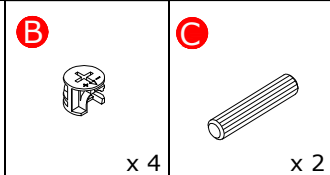
# 43



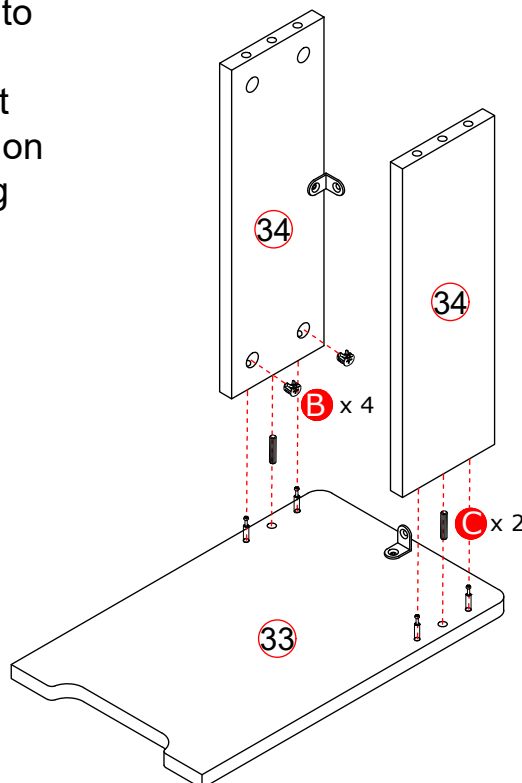
Tighten the screws(A) into the corresponding holes in parts 33, ensuring they are locked vertically.

As shown in the drawing, with the stool parts 33 and 34 with the angle iron (S) and screws (E).

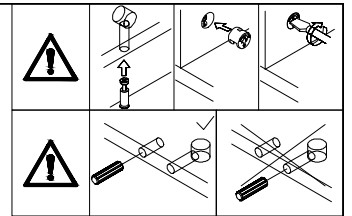
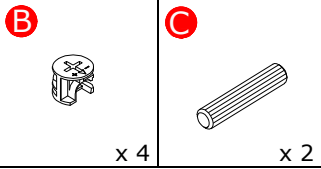
# 44



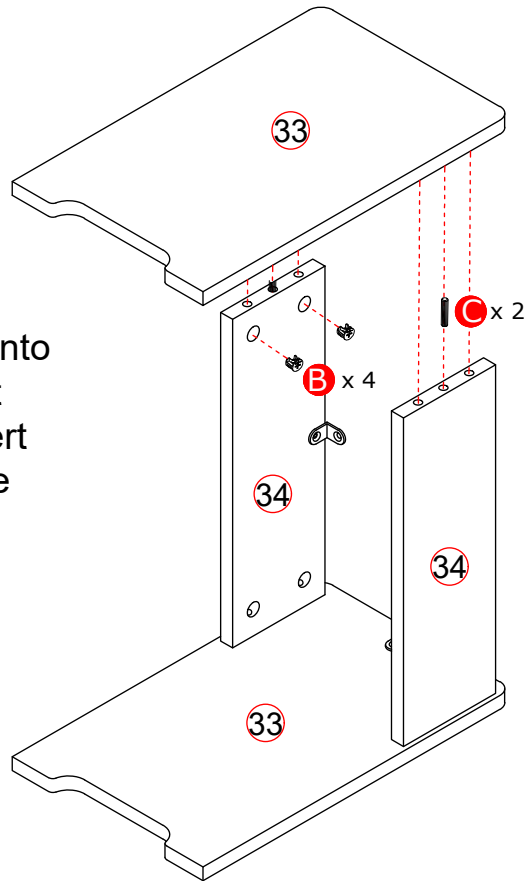
Insert the wooden dowel (C) into one side of plate 33. Connect plate 33 to plate 34, then insert the snap lock (B) into the hole on plate 34 and tighten by turning clockwise as shown.



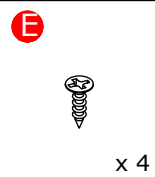
# 45



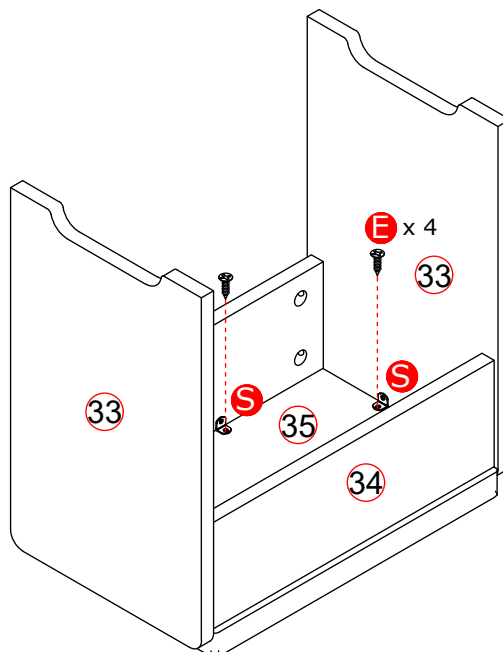
Insert the wooden dowel (C) into one side of plate 33. Connect plate 33 to plate 34, then insert the snap lock (B) into the hole on plate 34 and tighten by turning clockwise as shown.



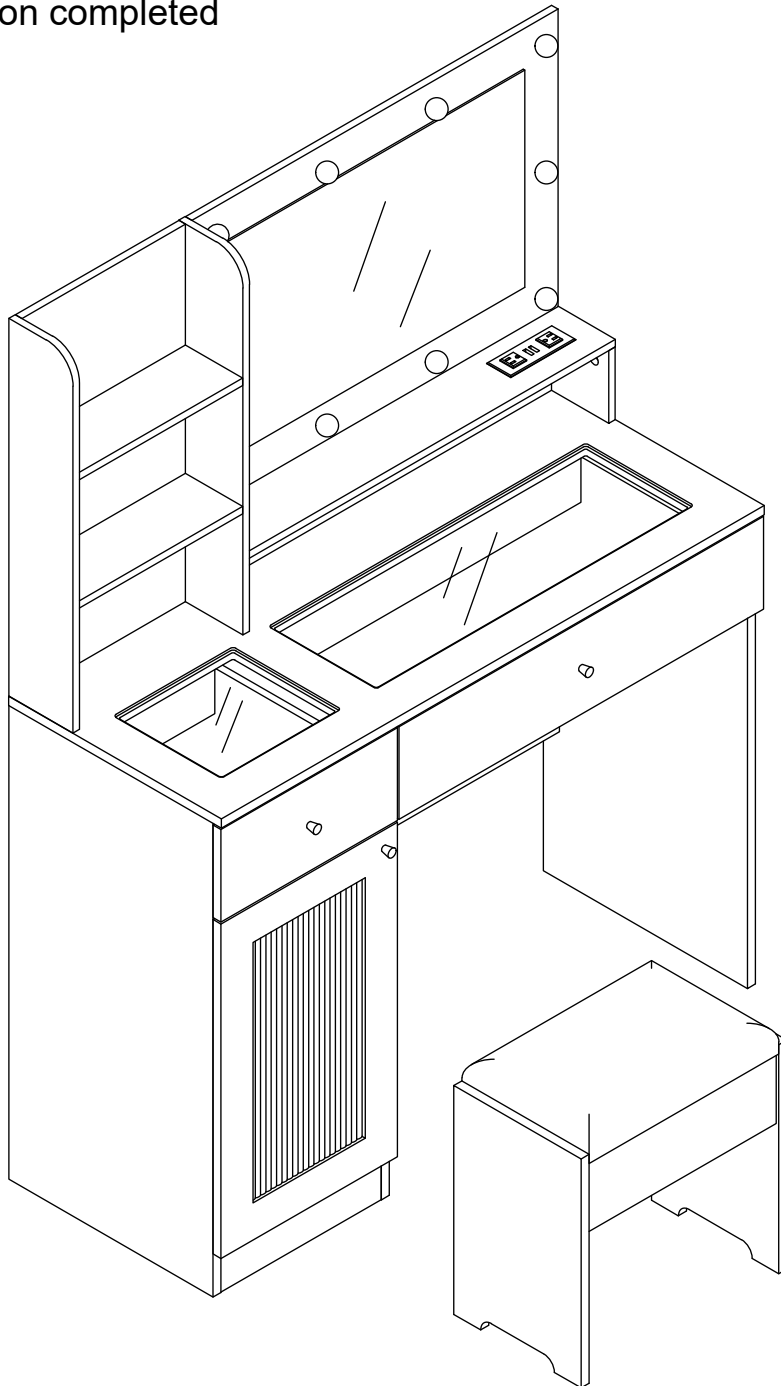
# 46



As shown in the drawing, connect the seat surface (35) with the stool parts 33 and 34 with the angle iron (S) and screws (E).



Installation completed



# WARRANTY

## WARRANTY CLAIMS

- There is a 30-day warranty for broken furniture or any other problems that cause improper function. The warranty starts from the date of purchase and requires proof of purchase.
- The product must be used in accordance with the provided instructions.
- For other reasons, if the furniture needs to be returned, it must be cleaned, dried, and operated within 30 days of receipt.

## Type of Warranty Claim

- Failure to follow the furniture instructions will invalidate the warranty. Please note, the warranty does not cover damage during installation, but does cover damage incurred during transportation.

## Scope of Responsibility

- We are not responsible for misuse, user damage, or loss of parts during the installation of the furniture. Additionally, any damage or scratches incurred after use are not covered by the warranty.

## WARRANTY CLAIMS

- The warranty for products purchased in the U.S. covers the following areas:
- Sheet parts: 1 month from the date of purchase.
- Electrical parts: 1 month from the date of purchase.

# RETURNS

## Changed your mind and need to return your item?

### Please follow the instructions below:

- If you have purchased the item and simply changed your mind, please follow the retailer's return instructions.

## DEFECTIVE ITEMS

- If your item is defective in any way, meaning it doesn't work but you cannot identify the cause, please first consult our FAQ section at [Furniture-AfterSales@outlook.com](mailto:Furniture-AfterSales@outlook.com), as there may be a simple solution to the issue.

## DAMAGED ITEMS

- If you receive an order with obvious shipping damage, we suggest refusing the delivery. If the delivery has already been accepted and you later find shipping damage, please follow the specific instructions provided by the retailer.
- In all cases, please keep all packaging materials and paperwork related to the order.
- Please be aware that if you dispose of packaging materials or attempt to return the item without contacting the retailer, you may risk losing your chance to file a claim, and you may not receive credit for the return.