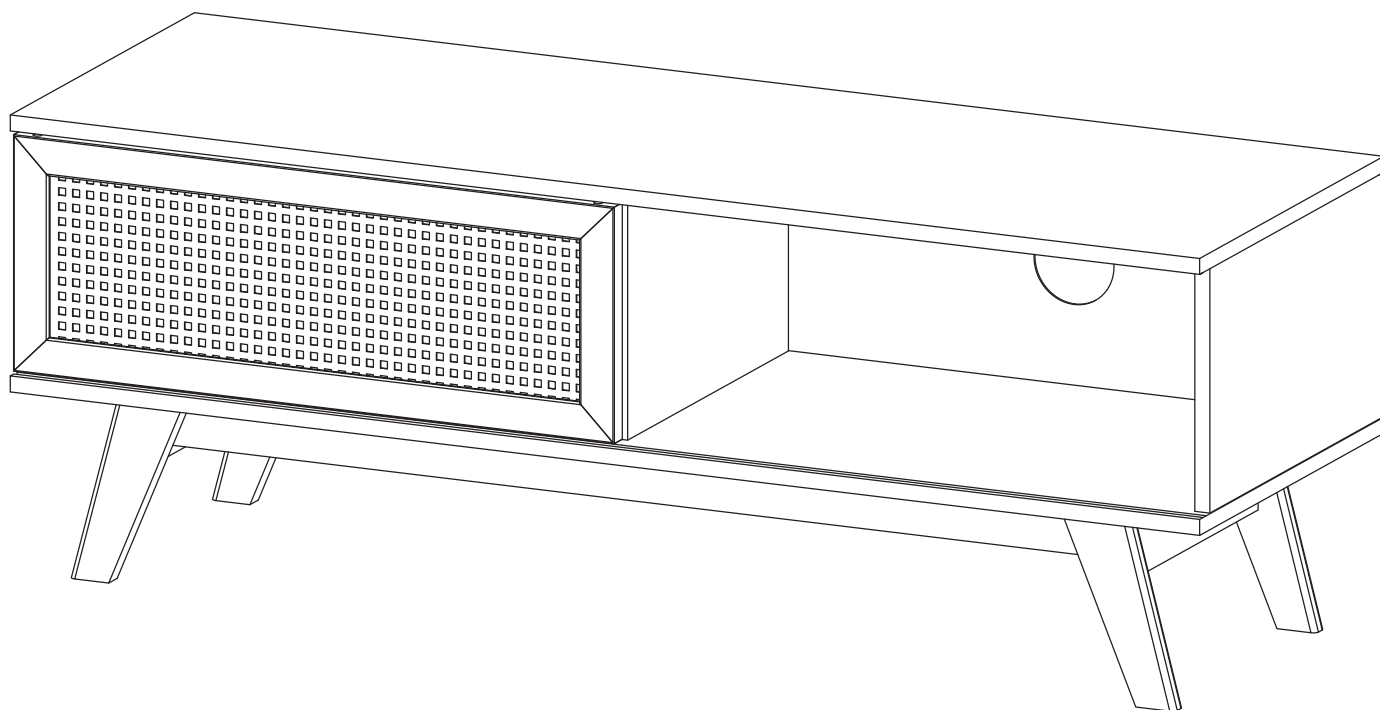


ASSEMBLY INSTRUCTIONS

EEI-6039

V0.03.14.22

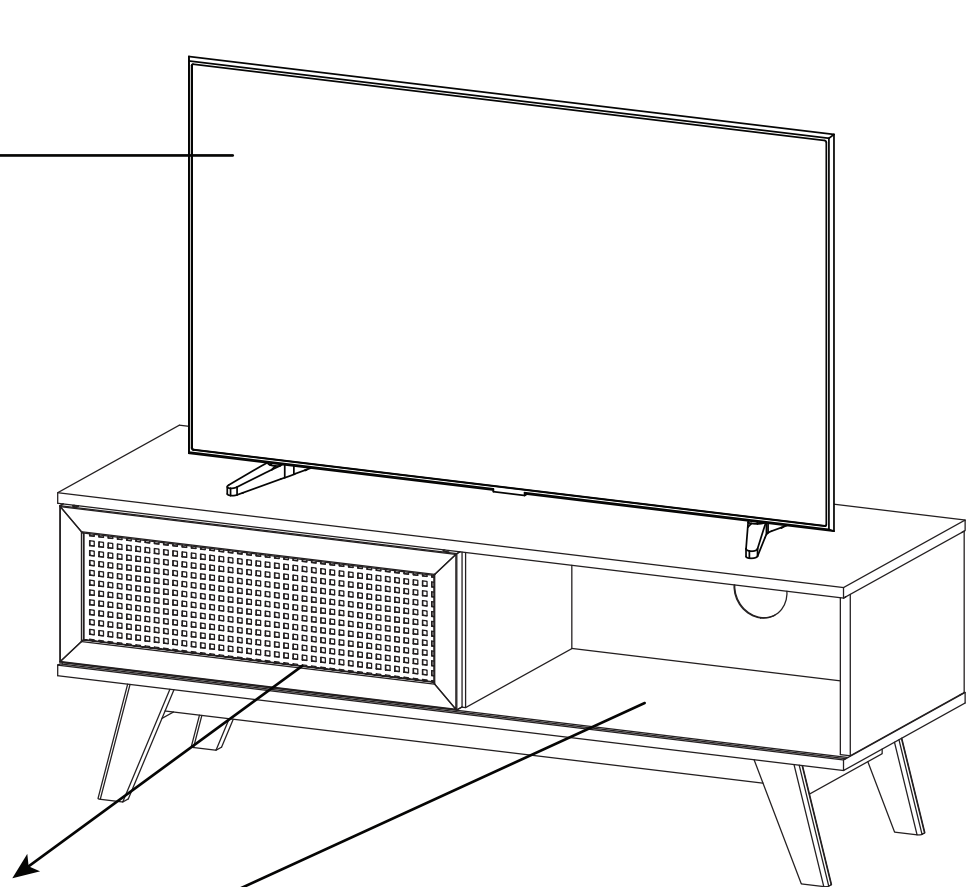


Questions? Contact us!

609.256.9000 • cs@modway.com
www.modway.com

*modway

For use with televisions weighing a maximum of 100 lb / 45.4 kg or less, with a maximum width of 45 inches / 114.3 cm.



22 lb / 9.9 kg weight limit per shelf



Read through all of the instructions before starting



Care instructions are listed in the last step of this manual



Approx. 60 minutes assembly time



Make sure you have all parts and components before discarding any packing materials



2 people recommended for assembly

Only use hand tools to assemble this item. Do not use power tools. Do not tighten bolts or screws completely until all hardware is lined up and inserted into the holes.

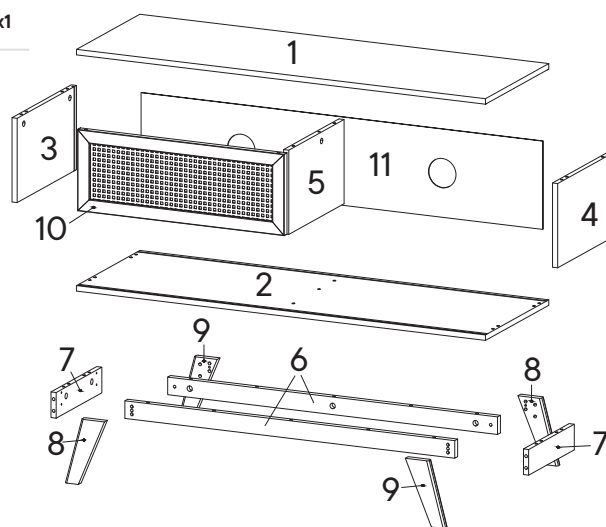
Do not over-tighten screws and bolts to avoid stripping the hardware or cracking the item.

Assemble your item on a flat, carpeted area, with plenty of space to work. This will prevent damage and scratches to your floors or the item while you're assembling the product.

Keep all components and packaging out of reach of children or animals to avoid risk of choking or suffocation.

Furniture components:

1	Top Board	x1	11	Back Board	x1
2	Bottom Board	x1			
3	Side Board Left	x1			
4	Side Board Right	x1			
5	Center Board	x1			
6	Bottom Skirt 1	x2			
7	Bottom Skirt 2	x2			
8	Leg 1	x2			
9	Leg 2	x2			
10	Frame Door	x1			



Provided hardware:

A		Cam Bolt $\varnothing 6 \times 35$ mm	x15	J		Screw M 4.5 x 12.5 mm	x8
B		Cam Lock $\varnothing 15$ mm	x15	K		Pin Sliding Top	x2
C		Wood Dowel $\varnothing 8 \times 30$ mm	x36	L		Pin Sliding Bottom	x2
D		Allen Key	x1	M		Screw Cap $\varnothing 15$ mm	x5
E		Screw M 7 x 50 mm	x5	N		Wedge	x6
F		Screw M 3.5 x 15.5 mm	x6	O		Screw M 6 x 12.5 mm	x10
G		Stopper	x2	P		Floor Protector	x4
H		Bracket	x4	US90		Anti - Deflection Bar	x1
I		Screw M 6.4 x 35 mm	x4				

What you need:



Wait!

Missing parts or hardware? Need assistance?
Contact us before returning your item. We're here to help!
609.256.9000 • cs@modway.com

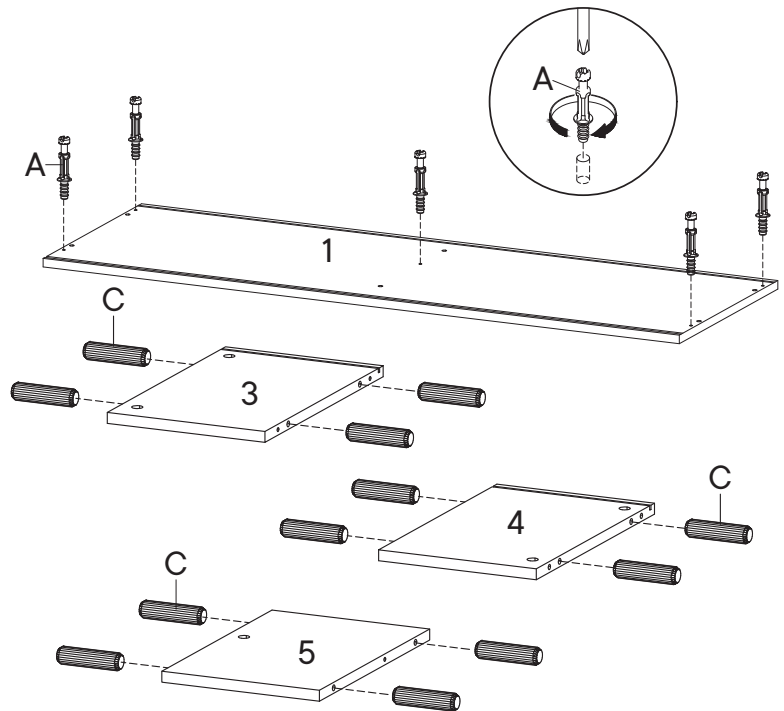
Step 1

HARDWARE

- A** Cam Bolt $\varnothing 6 \times 35$ mm x5
- C** Wood Dowel $\varnothing 8 \times 30$ mm x12

COMPONENTS

- 1** Top Board x1
- 3** Side Board Left x1
- 4** Side Board Right x1
- 5** Center Board x1



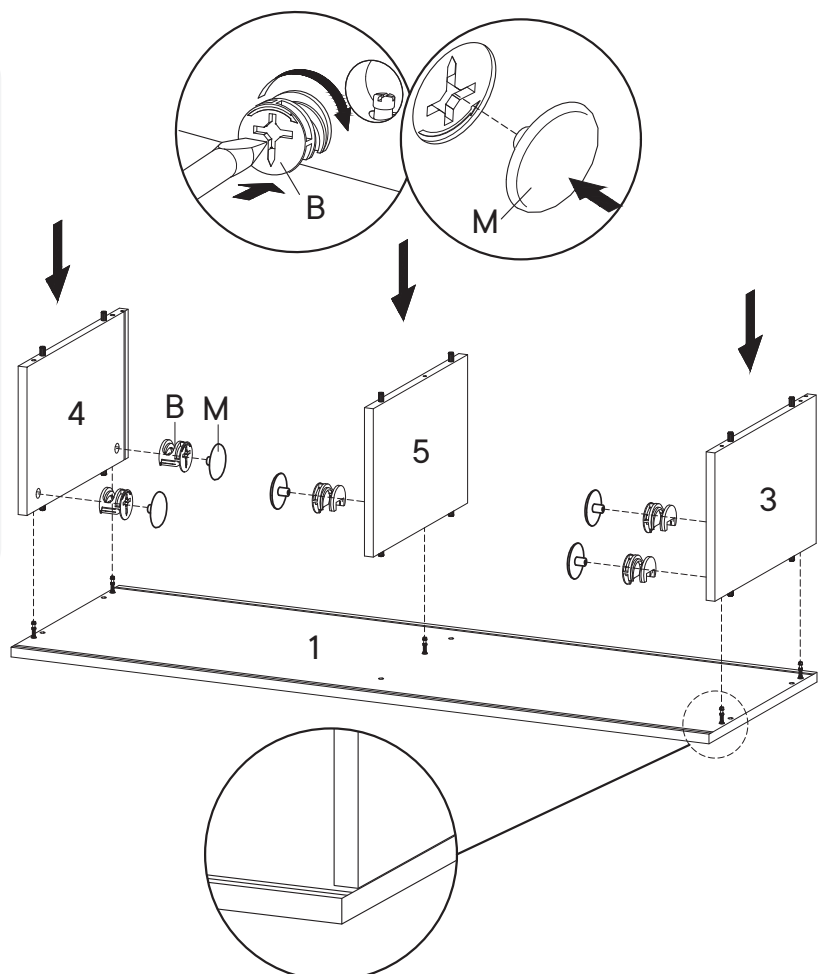
Step 2

HARDWARE

- B** Cam Lock $\varnothing 15$ mm x5
- M** Screw Cap $\varnothing 15$ mm x5

COMPONENTS

- 1** Top Board x1
- 3** Side Board Left x1
- 4** Side Board Right x1
- 5** Center Board x1



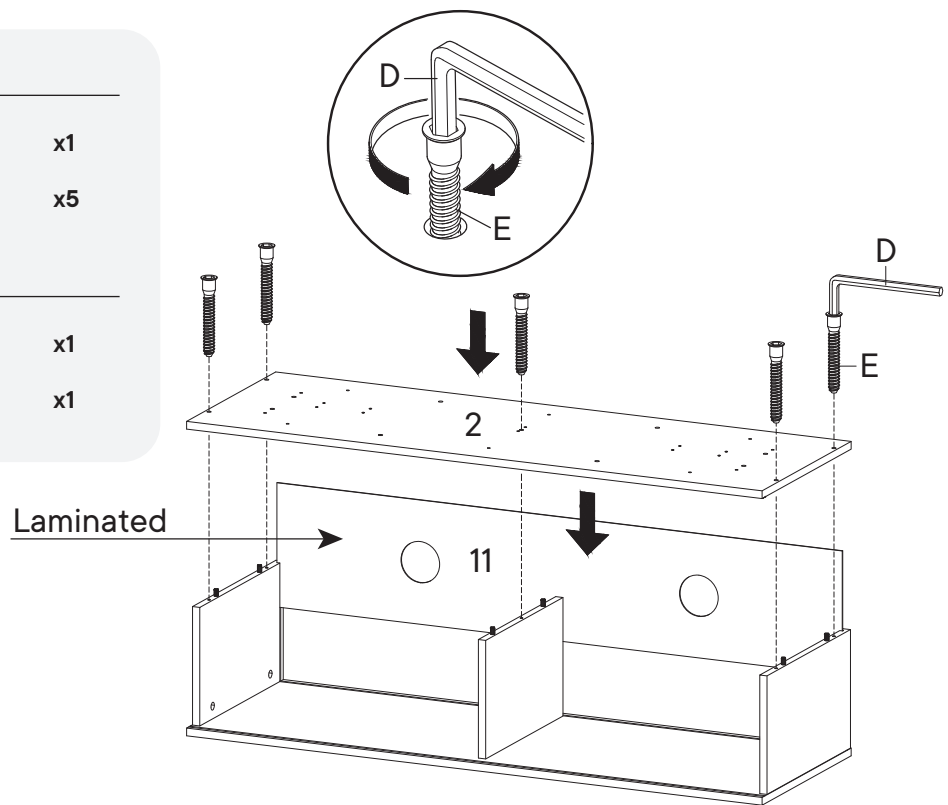
Step 3

HARDWARE

- D** Allen Key x1
- E** Screw M 7 x 50 mm x5

COMPONENTS

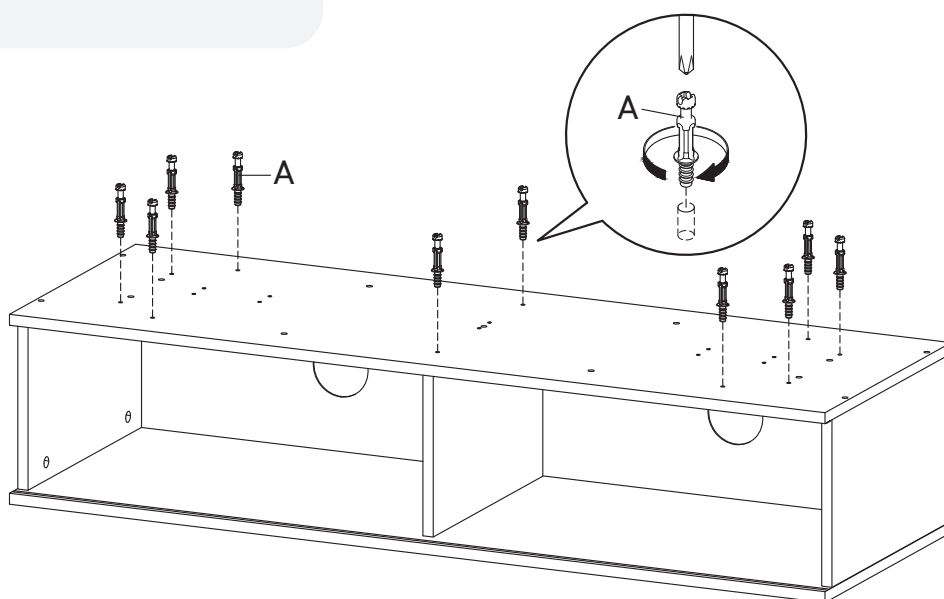
- 2** Bottom Board x1
- 11** Back Board x1



Step 4

HARDWARE

- A** Cam Bolt $\varnothing 6$ x 35 mm x10



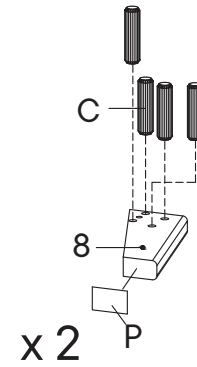
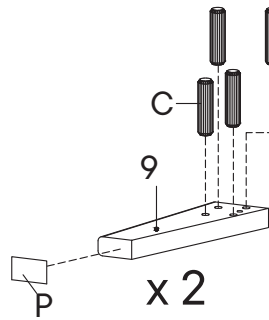
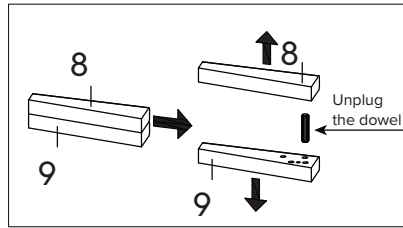
Step 5

HARDWARE

- C** Wood Dowel Ø8 x 30 mm x16
- P** Floor Protector x4

COMPONENTS

- 8** Leg 1 x2
- 9** Leg 2 x2



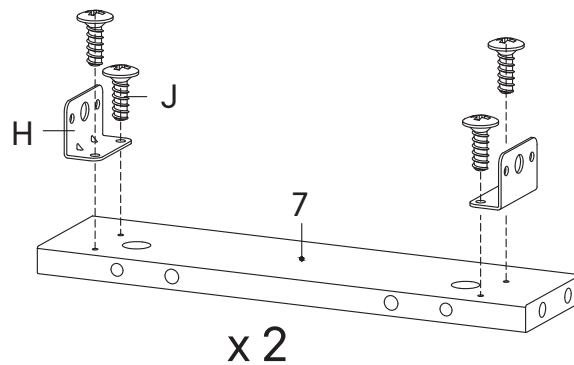
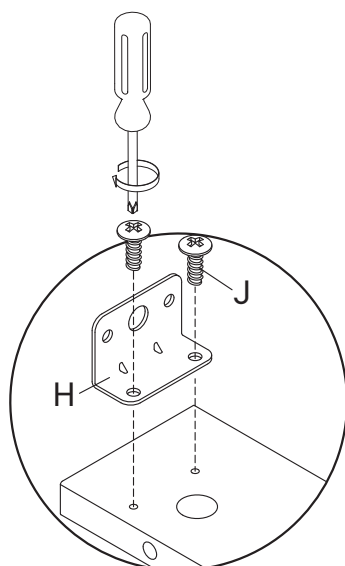
Step 6

HARDWARE

- H** Bracket x4
- J** Screw M 4.5 x 12.5 mm x8

COMPONENTS

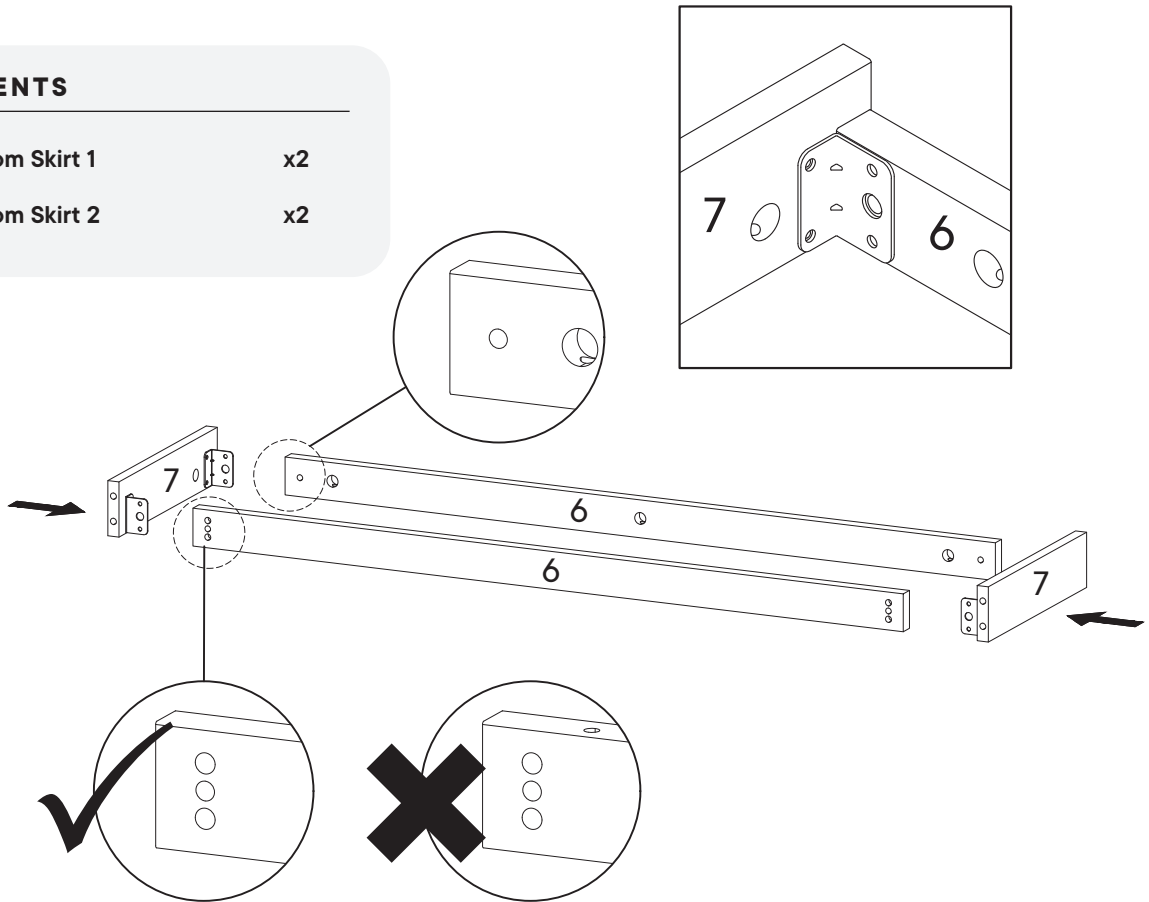
- 7** Bottom Skirt 2 x2



Step 7

COMPONENTS

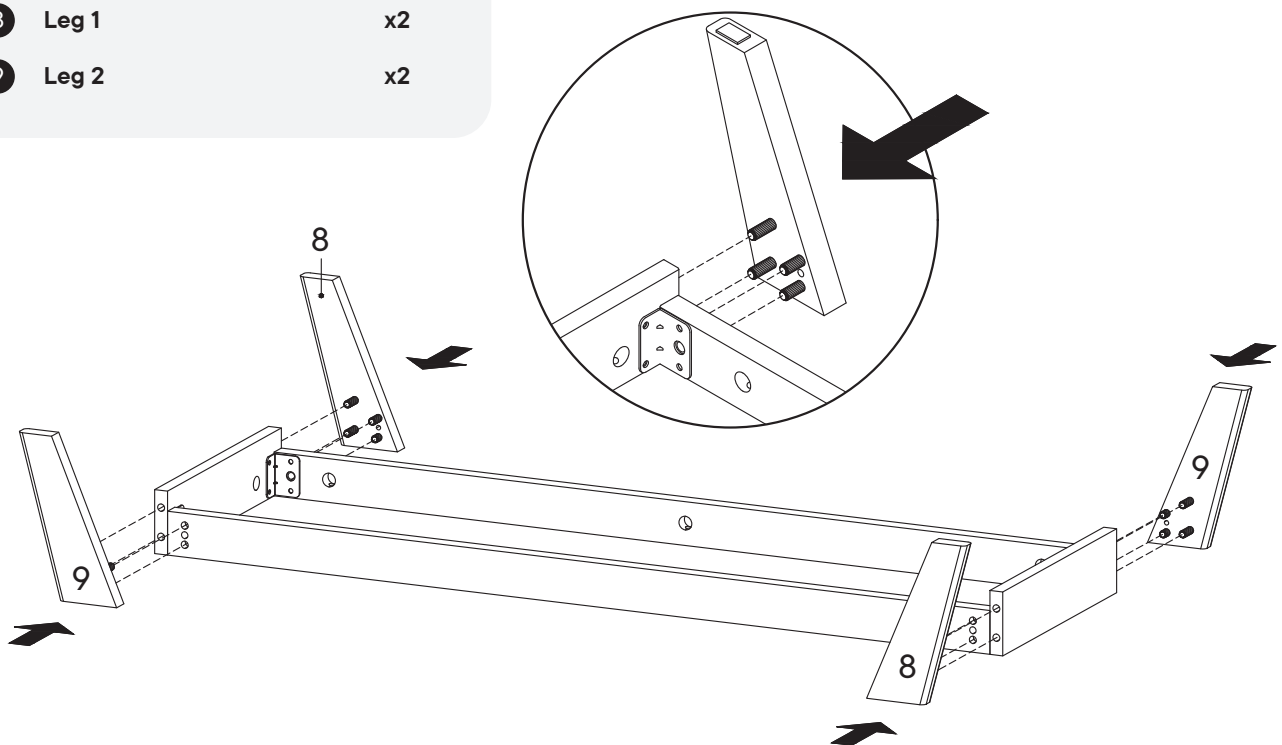
- 6 Bottom Skirt 1 x2
- 7 Bottom Skirt 2 x2



Step 8

COMPONENTS

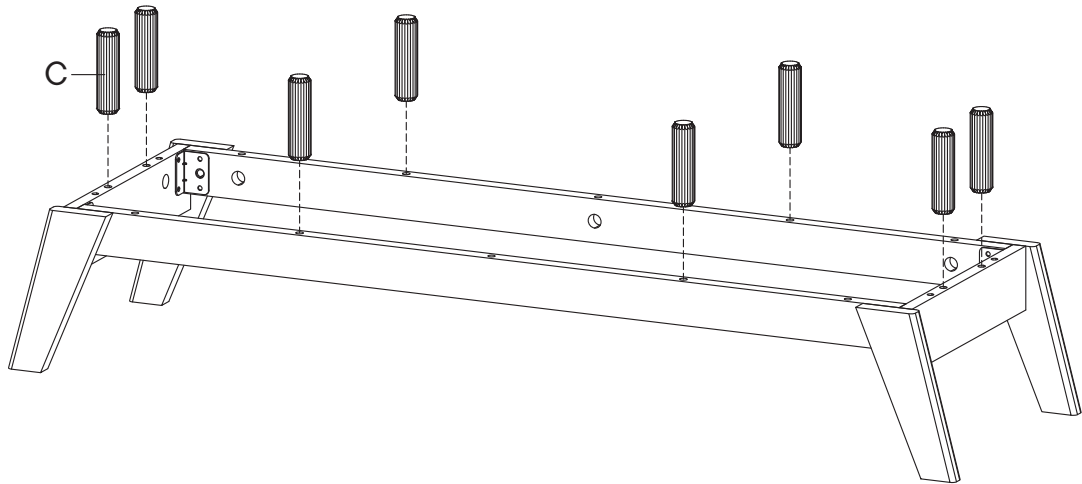
- 8 Leg 1 x2
- 9 Leg 2 x2



Step 9

HARDWARE

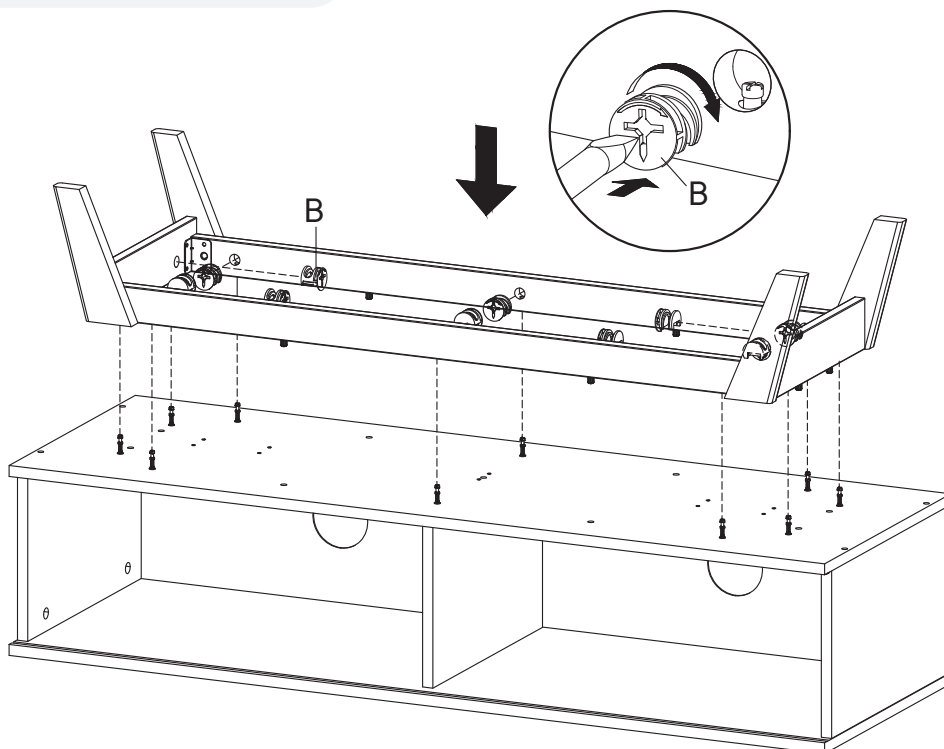
C Wood Dowel $\varnothing 8 \times 30$ mm x8



Step 10

HARDWARE

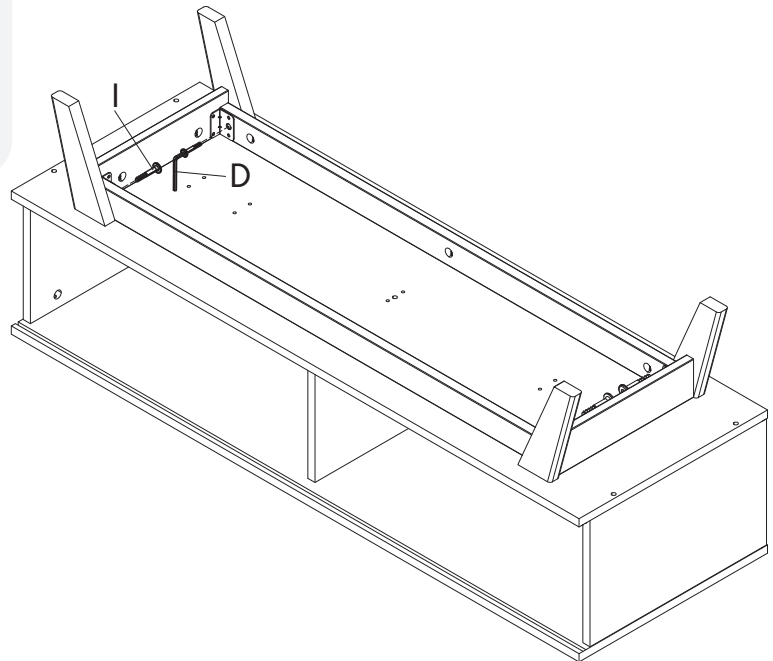
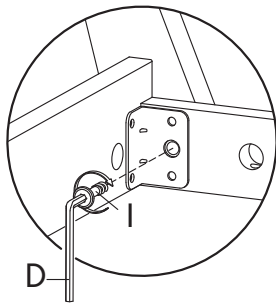
B Cam Lock $\varnothing 15$ mm x10



Step 11

HARDWARE

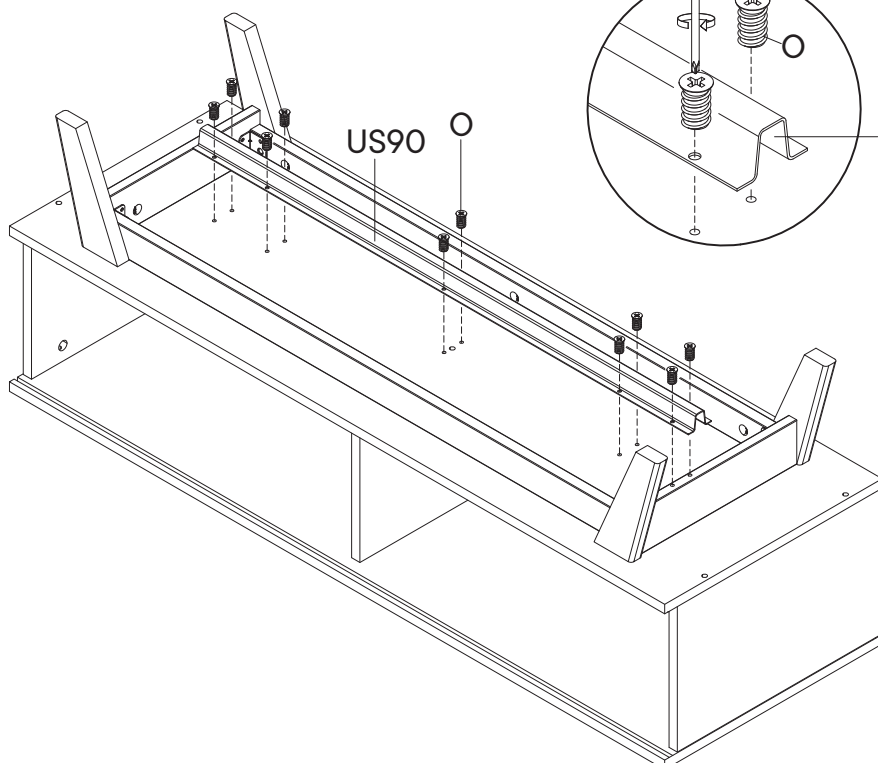
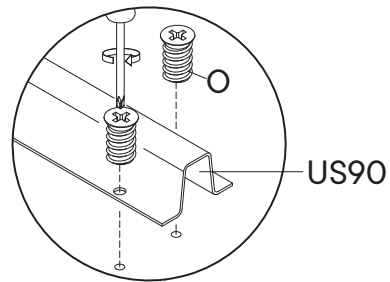
- D** Allen Key x1
- I** Screw M 6.4 x 35 mm x4



Step 12

HARDWARE

- O** Screw M 6 x 12.5 mm x10
- US90** Anti-Deflection Bar x1



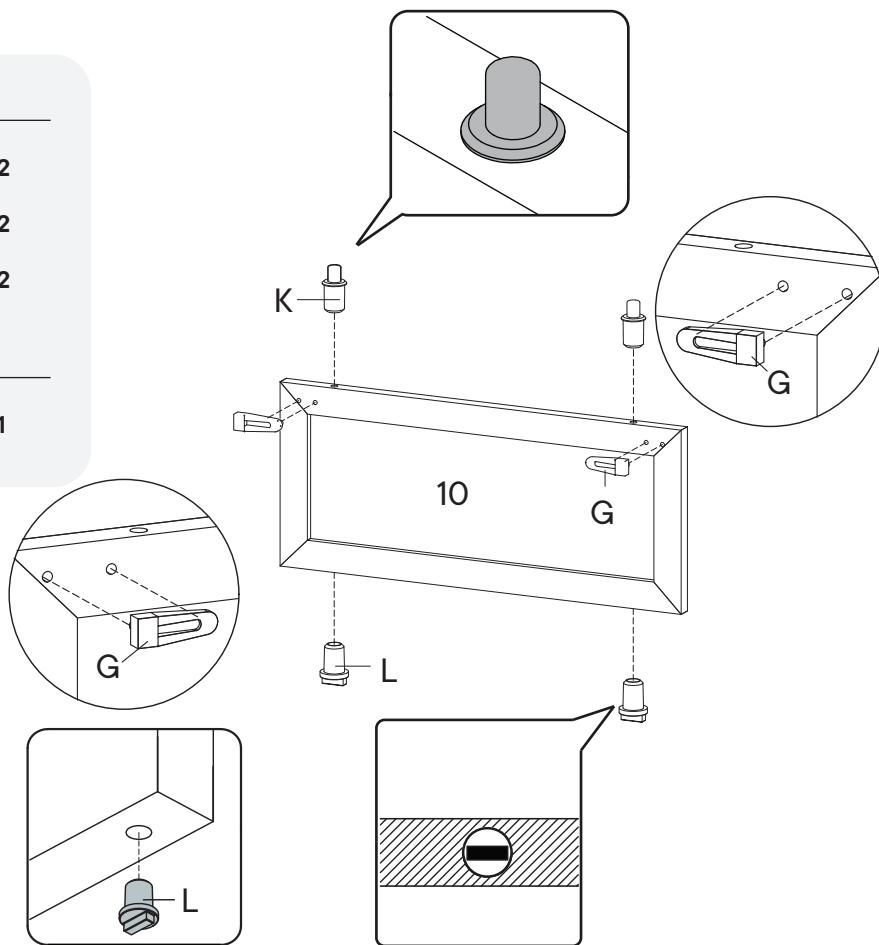
Step 13

HARDWARE

- G** Stopper x2
- K** Pin Sliding Top x2
- L** Pin Sliding Bottom x2

COMPONENTS

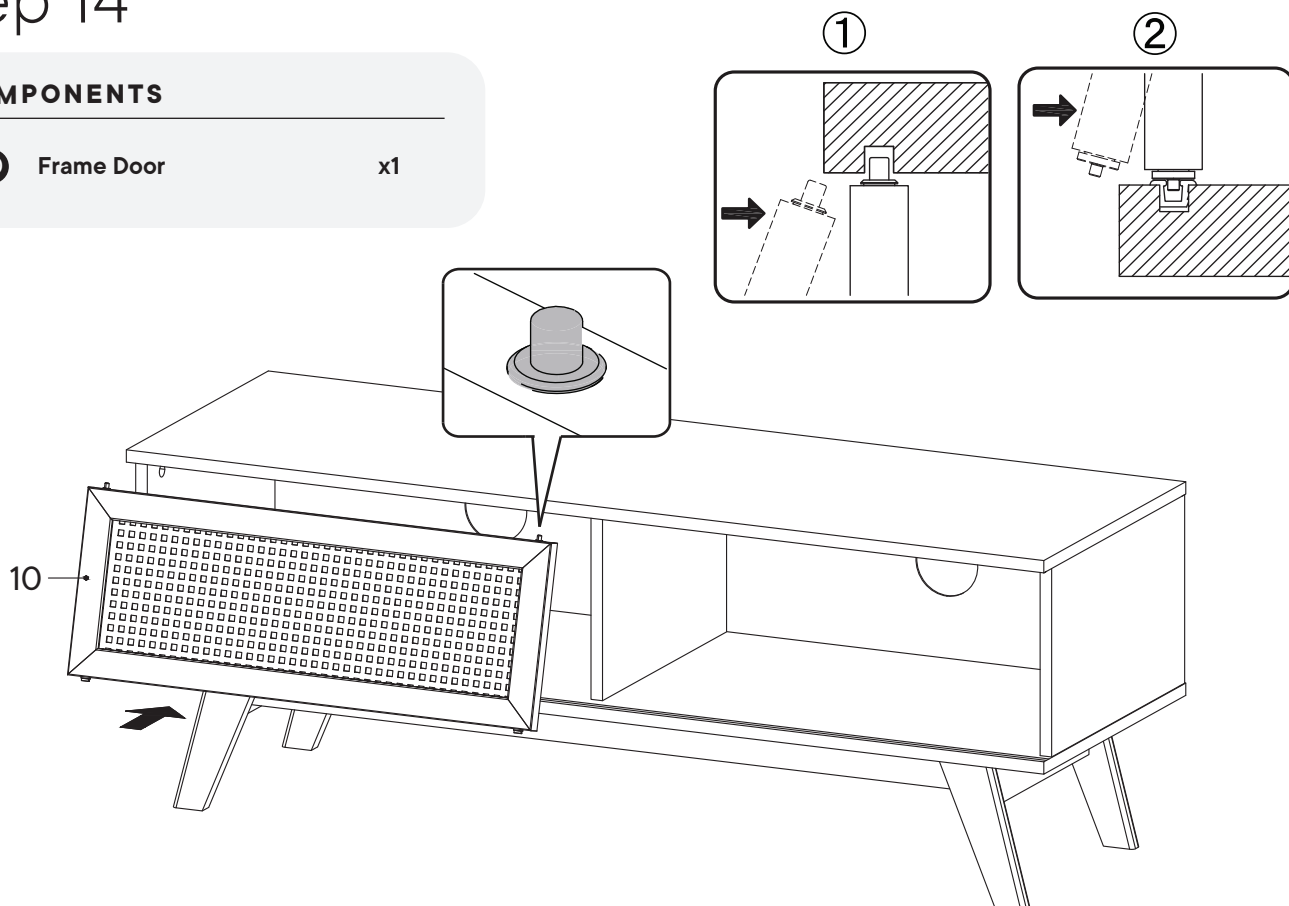
- 10** Frame Door x1



Step 14

COMPONENTS

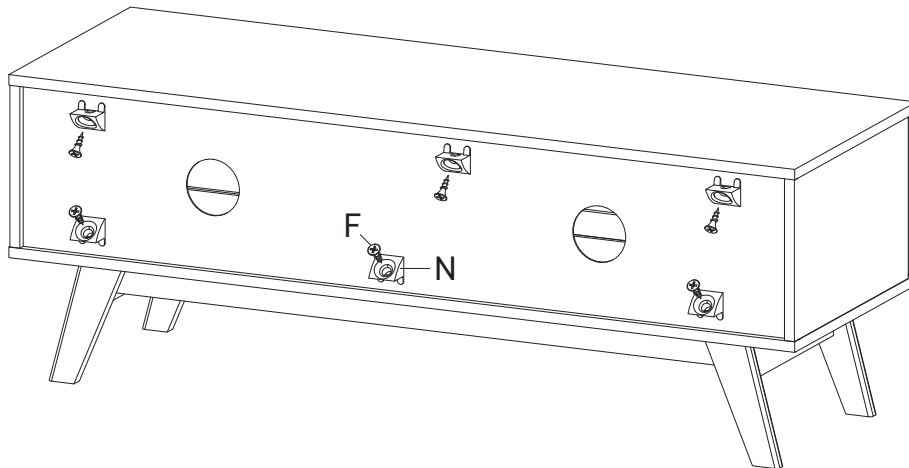
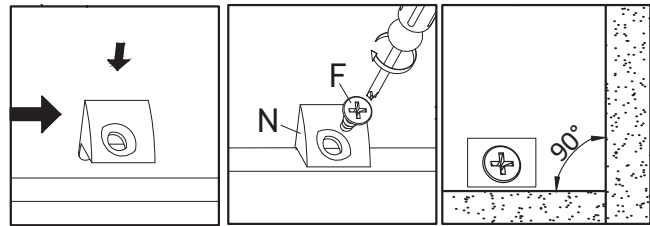
- 10** Frame Door x1



Step 15

HARDWARE

- F** Screw M 3.5 x 15.5 mm x6
- N** Wedge x6



Great job!

TV Stand assembly is complete.

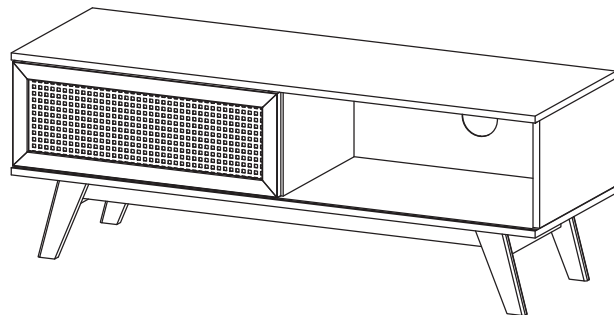
♥ CARING FOR YOUR ITEM

Indoor use only.

Not contract grade.

Clean using a non-abrasive cloth and a mild cleaner.

Never use harsh chemicals, as they could damage the finish or integrity of the item.



CONNECT WITH US!   

Tag us @modway_furniture and #modway for a chance to be featured.