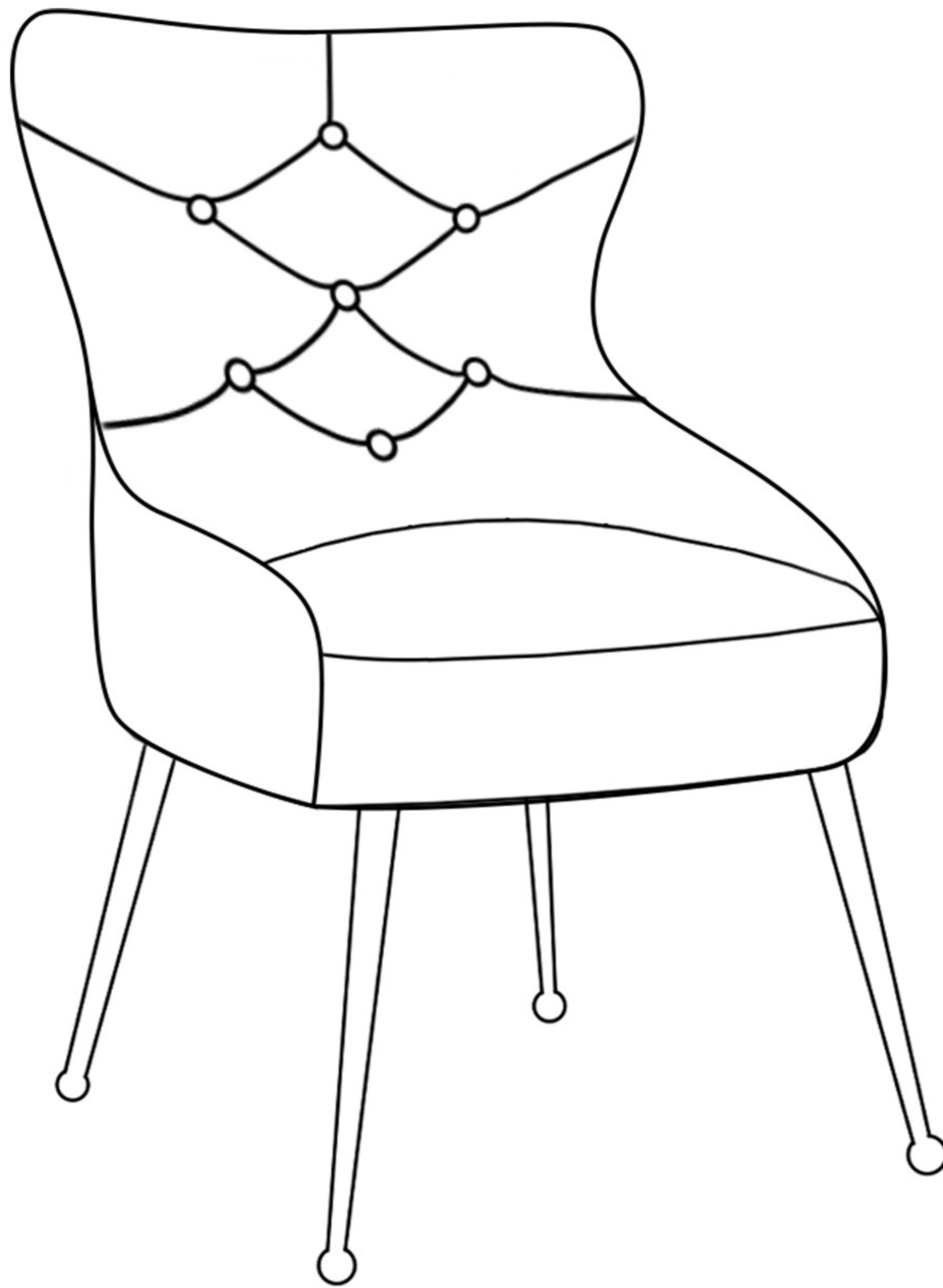


ASSEMBLY INSTRUCTION



Dear customer,

Thank you very much for buying our item.

Please read the assembly instruction carefully before assembly.

Notices:

- Verify that all parts are present and in good condition.
- Put the chair on a clear flat surface.
- If you find that four legs are unlevel after assembly, you can use adjustable feet to keep four legs level.

Contact us

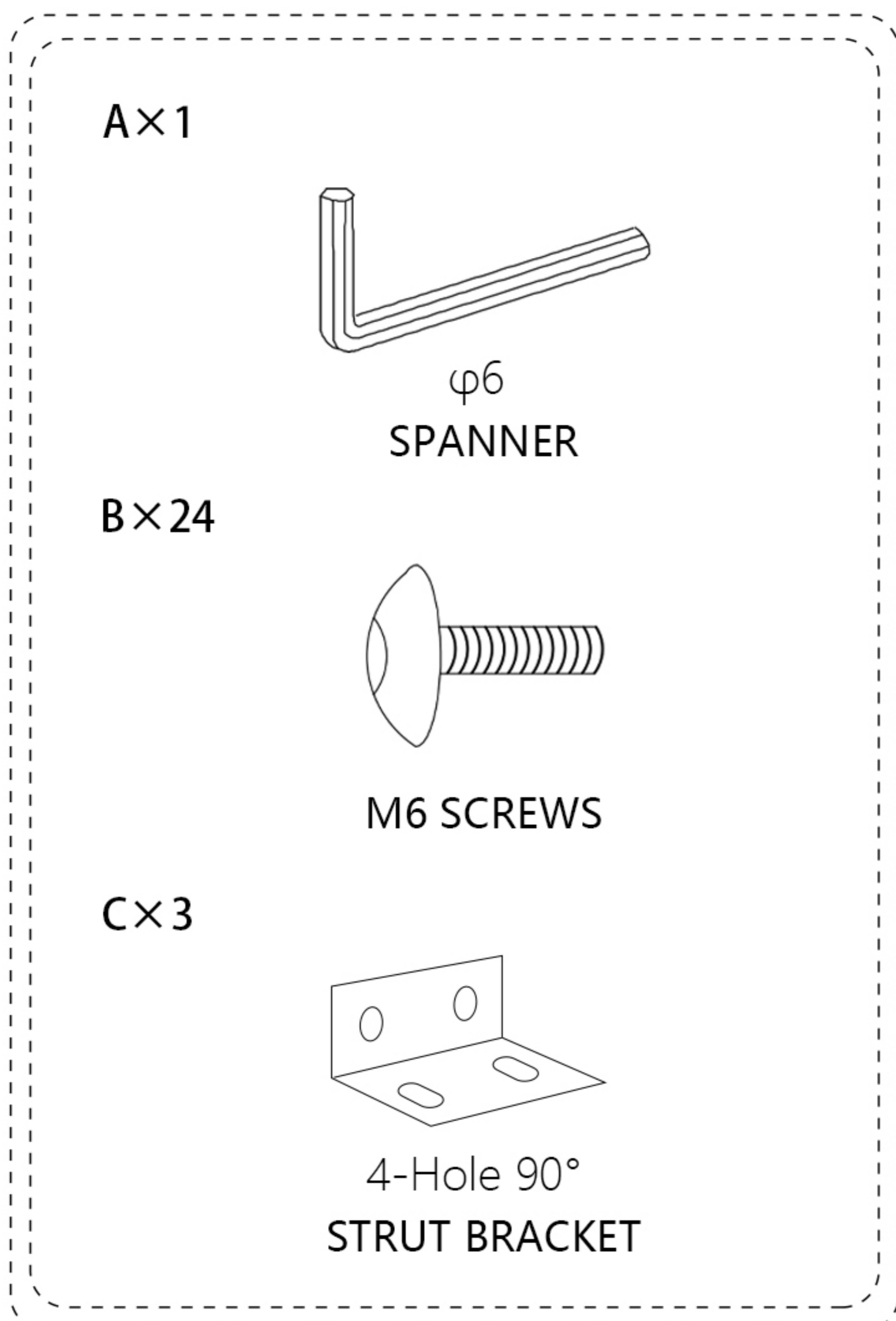
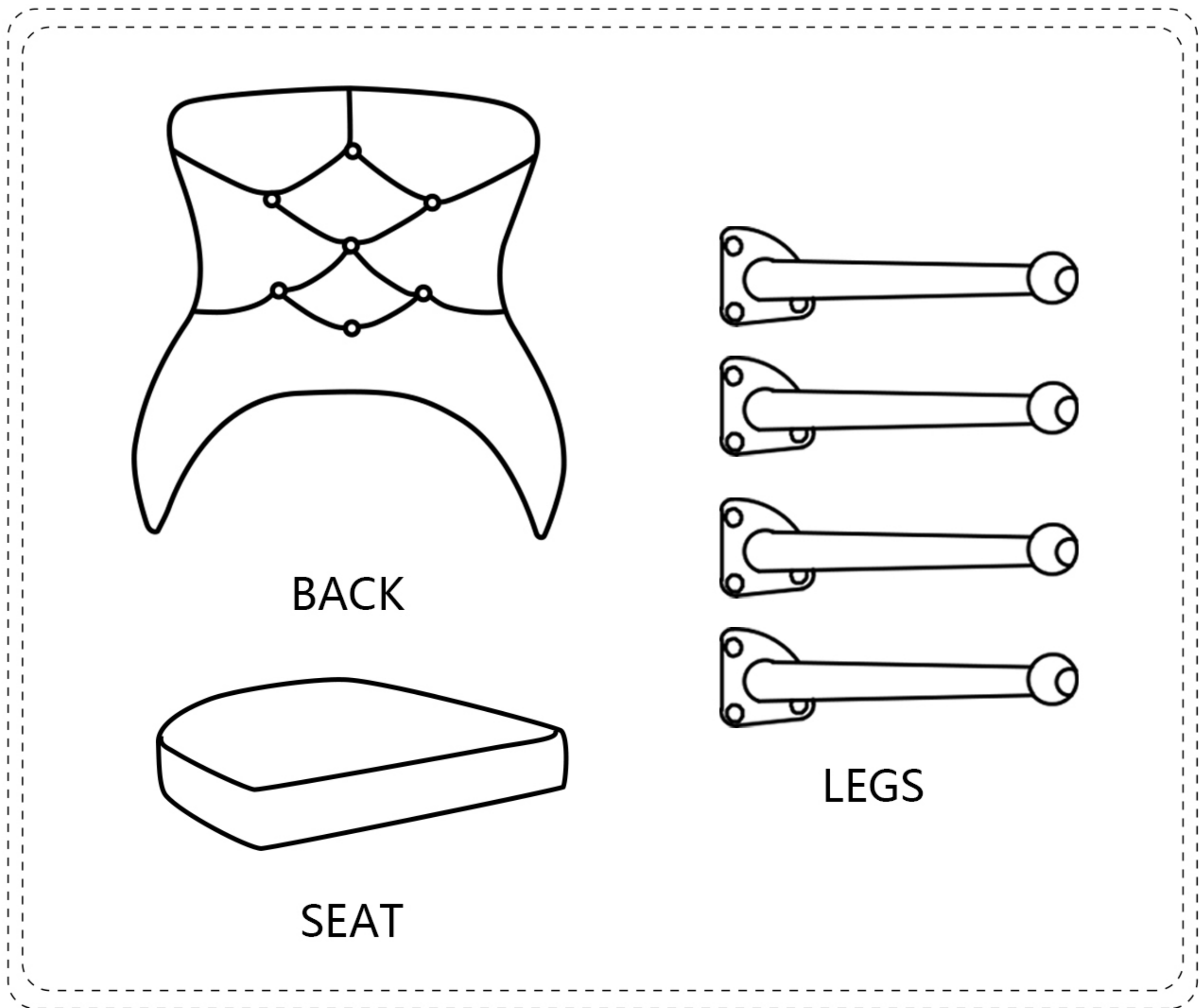
If there are installation problems, damage, missing parts, or any questions and concerns, please contact the shop where you bought it so we can make things right.

If the product is damaged, please send the following information:

- Photos that show the reason for your claim/damage.
- Photos of the packaging (inside and outside).

Thank you very much for your support!

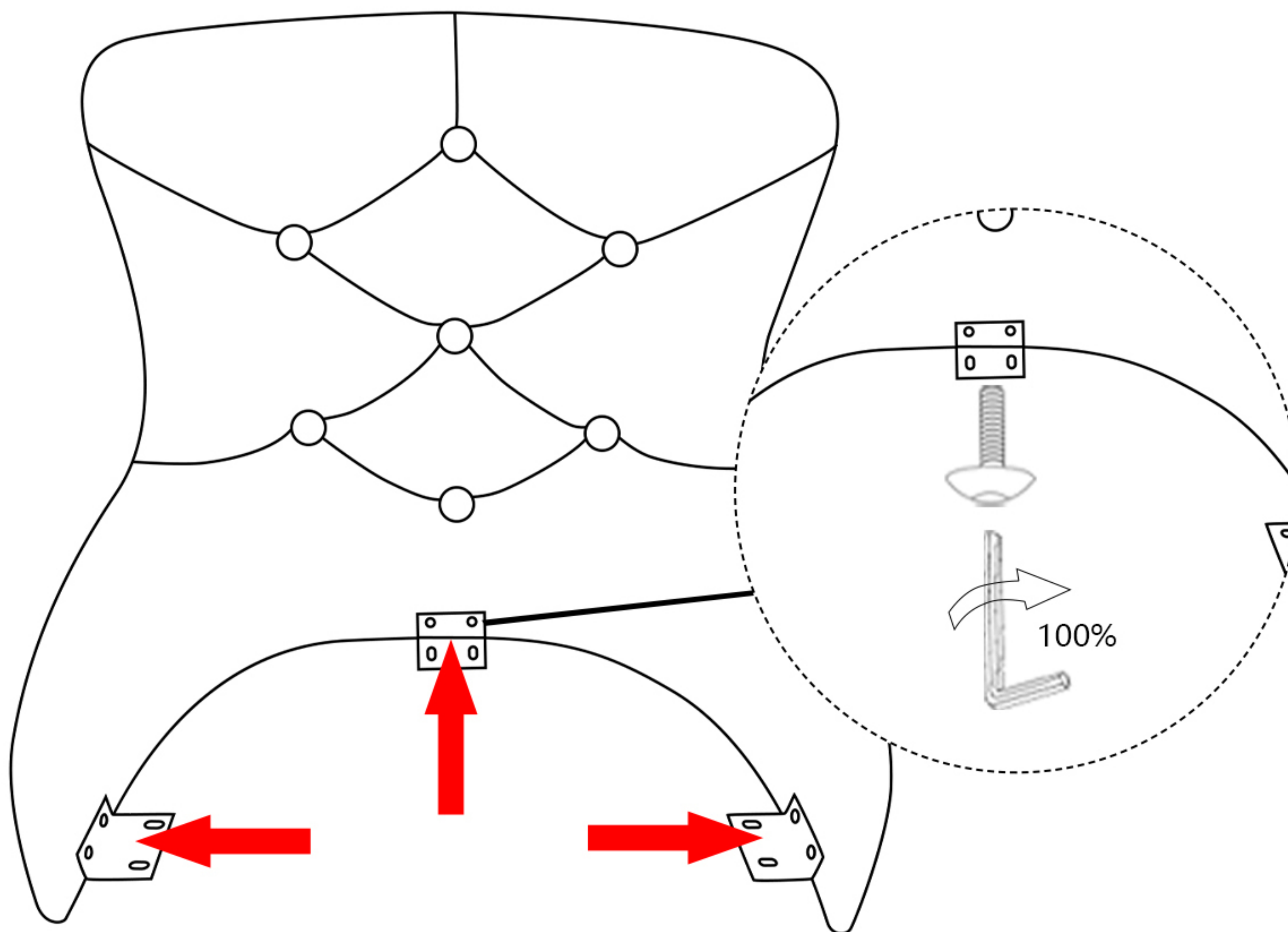
Package Contents



Step by Step Guide

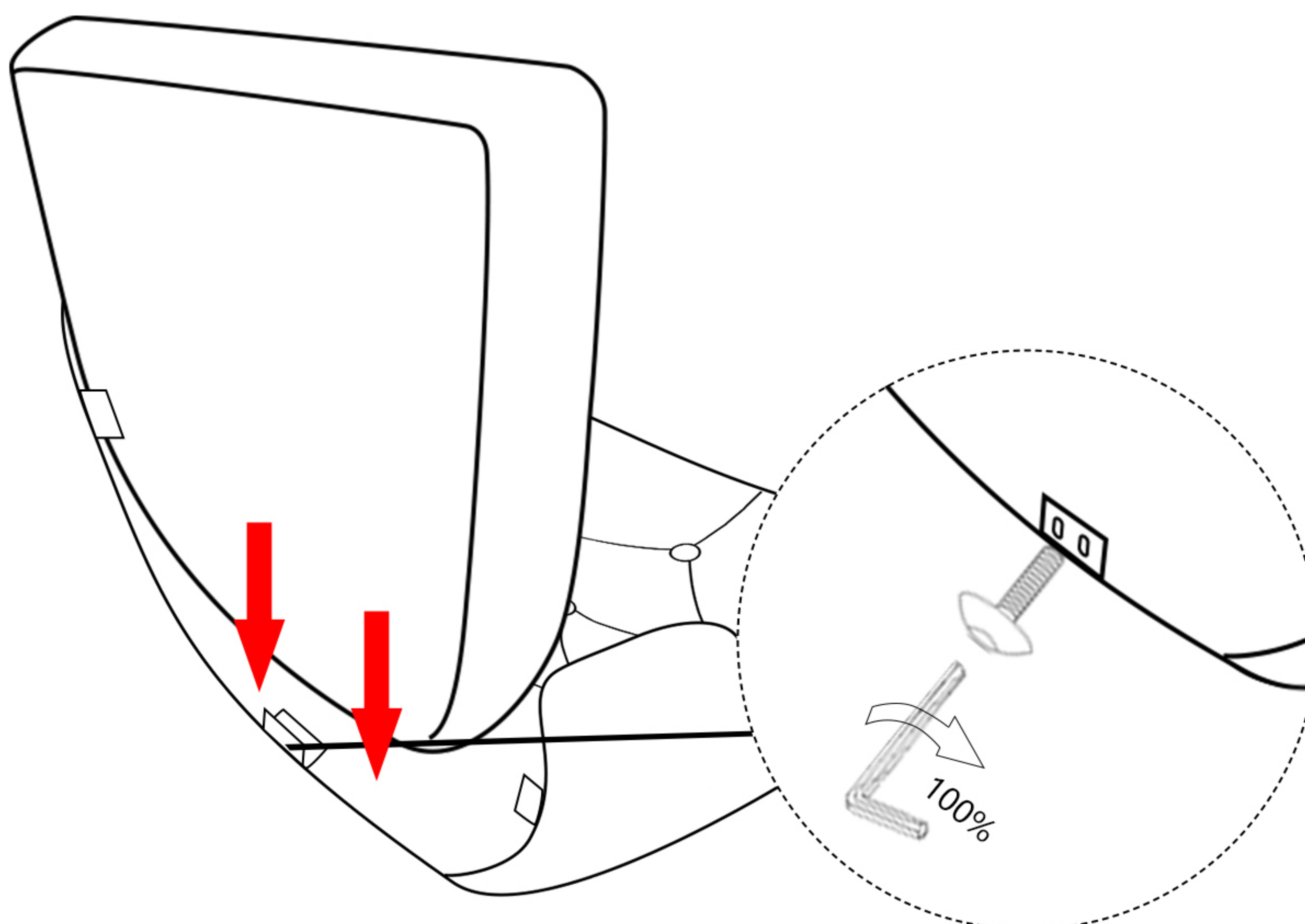
- 1 Take the strut bracket to align the hole of the backrest by using screws.

Tighten screws completely.

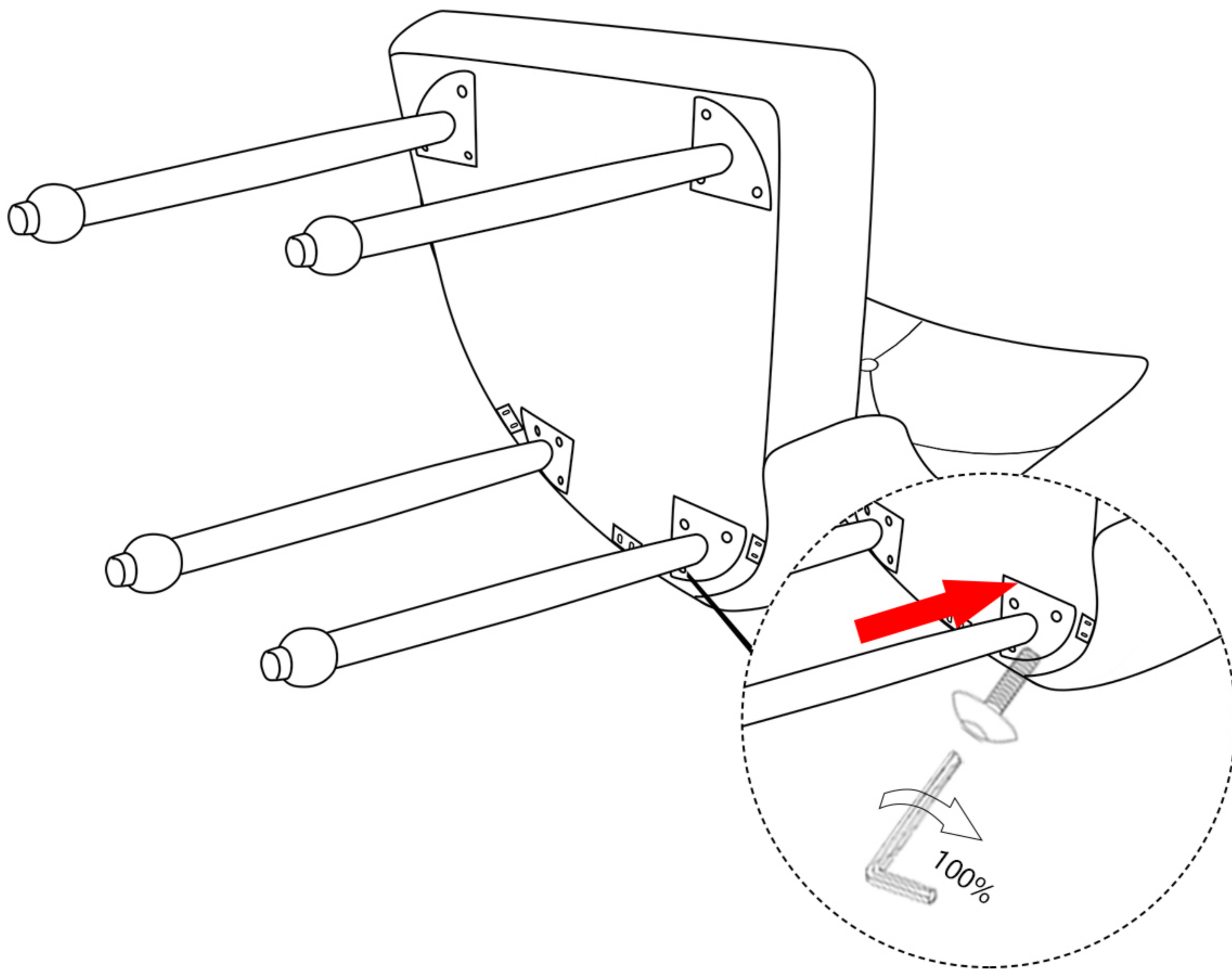


- 2 Put the seat and backrest together.

Put all the screws in the screw holes first, and then tighten all the screws completely.



- 3** Take legs to align the hole of the seat by using screws. Tighten screws completely.



- 4** If you find that four legs are unlevel after assembly, adjustable foot pegs can help adjust the level.

