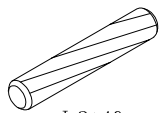
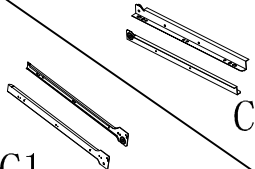

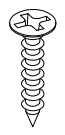
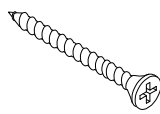
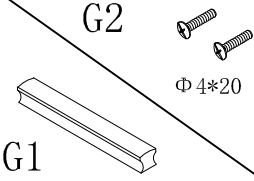
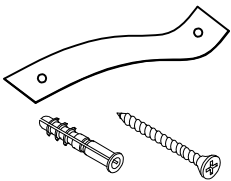
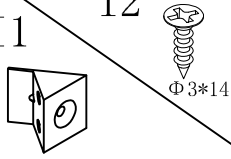
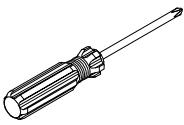
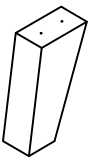
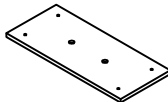
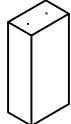

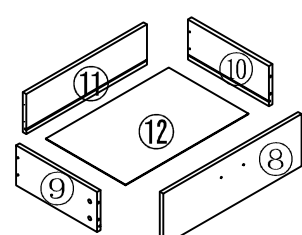
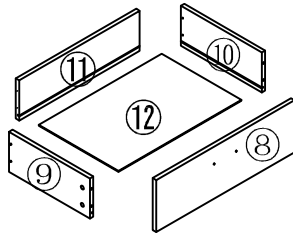
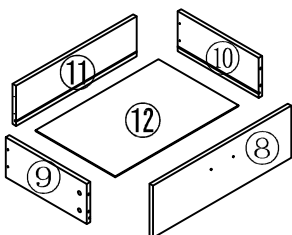
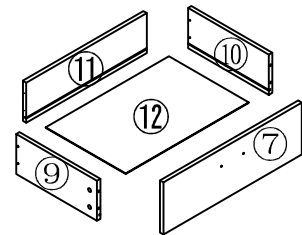
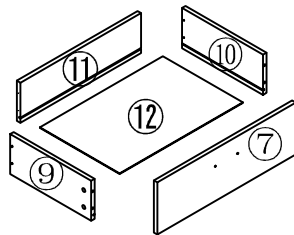
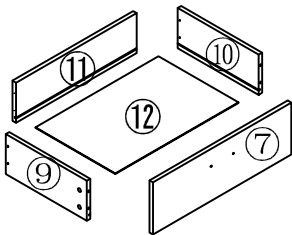
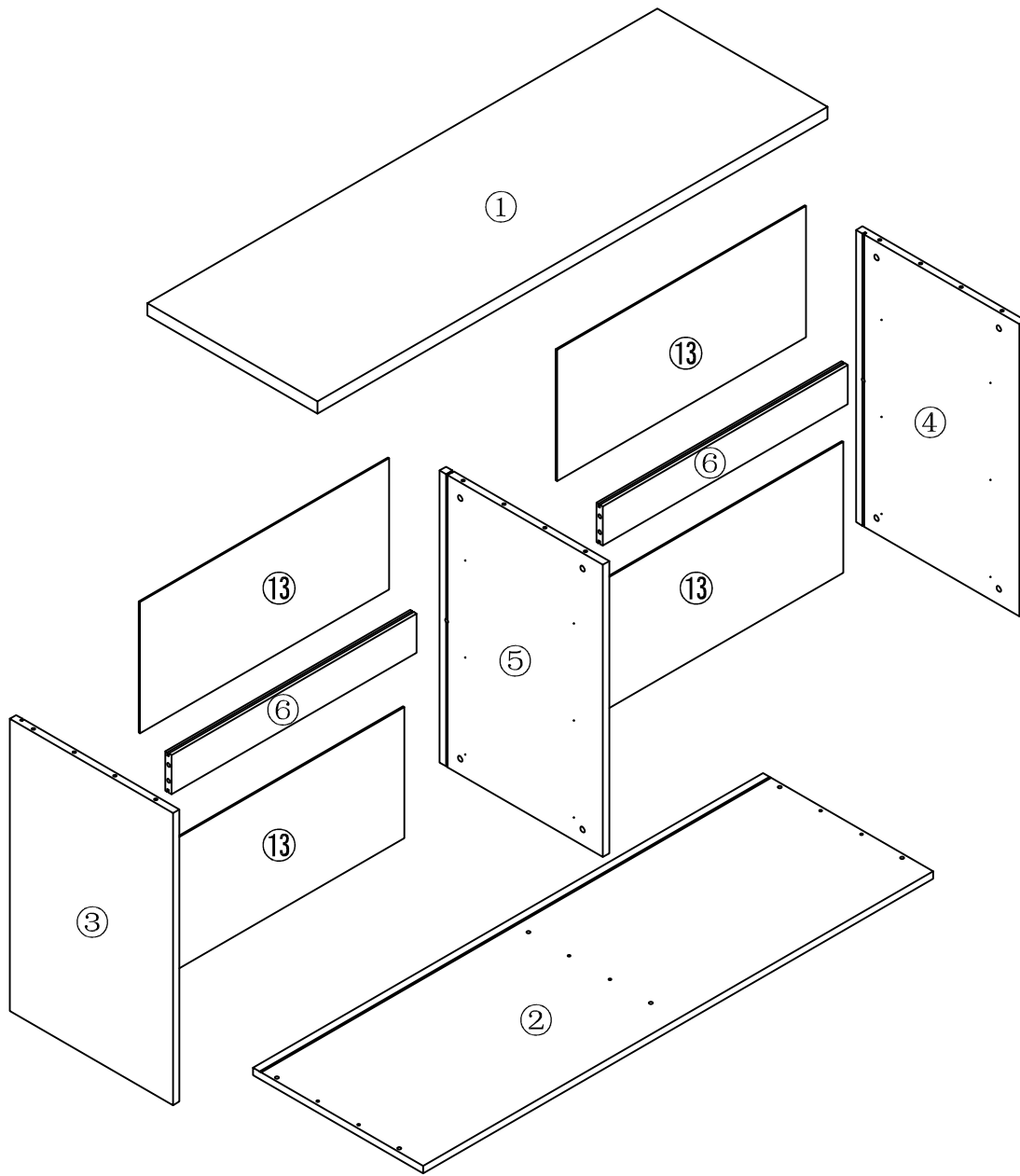
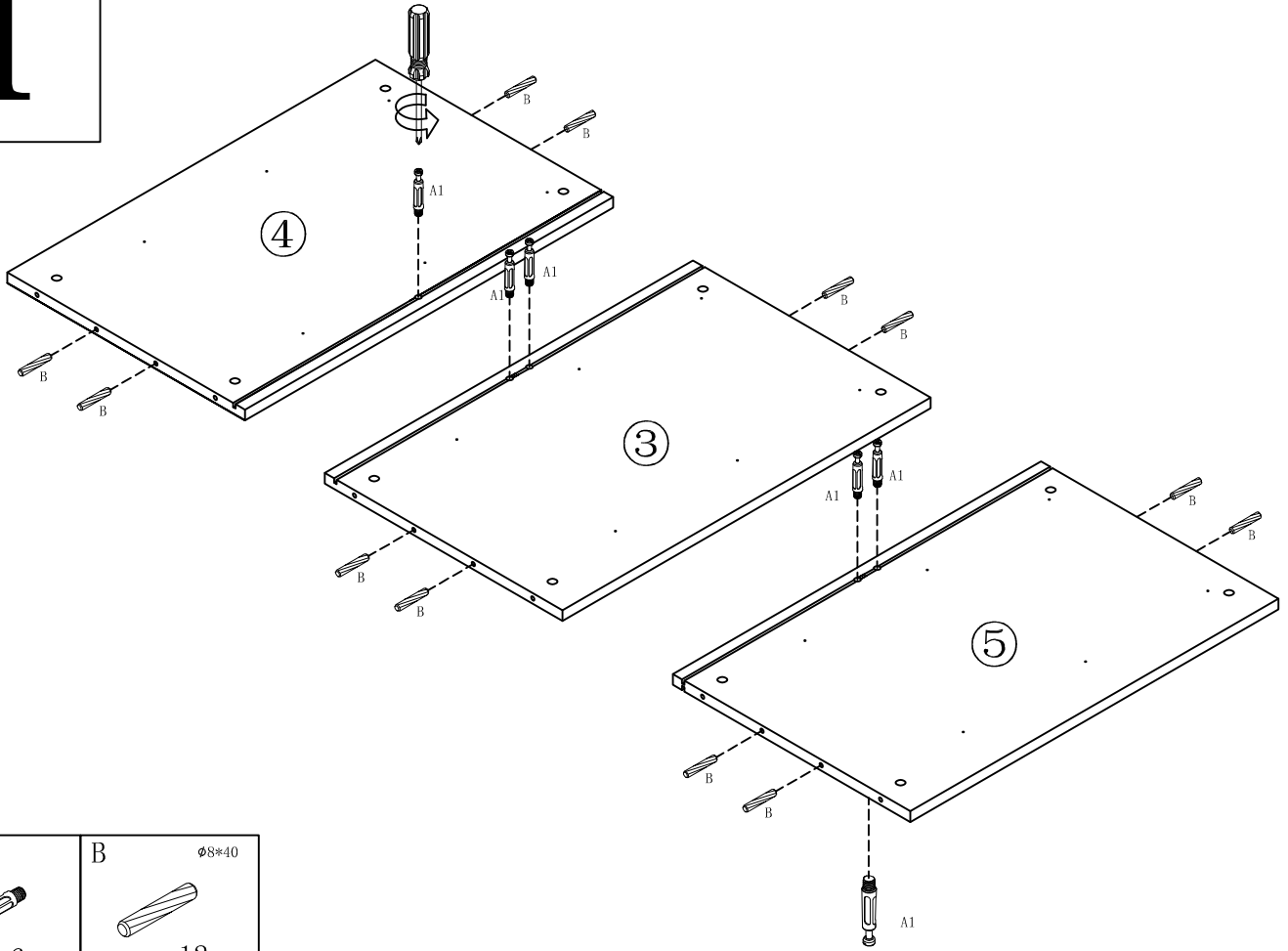

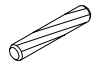
 <p>A1 A2</p>	 <p><math>\Phi 8*40</math></p>	 <p>C1 C2</p>	 <p><math>\Phi 3.5*14</math></p>	 <p><math>\Phi 3.5*25</math></p>
A × 42	B × 12	C × 6	D × 70	E × 10
 <p><math>\Phi 3.5*35</math></p>	 <p>G1 G2 <math>\Phi 4*20</math></p>	 <p>H</p>	 <p>I1 I2 <math>\Phi 3*14</math></p>	
F × 24	G × 6	H × 2	I × 16	J × 1
			 <p><math>\Phi 20</math></p>	
K × 4	L × 5	M × 1	N × 42	

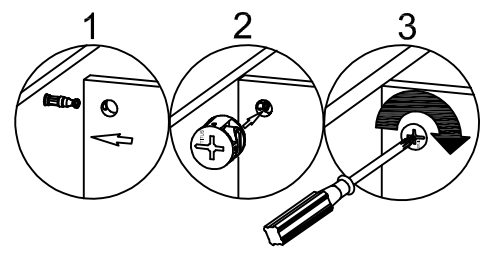
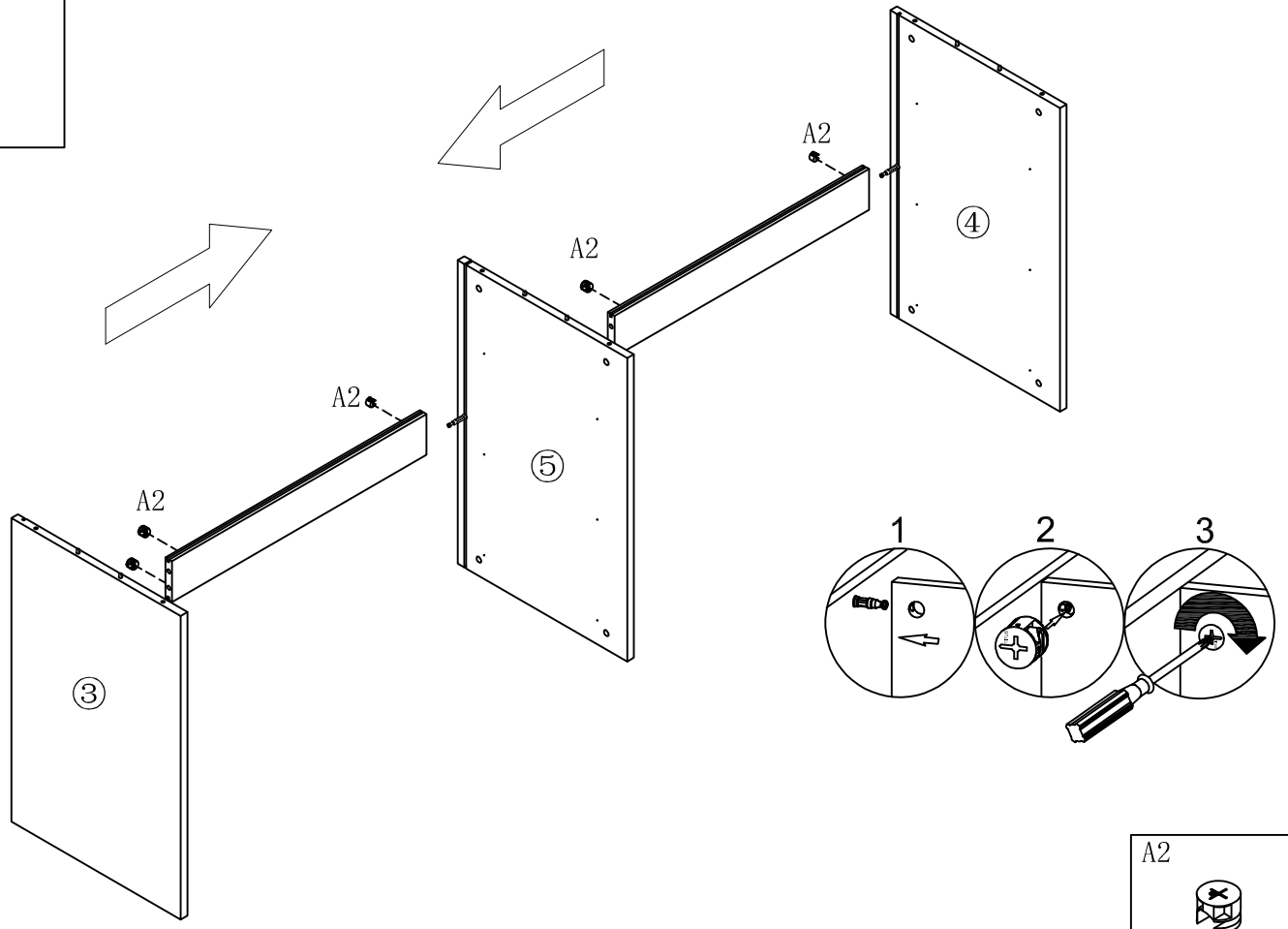



# 1



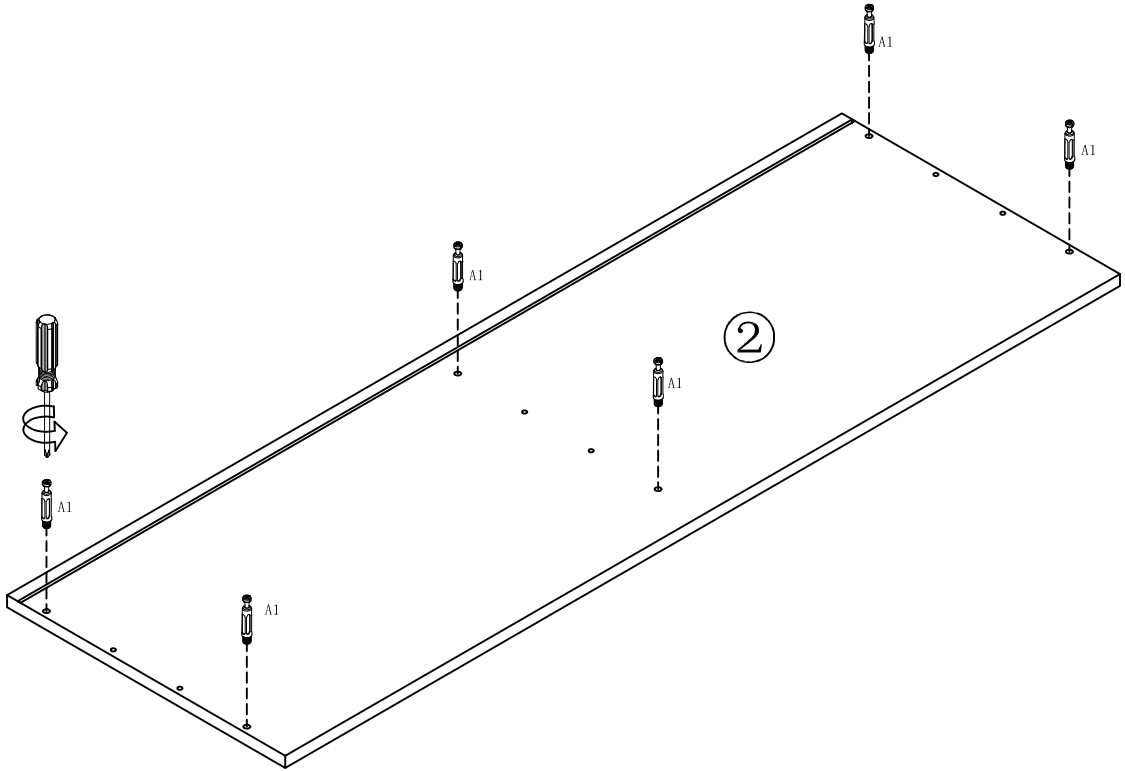
A1	B
	
6pcs	12pcs

# 2



A2

6pcs

# 3

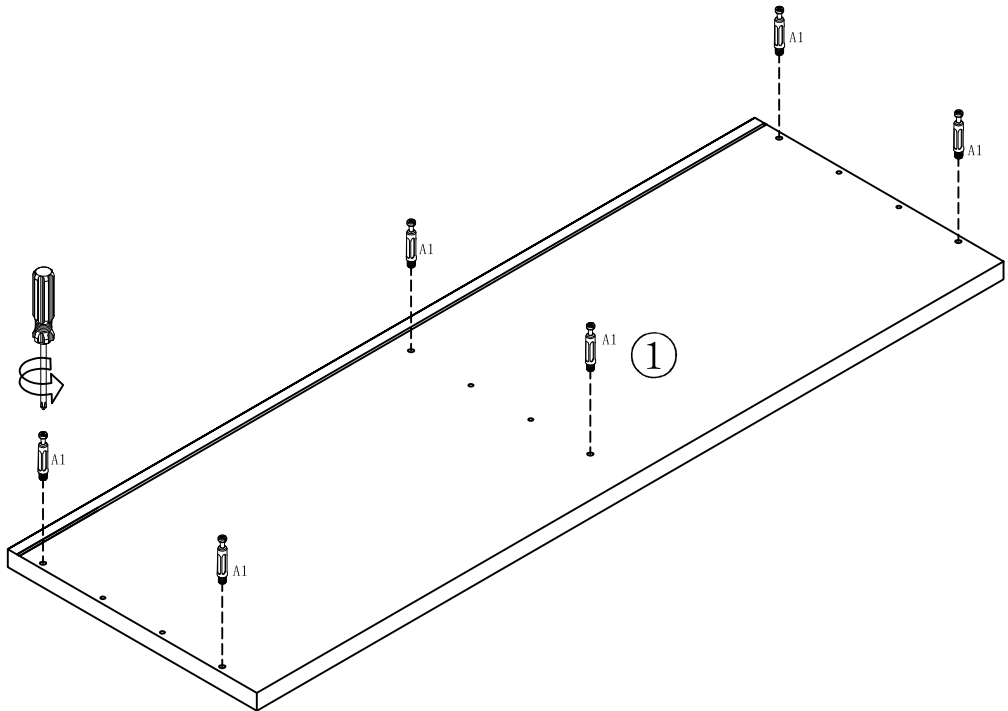


A1



6pcs

# 4

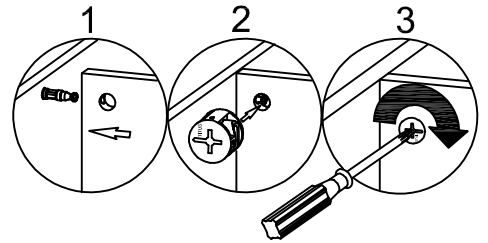
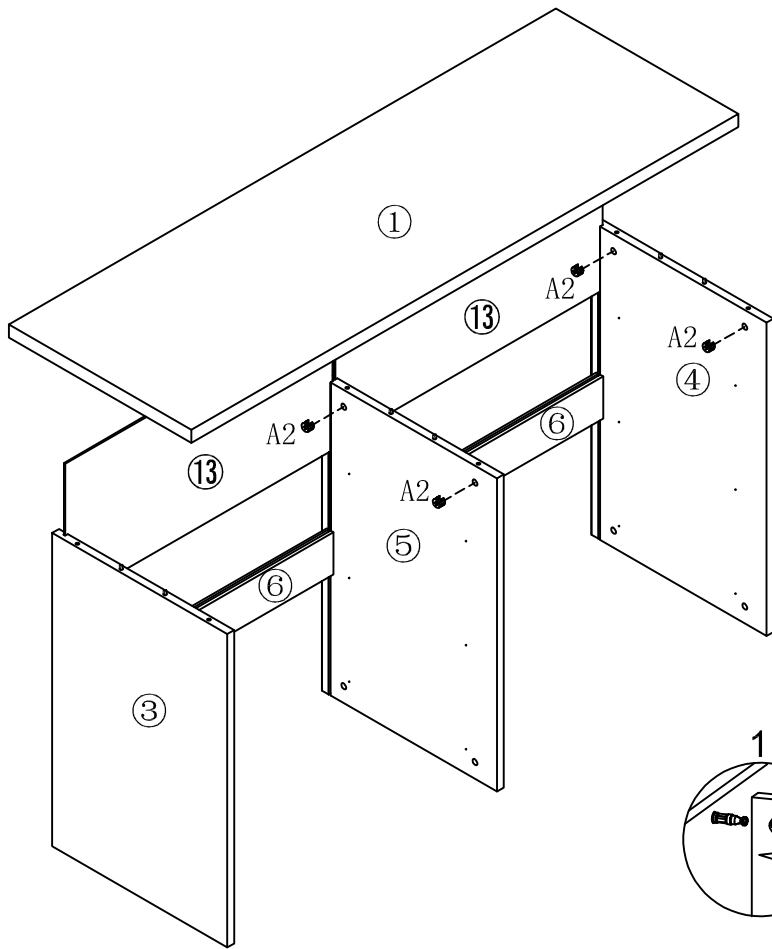
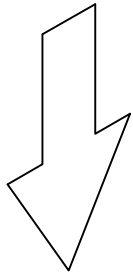


A1



6pcs

# 5

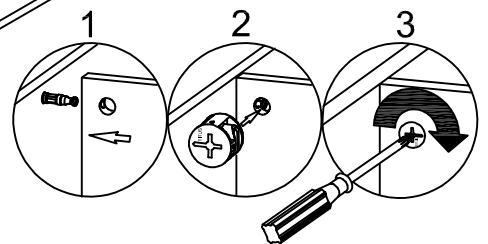
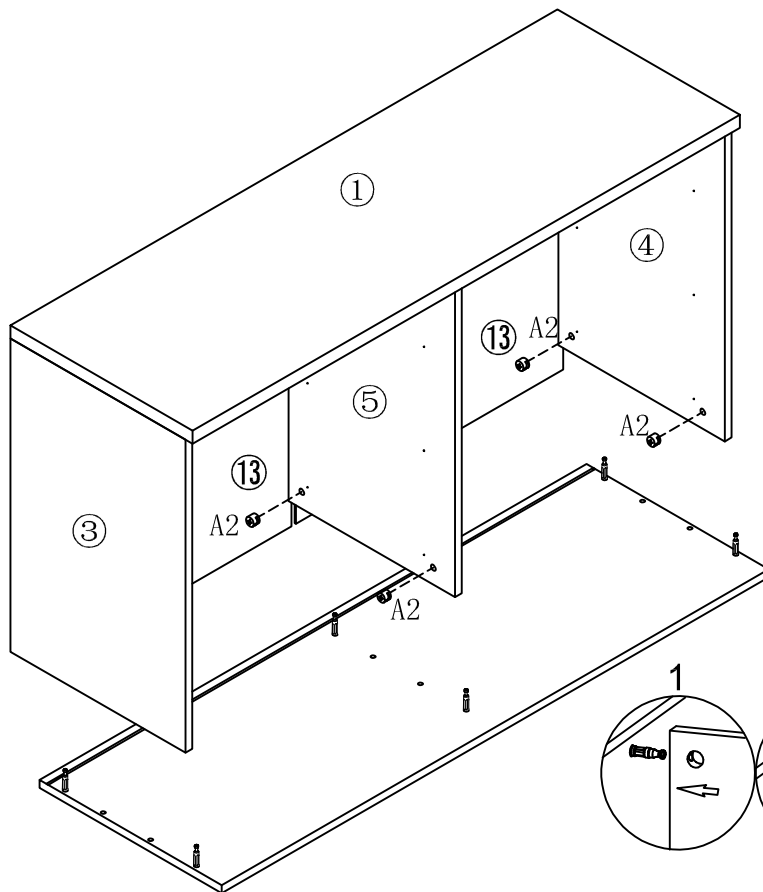
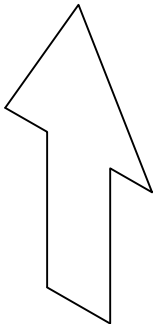


A2



6pcs

# 6

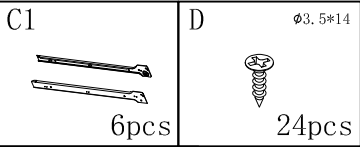
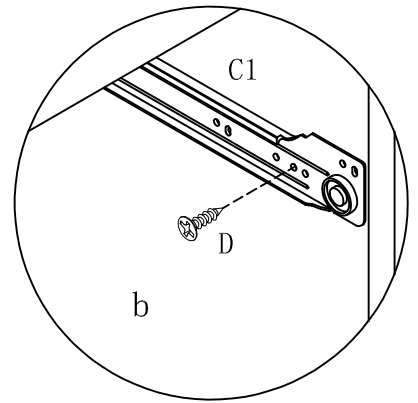
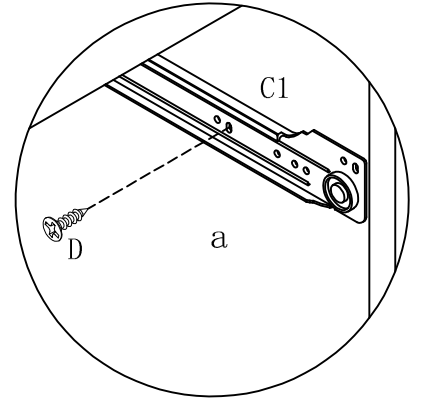
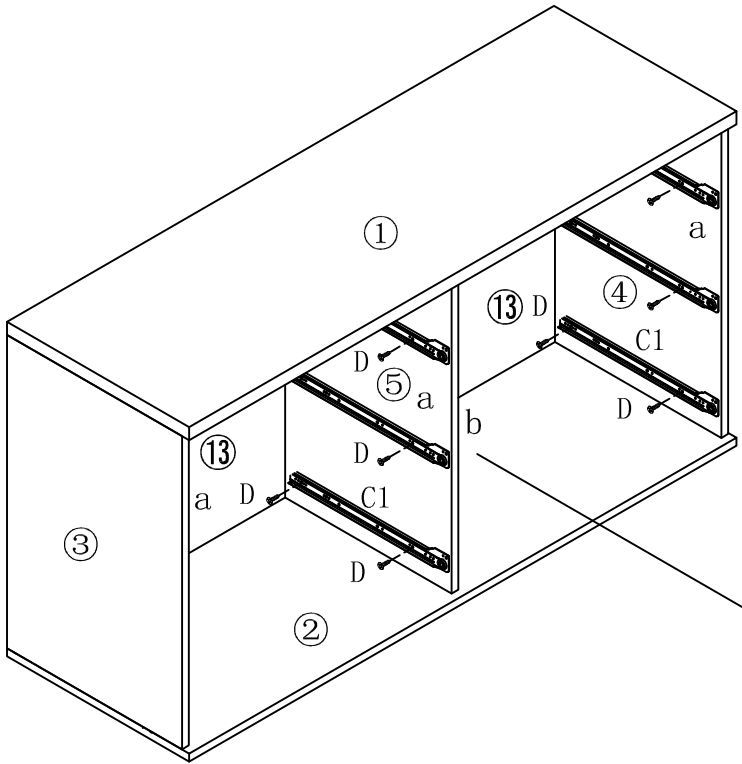


A2

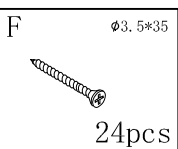
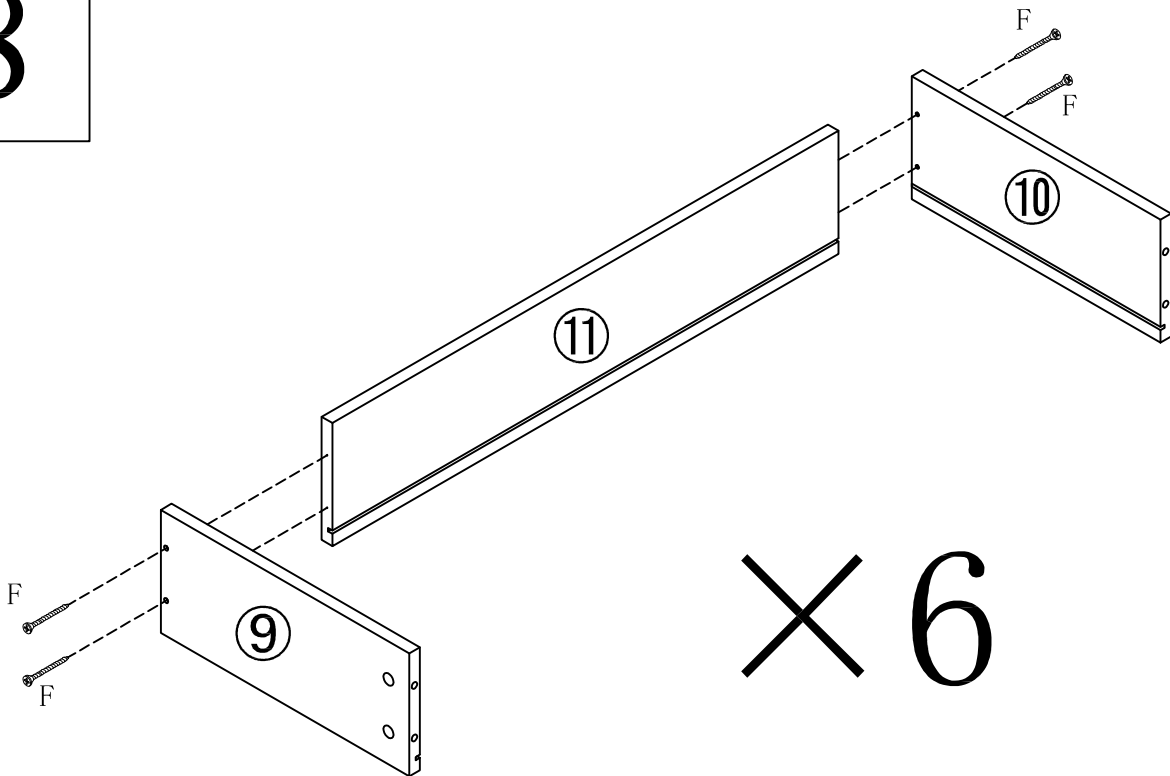


6pcs

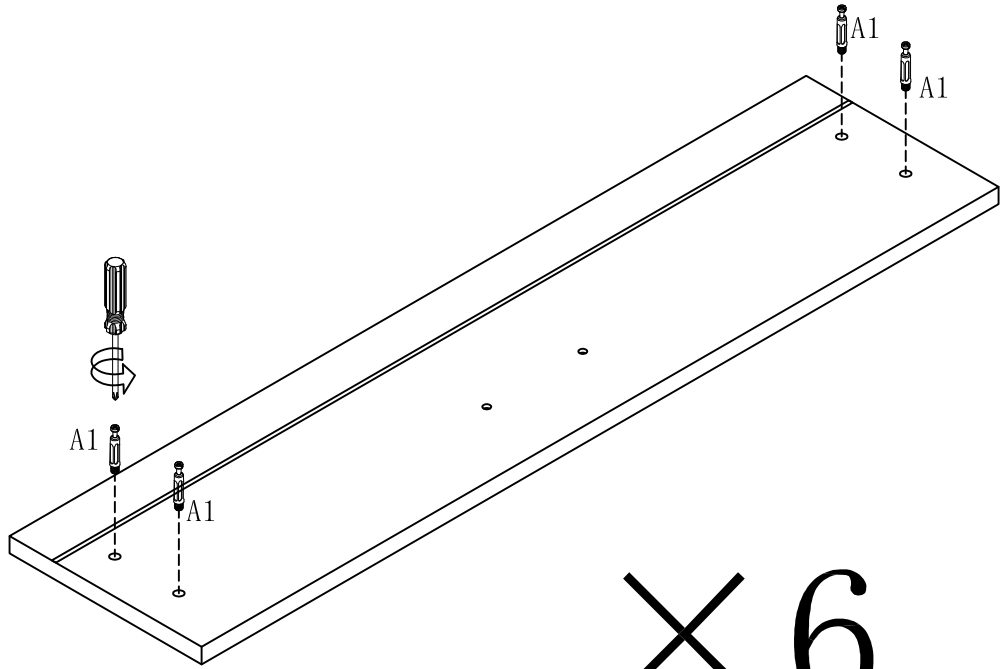
# 7



# 8



# 9

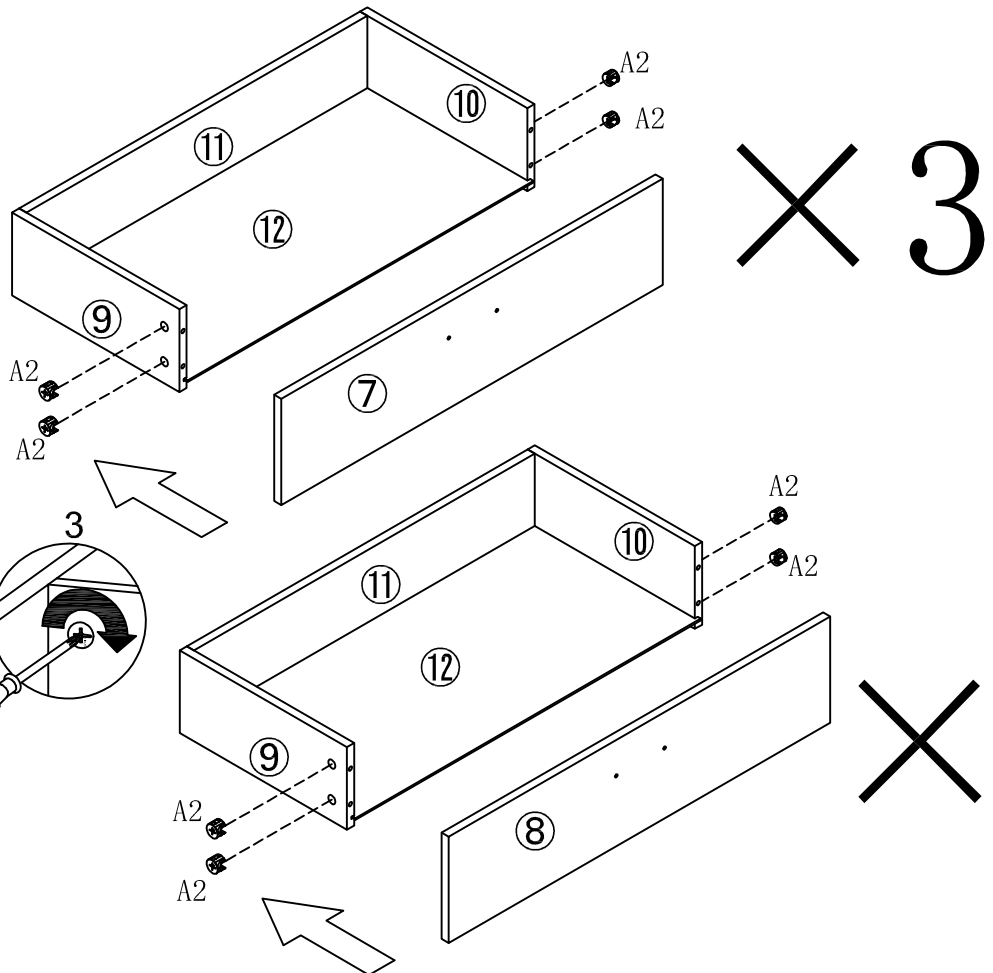


A1



24pcs

# 10

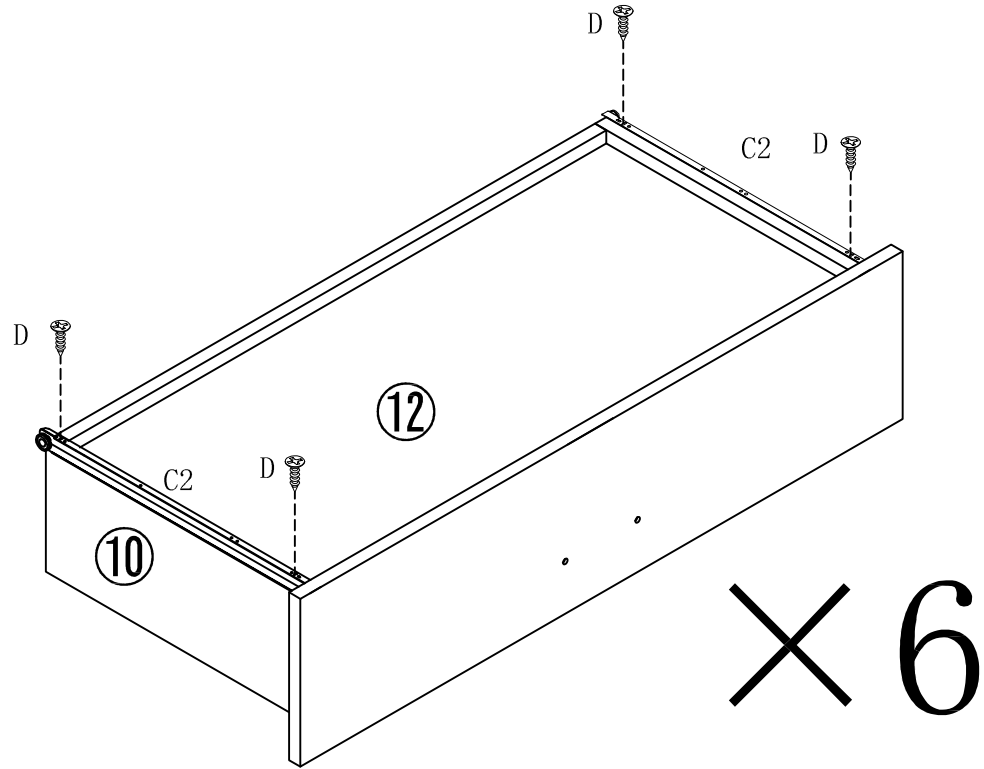


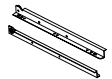

A2



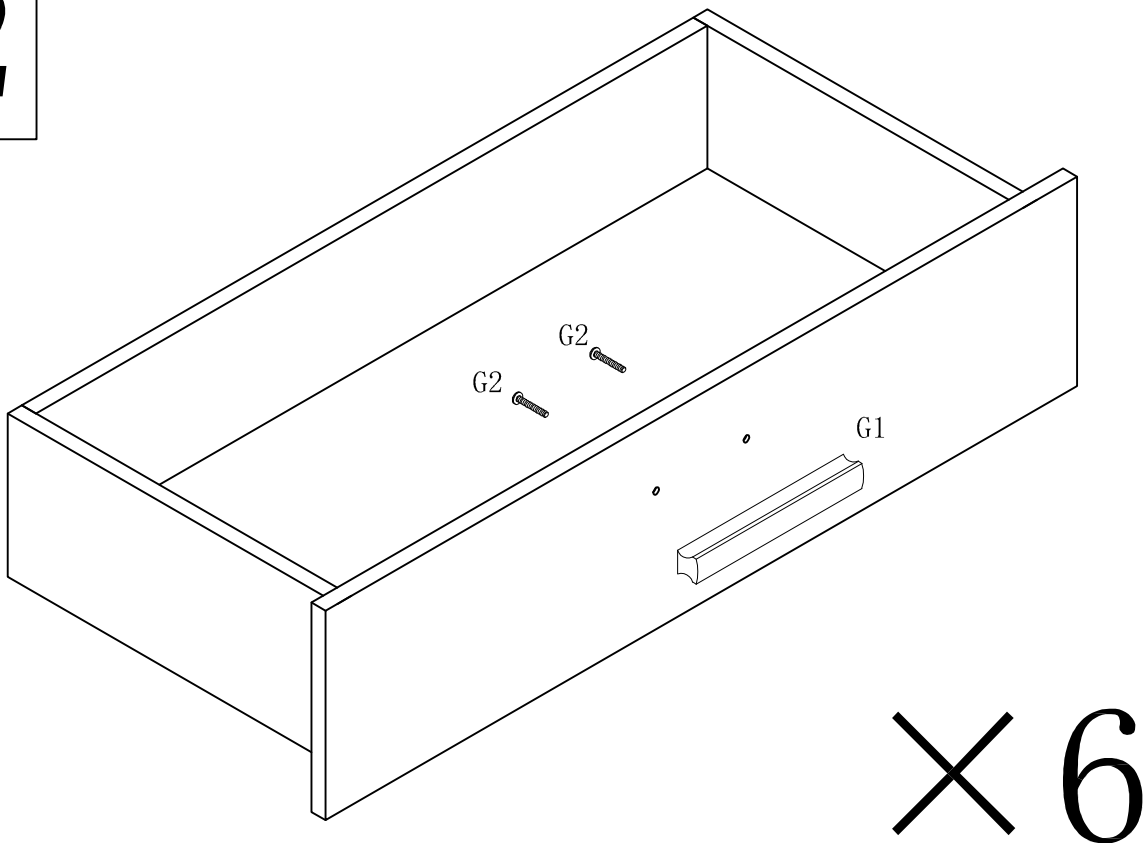
24pcs

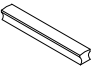

# 11



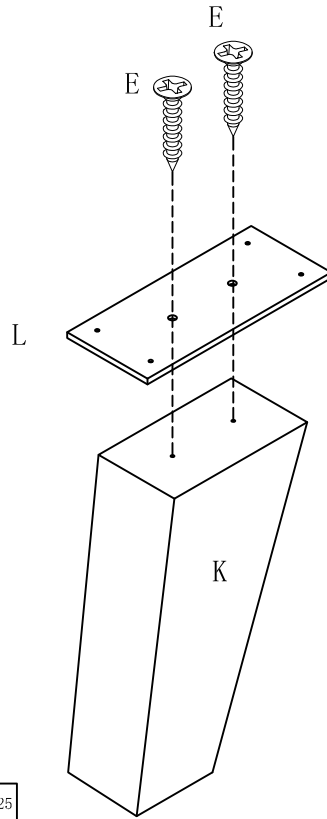
C2	D	∅3.5*14
		
6pcs	24pcs	

# 12

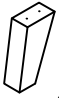




G1	G2	∅4*20
		
6pcs	12pcs	

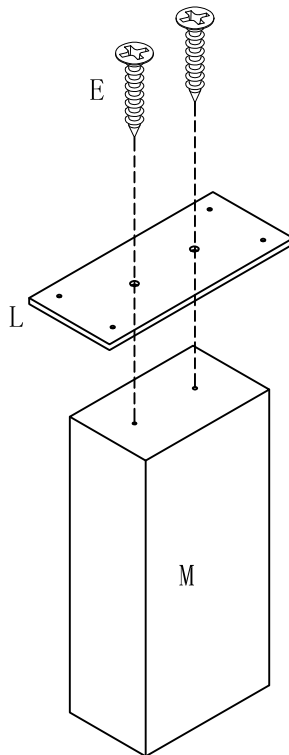
# 13


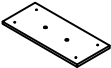



× 4

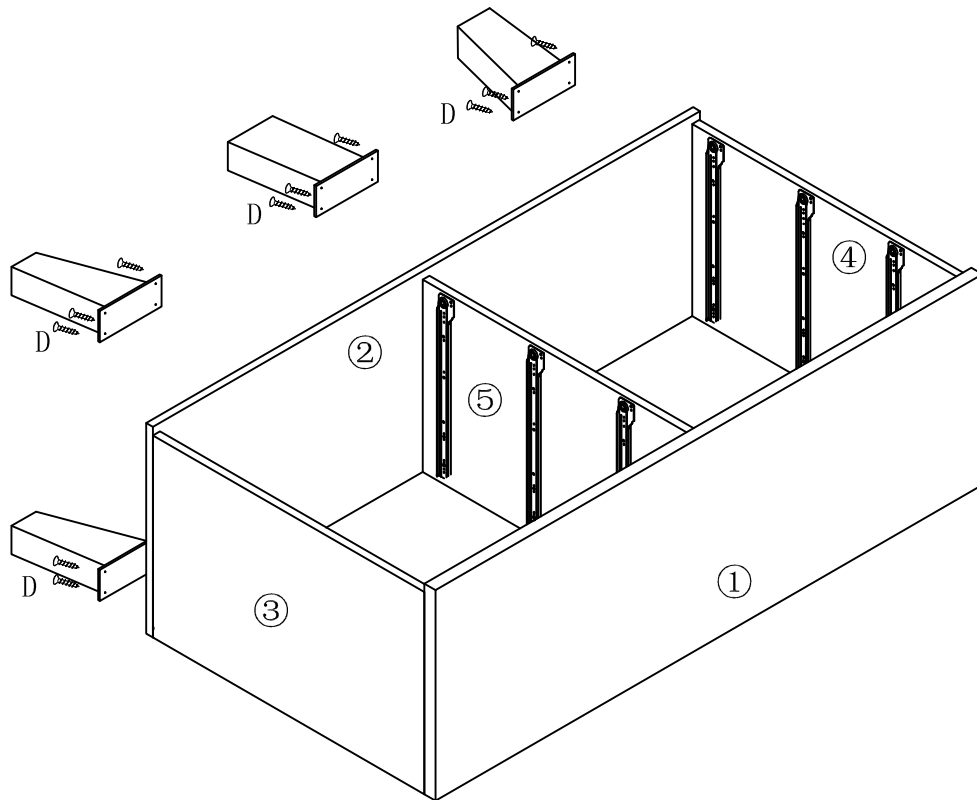
K  4pcs	L  4pcs	E $\Phi 3.5 \times 25$  8pcs
---	--	---


# 14



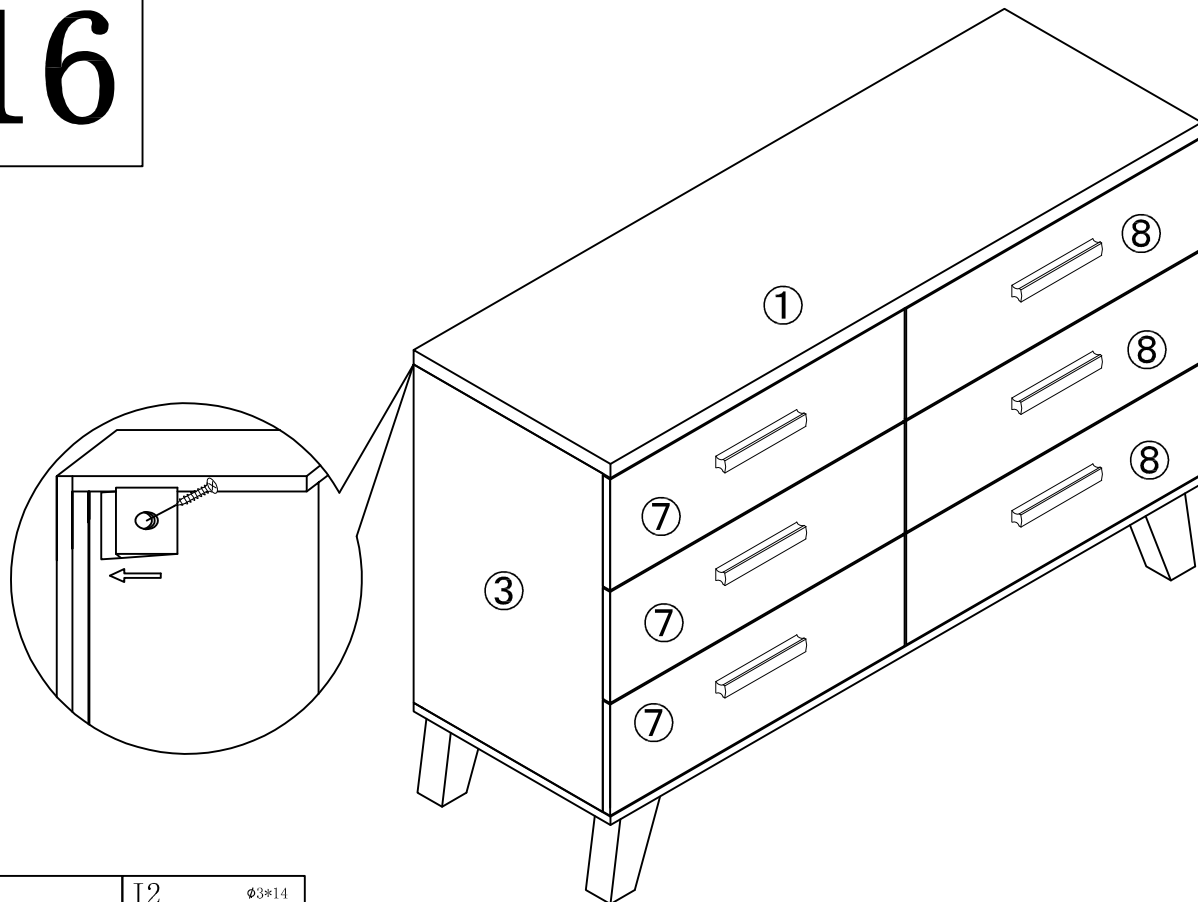
M  1pcs	L  1pcs	E $\Phi 3.5 \times 25$  2pcs
--	--	---


# 15




D  $\varnothing 3.5 \times 14$   
  
20pcs

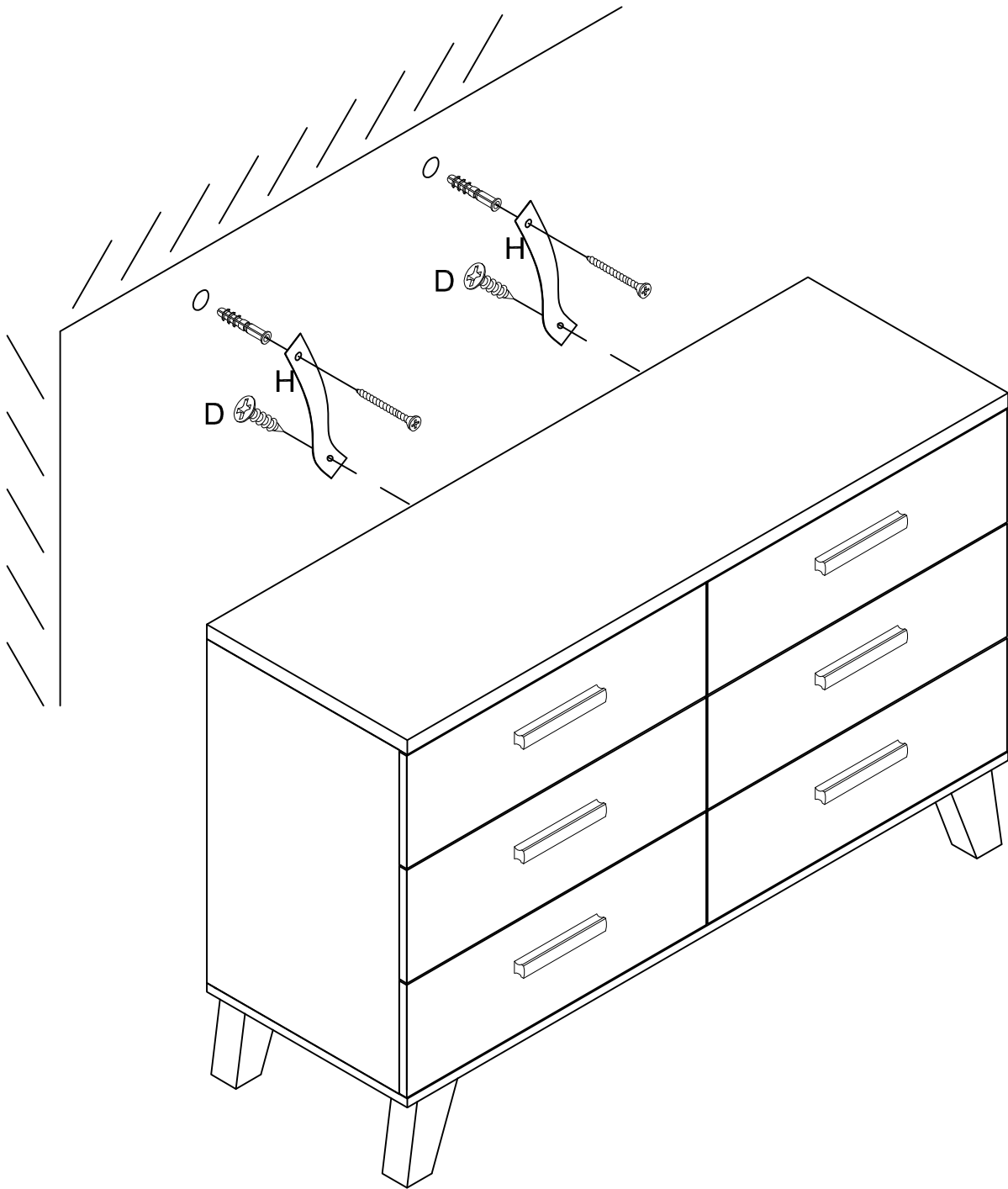
# 16





I1  
  
16pcs

I2  $\varnothing 3 \times 14$   
  
16pcs

# 17



D	∅3.5*14	H
		
2pcs		2pcs