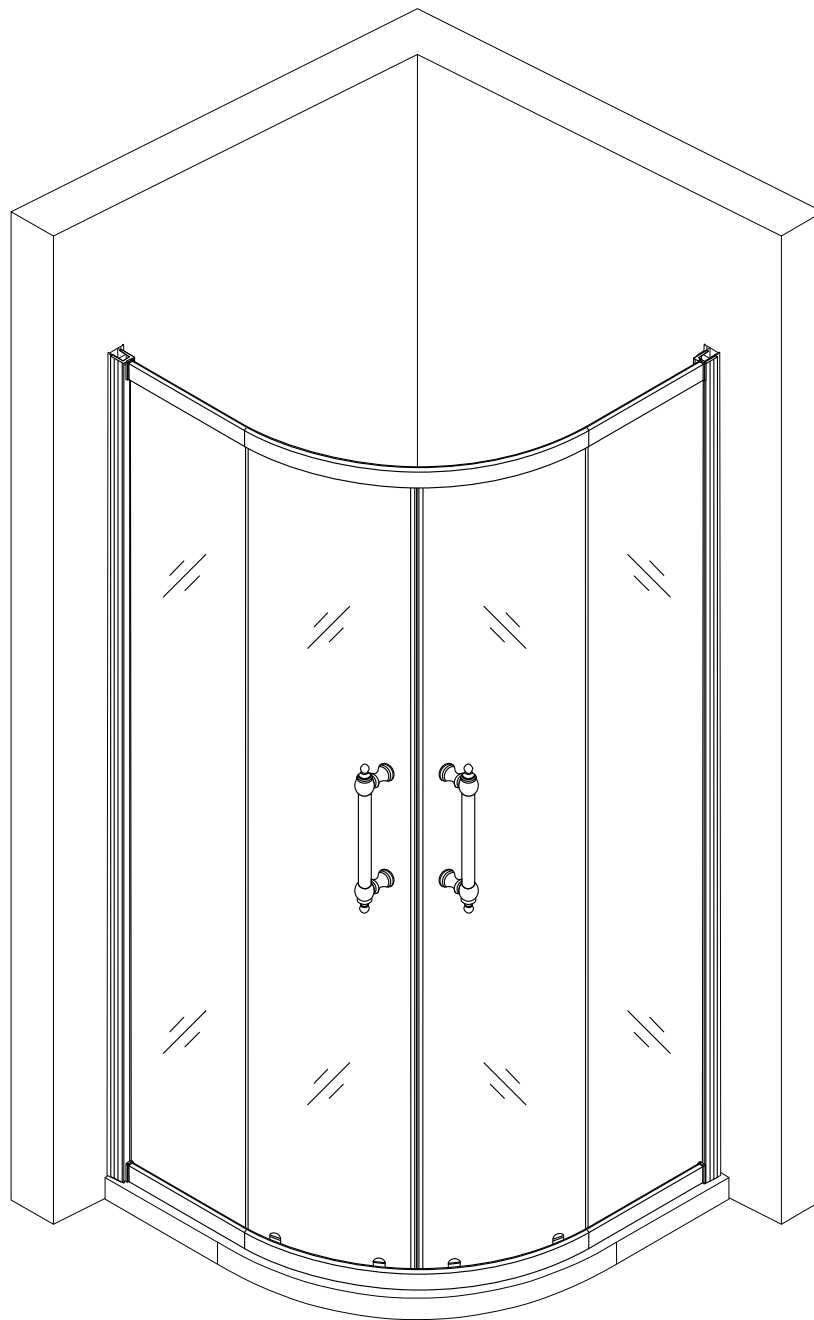


Installation Manual

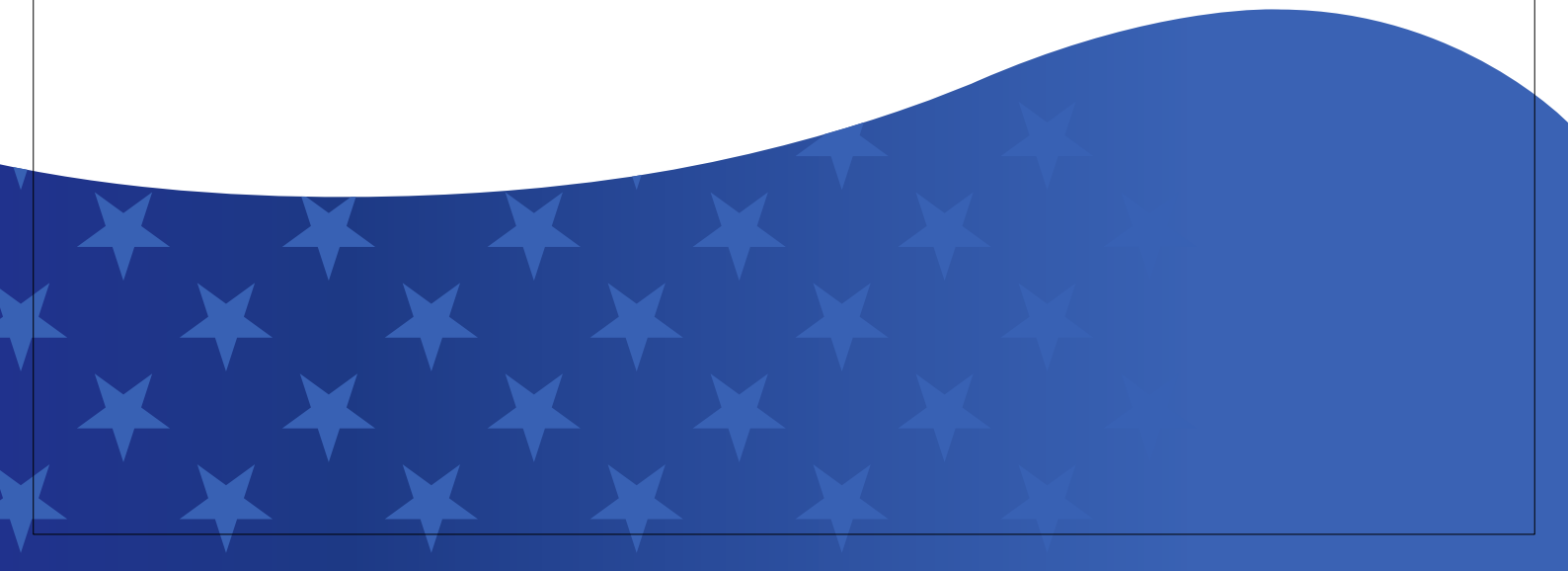


Sector Sliding Shower Enclosure

Applicable Model: RX-SD07-3672CH, RX-SD07-3675CH

INDEX

1. Installation Preparation	P01-02
2. Installation Instruction	P03-10
3. Maintenance	P11



SAFETY INFORMATION

CAUTION

Please carefully read the following important safety information before handling or installing this shower door. There is a risk of serious injury while handling this product.

To minimize these risks, please note:

Always wear safety glasses and gloves while handling.

Always follow the installation instructions. Inspect glass for damage before installation.

Extreme caution should be taken while handling the glass during installation as the tempered glass may shatter if in contact with a hard surface.

Do not cut or modify the tempered glass as it will shatter if cut.

Carefully remove product from packaging and keep packaging until installation is complete.

Inspect all parts for damage or missing; If there is damage or part missing to the unit prior to installation, please contact customer service at the number provided in this guide.

Cover the drain with tape to prevent the loss of small parts.

The shower base and finished walls should be installed before beginning the shower door installation.

During the installation, protect the shower floor with a drop cloth to avoid damage. This product should be installed by two people who are familiar with construction requirements. Professional installation is recommended!

Keep this installation manual for future reference.

NOTE: Two people should perform this installation.

NEED TOOLS



Safety Glasses



Silicone Adhesive Sealant



Tape Measure



Rags



Drill Bits



Drill



Screwdriver



Pencil



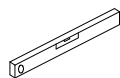
Hammer



Knife

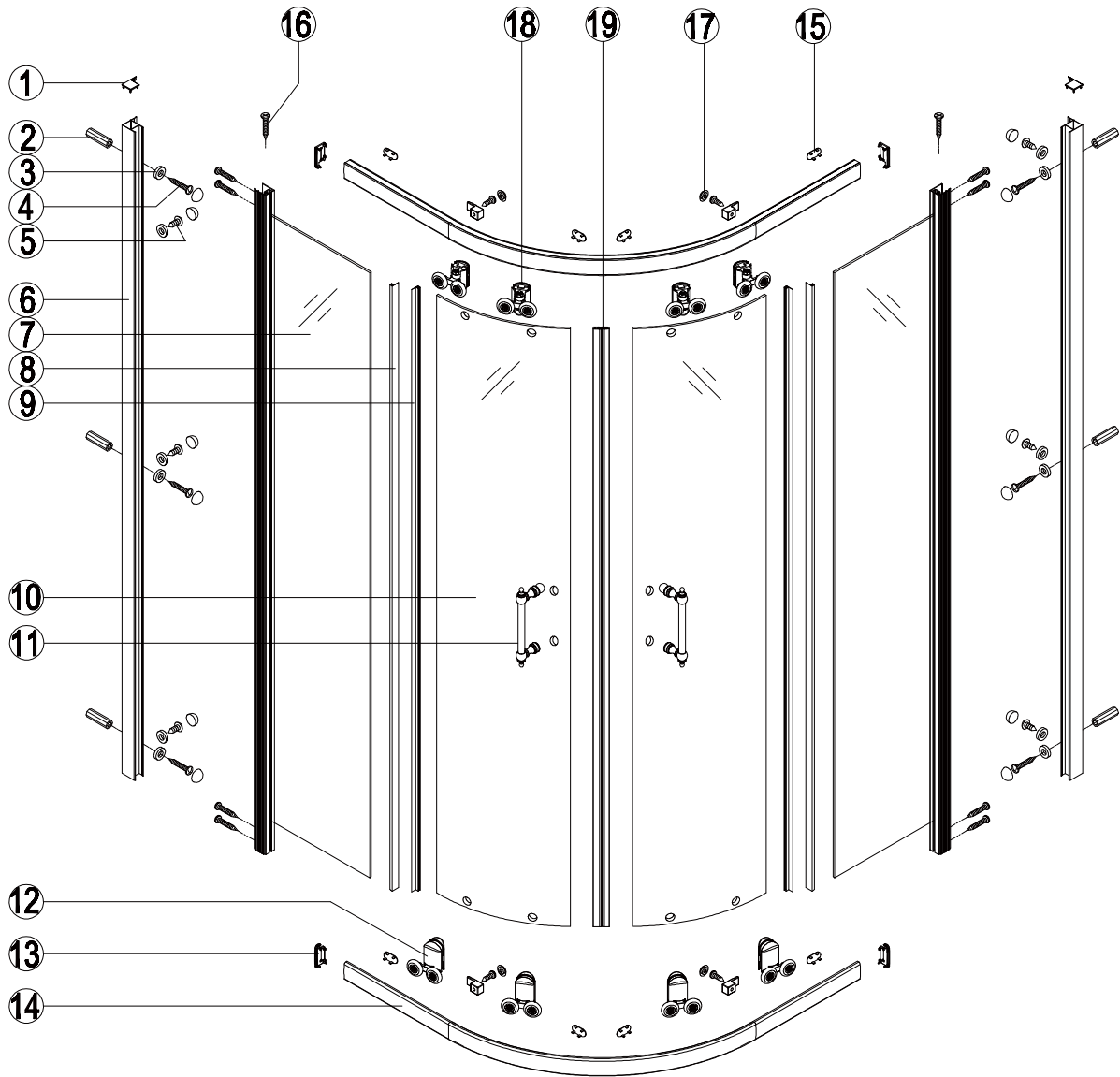


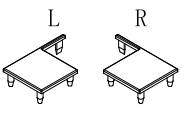
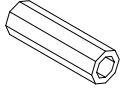
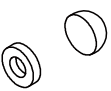
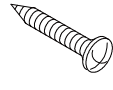


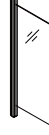


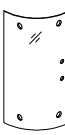

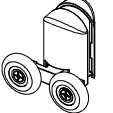
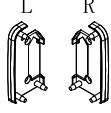
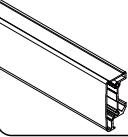
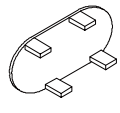
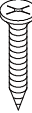
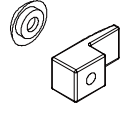
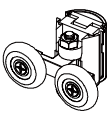
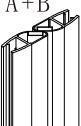
Glove



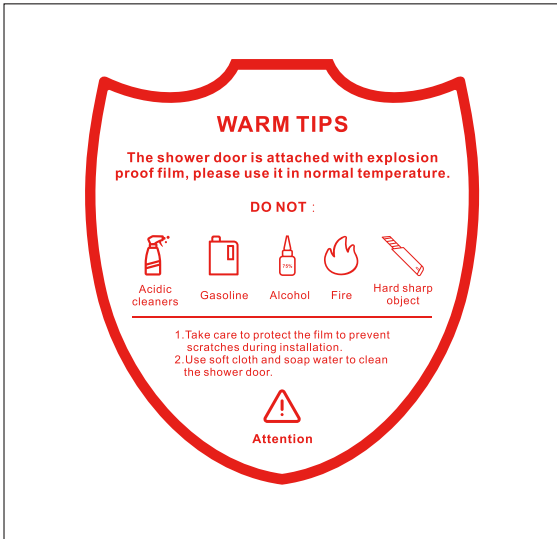
Spirit Level

ESSENTIAL ACCESSORIES LIST

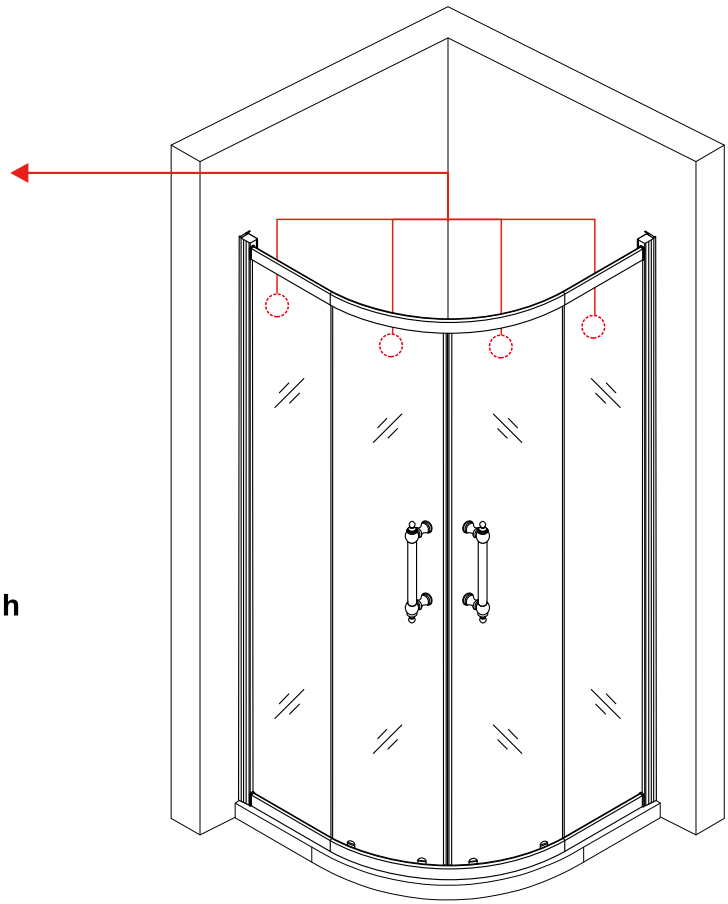


<p>① Wall Jamb Cover</p>  <p>1 Pair</p>	<p>② Wall anchor</p>  <p>6 Pcs</p>	<p>③ Screw Cap</p>  <p>12 Pair</p>	<p>④ St4x30 Metric Screw</p>  <p>14 Pcs</p>	<p>⑤ St4x12 Metric Screw</p>  <p>10 Pcs</p>
<p>⑥ Wall Jamb</p>  <p>2 Pcs</p>	<p>⑦ Fixed Panel</p>  <p>2 Pcs</p>	<p>⑧ Magnetic seal strip</p>  <p>2 Pcs</p>	<p>⑨ Side seal strip</p>  <p>2 Pcs</p>	<p>⑩ Curved Glass Door Panel</p>  <p>2 Pcs</p>
<p>⑪ Handle</p>  <p>2 Pcs</p>	<p>⑫ Lower Pulley</p>  <p>4 Pcs</p>	<p>⑬ Guide Rail Side Cover</p>  <p>2 Pair</p>	<p>⑭ Upper and Lower Guide Rails</p>  <p>6 Pcs</p>	<p>⑮ Guide Rail Decorative Cover</p>  <p>8 Pcs</p>
<p>⑯ St4x15 Metric Screw</p>  <p>2 Pcs</p>	<p>⑰ Guide Rail Fixing</p>  <p>1 Pair</p>	<p>⑱ Upper pulley</p>  <p>4 Pcs</p>	<p>⑲ Guide Rail Fixing</p>  <p>1 Pair</p>	

NOTE: Inspect all parts for missing prior to installation! Contact us for any part missing.

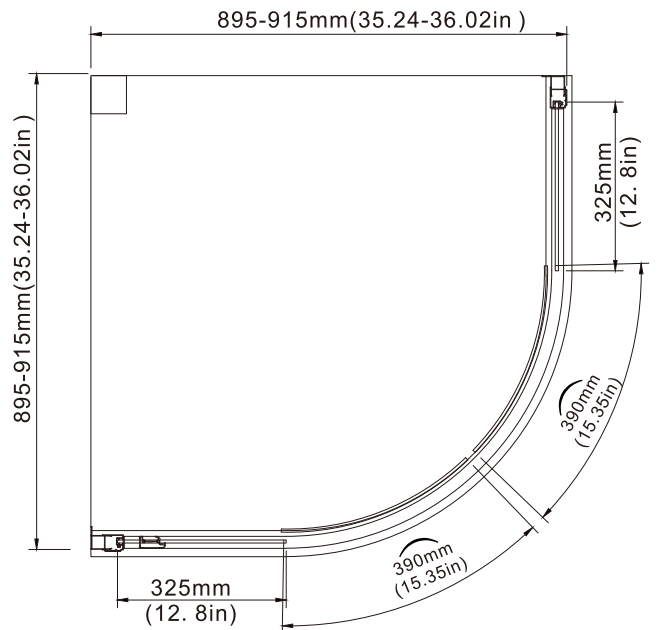
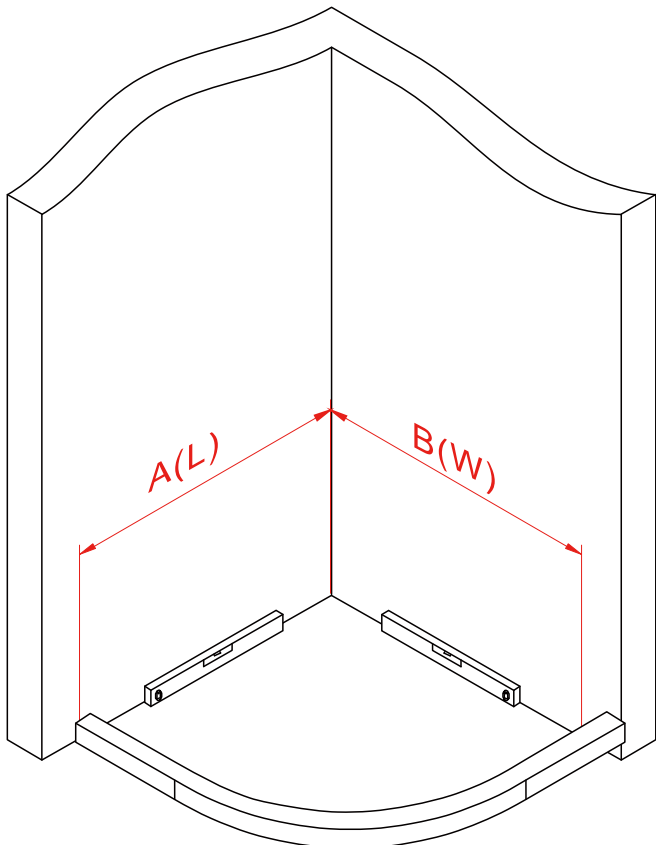


NOTE: Our shower door is affixed with explosion-proof film. Please install the side with the explosion-proof film prompt inside the shower room.

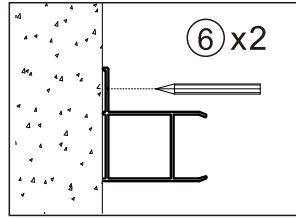
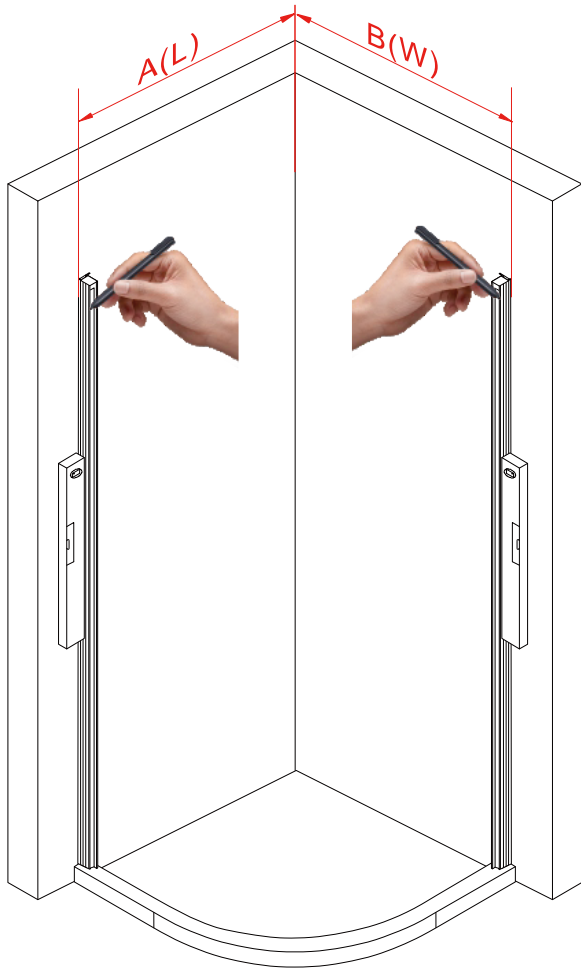


Step1: Measure dimensions and drill holes

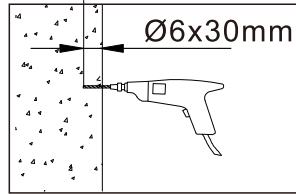
Measure the dimensions L and W of the shower room to see if they match the product dimensions.



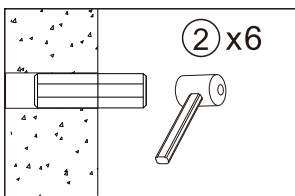
Step2: Drill holes.



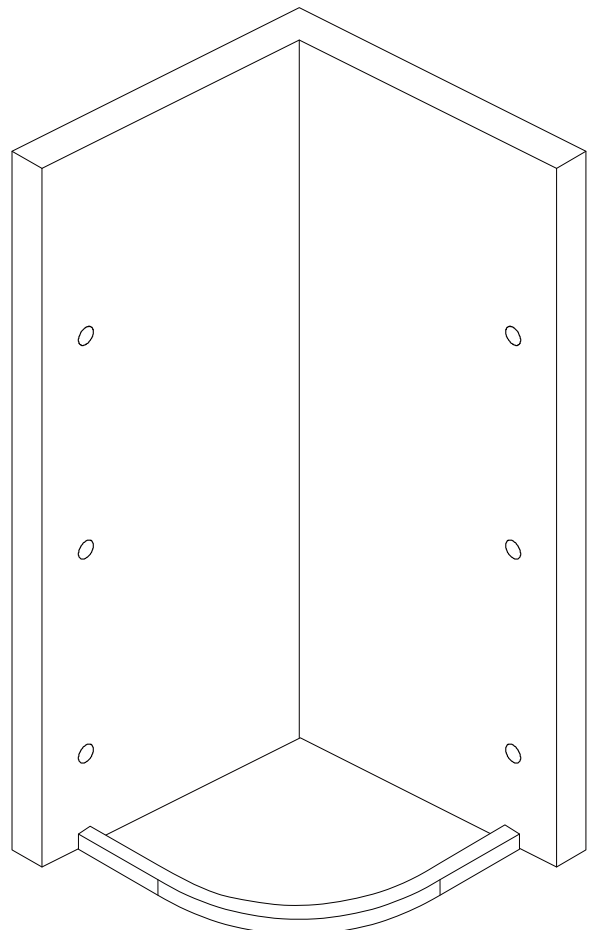
Place ⑥x2 vertically on both sides of the wall, adjust it horizontally, and then mark the hole position with a pencil to draw.



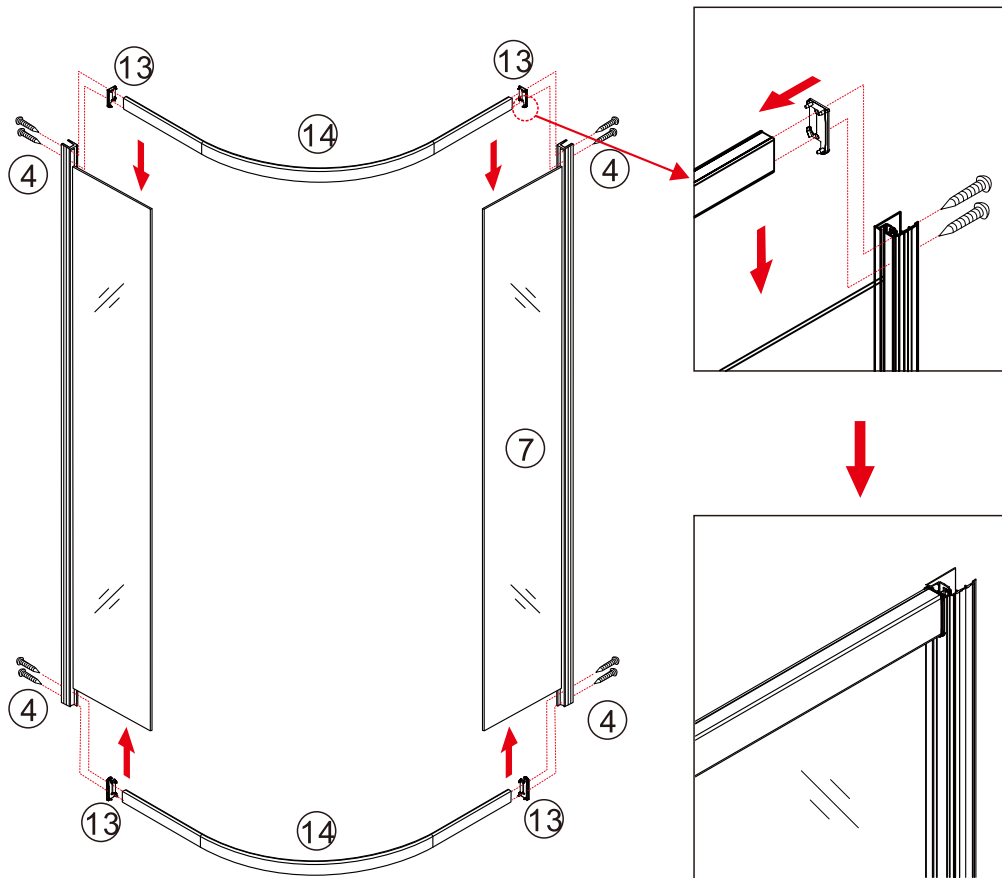
Use a Ø6x30mm drill bit to drill, with a total of 6 holes.



Knock the wall anchor ②x6 into the hole.

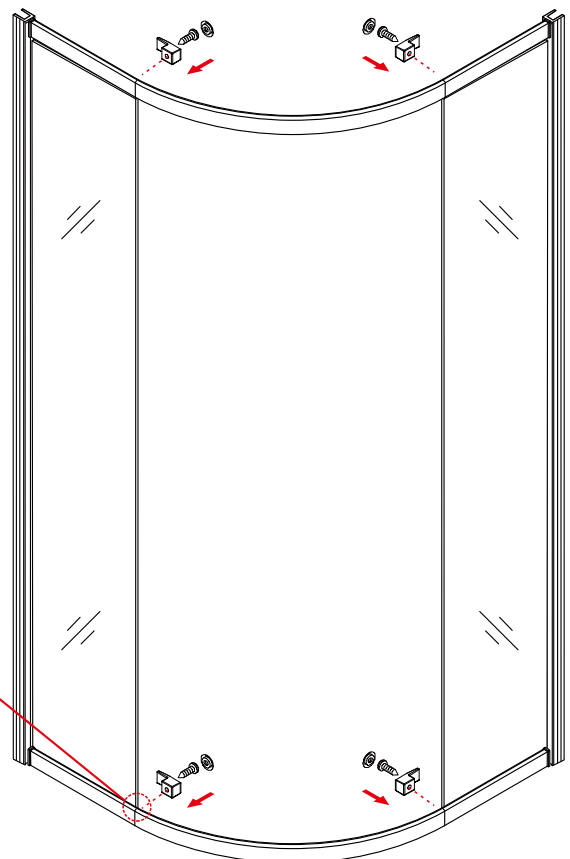
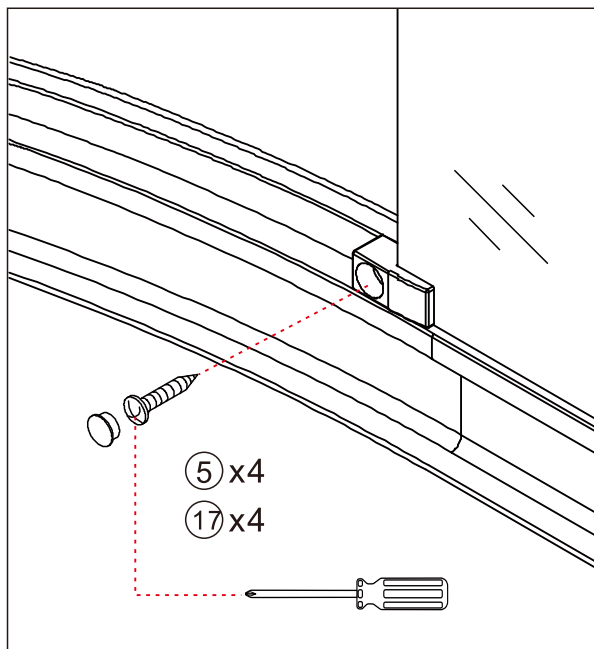


Step3: Install two fixed panel combined with upper and lower guide rails.

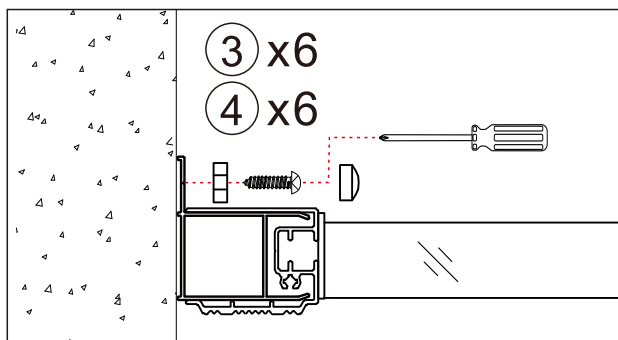
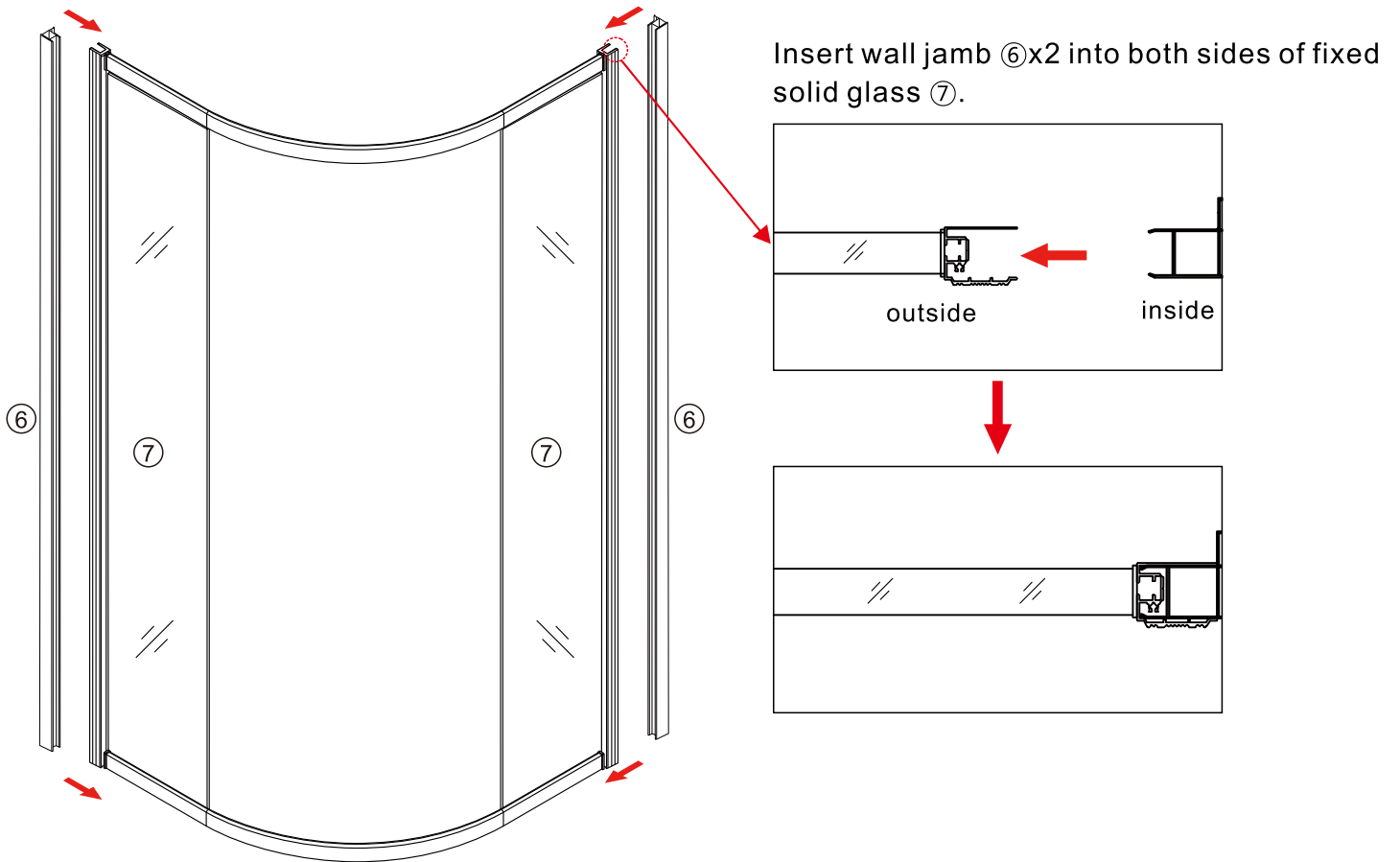


Install guide rail side cover ⑬x4 into the left and right sides of the upper and lower rails of ⑭x2 respectively. Then use screws ④ to install and lock the upper and lower guide rails ⑭ and the fixed ⑦ together.

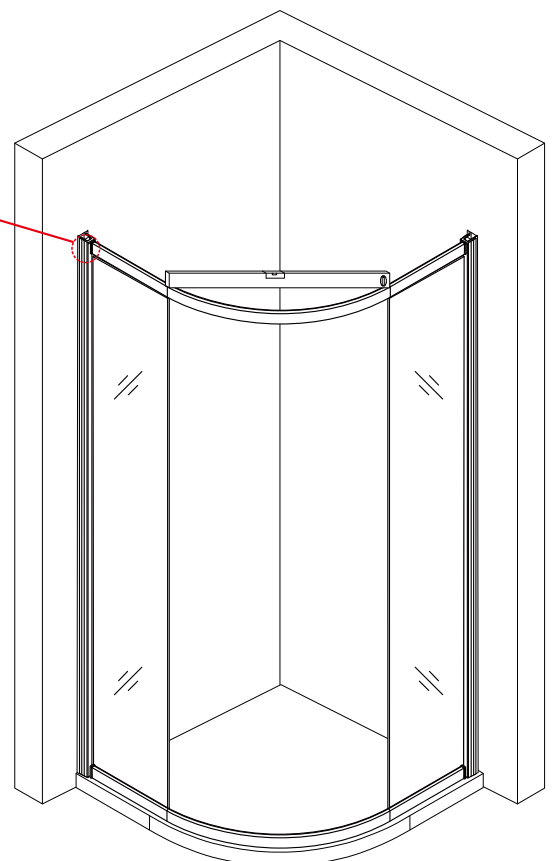
At the edges of the upper and lower guide rails and the glass, use screws ⑤x4 to install guide rail fixing pieces ⑰x4 against the holes and lock them tightly to combine the glass with the upper and lower guide rails, as shown in the figure.



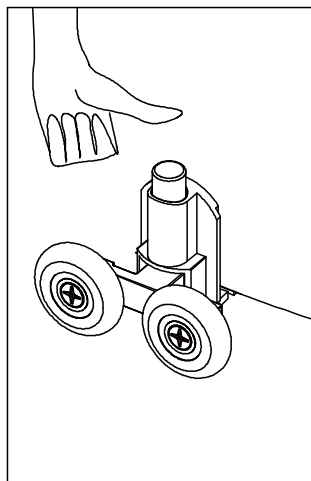
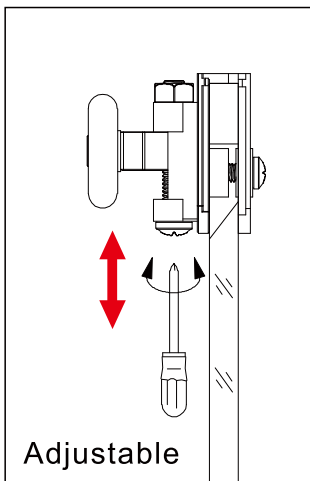
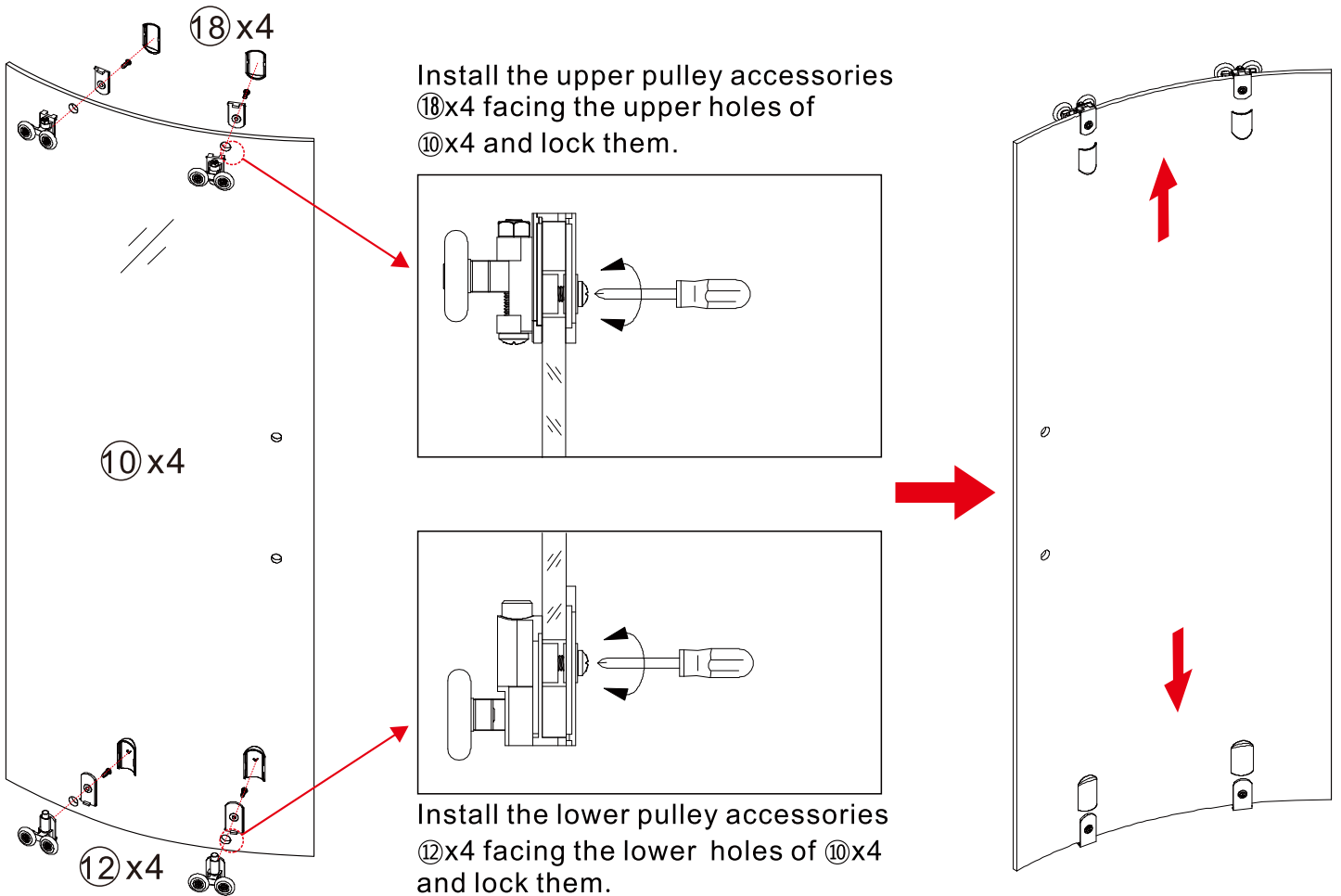
Step4: Install the entire frame into the shower room.



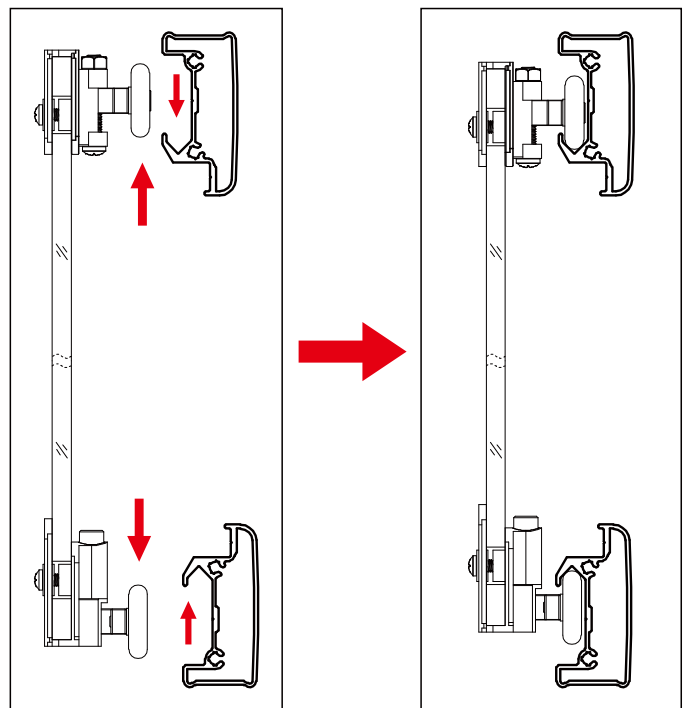
Then put the entire frame into the shower room according to the holes in step 1, and then use screws ③x6 to lock ④x6 against the 6 holes.



Step5: Install pulleys into two movable glass doors, and hang in the rail.

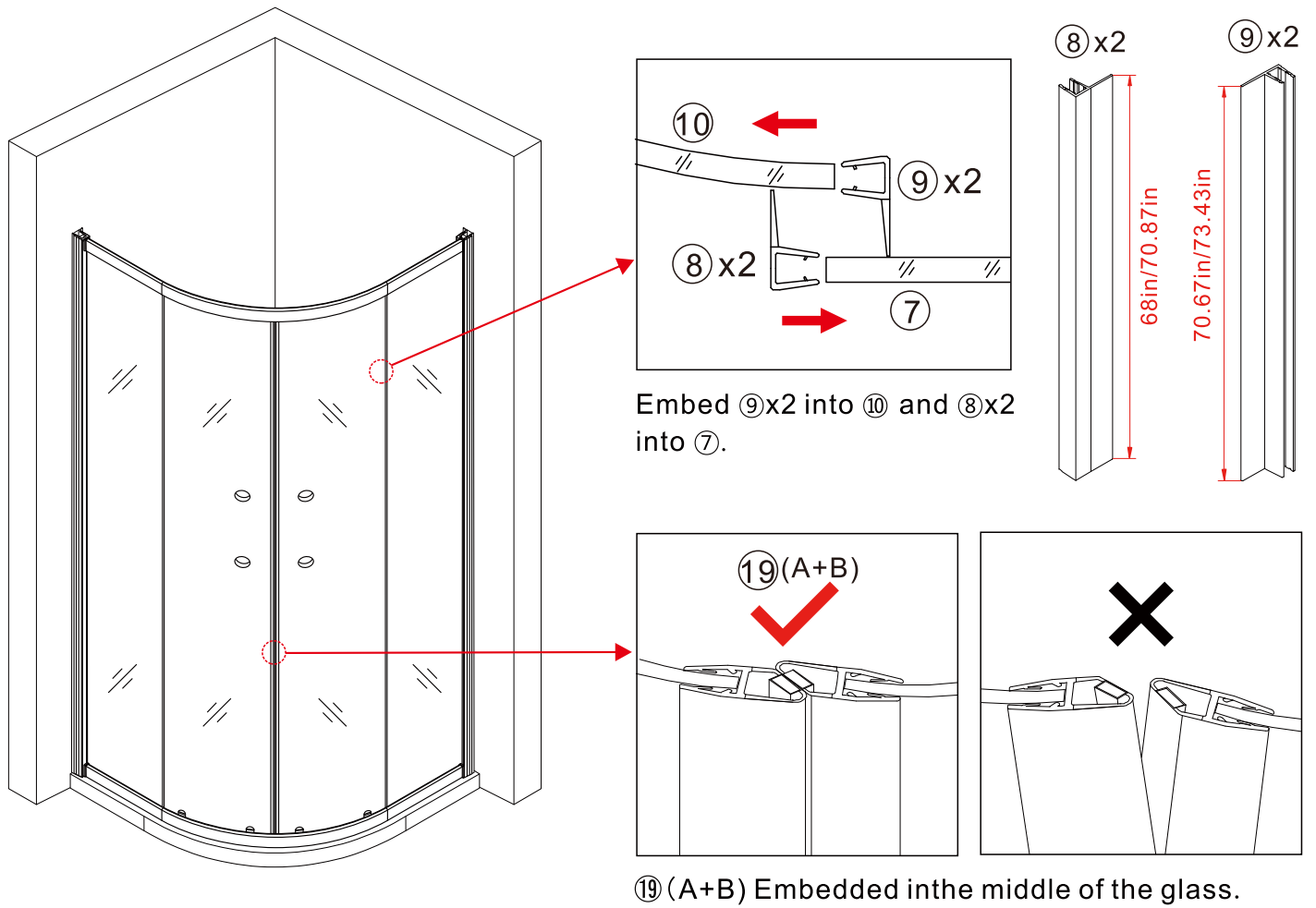


NOTE: Upper pulley ⑱ You can adjust the height; Lower pulley ⑫ You can press down.

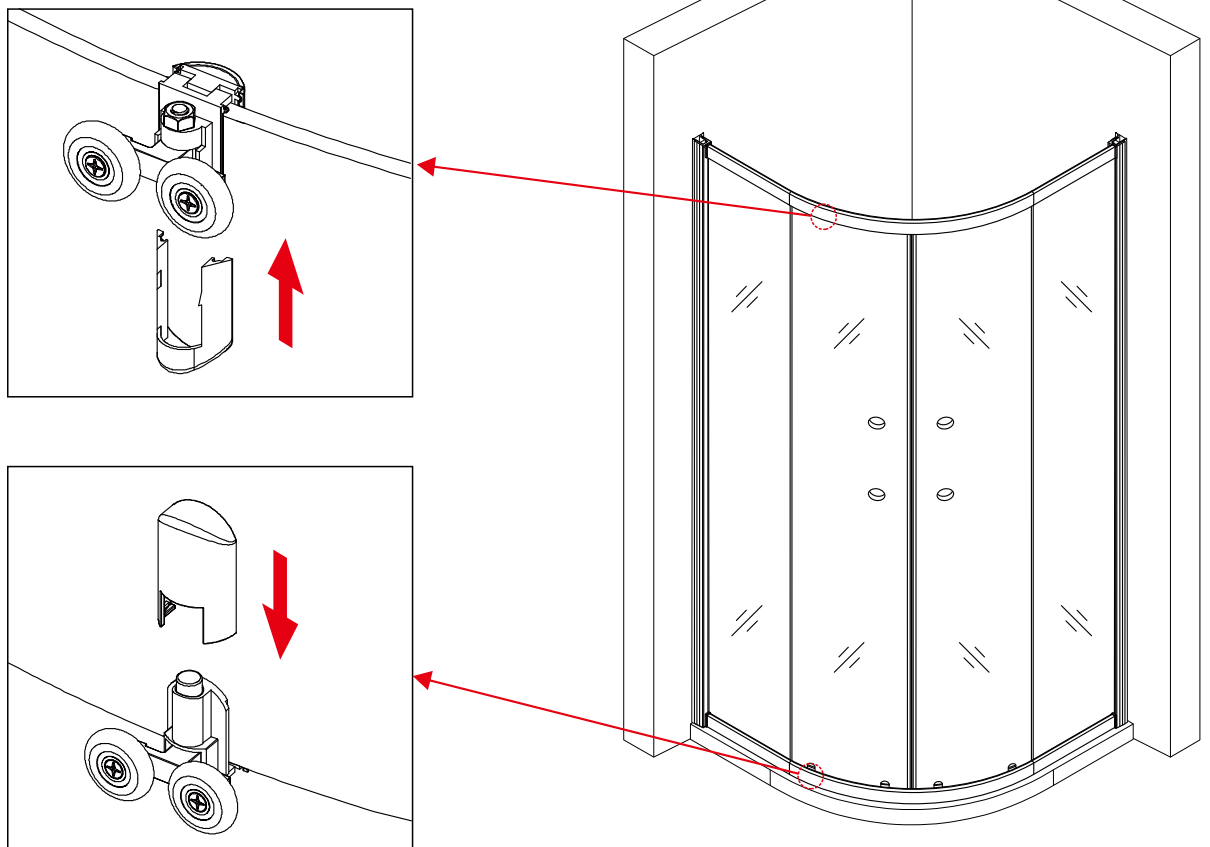


Hang the upper pulley and lower pulley on the inside of the guide rail.
Test whether the sliding shower door can slide normally.

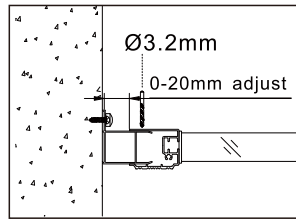
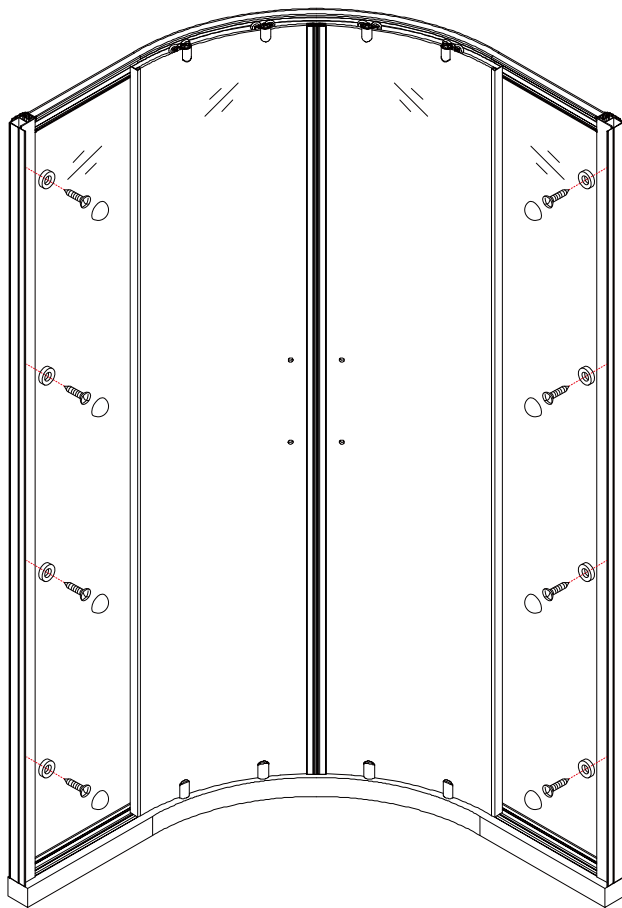
Step 6: Insert the seal strip and waterproof strip.



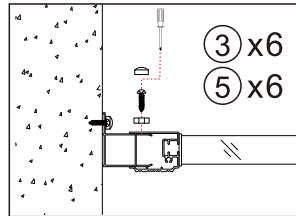
Finally, put the lid on.



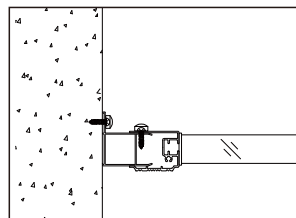
Step7: Fix and install decorative cover.



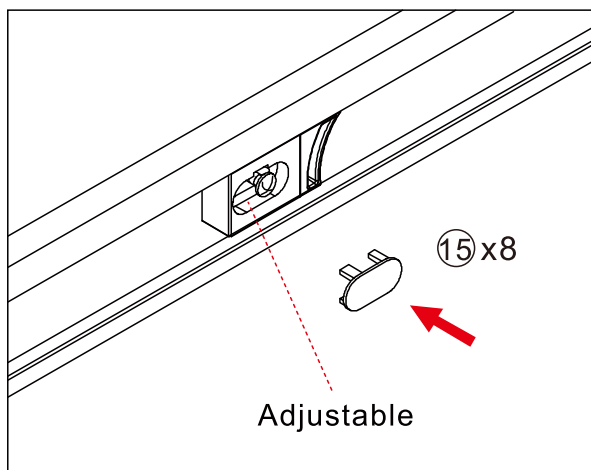
Use a $\text{Ø}3.2\text{mm}$ drill bit to drill holes.



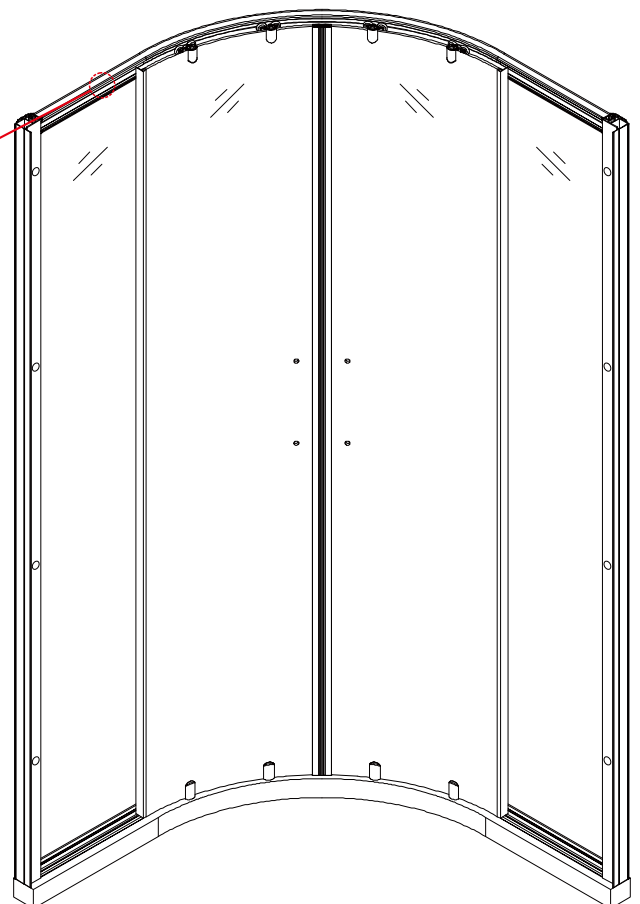
Lock $\text{Ø}3 \times 6$ and $\text{Ø}5 \times 6$ into the holes.



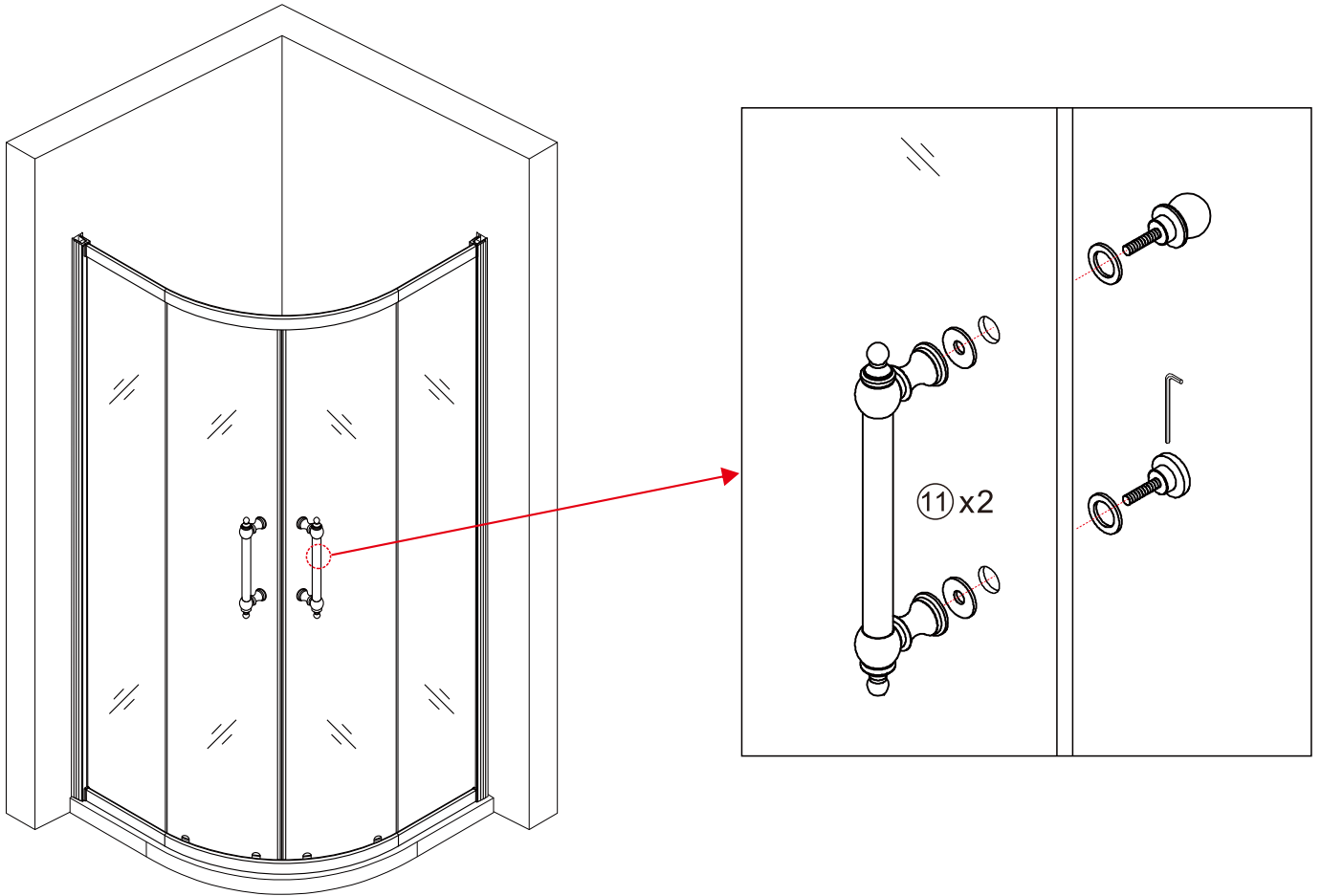
Close the lid.



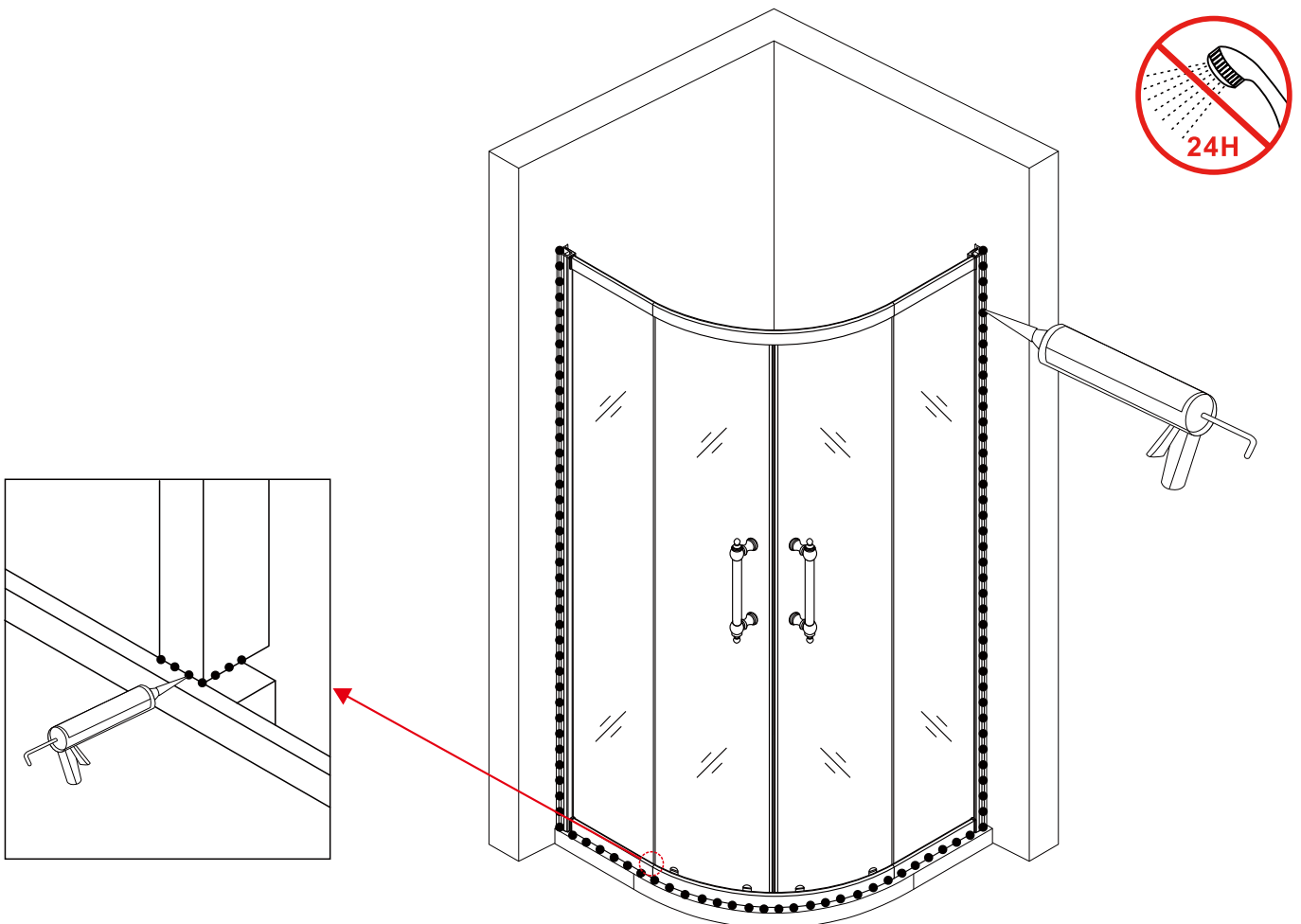
Decorative cover 15×8 that covers the positioning block, can be adjusted.



Step8: Install two handles, ⑪x2 facing the hole.



Step9: Apply glass glue around the edges of the frame. Do not use the shower door within 24 hours.



SHOWER DOOR MAINTENANCE MANUAL

Cleaning:

1. When cleaning the frame, glass and hardware accessories of the shower door, please use a soft cloth. If there is slight dirt, please use a soft cloth or sponge dipped in "neutral detergent" for cleaning. After removing the stubborn dirt, please rinse with plenty of water to prevent the cleaning agent from remaining on the surface of the shower door and causing corrosion damage.
2. When using the special detergent and cleaning agent for bathroom, please be sure to use it correctly according to the precautions described in the detergent. Incorrect use will cause the product to have some bad conditions, such as paint peeling, color fading, rust, tarnishing, etc.
3. Do not use the following items for cleaning: acid, alkaline solvents, medicines (such as hydrochloric acid), solvents containing bleach, acetone diluent, detergent powder, toilet cleaner, etc, otherwise the product will be damaged. There are some bad conditions, such as paint peeling, discoloration, rust, tarnishing, etc.
4. The cleaning items that can be used for the product are: soft cloth, toothbrush, neutral detergent, a mixture of diluted vinegar and salt. Note: any cleaning agent will have a certain impact on the surface of the product, so use caution. Rinse with clean water in time to prevent damage to the surface caused by the residual detergent.

How to use and maintain the pulley of the shower door:

1. Avoid hitting the movable door with force, so as not to cause the movable door to fall off.
2. Pay attention to regularly clean the slide rails, pulleys and sliders, and add lubricant (lubricating oil or lubricating wax).
3. Regularly adjust the fixing screws of the pulley to ensure the effective bearing and good sliding of the pulley on the movable door.

Maintenance of tempered glass:

1. Do not hit or hit the glass surface with sharp objects to avoid damage.
2. Do not wipe the glass surface with rough objects to avoid scratches.
3. After using for a period of time, the glass will remain dirt, remove the dirt on the glass. You can use a mixture of cool and salt to wash with a toothbrush, you can remove the stains. Pay attention to rinse with clean water in time after use.

THANK YOU FOR SHOPPING WITH US!



Email: Contactus@Rainlex-store.com

**PLEASE DO NOT RETURN TO STORE!
PLEASE CHECK ALL THE ACCESSORIES
BEFORE INSTALLATION.**

Tips: If there is any questions for the products, please feel free to contact us. We will solve it at the first time.

For quick and better to solve problem for you, Required information is a MUST:

1. Where you buy
2. PO Number/Tracking number
3. SKU Number
4. Problem to Clarify
5. Picture/Video