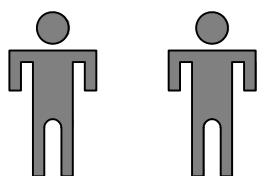
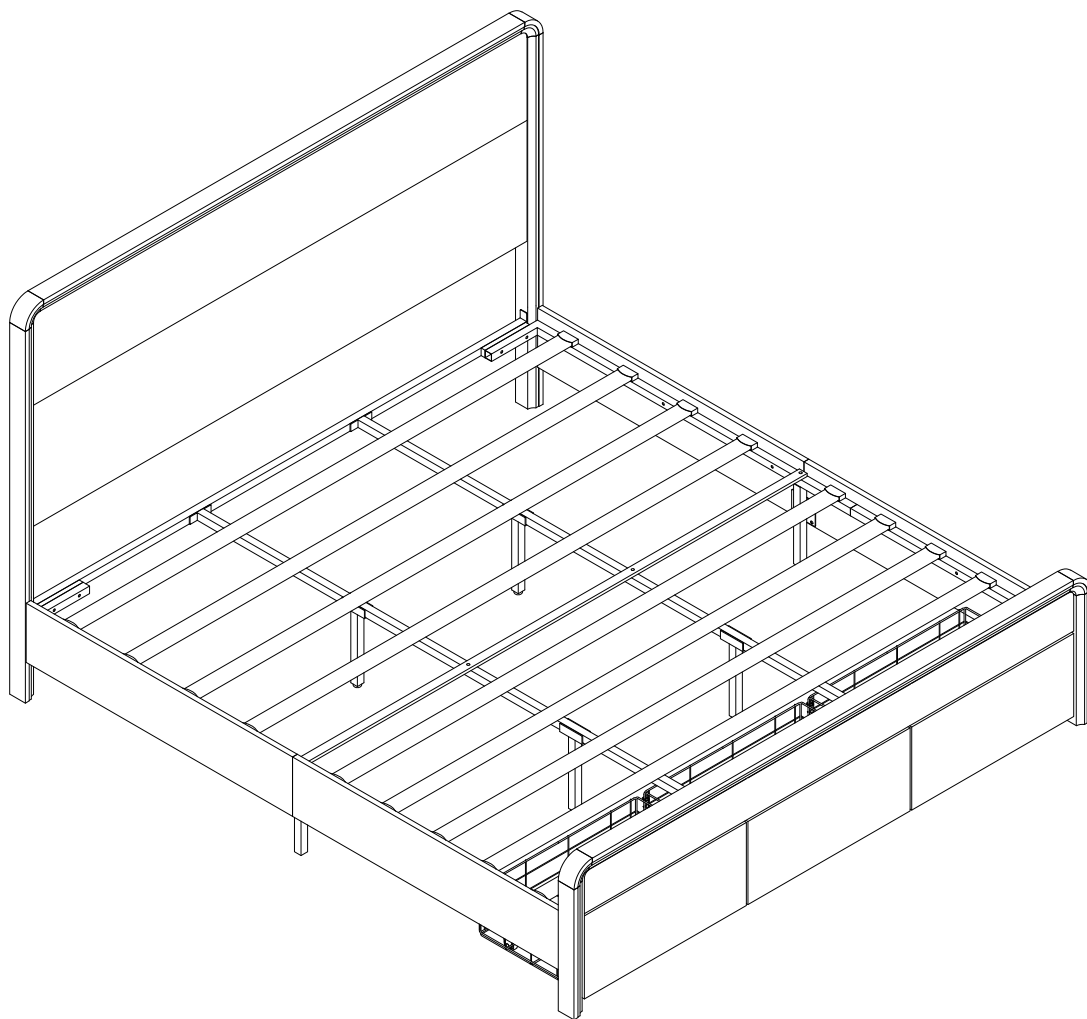
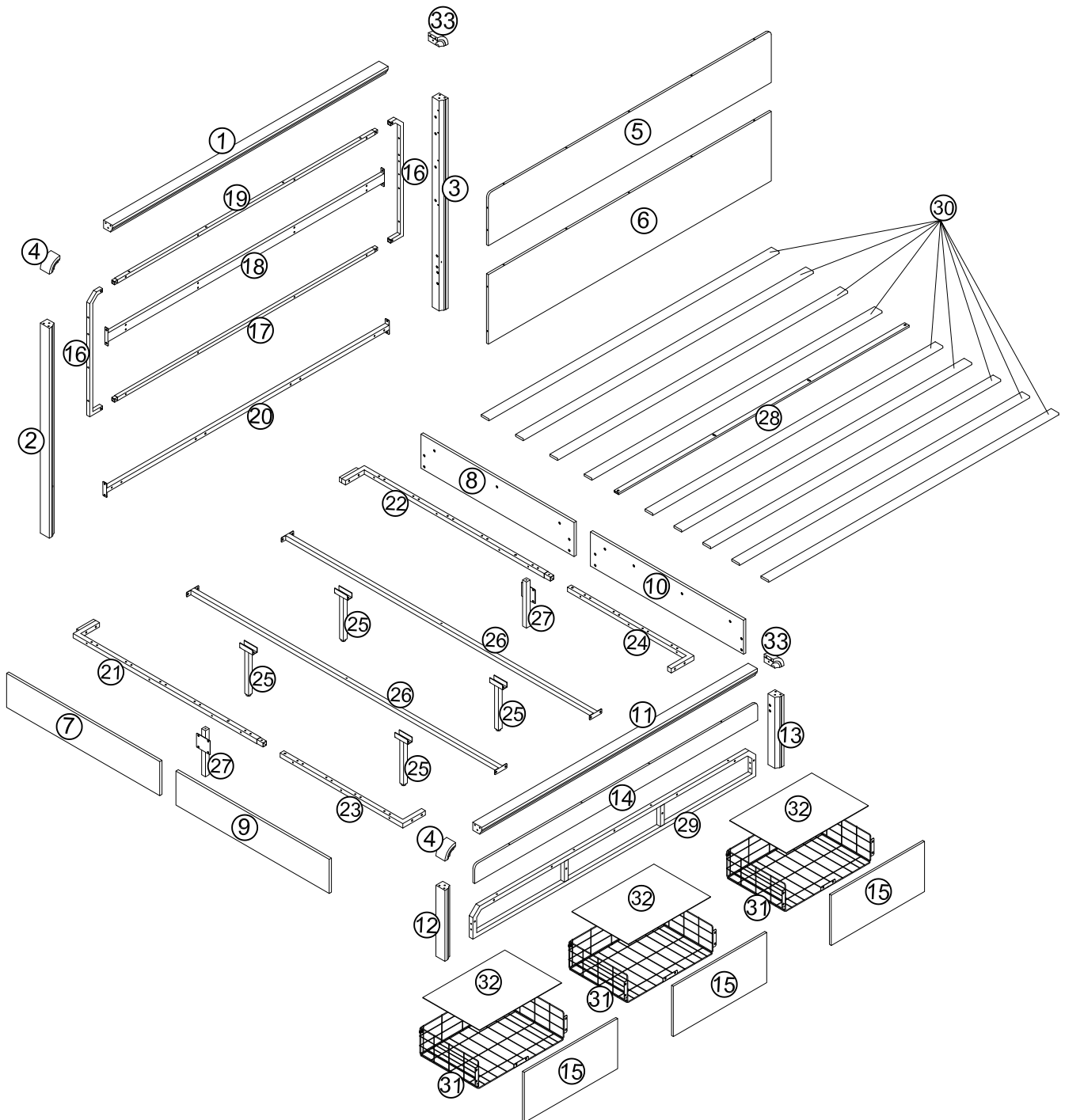


# ASSEMBLY INSTRUCTIONS



2 people for assembly

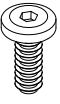
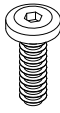
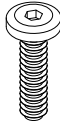
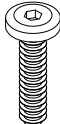
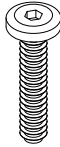


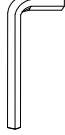
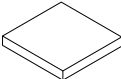
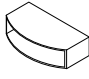
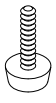
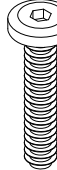


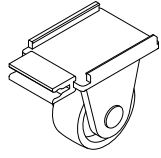
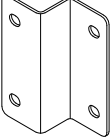
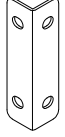
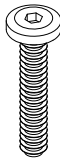
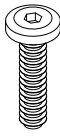
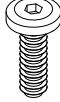
# Parts List



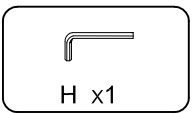
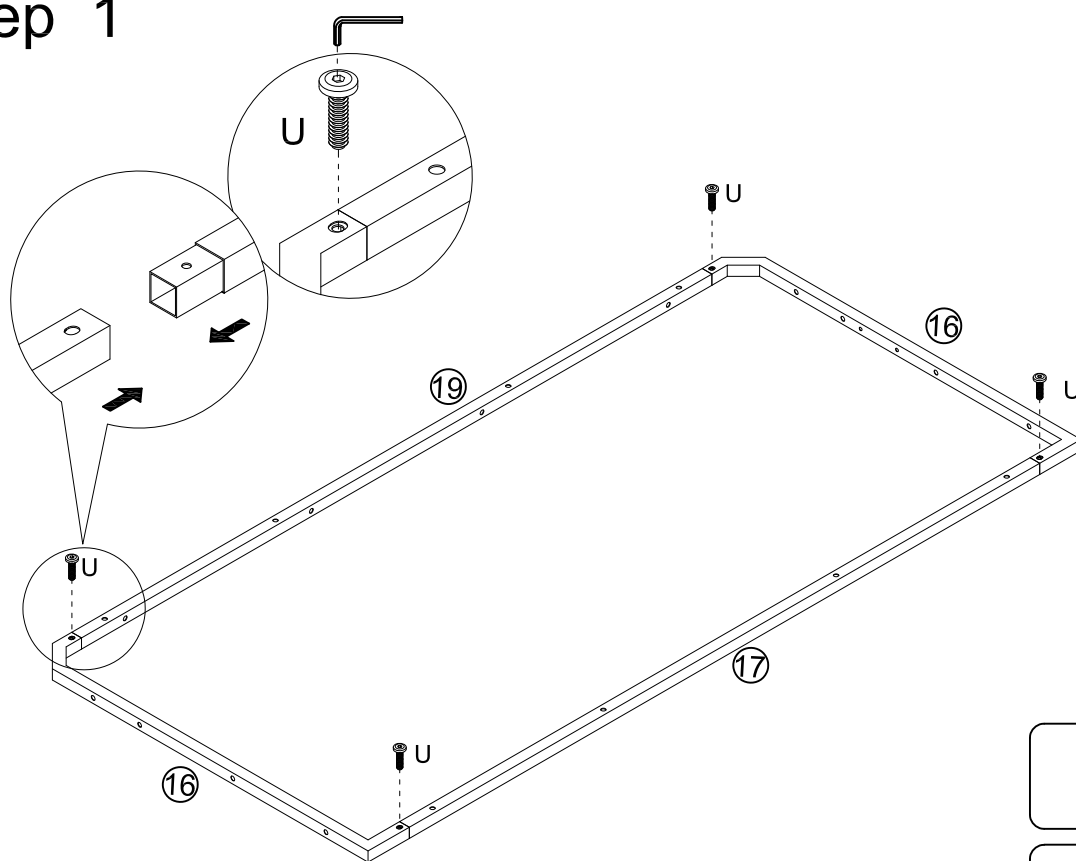
# PACKAGE INCLUDE

CODE	DESCRIPTION	QTY
1	Top strip of the bed	1
2	The left column of the headboard	1
3	The column on the right side of the bed	1
4	Left arc elbow	2
5	Headboard	1
6	Lower board of the head	1
7	Left front bed side	1
8	On the right front bed side	1
9	On the left side of the rear bed	1
10	On the right rear side of the bed	1
11	Top strip at the end of the bed	1
12	The left pillar at the end of the bed	1
13	The right pillar at the end of the bed	1
14	A board is attached to the end of the bed	1
15	Pull the panel	3
16	The left and right side frames inside the headboard	2
17	The inner frame of the headboard is horizontal at the bottom	1
18	The inner frame of the headboard is horizontal	1
19	Headboard inner frame pull rod	1
20	Headboard pull bar	1
21	The front iron bar on the left side of the bed	1
22	Front iron bar on the right side of the bed	1
23	Front iron bar on the right side of the bed	1
24	The iron bar behind the right side of the bed	1
25	Middle iron foot	4
26	The pull rod in the bed	2
27	Middle foot on the side of the bed	2
28	Middle crossbar	1
29	The inner frame at the end of the bed	1
30	Bed bar	9
31	Iron sucker	3
32	Pull the base plate	3
33	<b>Right arc-shaped elbow</b>	2

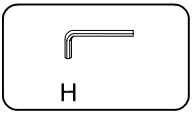
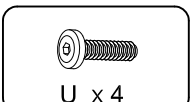
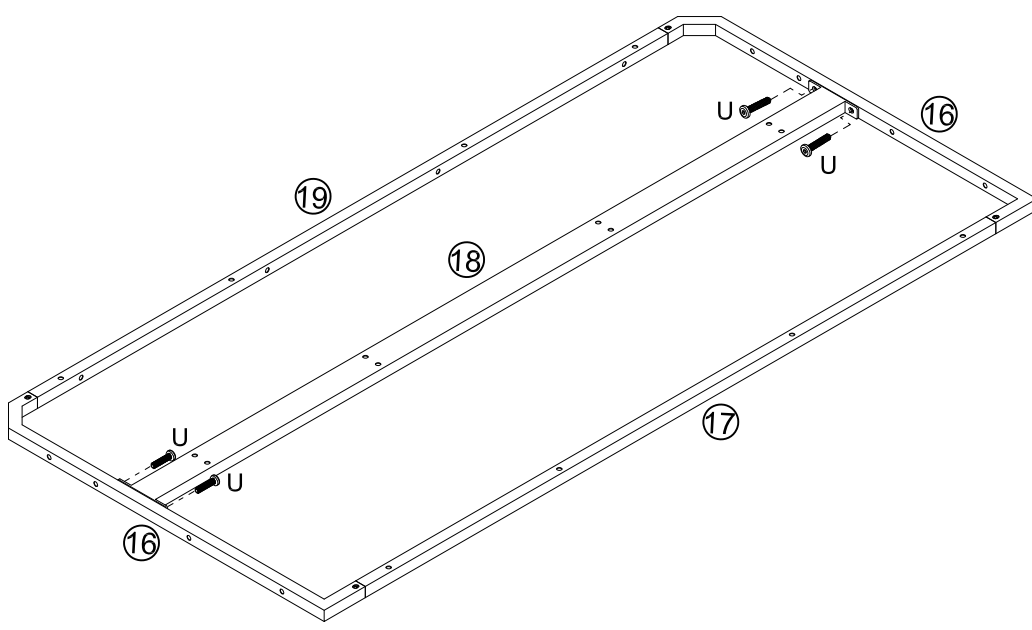
# Hardware List

<p><b>A</b></p>  <p>M6 x 9mm</p> <p>18+2x</p>	<p><b>B</b></p>  <p>M6 x 12mm</p> <p>16+2x</p>	<p><b>C</b></p>  <p>M6 x 28mm</p> <p>16+2x</p>	<p><b>D</b></p>  <p>M6 x 33mm</p> <p>11+2x</p>	<p><b>E</b></p>  <p>M6 x 55mm</p> <p>6x</p>
<p><b>F</b></p>  <p>Ø8 x 40mm</p> <p>24+2x</p>	<p><b>G</b></p>  <p>Ø6 x 30mm</p> <p>22+2x</p>	<p><b>H</b></p>  <p>M4</p> <p>1x</p>	<p><b>J</b></p>  <p>42x42x2mm</p> <p>4x</p>	<p><b>K</b></p>  <p>18+1x</p>
<p><b>L</b></p>  <p>M6 x 25mm</p> <p>2x</p>	<p><b>M</b></p>  <p>M8 x 80mm</p> <p>2x</p>	<p><b>N</b></p>  <p>2x</p>	<p><b>O</b></p>  <p>M5</p> <p>1x</p>	<p><b>P</b></p>  <p>12x</p>
<p><b>Q</b></p>  <p>2x</p>	<p><b>R</b></p>  <p>2x</p>	<p><b>S</b></p>  <p>M6 x 40mm</p> <p>12+2x</p>	<p><b>T</b></p>  <p>M6 x 35mm</p> <p>26+2x</p>	<p><b>U</b></p>  <p>M6 x 16mm</p> <p>38+2x</p>

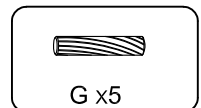
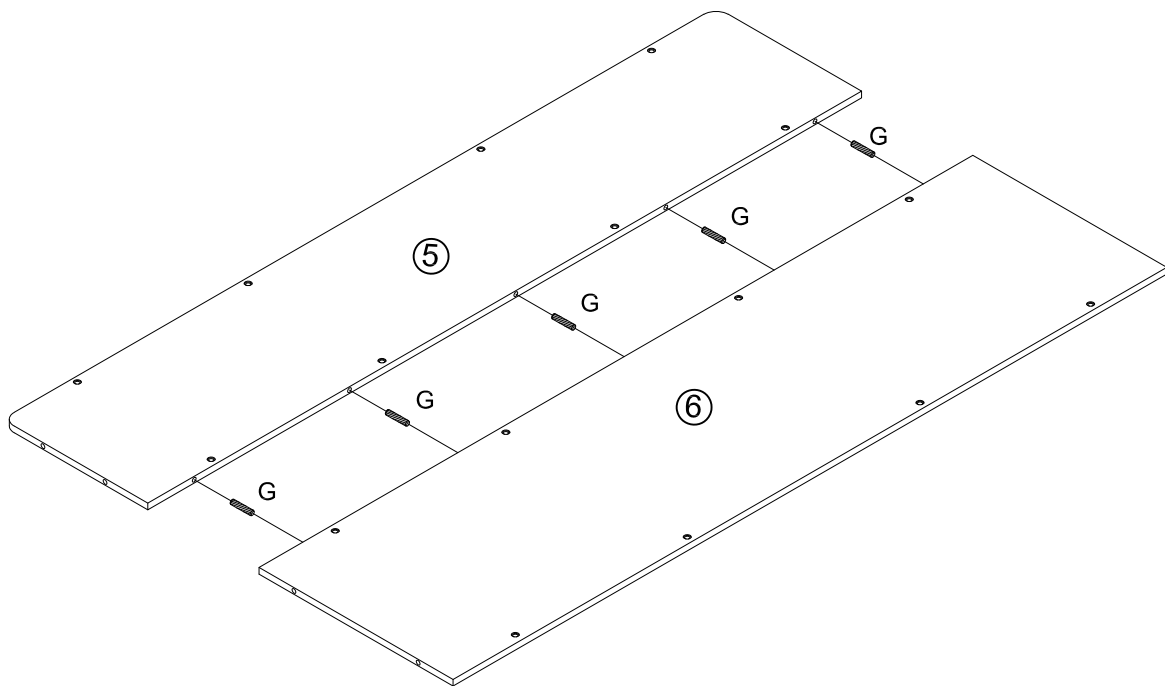
# Step 1



# Step 2

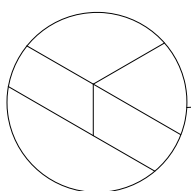
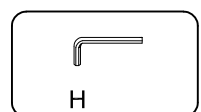
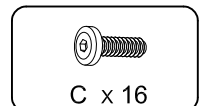
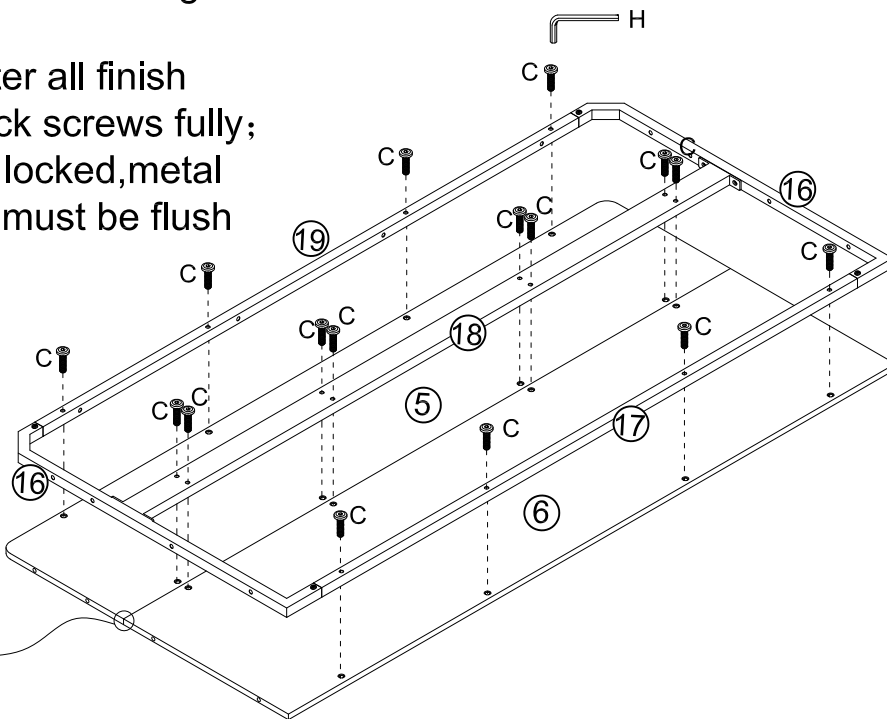


## Step 3

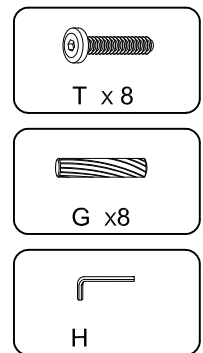
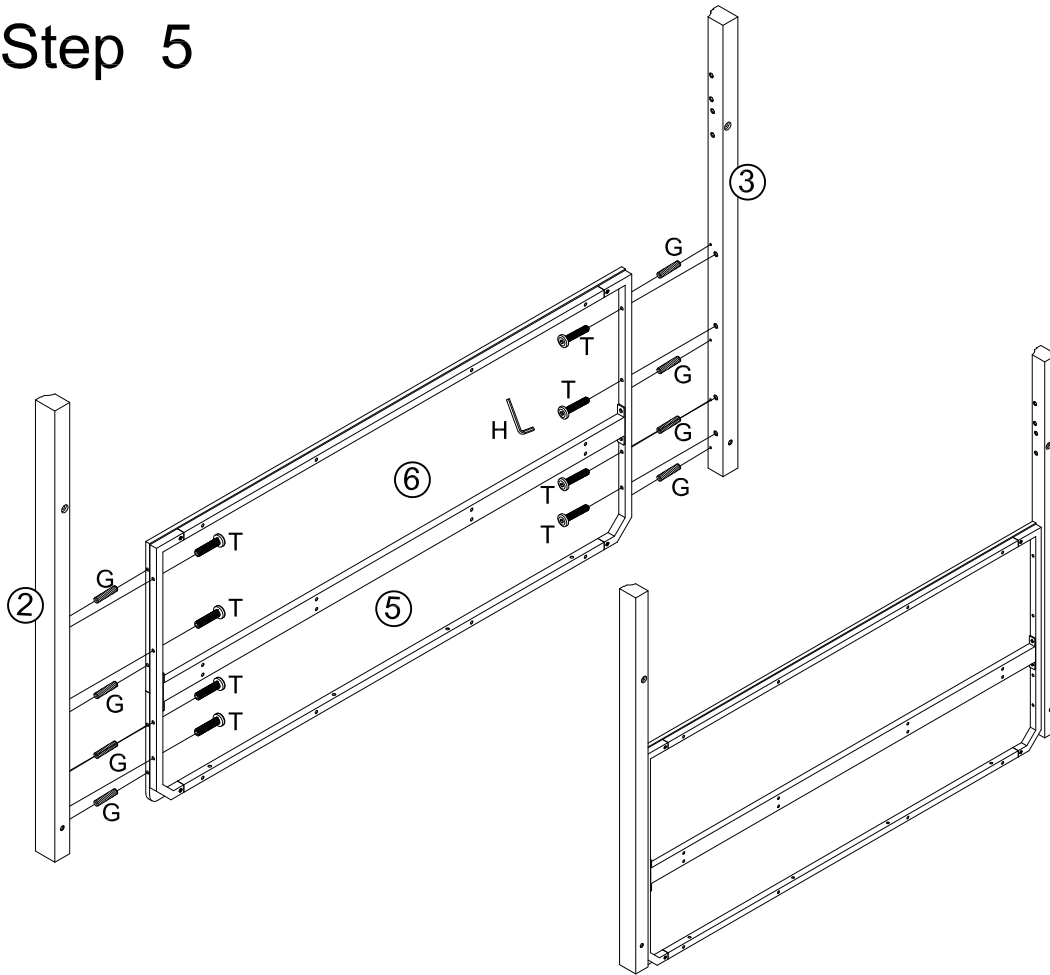


## Step 4

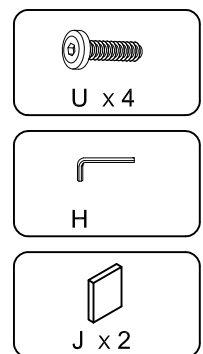
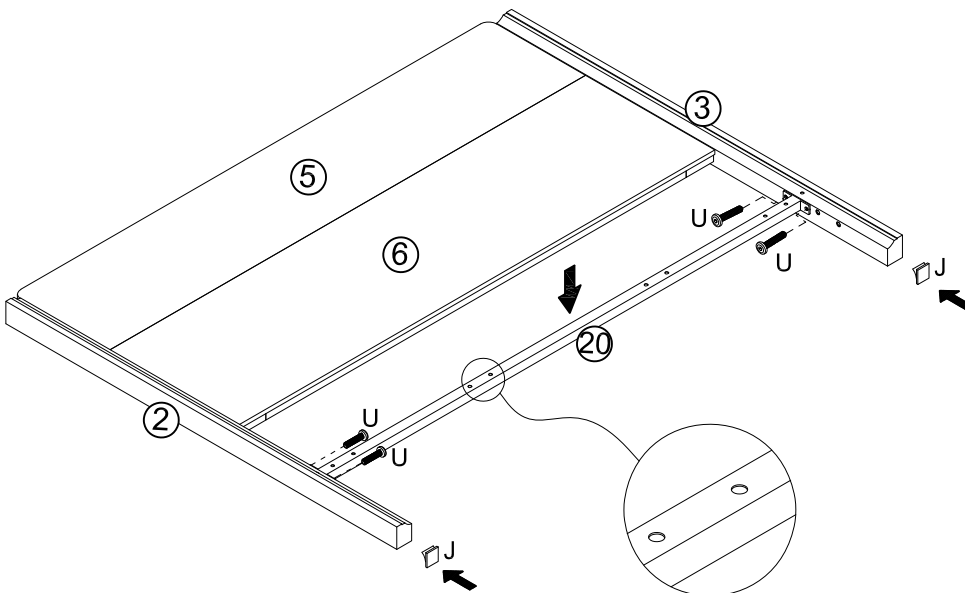
First ,all screws are tighten  
70% ;  
Second,after all finish  
, 100% lock screws fully;  
Third,after locked,metal  
and board must be flush



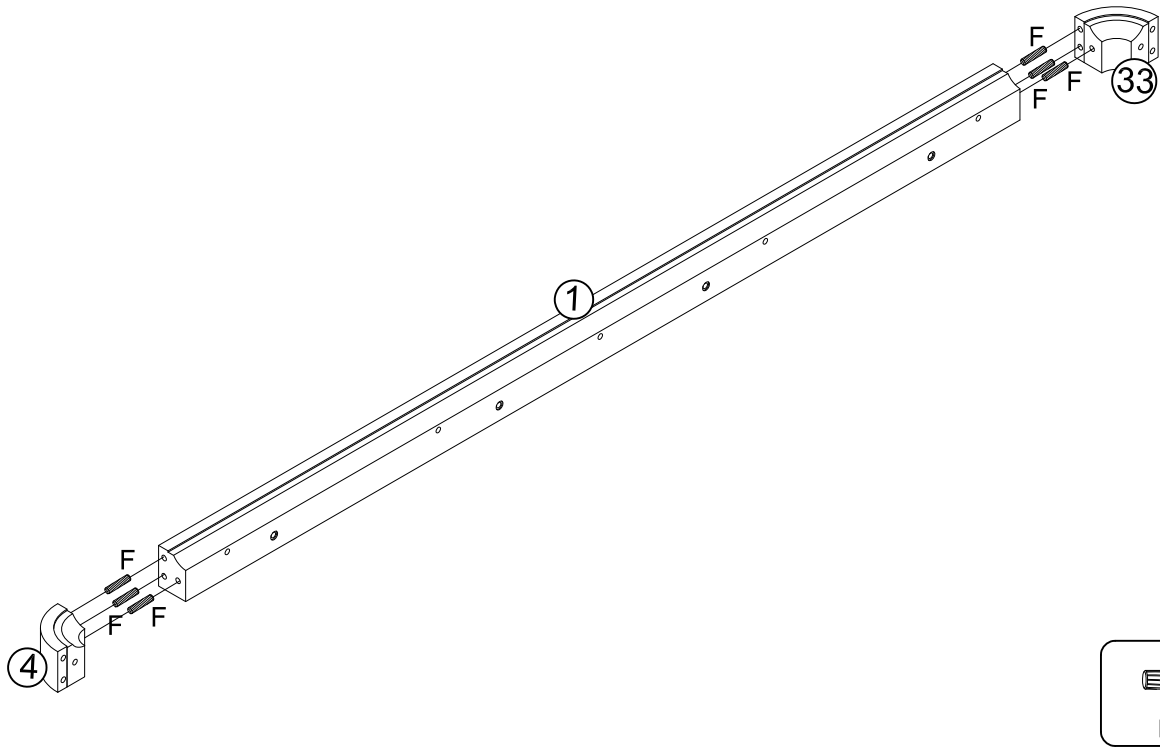
# Step 5



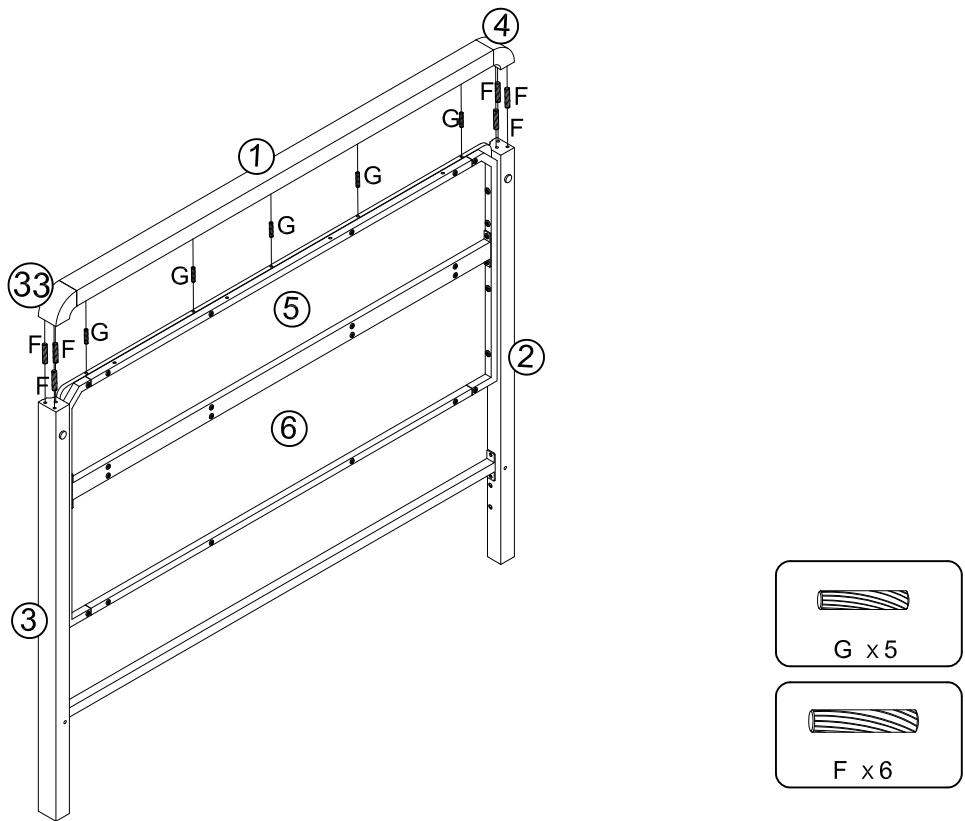
# Step 6



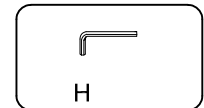
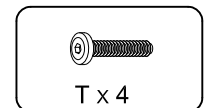
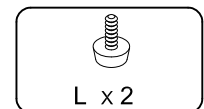
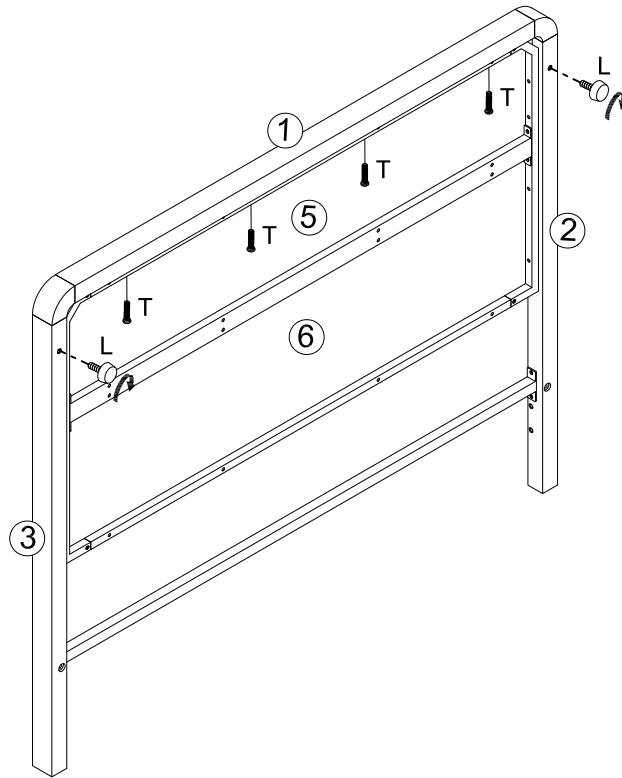
# Step 7



# Step 8

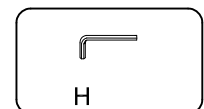
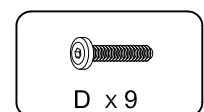
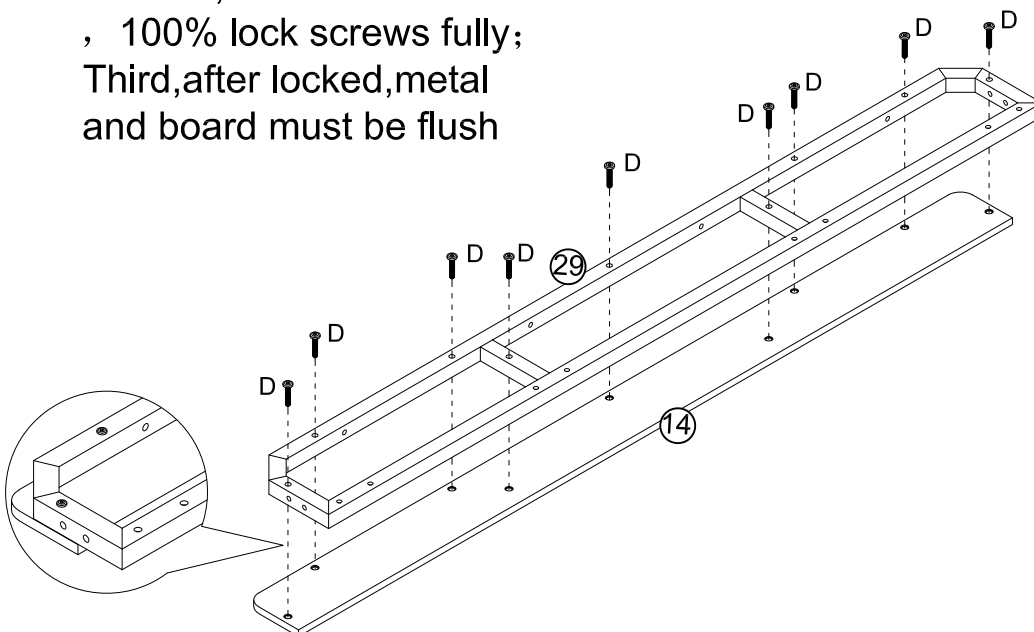


## Step 9

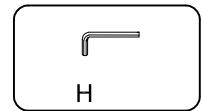
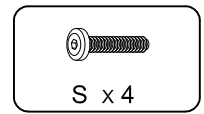
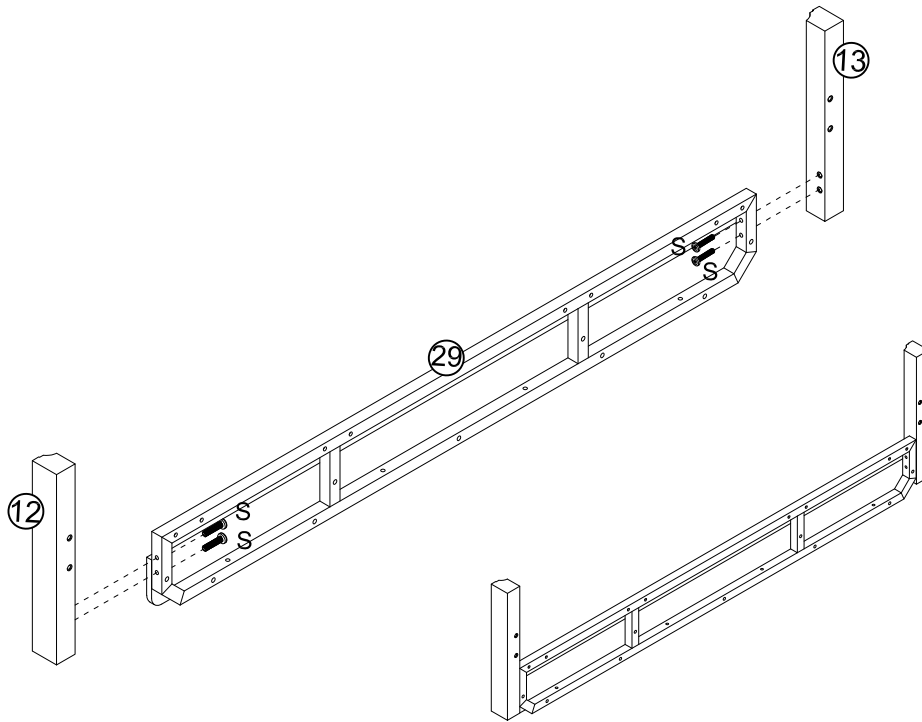


## Step 10

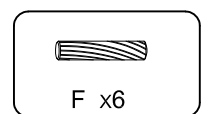
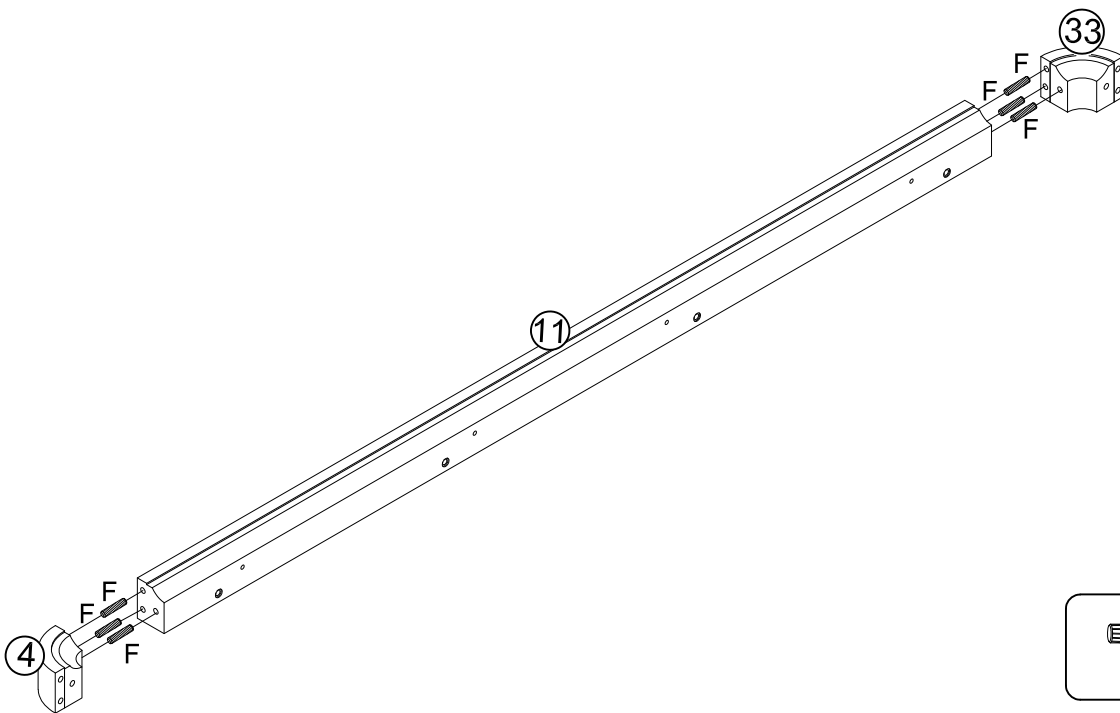
First ,all screws are tighten  
70% ;  
Second,after all finish  
, 100% lock screws fully;  
Third,after locked,metal  
and board must be flush



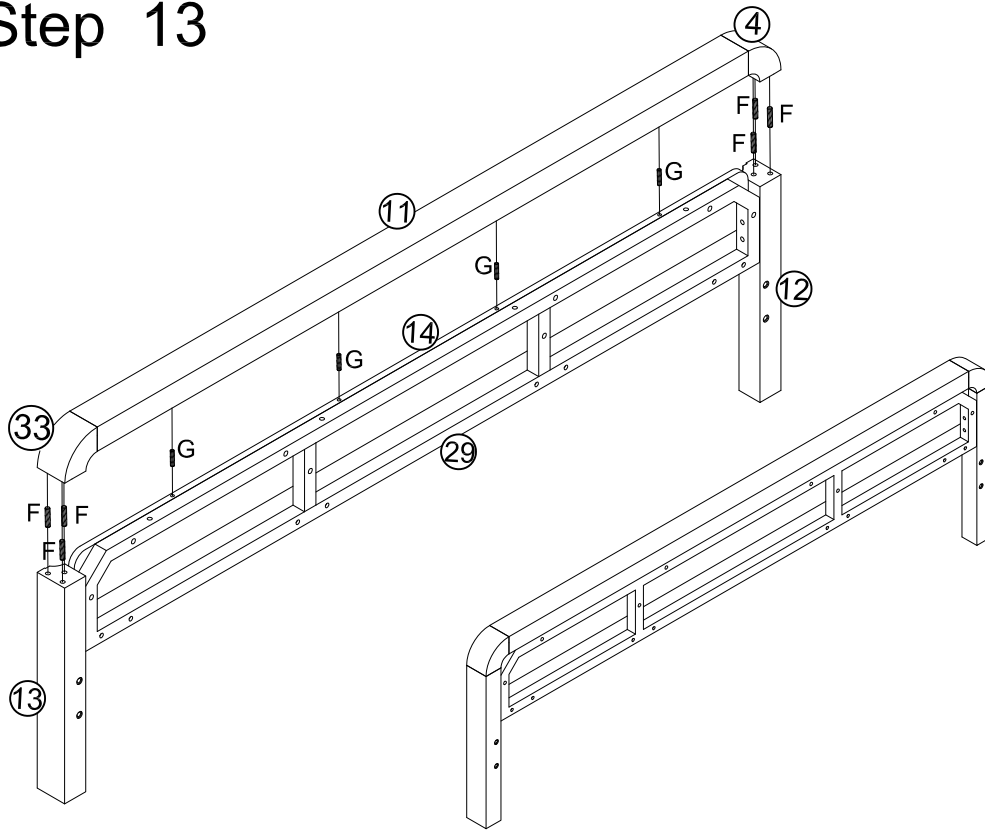
# Step 11





# Step 12

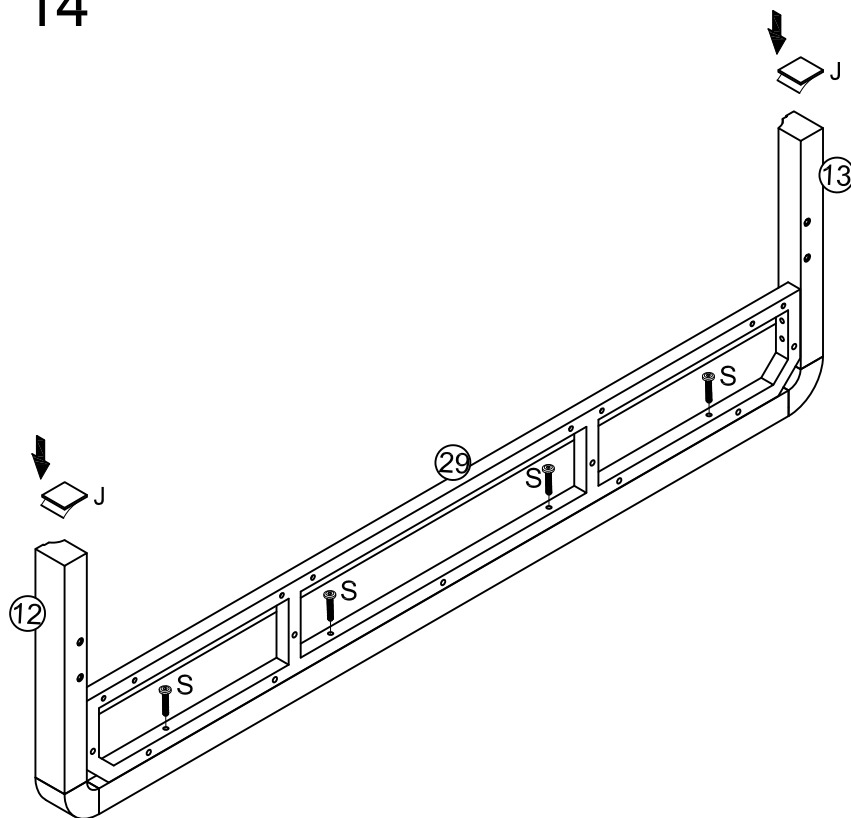





# Step 13



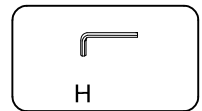
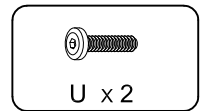
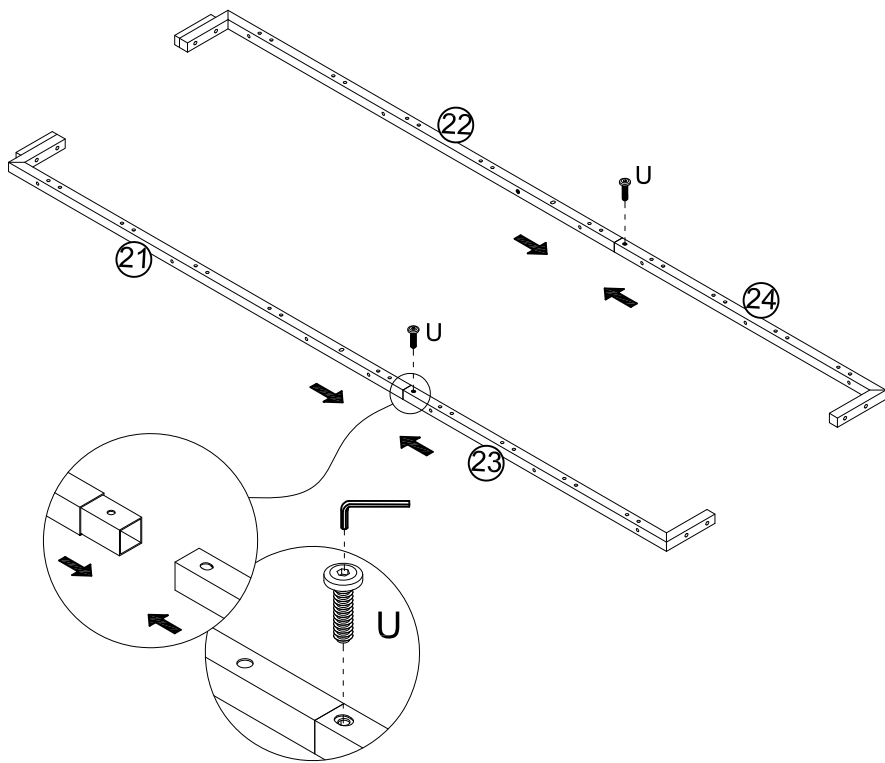
-  G x 4
-  F x 6

# Step 14

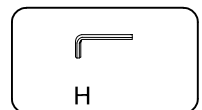
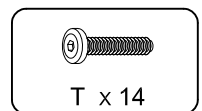
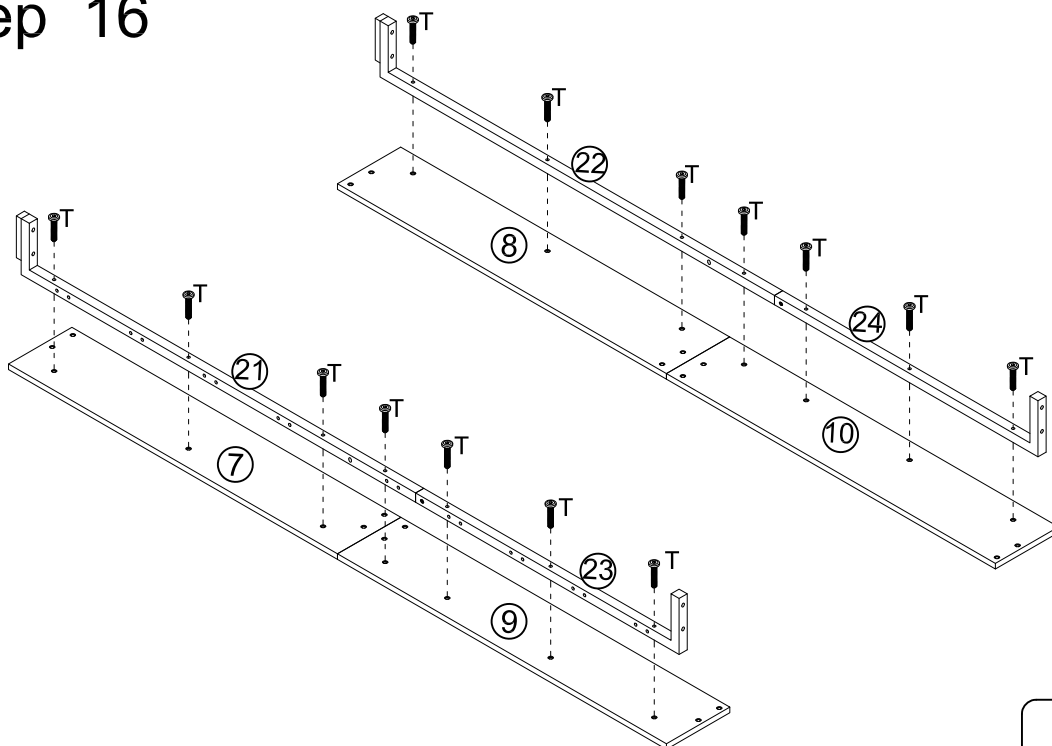


-  J x 2
-  S x 4
-  H

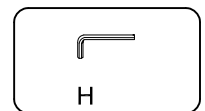
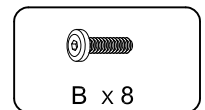
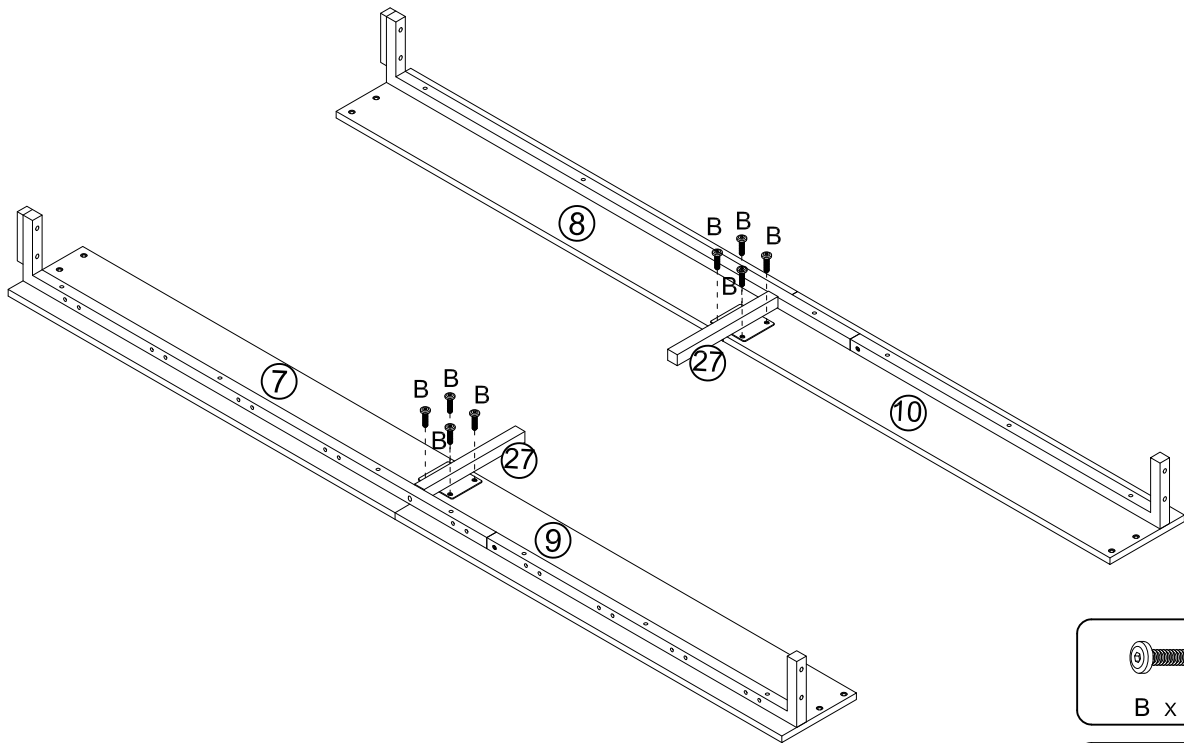
# Step 15



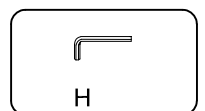
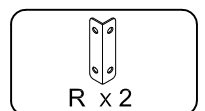
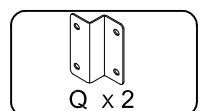
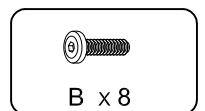
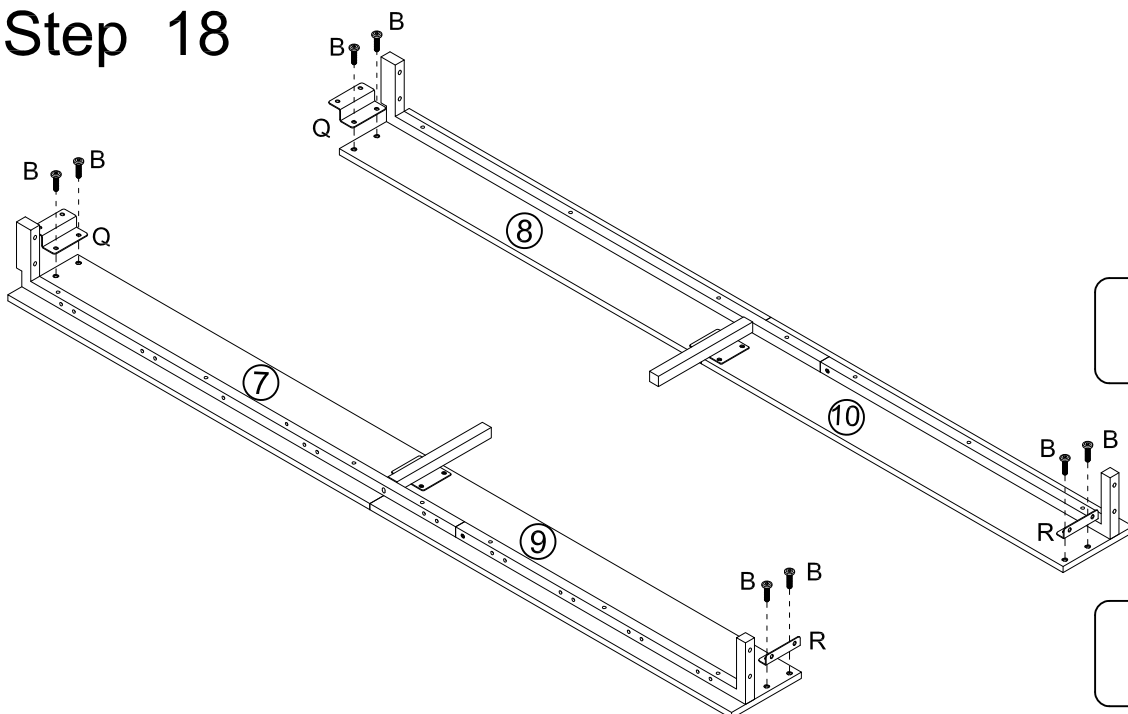
# Step 16



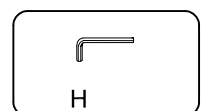
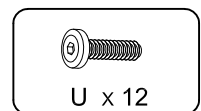
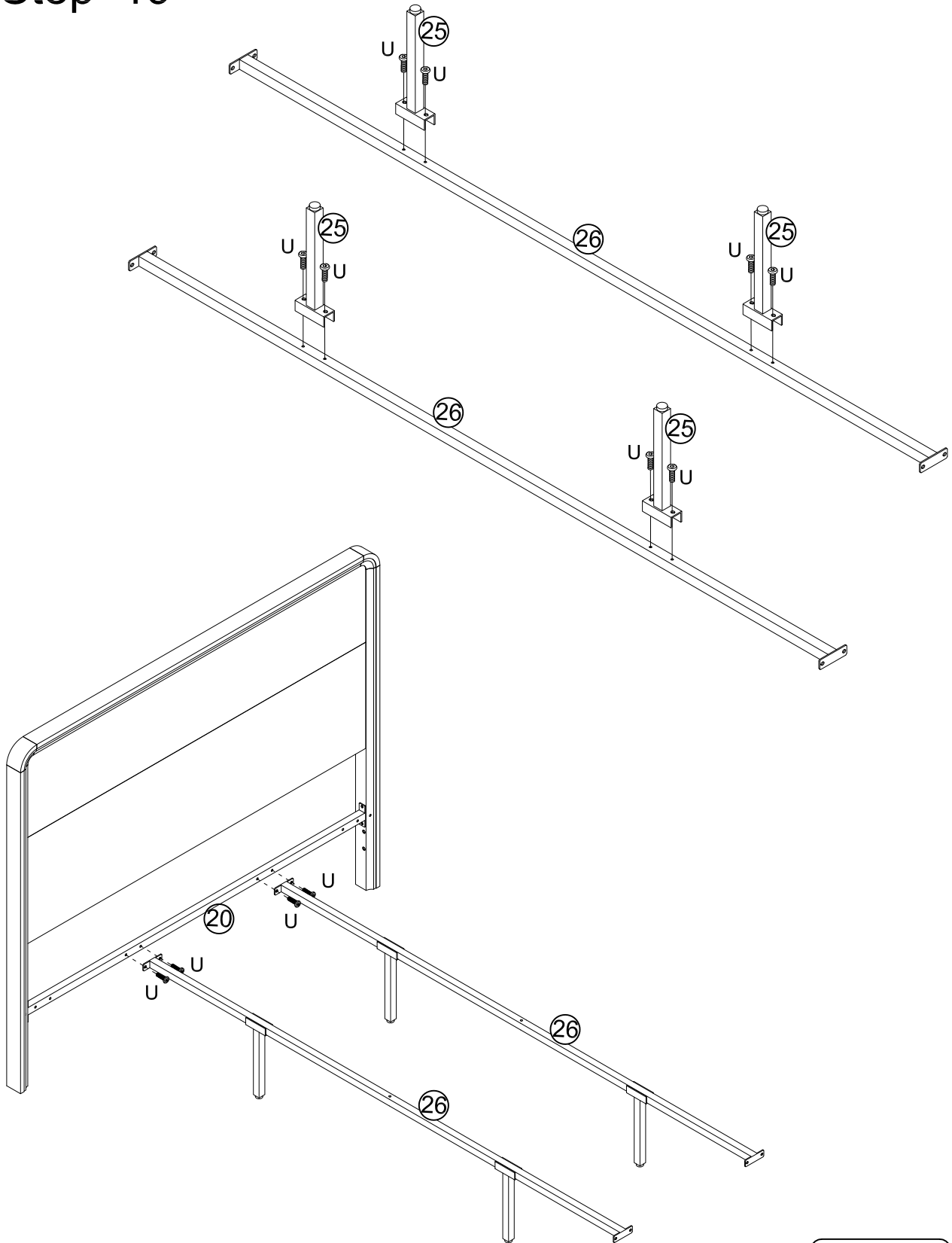
# Step 17



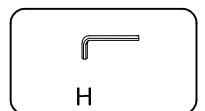
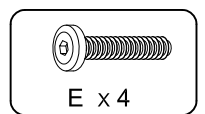
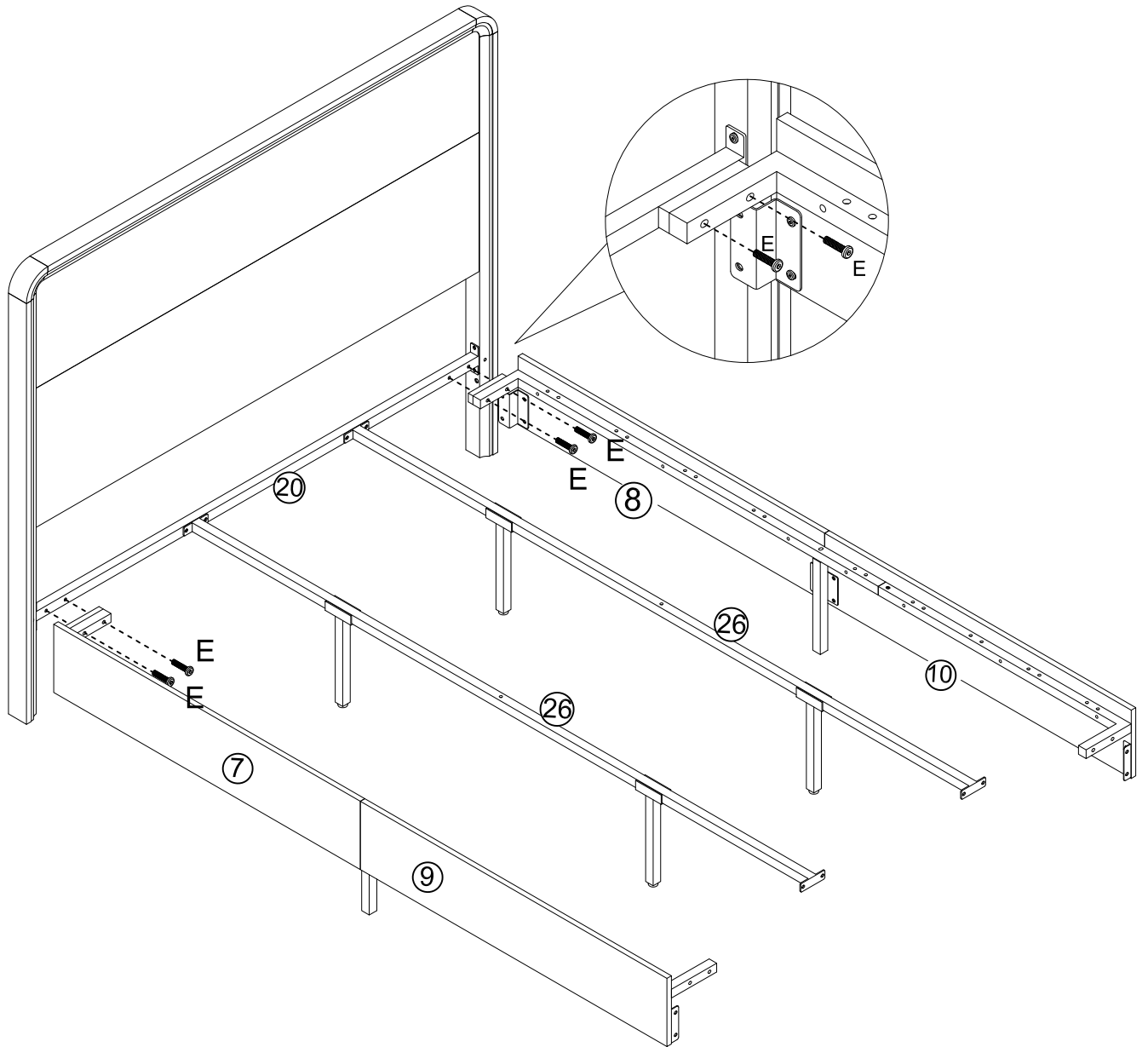
# Step 18



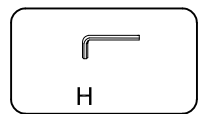
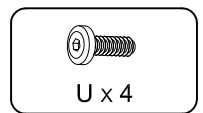
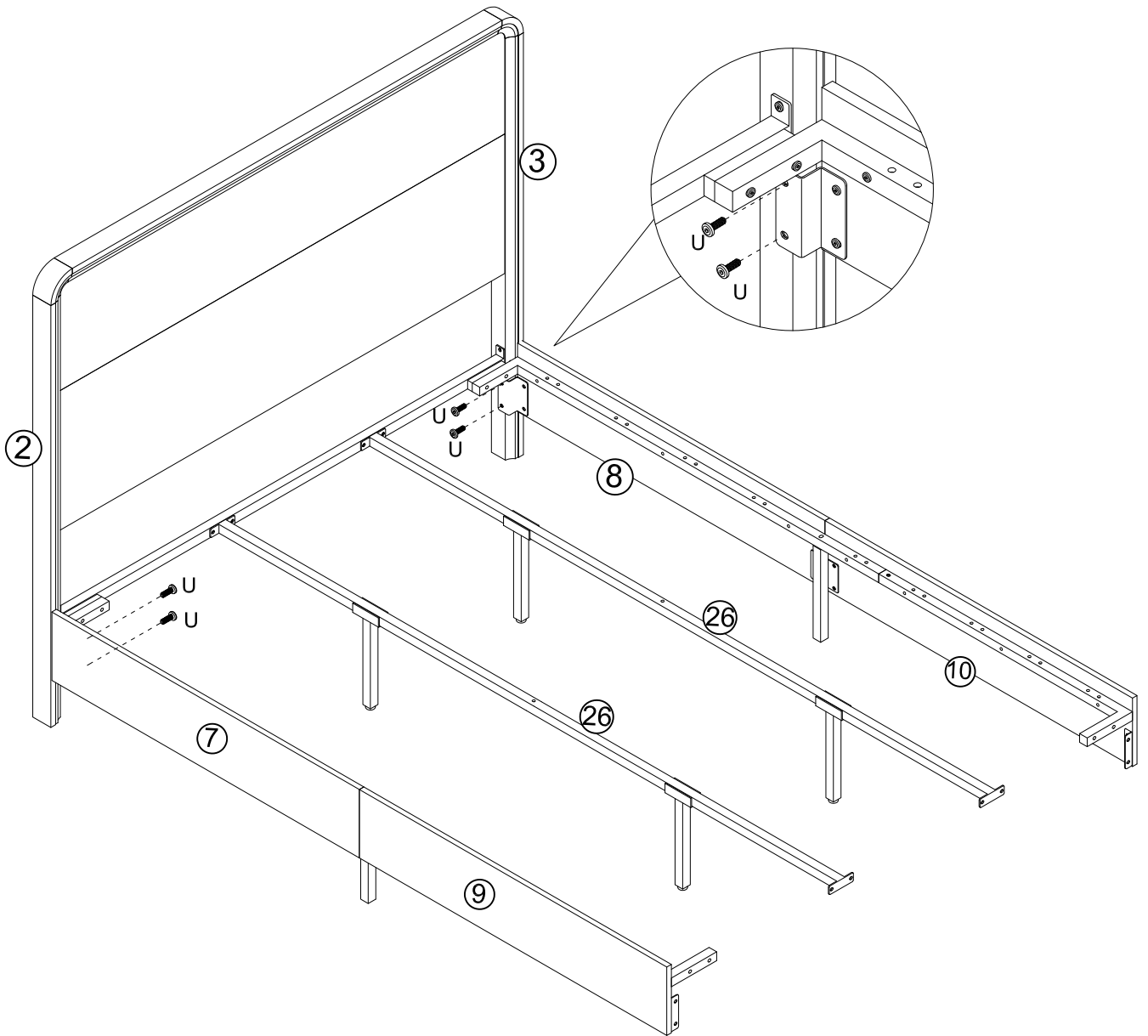
# Step 19



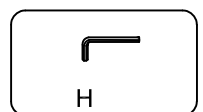
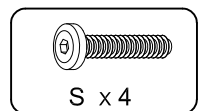
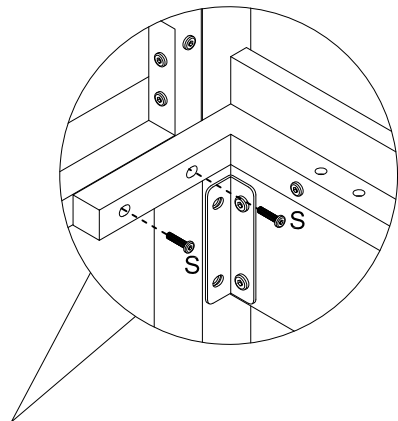
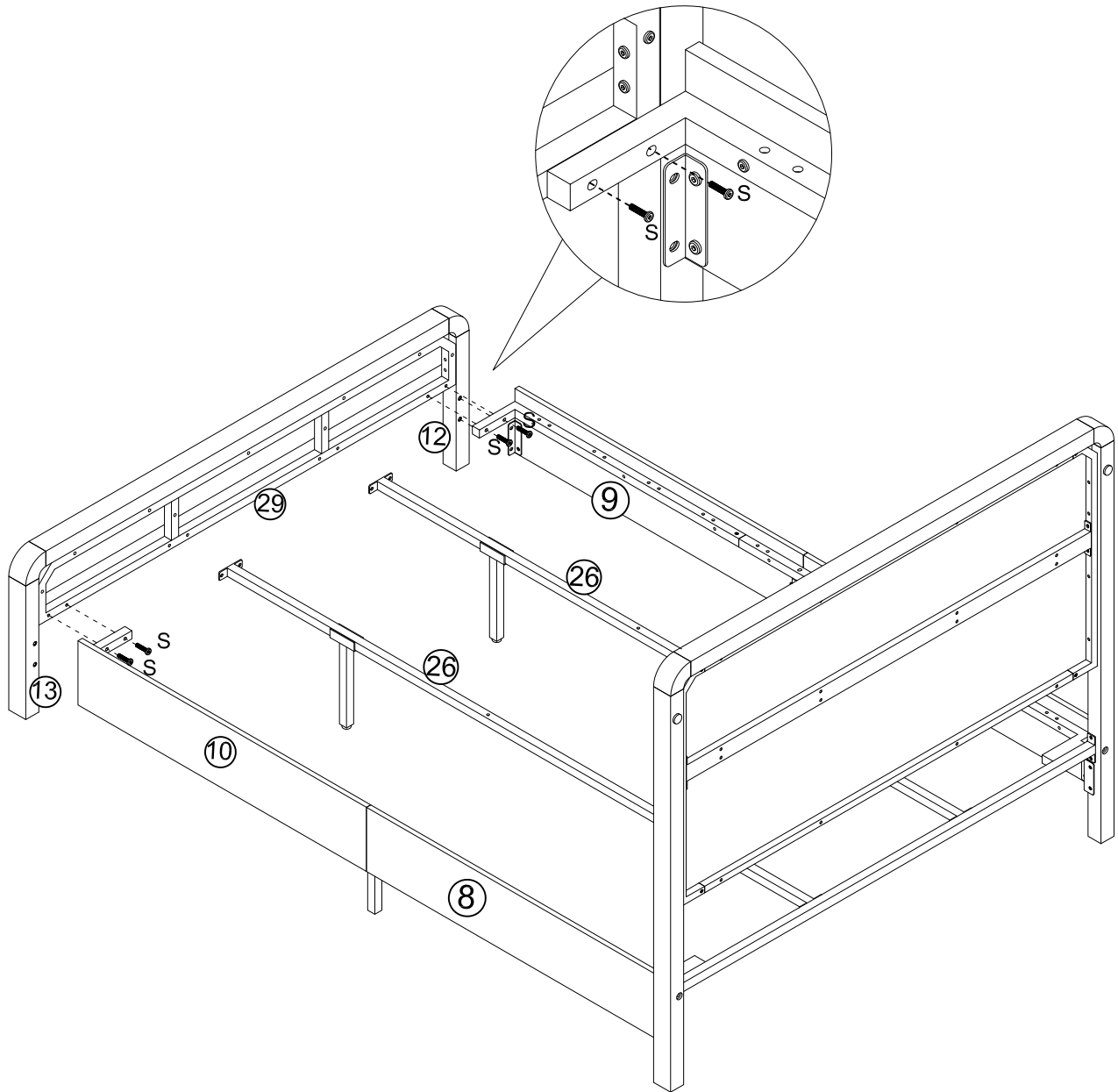
# Step 20



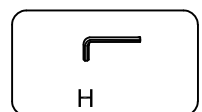
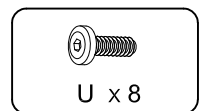
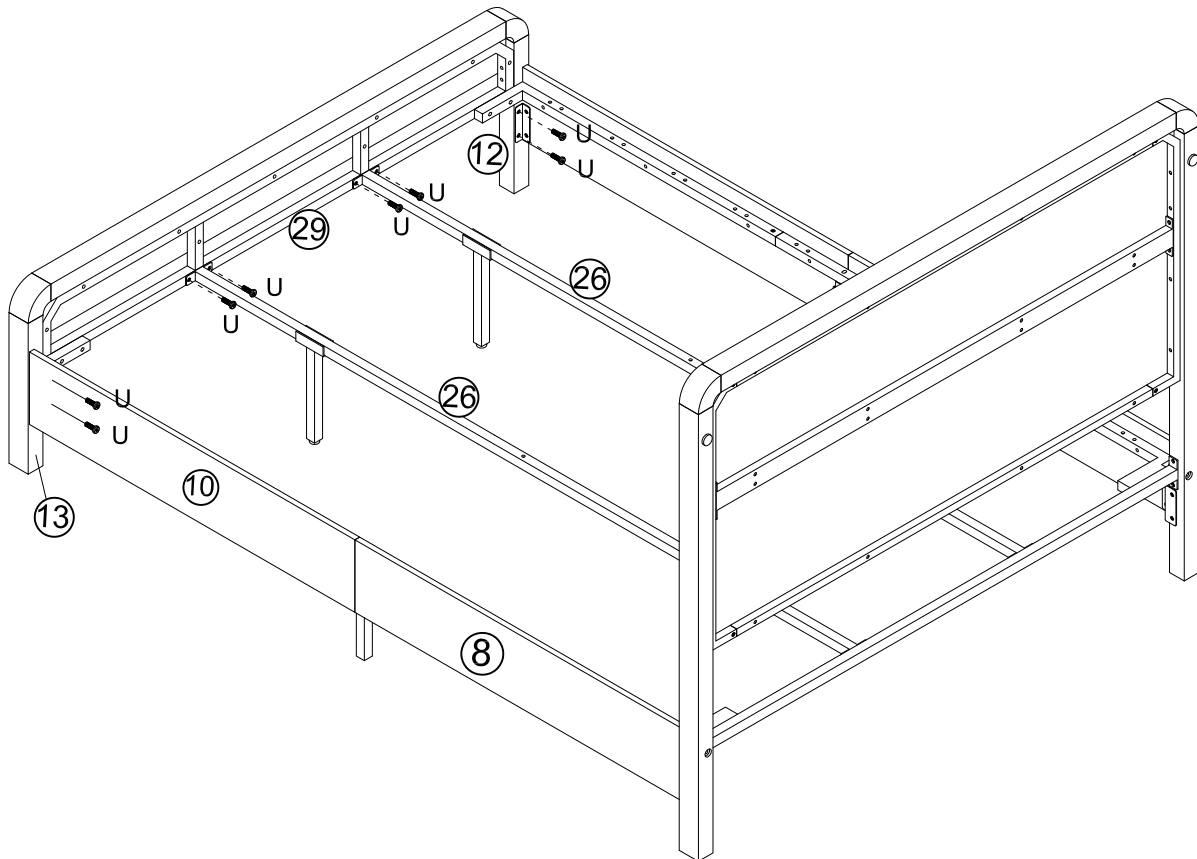
# Step 21



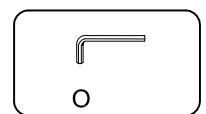
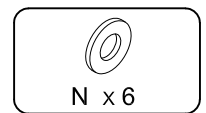
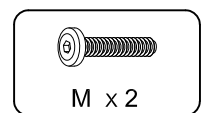
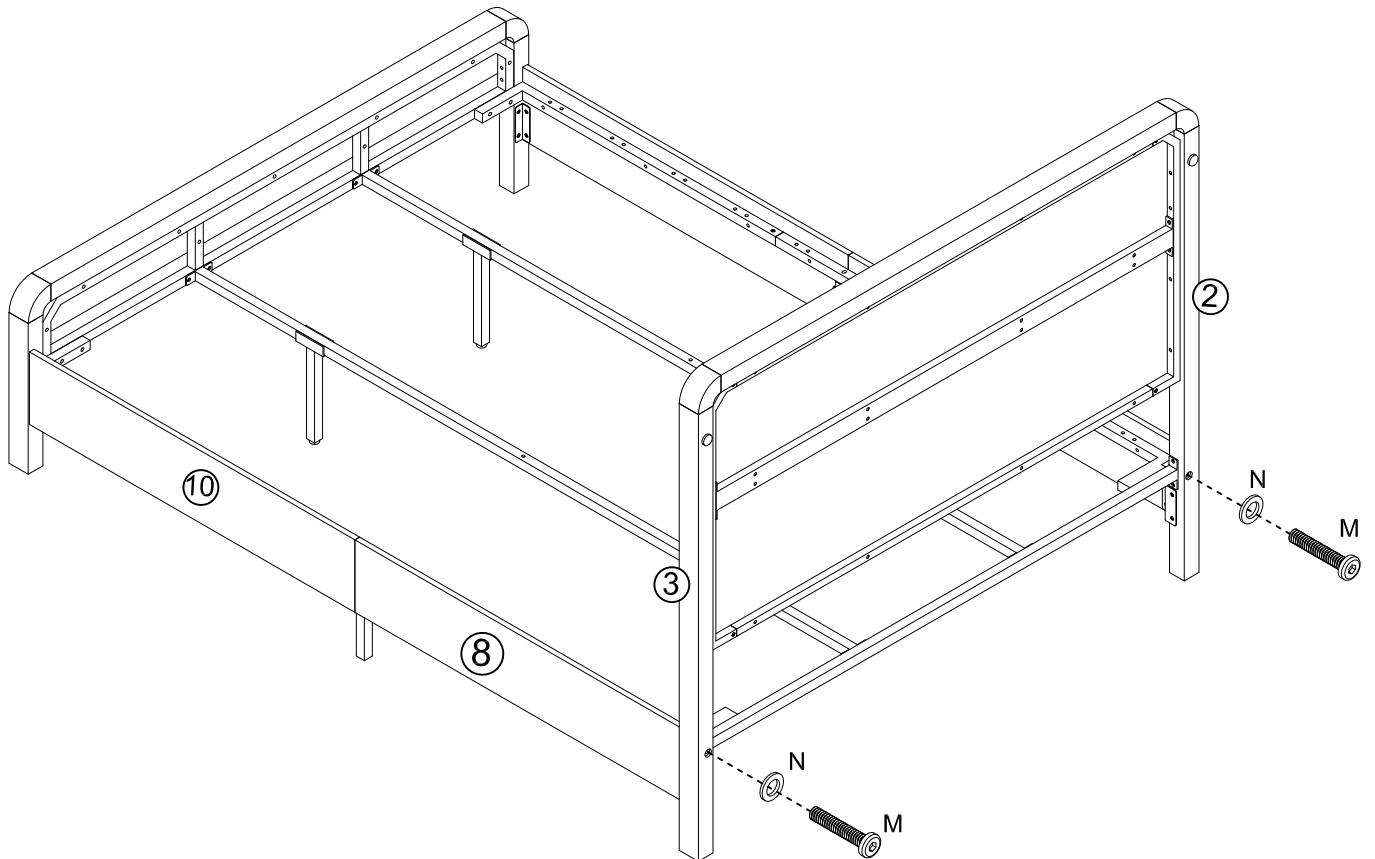
# Step 22



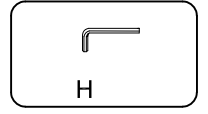
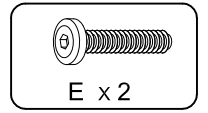
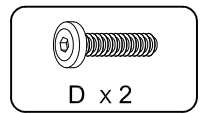
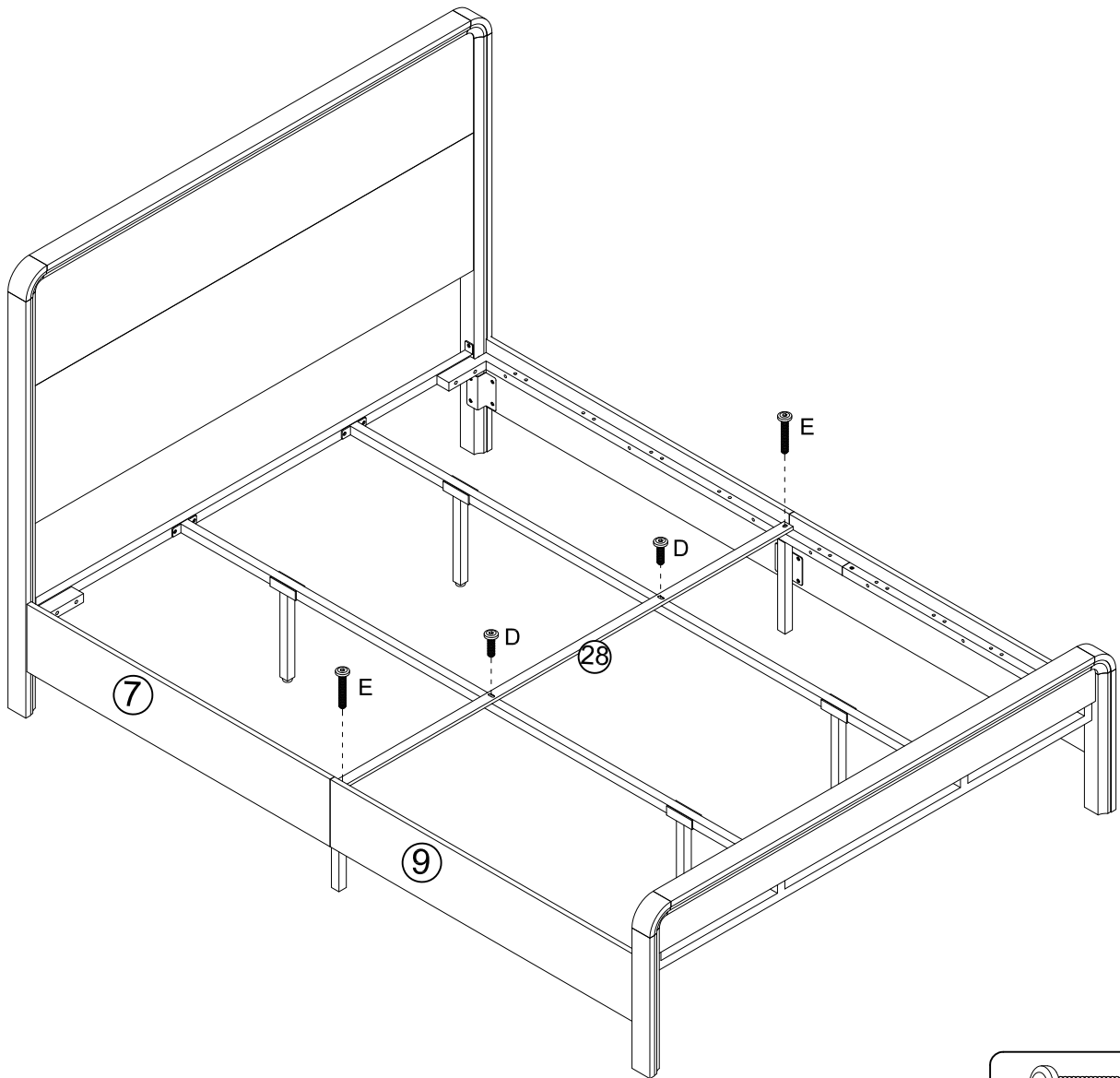
# Step 23



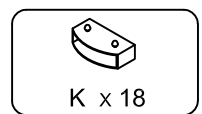
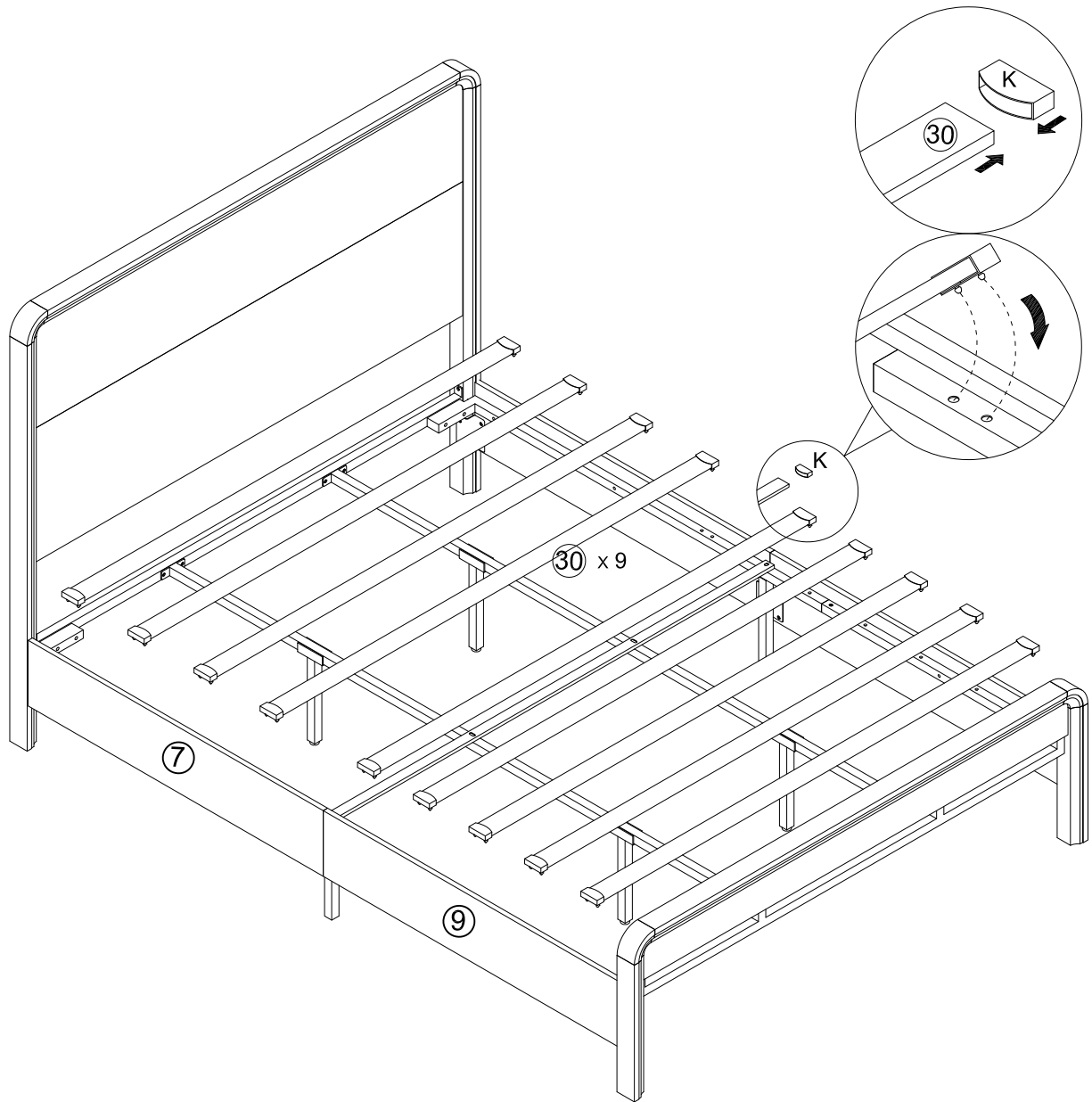
# Step 24



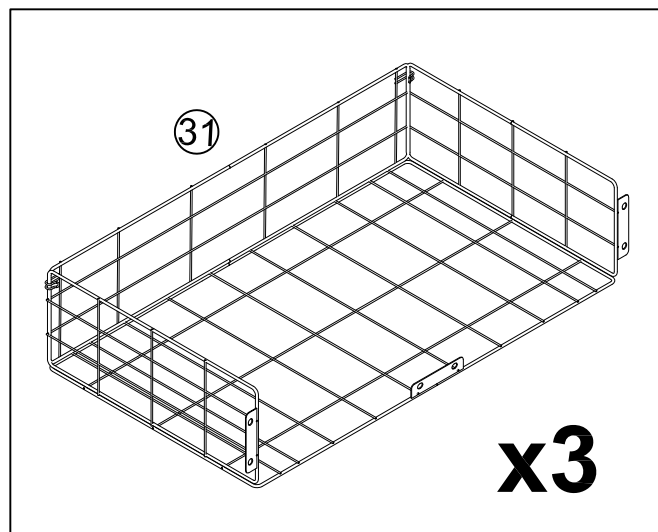
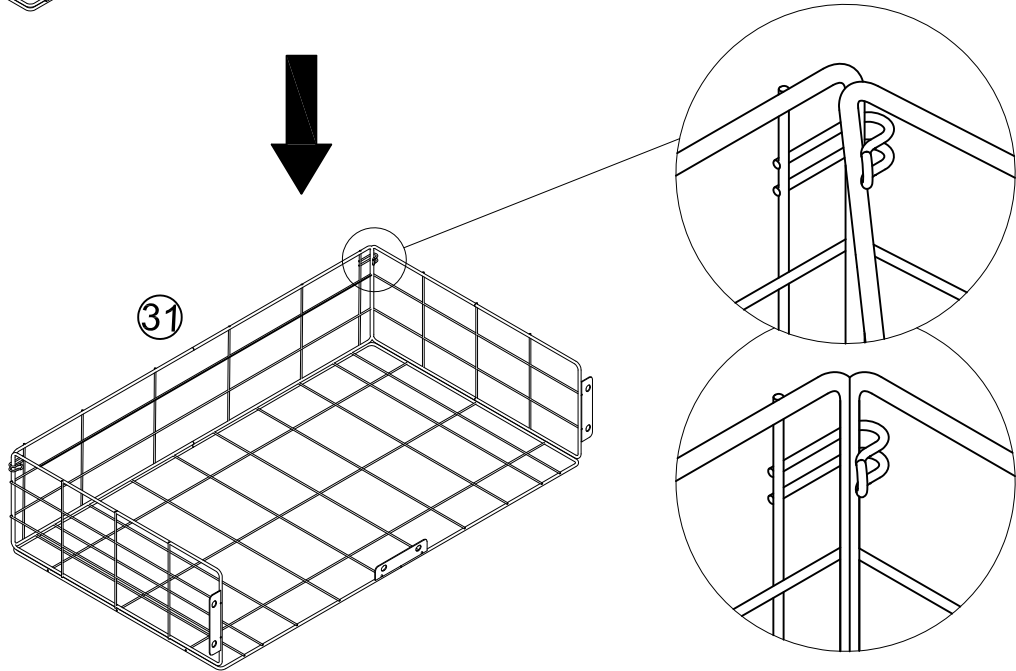
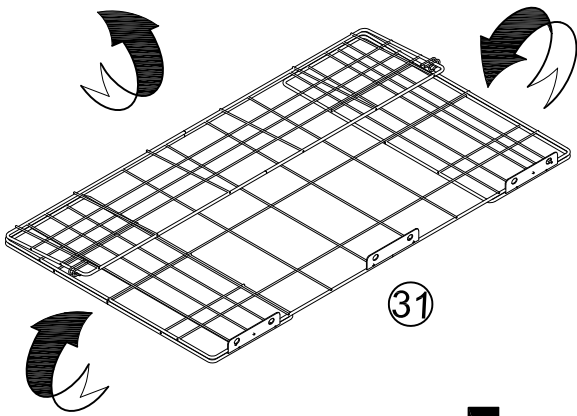
# Step 25



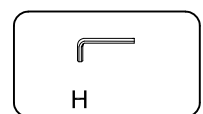
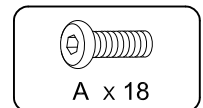
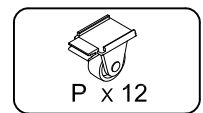
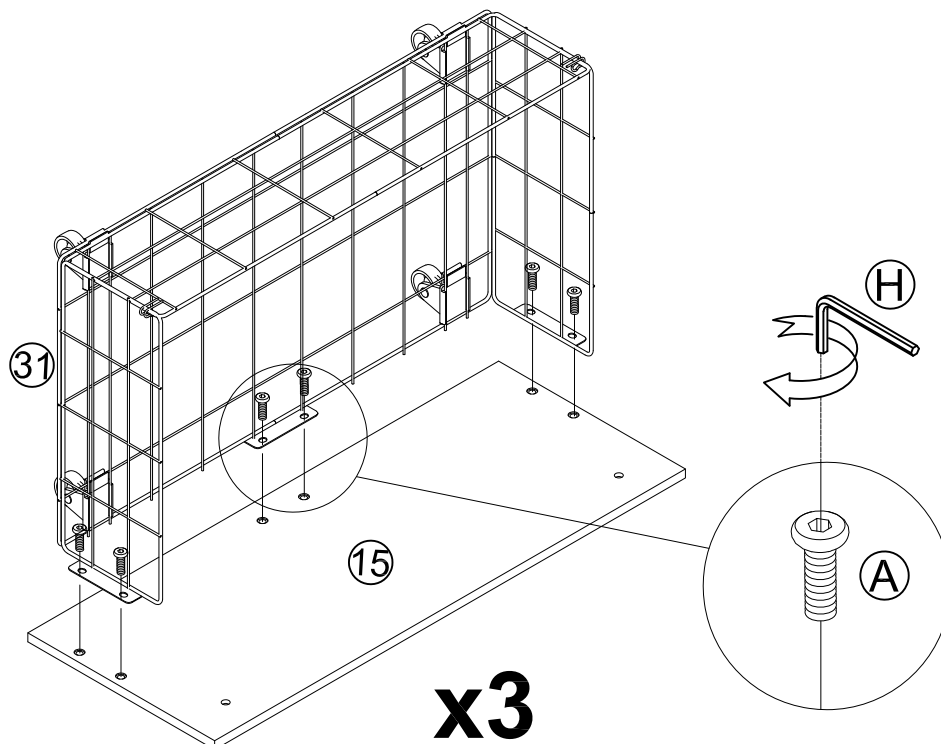
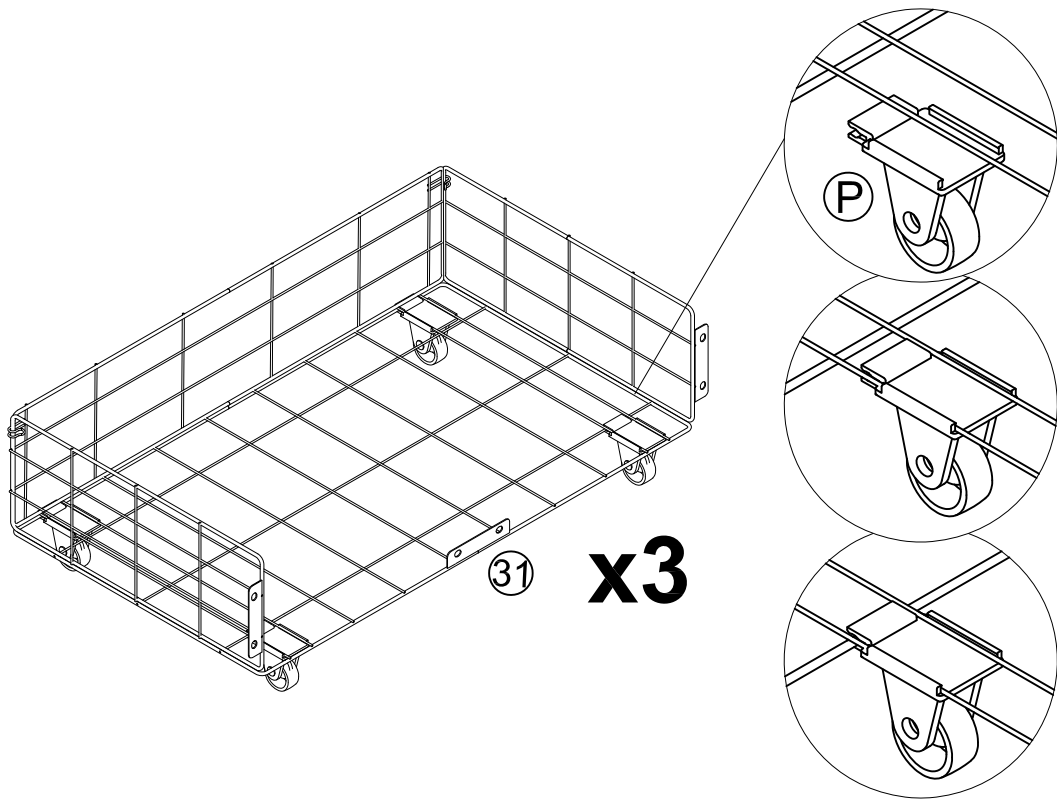
# Step 26



# Step 27



# Step 28



# Step 29

