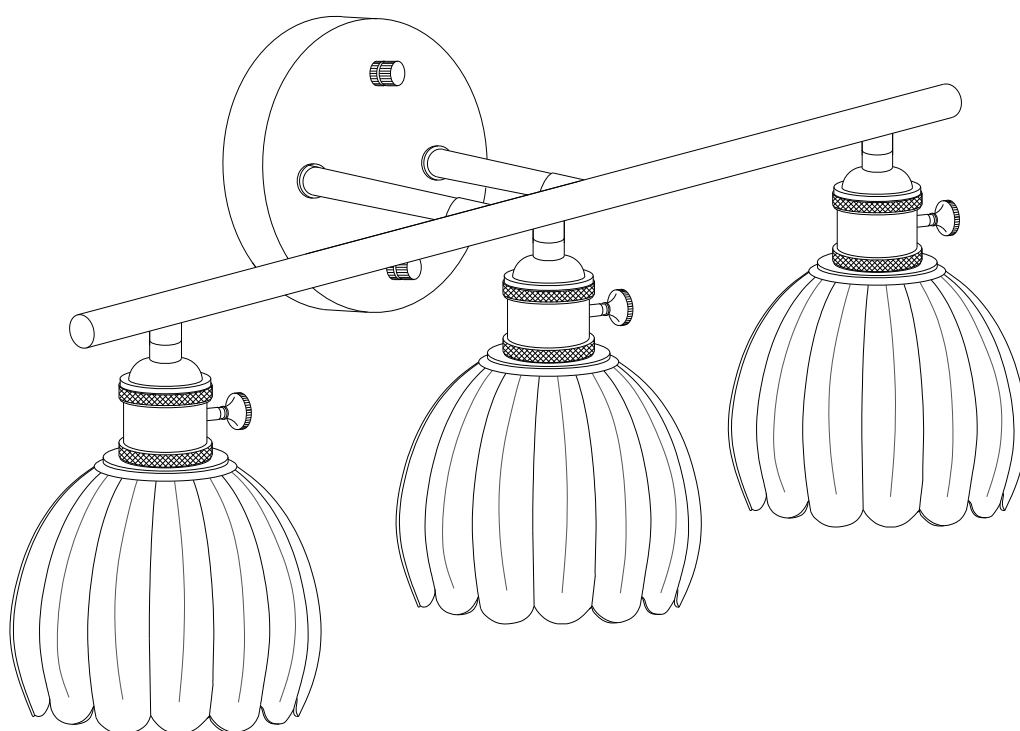
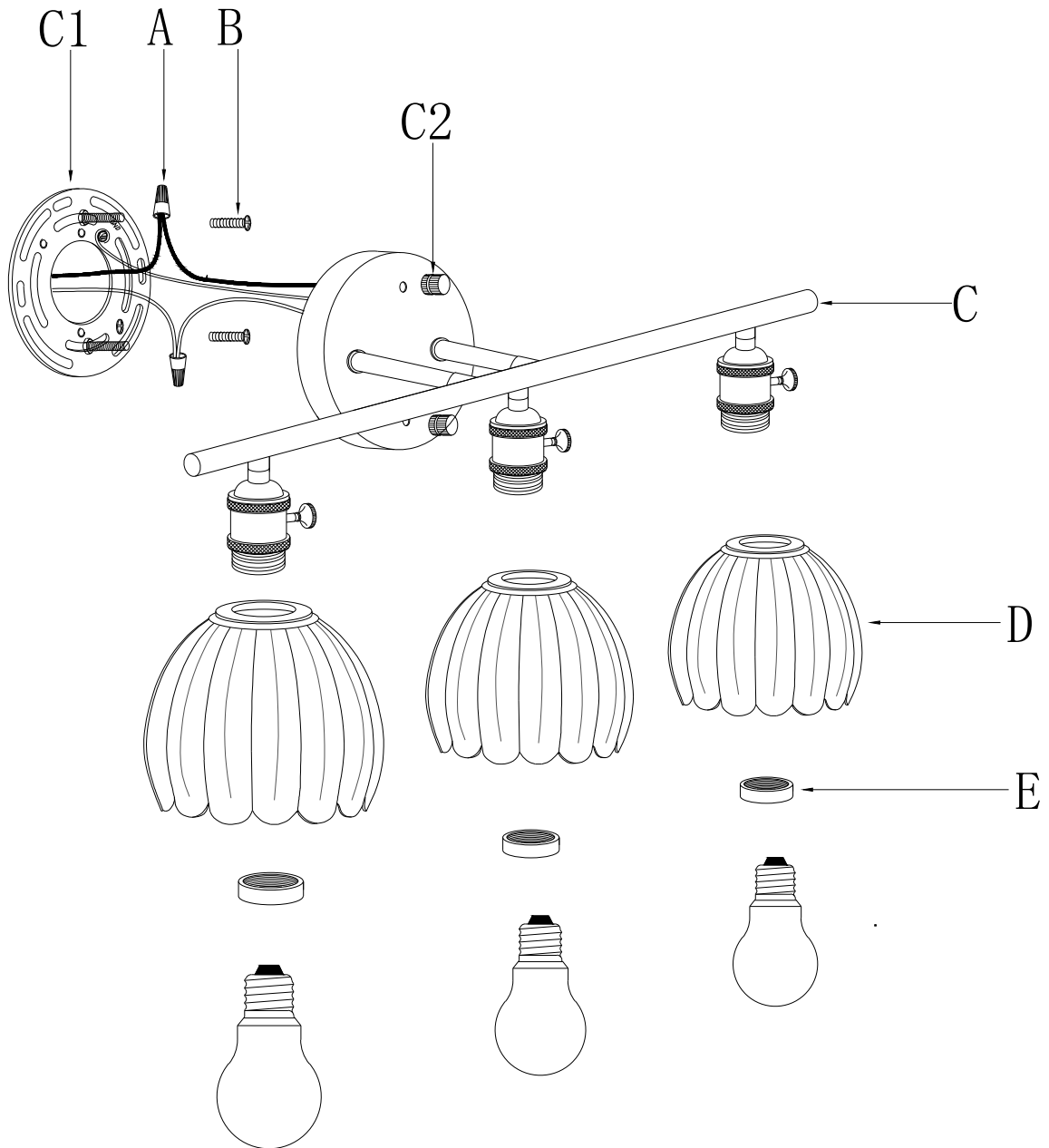



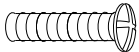
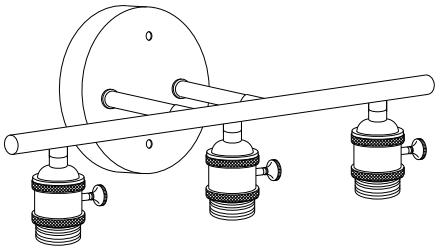
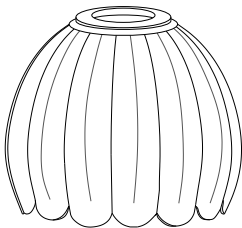
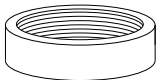
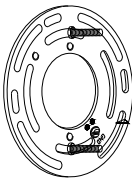

INSTALLATION MANUAL



Open the box, and take out all the accessories
you will get the following items.

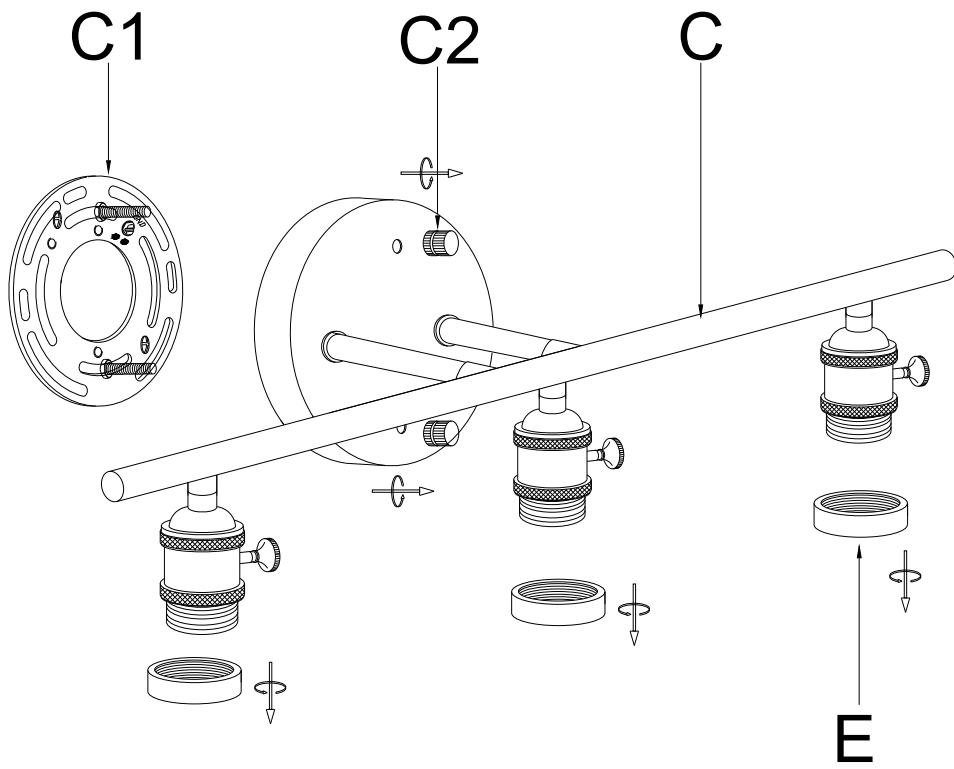


accessories list

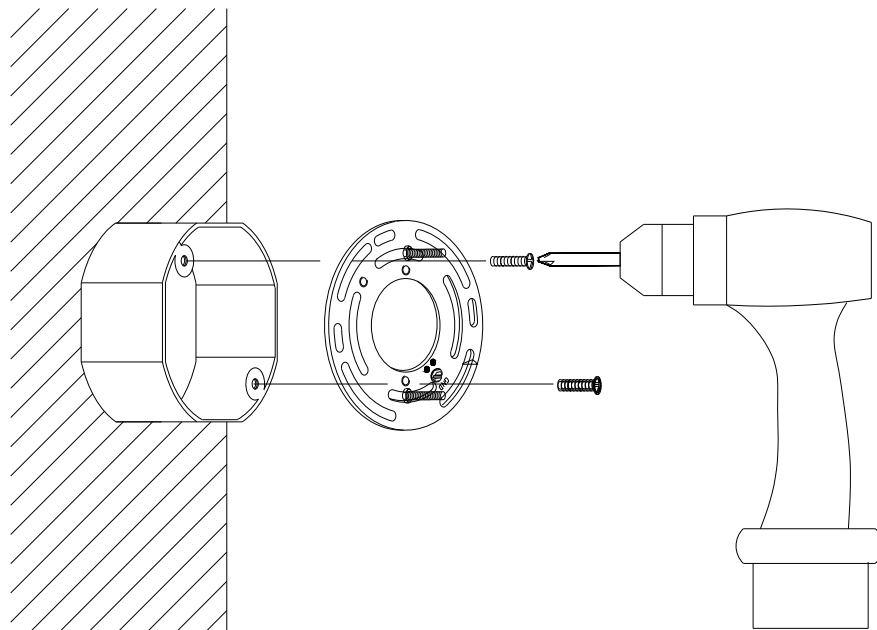
<p>A*3</p> 	<p>B*2</p> 	<p>C</p> 
<p>D*3</p> 	<p>E*3</p> 	  <p>C1*1 C2*2</p>

Serial number	Specification name	QT
A	Wiring cap	3
B	Hanging plate screw	2
C	Wall lamp body	1
D	Glass	3
E	Aluminum ring of the lamp cap	3
C1	Hanging panel	1
C2	Hanging plate screw cap	2

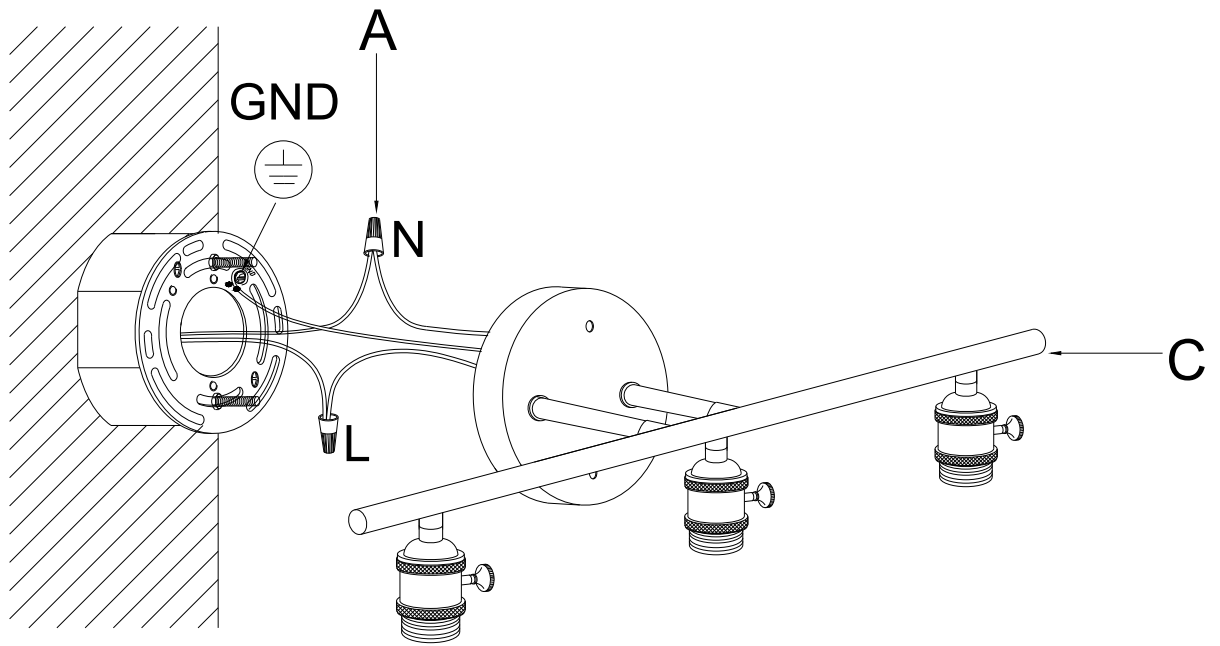
Step 1



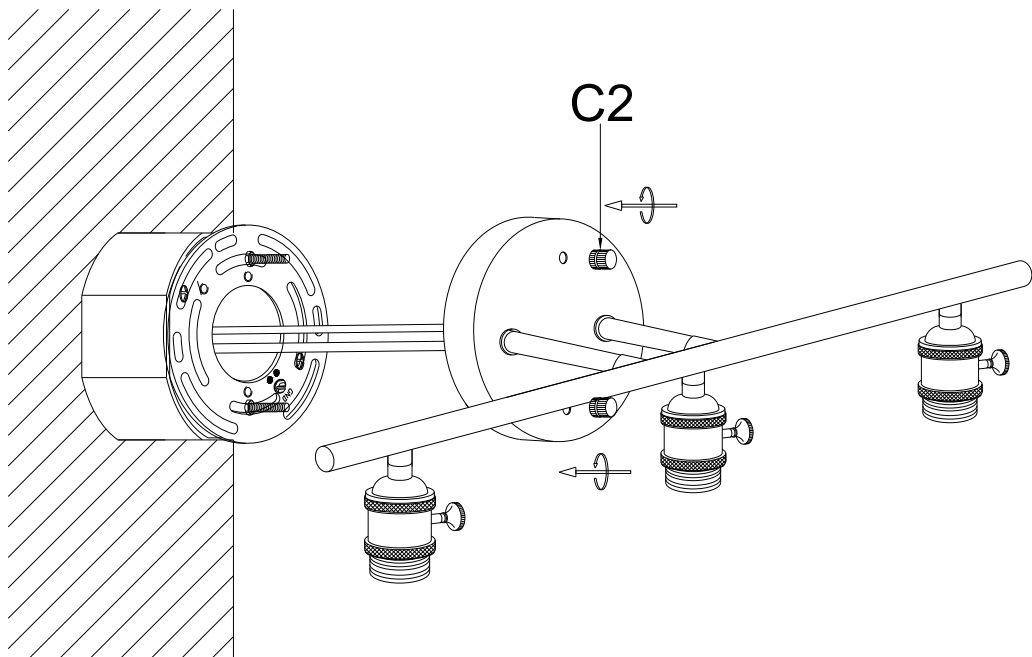
Step 2



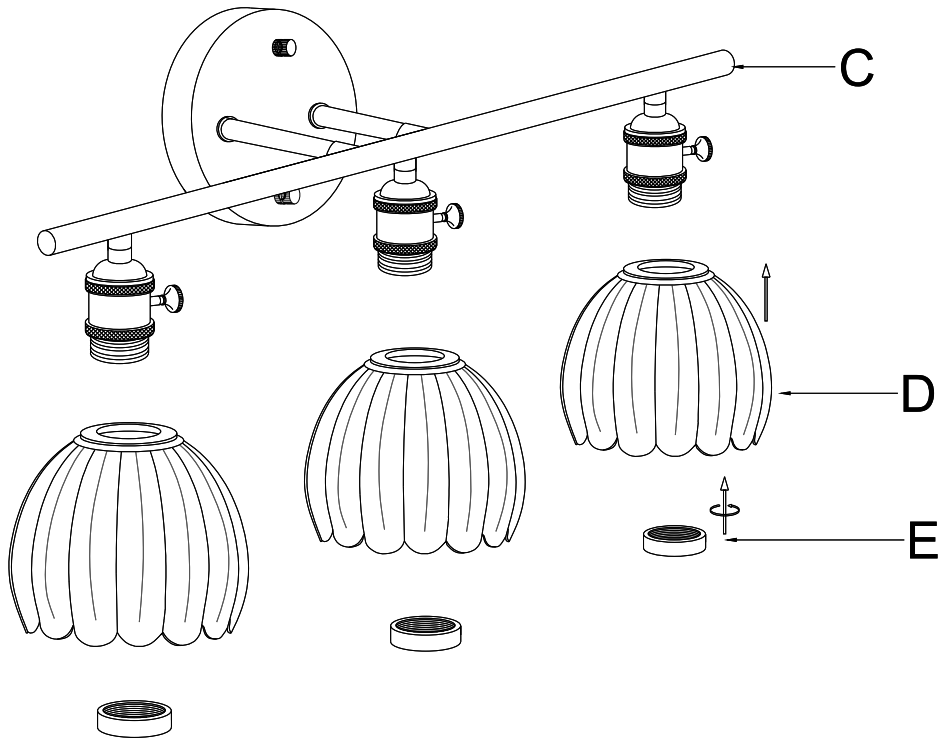
Step 3



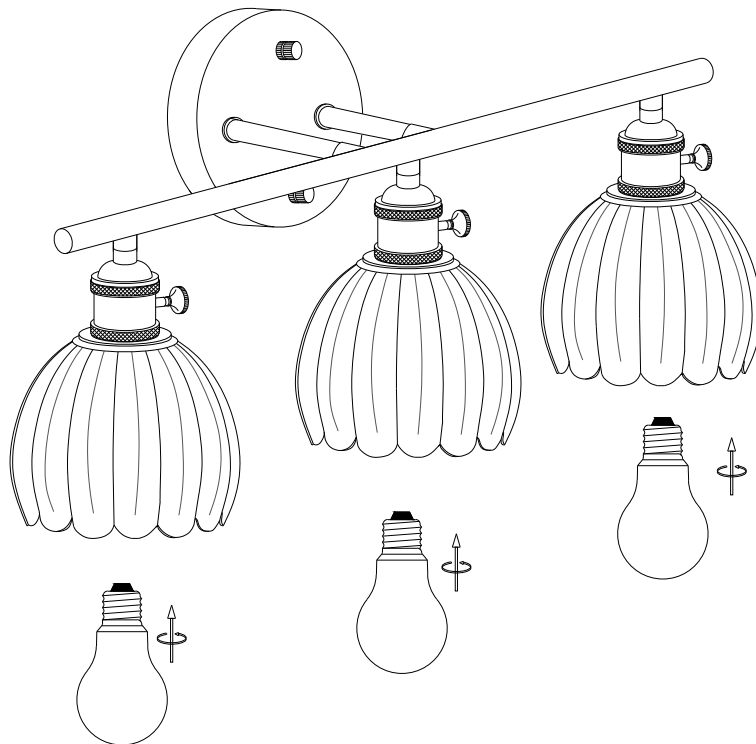
Step 4



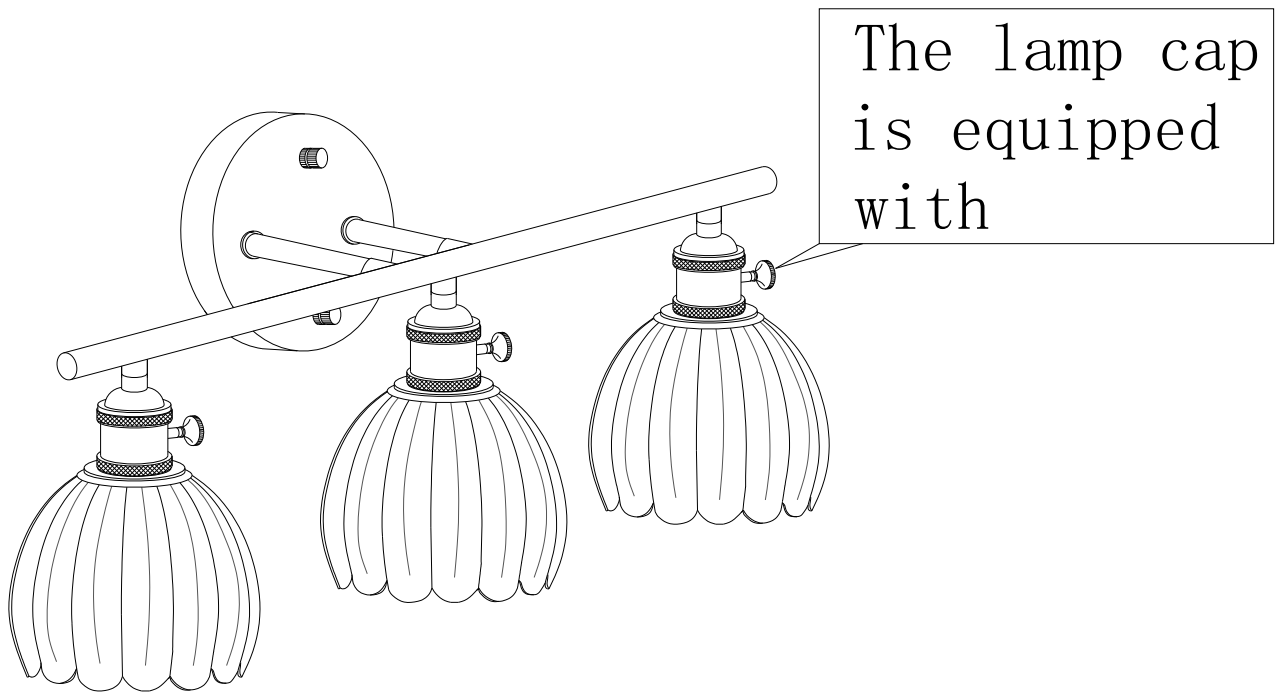
Step 5



Step 6



Step 7



No matter what problems or questions you encounter during the installation or use of the chandelier, please feel free to contact us, we will reply to you within 24 hours and quickly solve or answer for you!

When you leave a message to us online, please leave your order ID and case details. The more detailed and accurate descriptions you provide, the faster and more accurate solutions we will offer!

SAFETY INSTRUCTIONS

These instructions are provided for your safety. It is very important that you read the instructions completely before starting the installation of our fixture.

1. We recommend installation by a licensed electrician.
2. This fixture requires E26 bulbs (NOT INCLUDED) and bulb rated wattage: Max 10W. Low wattage LED bulbs are recommended. To avoid risk of fire, do not exceed the recommended wattage.
3. If any special control devices are used with this fixture, follow the instructions carefully to assure full compliance with N.E.C. requirements. If there are any problems, contact a qualified electrical contractor.
4. Please ensure that you shut off the main electrical supply before installation, changing bulbs or cleaning light fixture.

WARNINGS

This is not a toy and the product has no play value.
Keep at least 3 feet away from cribs, bassinets and toddler beds.
Keep out of reach of children under 3 years of age.



PREPARATION

1. Please prepare the E26 lightbulbs you purchased in advance.
2. Please keep the installation position clean and tidy so as not to miss the small accessories.