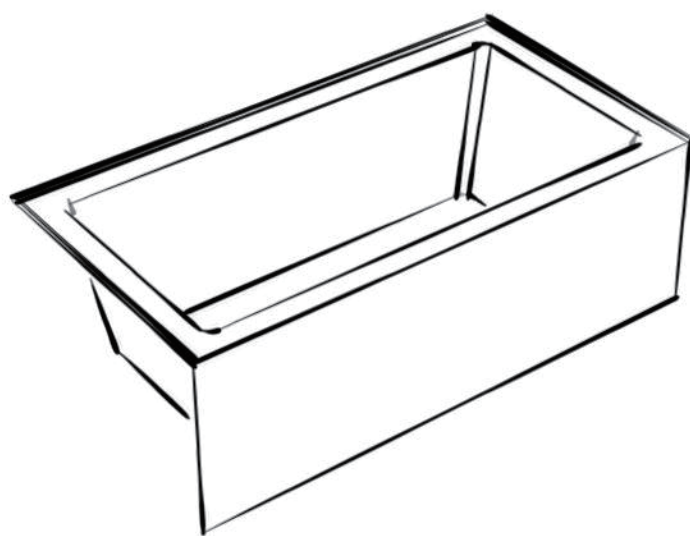
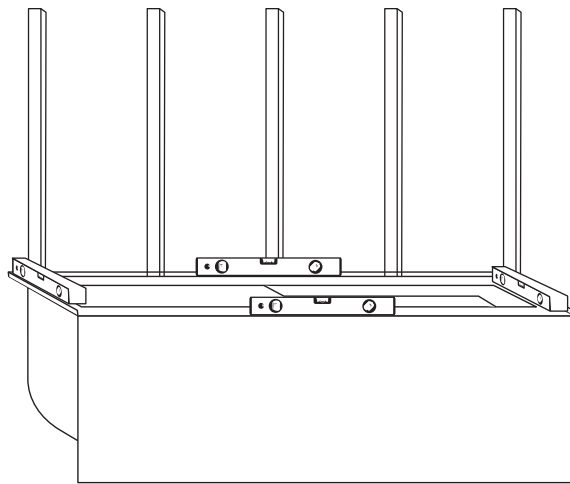


INSTRUCTION OF BATHTUB

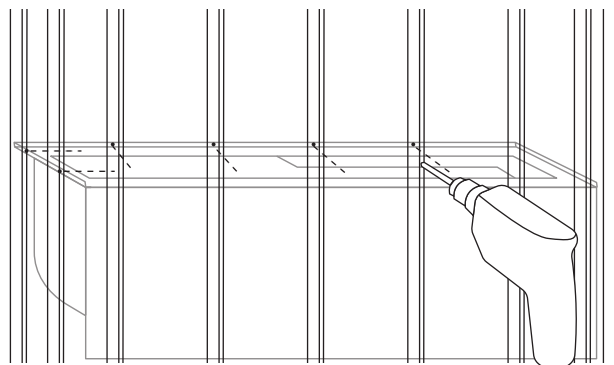


Step of the installations:

1. Set your tub adjacent to its permanent location place a protective cover inside the tub to prevent damage during installation to the acrylic surface. Cestly to repair.
2. Your tub may have leveling legs or pads for support at the back, If your tub has leveling legs, insure that they are firmly in contact with the floor after leveling. Otherwise the bathtub will squeak and crack when you get in and out. If your bathtub has support pads on a level floor, the tub should fit fairly level, if not, level the bathtub with wood shims under the support pads.
3. Check that the water supply lines and sanitary connection are property roughed-in.
4. Ensure that the floor is firm, squeak-free and level.
5. Cet the tub in place. Confirm that the tub is level from end to end and side to side to ensure proper drainage.

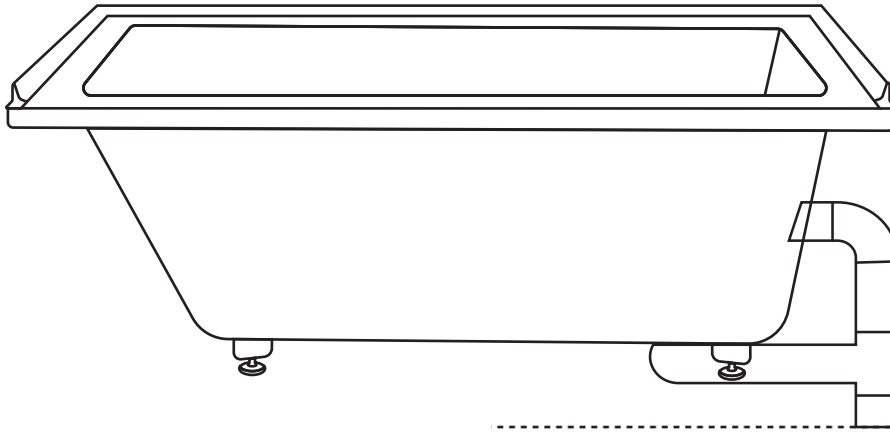


6. Pre-drill the tilling flange at studs locations. Attach the tiling flange to the 2eix4ei studs with coated screws, ensuring that no weight is being camed by the bathtub tilling flange.



Step of the installations:

7. Install water supply fittings. Connect waster and overflow.



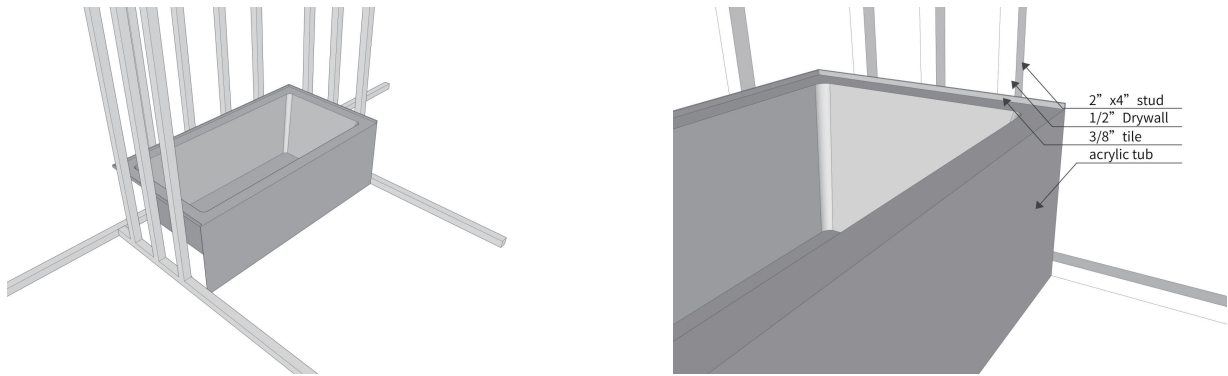
8. Drywall can now be installed around the enclosure, butting up to the top of tiling flange.

9. Its preferable to leave 1/16" to 1/8" gap between the tile and tub surface.

10. After installation of wall tiles, apply silicone to the joint between the tub ledge and the tiles.

Noticing:

1. When fill water into the bathtub, the water temperature should be below 80 degree centigrade.
2. Please remember that you do not lie in the bathtub for too long time, otherwise, it causes you be tired so that do harm to your health. We suggest you had better in thebathtub for 20 minutes at most.



Maintenance:

1. To keep the bathtub away to touch any painting, enamel, organic impregnant, the lighting smoke stump etc.
2. Only wash it with the soap water instead of any steam and grinding tings
3. To keep it dry and clean.We suggest you fill up it with some cold water or slight warm water firstly.

Please scan the QR code to get the installation video of hand-tightening drain device .

IOS system, open the phone's camera and scans.
Android system, open the phone scanner.

If you have any questions, please contact us.



Scan the QR code