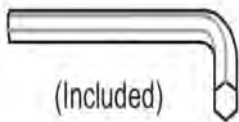


# ASSEMBLY INSTRUCTIONS

## TOOLS REQUIRED



(Included)

Allen Wrench



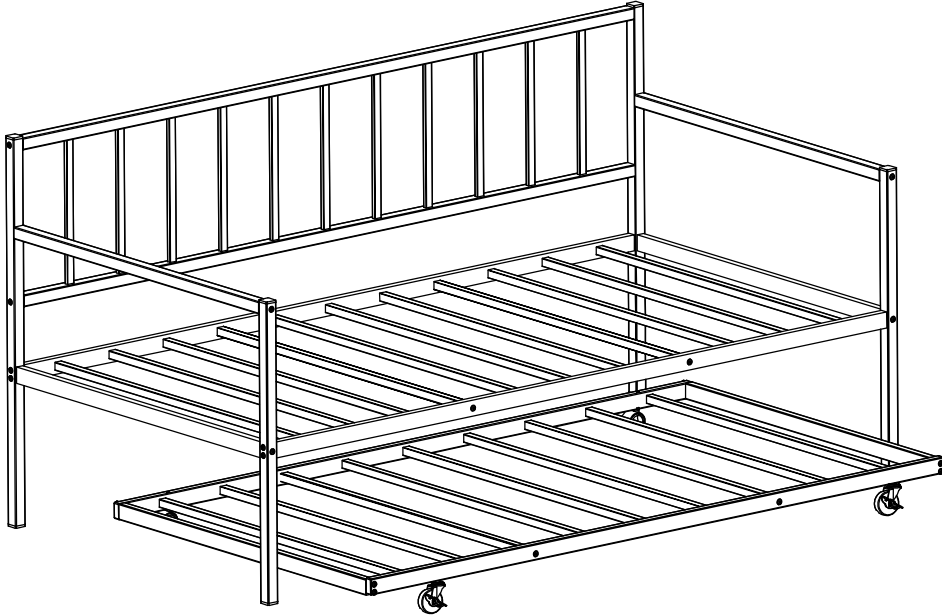
2- People

## ASSEMBLY RATING



EASY —————> DIFICULT

The Assembly Rating is a 5-point system showing the level of effort needed to assemble a speccific product.





## **CHECK BEFORE STARTING**

### **Are you missing anything?**

Double-check all parts, hardware and accessories listed are all accounted for.

### **Check out our Quick Tips!**

We recommend reviewing the pre-assembly handouts. Even experts need a refresher now and then!

### **Should we send any replacements?**

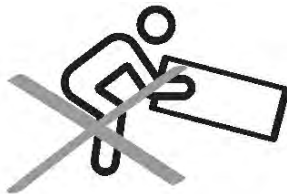
Are there any irregularities or flaws in the parts? We can send replacements!

### **Prep Time!**

Please review the assembly instructions and all diagrams prior to assembling.

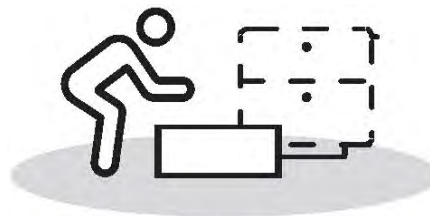
# PRE ASSEMBLY INTRODUCTION

We understand building ready-to-assemble furniture can be a challenging experience for some. To help avoid confusion, we have provided some helpful tips that may speed up the process.



## Teamwork

ALWAYS have at least two people to help with transporting and assembling the product to avoid potential injury and/or damage.



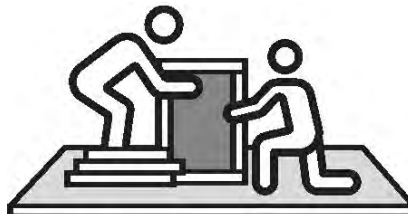
## Suitable Location

Assembling near the area of the intended location is highly recommended.



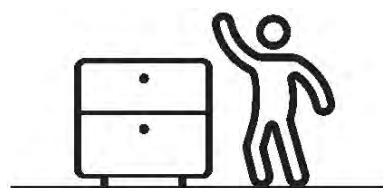
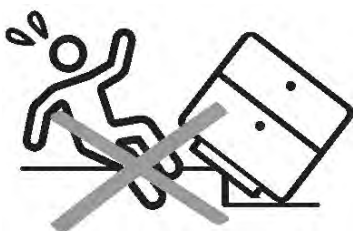
## Sufficient Space

Make sure you have enough space to move around during the assembly.



## Avoid Scratches

Use cardboard, blankets or a carpeted area while assembling furniture to prevent to prevent scratches and damages.



## Flat Surface

Make sure the furniture rests on a flat and level surface with each leg evenly touching the floor.

# ASSEMBLY AND CARE ADVICE



FAILURE TO FOLLOW THE GUIDELINES BELOW MAY RESULT IN INJURY AND/OR PROPERTY DAMAGE.



Position each part correctly and insert screws or bolts into their respective holes



Turn clockwise to tighten and only tighten when step is completed or when instructed to do so.



Use the appropriate hand tools or power tools for assembly. Select steps, such as tightening screws and/or bolts, may require hand tools to avoid causing damage during assembly.



Save the instructions and store any supplied tools for later maintenance.



After two weeks, check and tighten any loose hardware and repeat again every six months thereafter.

IT IS USER'S RESPONSIBILITY TO MAINTAIN THE FURNITURE. THE HARDWARE MAY LOOSEN OVER TIME AND MAY CAUSE THE FURNITURE TO BE WOBBLY AND UNABLE TO SUPPORT ITS INTENDED WEIGHT CAPACITY. THIS MAY LEAD TO COLLAPSE AND MAY CAUSE SERIOUS INJURY.

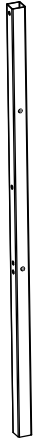
# METAL DAY BED



- Please keep instructions for future reference.
- Check the quantity and irregularity of parts and hardware before you start.

## PARTS

#1 x2



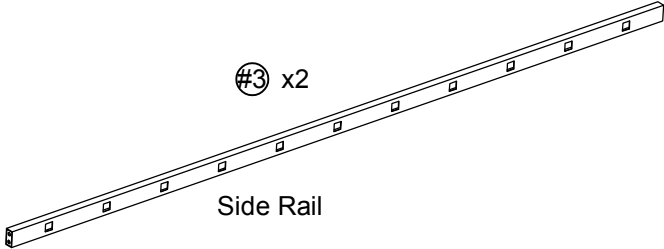
Bed Post

#2 x2



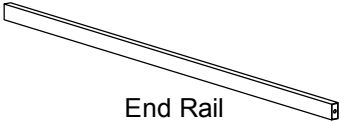
Bed Post

#3 x2



Side Rail

#4 x2



End Rail

#5 x2



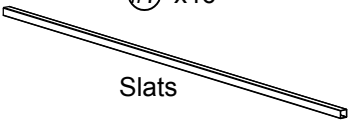
End Rail

#6 x4



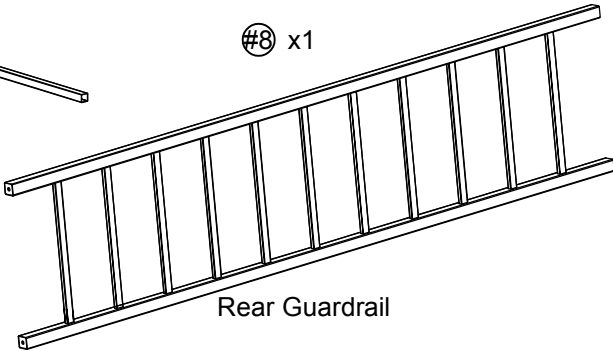
Slats With Screw

#7 x16



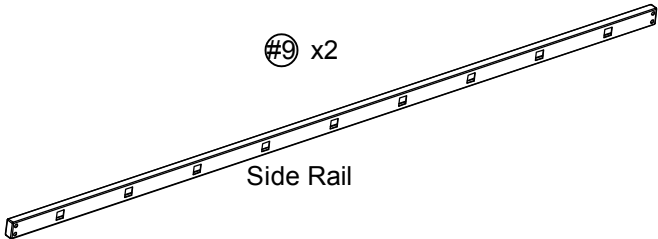
Slats

#8 x1



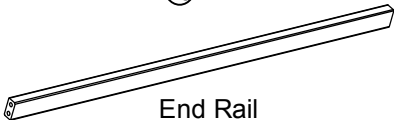
Rear Guardrail

#9 x2



Side Rail

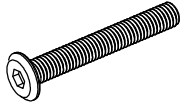
#10 x2



End Rail

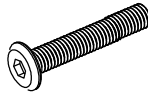
# HARDWARE

#A x20



Bolts 1/4" x 50

#B x8



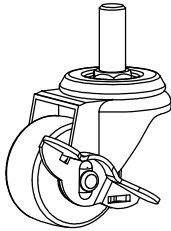
Bolts 1/4" x 40

#C x8



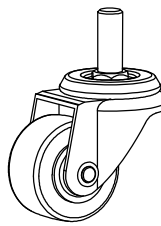
Bolts 1/4" x 20

#D x2



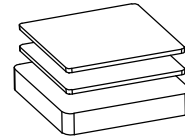
Locking Caster

#E x2



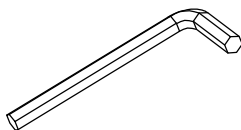
Caster

#F x8



Cover 30 x 30

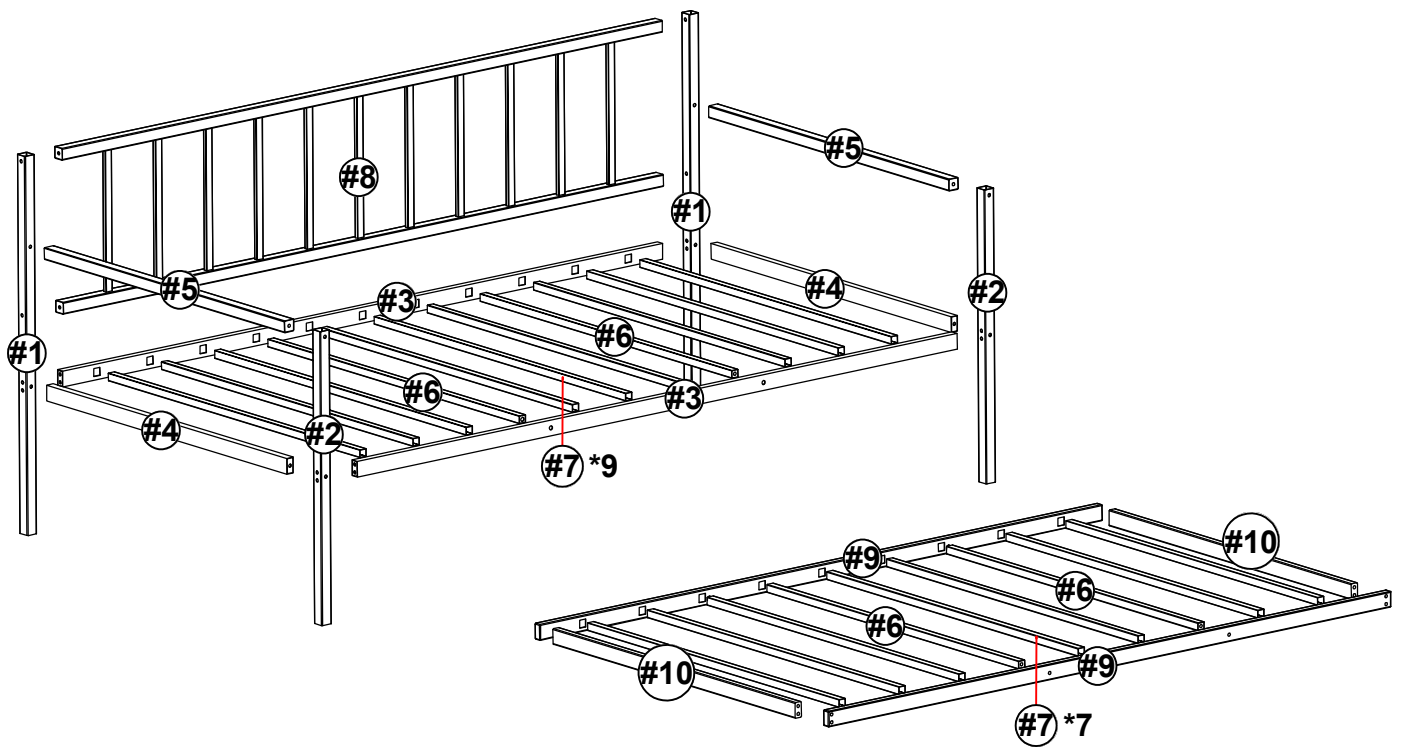
#G x1



Allen wrench M4 x 59

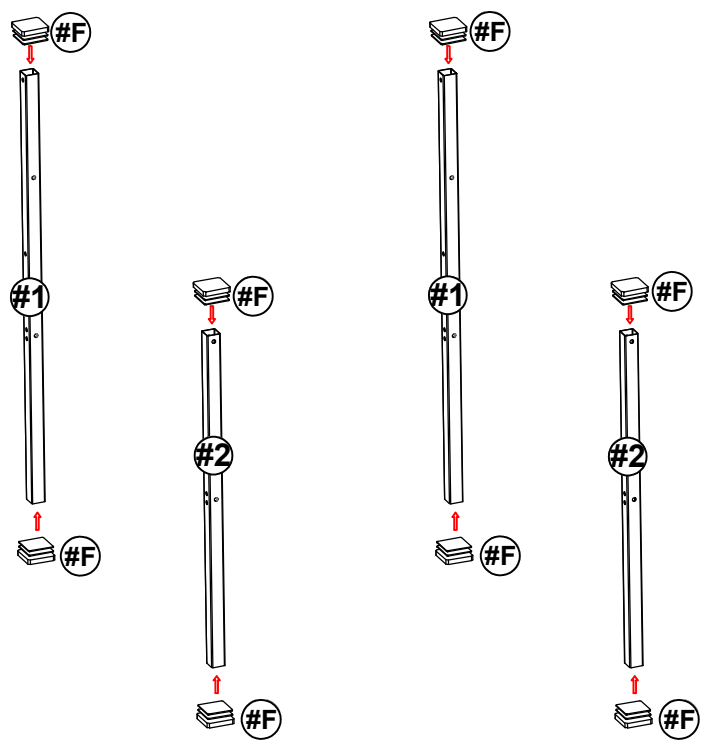
# ASSEMBLY INSTRUCTIONS

## Exploded View



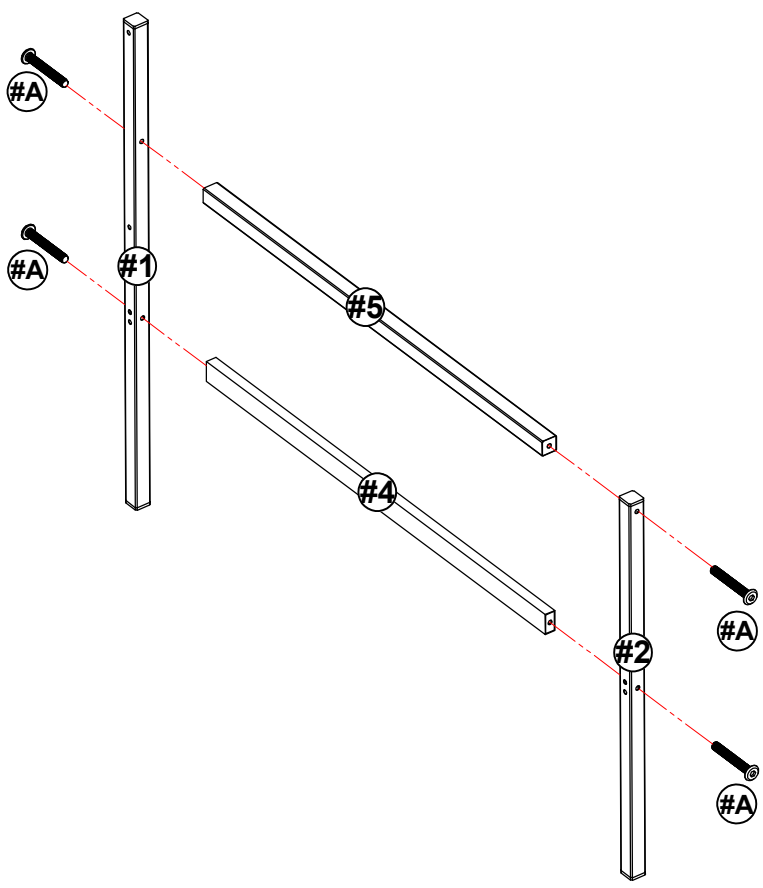
# ASSEMBLY INSTRUCTIONS

STEP 1 :



#F	8PCS
30 x 30	

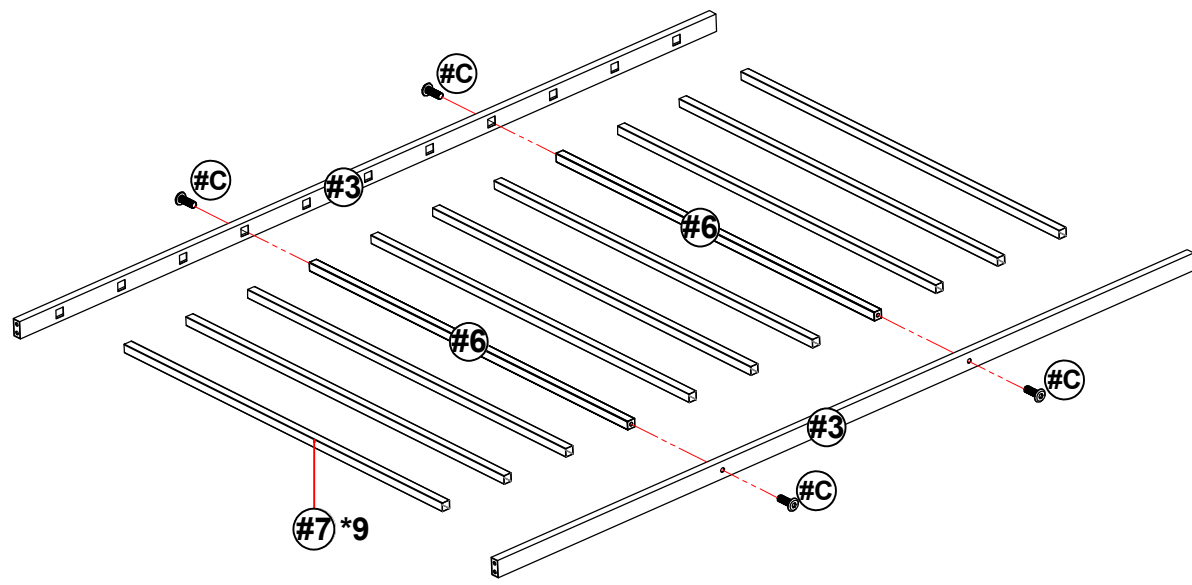
STEP 2 : 2 SET





#A	4PCS
#G	1PC
M4	

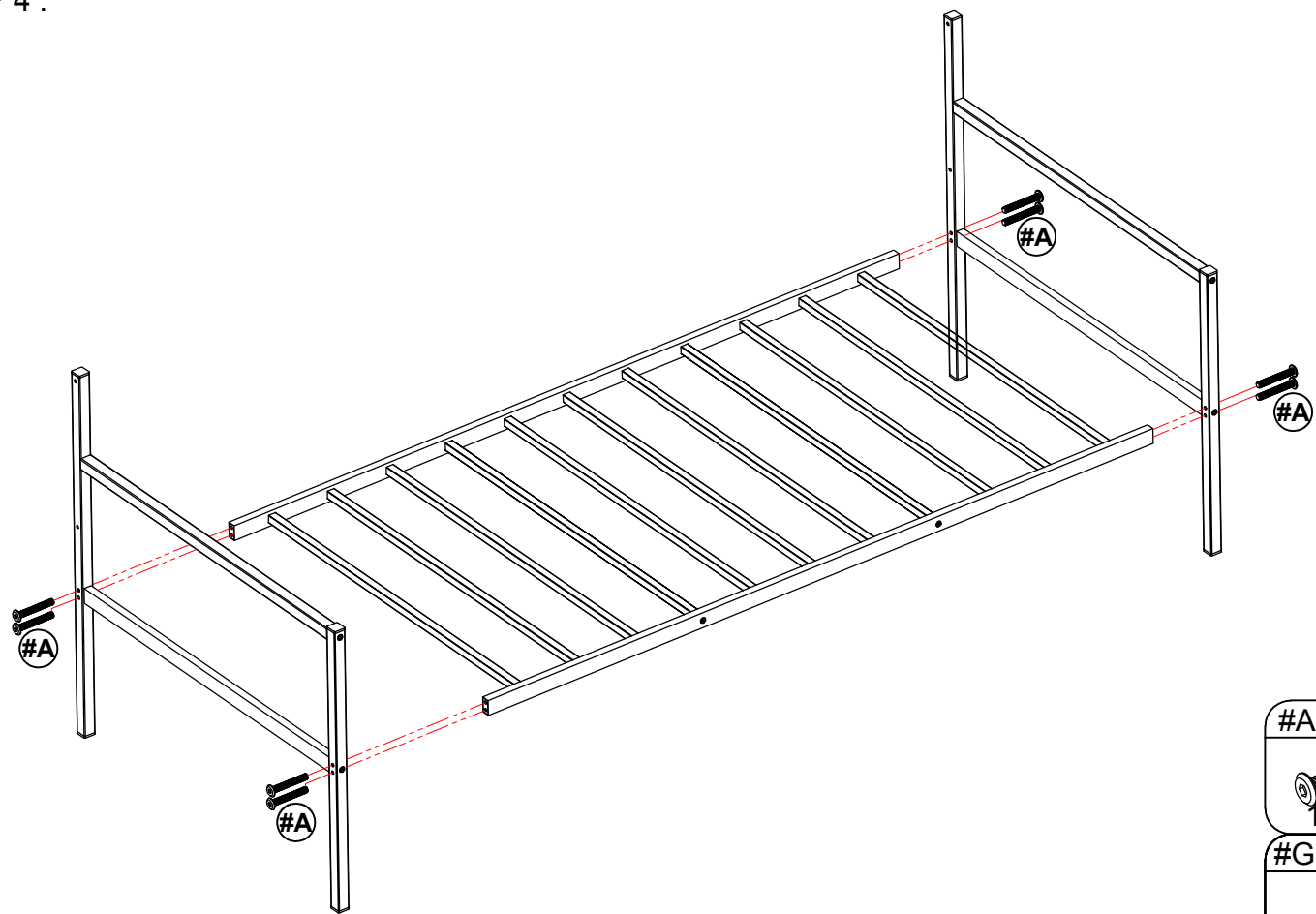
# ASSEMBLY INSTRUCTIONS



STEP 3 :



#C	4PCS
 1/4"x20	
#G	1PC
 M4	

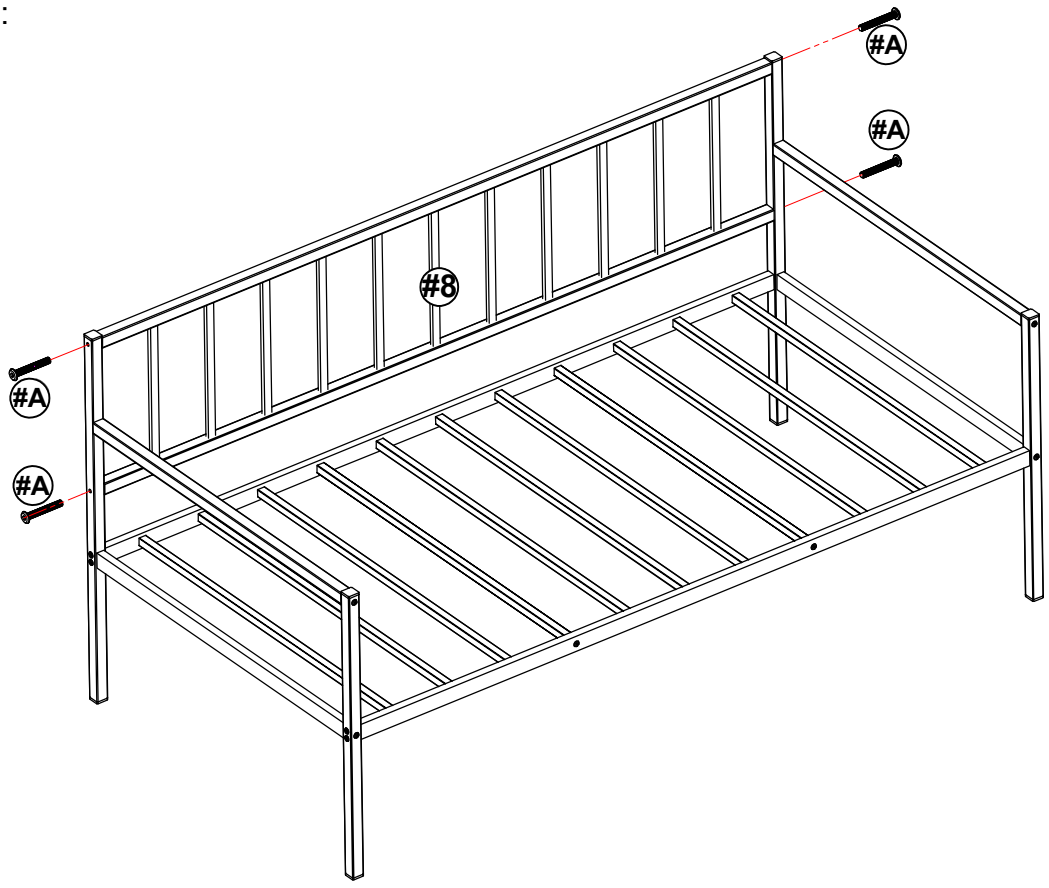
STEP 4 :

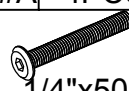



#A	8PCS
 1/4"x50	
#G	1PC
 M4	

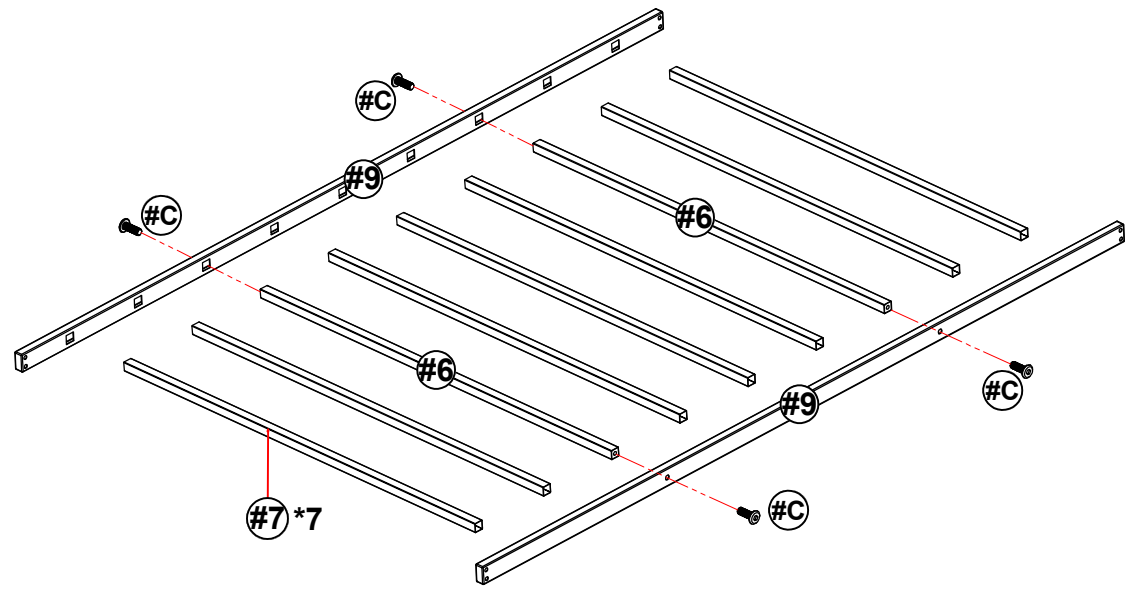
# ASSEMBLY INSTRUCTIONS



STEP 5 :



#A	4PCS
	
1/4"x50	
#G	1PC
	
M4	

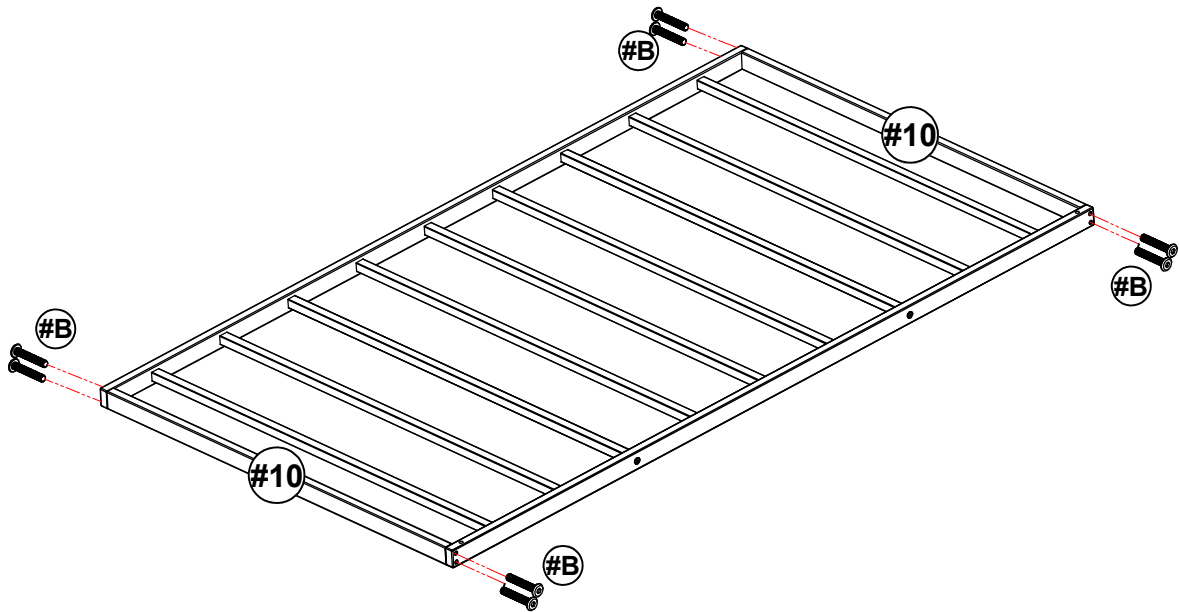
STEP 6 :



#C	4PCS
	
1/4"x20	
#G	1PC
	
M4	

# ASSEMBLY INSTRUCTIONS

STEP 7 :



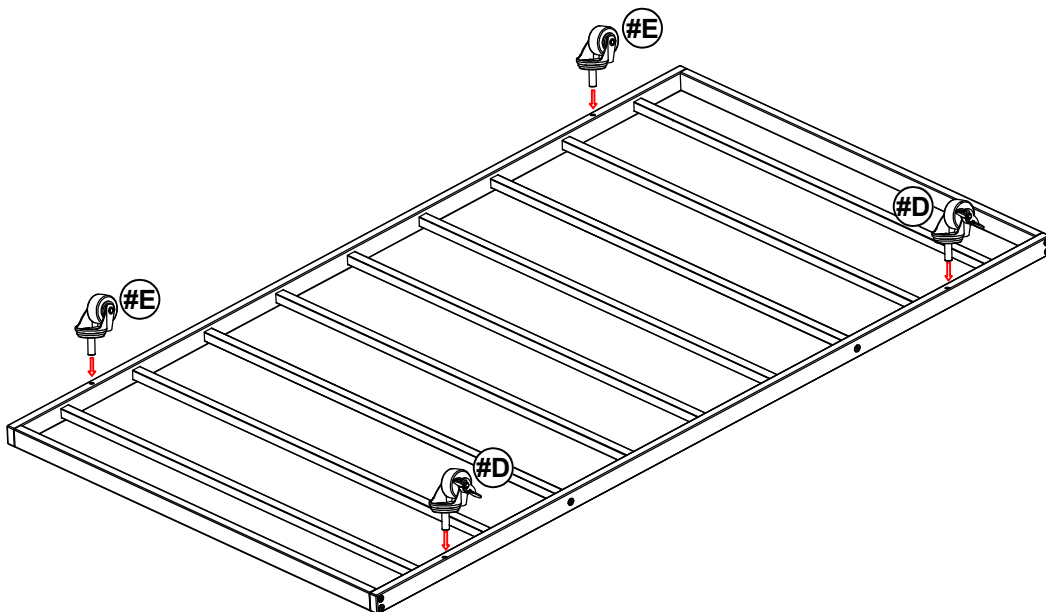
#B 8PCS

1/4"x40

#G 1PC

M4

STEP 8 :



## ASSEMBLY COMPLETED



Please ensure the furniture resets on an even and flat surface. If the product wobbles or feels loose, double-check all bolts and/or screws are properly tightened and secured.

### ✓ Keep this handy!

Please retain this instruction manual and any order-related information for future reference.

### ✓ Lift, don't drag!

To avoid damage to product please always LIFT the product when transporting or adjusting the placement.

#D 2PCS



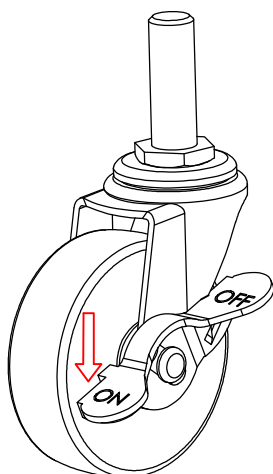
#E 2PCS



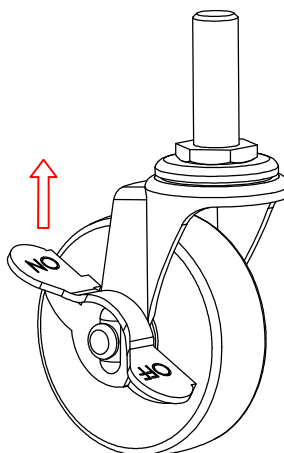
This product is intended for RESIDENTIAL USE ONLY and not for commercial use.

# ASSEMBLY INSTRUCTIONS

How to lock caster!



How to unlock caster!



## Helpful Hints

To use Trundle:

Pull out the trundle completely from underneath daybed. Once positioned, make sure casters are locked by pushing down the lever "ON" as illustrated "How to lock caster!".

To store Trundle:

Unlock the casters by pulling up the lever "ON" as illustrated "How to unlock caster!" and push in the Trundle underneath the Daybed.



## WARNINGS:

Keep casters in lock condition under normal use to prevent unintentional movement which may lead to instability and tipping.