

# ASSEMBLY INSTRUCTIONS

Description: FAUX LEATHER WOOD FRAME (NONTEAK)  
UPHOLSTERED DINING CHAIR






## Important safety instructions:

- Please read carefully all instructions before assembly.
- For your safety and ease, assembly by two or more adults is recommended.
- Keep instructions for future use.

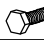




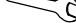
## Pre-assembly:

- Do not discard any content until assembly is complete to avoid accidentally discarding small parts or hardware.
- Take out all parts and hardware from box.

## Parts List

Item	Description		QTY
P1	Leg Frame (Right)		1
P2	Leg Frame (Left)		1
P3	X Stretcher		1
P4	Seat Cushion		1
P5	Back Cushion		1

## Hardware List





Item	Description		QTY
H1	Hex Bolts Ø5/16"x25mm		4
H2	Bolts Ø5/16"x40mm		8
H3	Lock Washers Ø5/16"		12
H4	Flat Washers Ø5/16"x19mm		12
H5	Allen Key 4mm		1
H6	Wrench 12mm		1

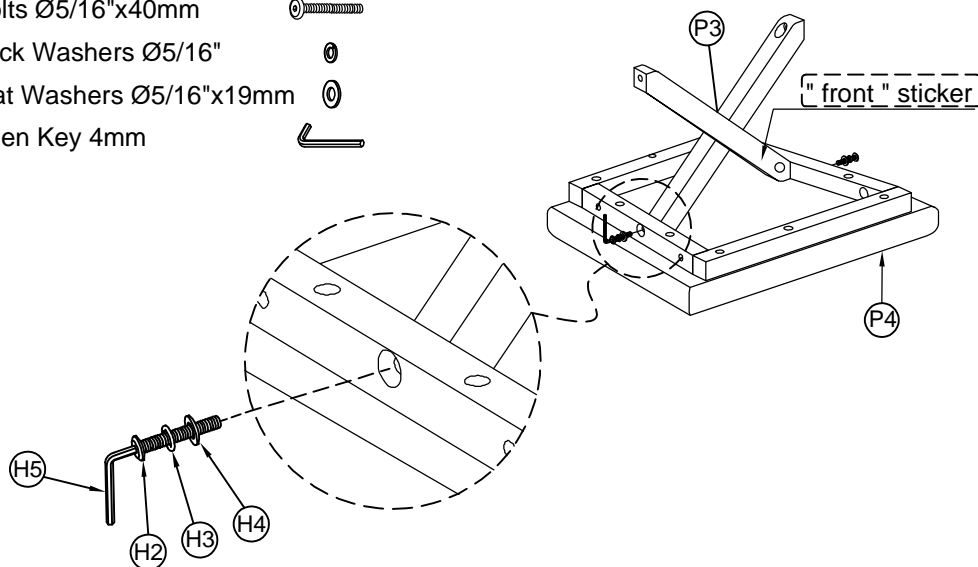
## DISCLAIMER:

WHEN PROPERLY ASSEMBLED, THIS ITEM IS SAFE FOR INTENDED USE. SELLER IS NOT LIABLE FOR ANY DAMAGES RESULTING FROM ITEM BEING IMPROPERLY ASSEMBLED AFTER PURCHASE.

## Assembly Procedures:

Step1: Assemble the dining chair on a flat, soft surface such as a carpet or cloth to prevent scratching the finish. Attach X Stretcher (P3) to Seat Cushion (P4) as shown below.

- (H2)x2 Bolts Ø5/16"x40mm 
- (H3)x2 Lock Washers Ø5/16" 
- (H4)x2 Flat Washers Ø5/16"x19mm 
- (H5)x1 Allen Key 4mm 



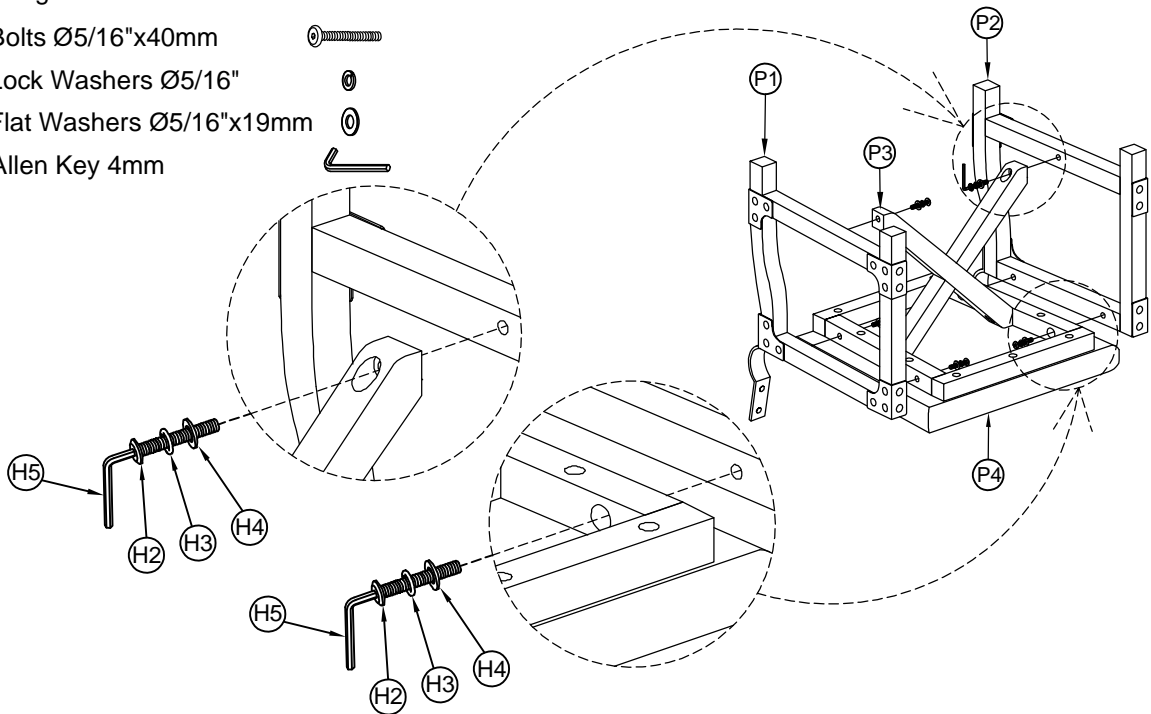
Step 2: Attach Leg Frame Right (P1), Leg Frame Left (P2) to Seat Cushion (P4) and X Stretcher (P3) as shown below. Don't Tighten all bolts.

(H2)x6 Bolts Ø5/16"x40mm

(H3)x6 Lock Washers Ø5/16"

(H4)x6 Flat Washers Ø5/16"x19mm

(H5)x1 Allen Key 4mm



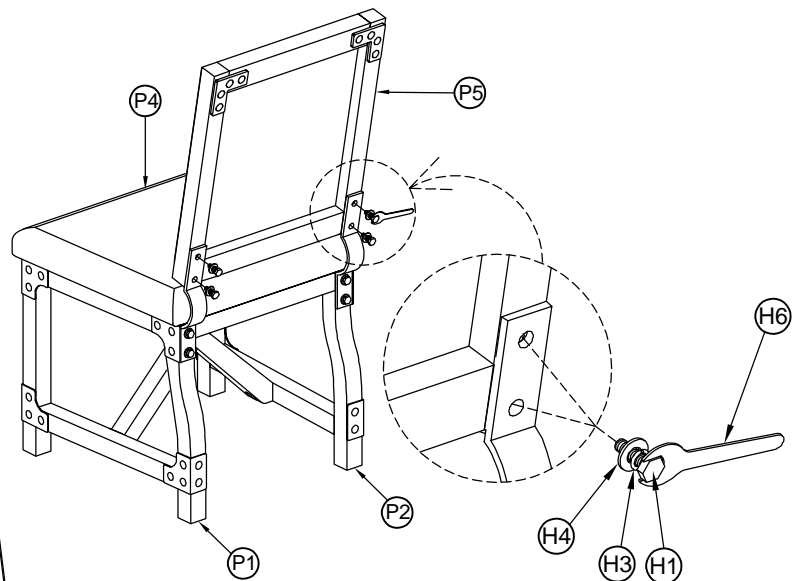
Step 3: Attach the Back Cushion (P5) to Leg Frame Right (P1) and Leg Frame Left (P2) as shown below. Then tighten all bolts.

(H1)x4 Hex Bolts Ø5/16"x25mm

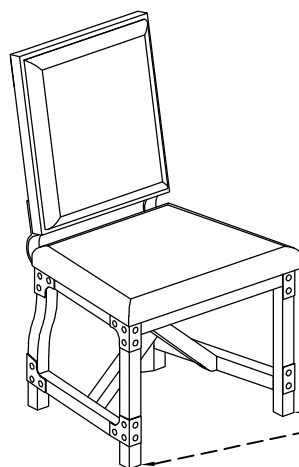
(H3)x4 Lock Washers Ø5/16"

(H4)x4 Flat Washers Ø5/16"x19mm

(H6)x1 Wrench



Step 4: Turn the assembled Chair to an upright position. Assembly is completed.



Note: Front Legs Can be Adjusted With Adjustable Levelers

ADDITIONAL NOTE ABOUT SAFETY:

BOLTS MAY LOOSEN DURING NORMAL EVERYDAY USE.

THEY SHOULD BE INSPECTED AT LEAST EVERY 3 MONTHS AND RE-TIGHTENED AS NEEDED TO PREVENT DAMAGE OR INJURY, AND ENSURE STABILITY.

Thank you for your purchase