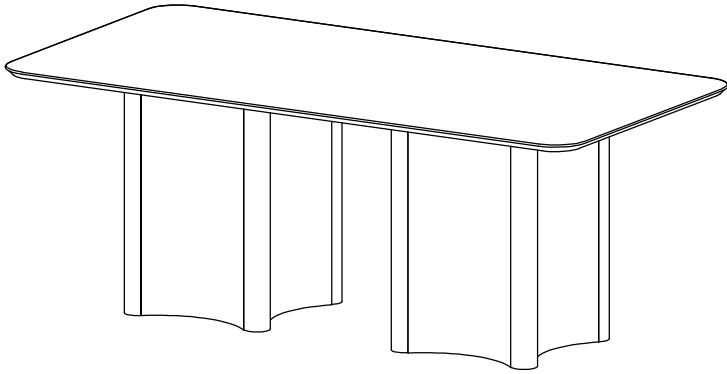


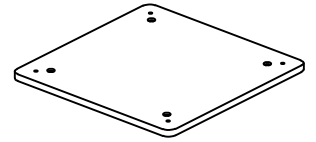
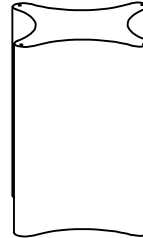
ASSEMBLY INSTRUCTIONS



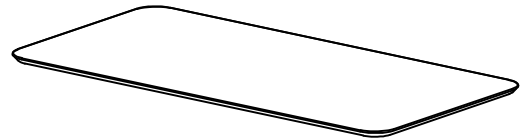
+Parts Included

① Bottom base (2pcs)

② Connective panel (2 pcs)



③ Top panel (1 pc)



**+Do Not Use
Power Tools**



**+Suggested
Adults**



NOTE:

- 1 Read instructions cover to cover.
- 2 Save all packaging until assembly is completed.

1 IMPORTANT SAFETY INFORMATION

- Do not** assemble the product if the parts arrived damaged.
- Do not** assemble if Hardware parts are missing.

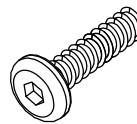
2 IMPORTANT ASSEMBLY INFORMATION

Assembly Step If loosening persists, please make sure to tighten all the bolts periodically, or use a thread locker adhesive.

+Parts Included

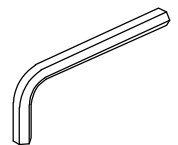
A. Bolt
Ø8x35mm (16 pcs)

B. Spring Washer
Ø8xØ13mm (16 pcs)



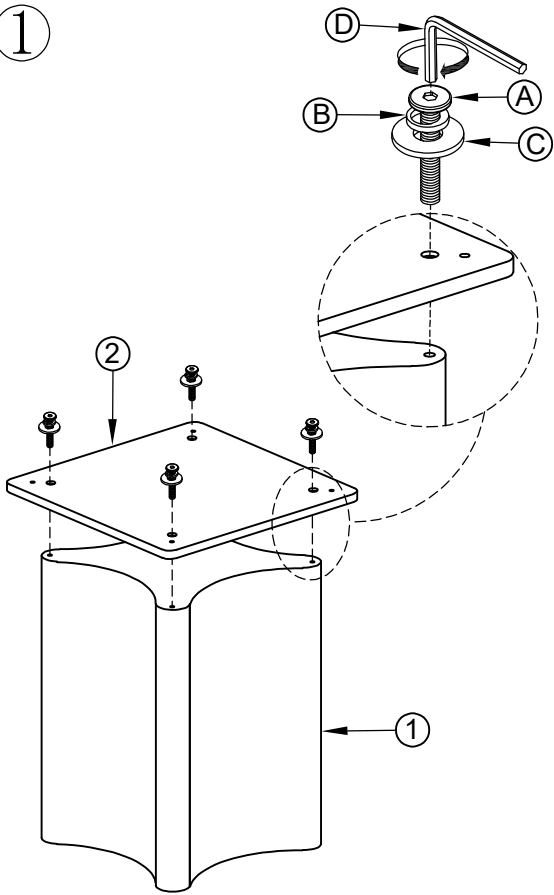
C. Flat Washer
Ø8xØ19mm (16 pcs)

D. Allen Key (1 pc)

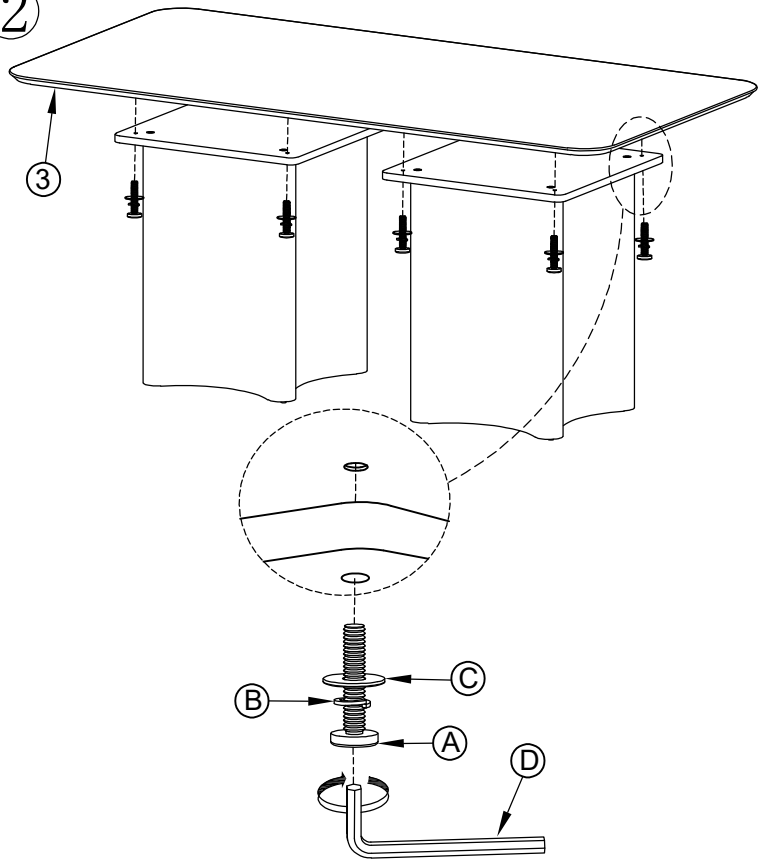


ASSEMBLY INSTRUCTIONS

1



2



3

