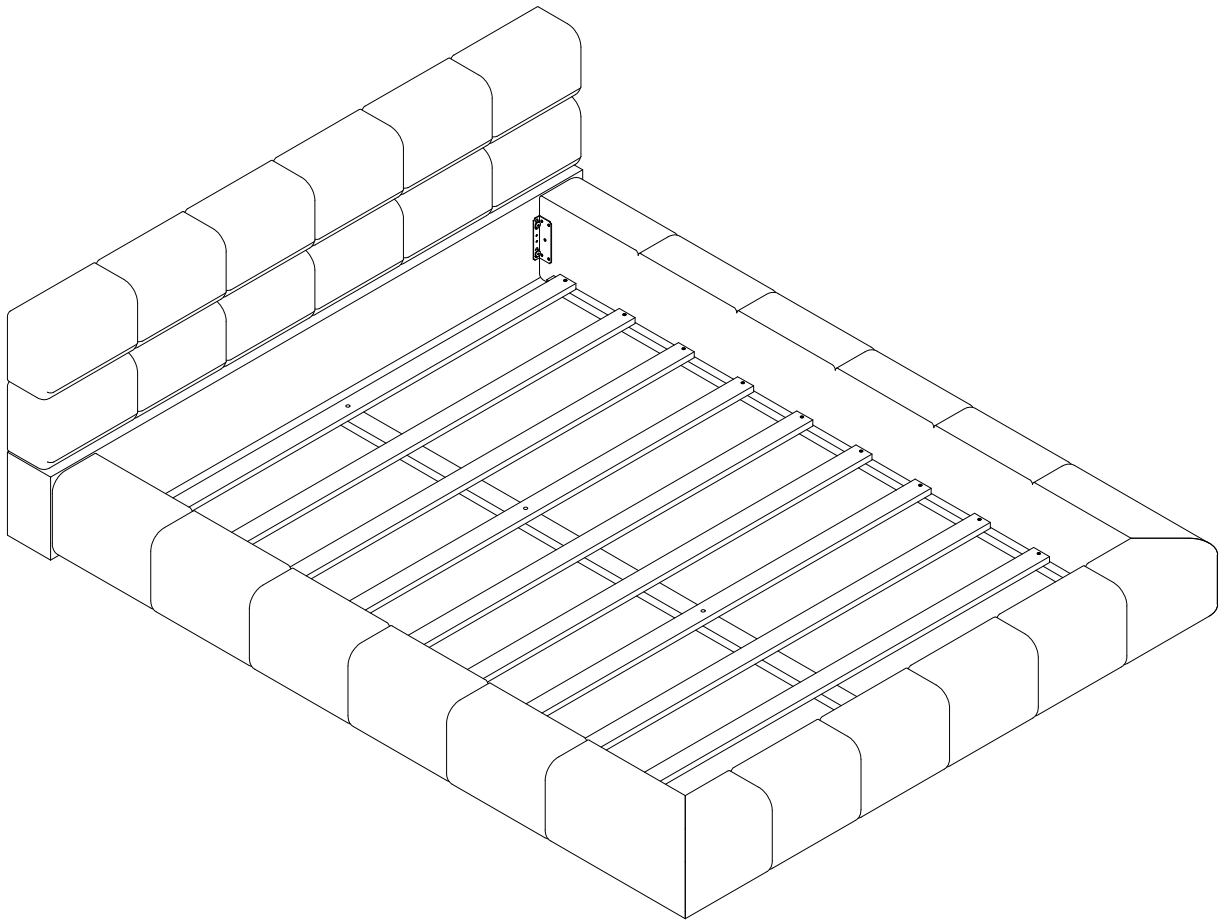
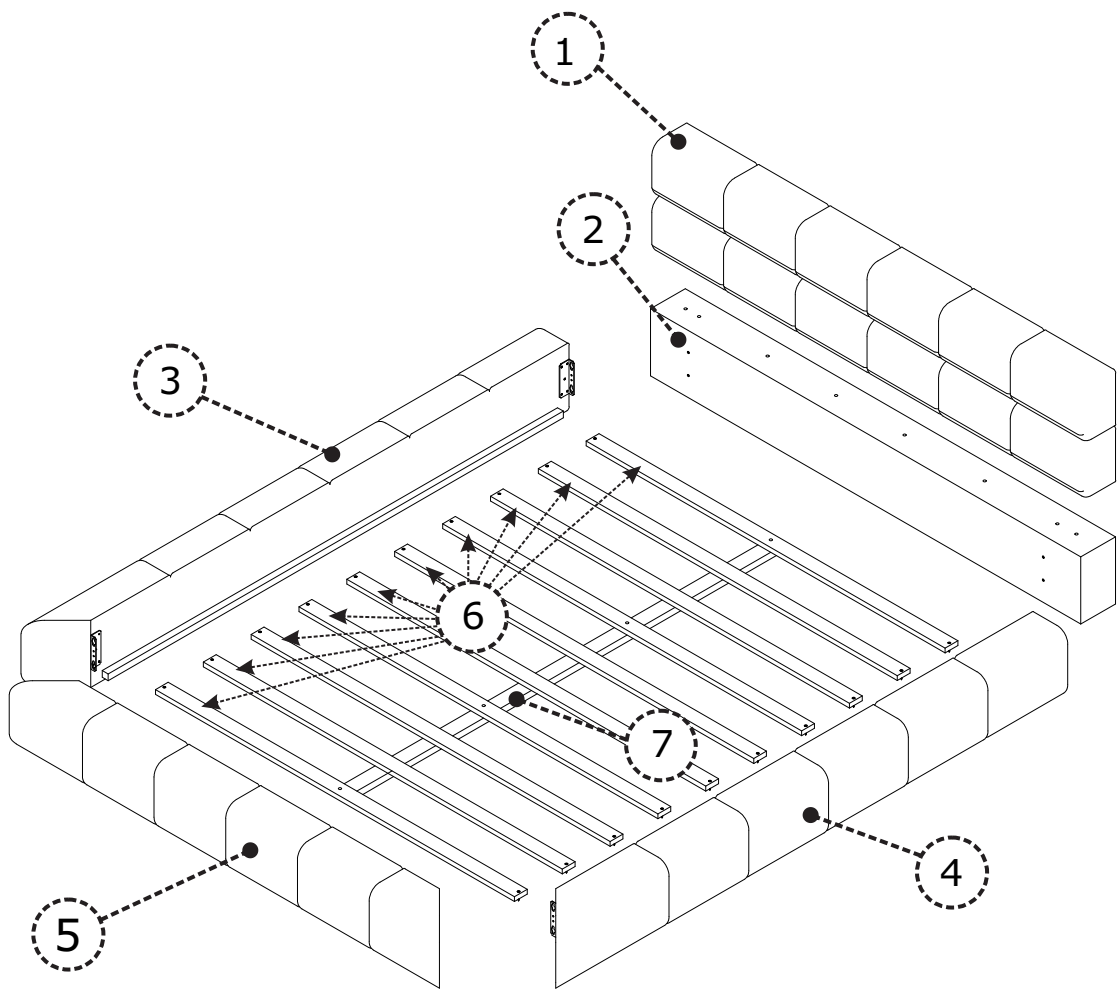


WF309920
WF309921



ASSEMBLY INSTRUCTIONS



PARTS

Check that you've received
all parts listed below.

BOX 1/2 WF309920

1



(1 pc)

2



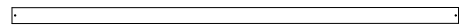
(1 pc)

5



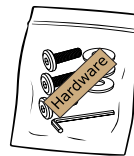
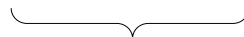
(1 pc)

6



(10 pcs)

Hardware



BOX 2/2 WF309921

3



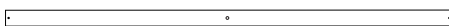
(1 pc)

4



(1 pc)

7



(1 pc)

HARDWARE

Check that you've received
all hardware listed below.

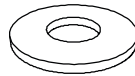
A



Ø 5/16" x 38 mm

10 pcs

B



Ø 19 x 1.5 mm

16 pcs

C



Ø 13 x 1 mm

16 pcs

D



80 x 30 x 4 mm

1 pc

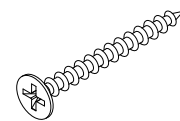
E



Ø 5/16" x 45 mm

6 pcs

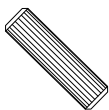
F



Ø 4 x 30 mm

20 pcs

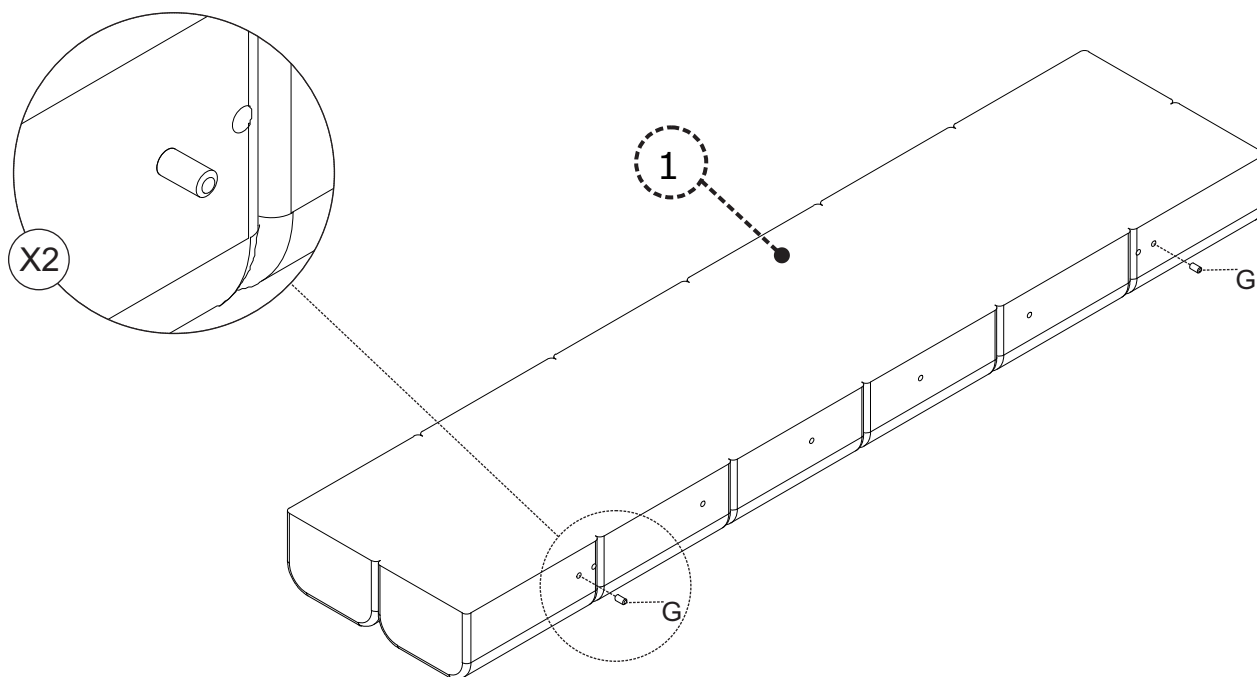
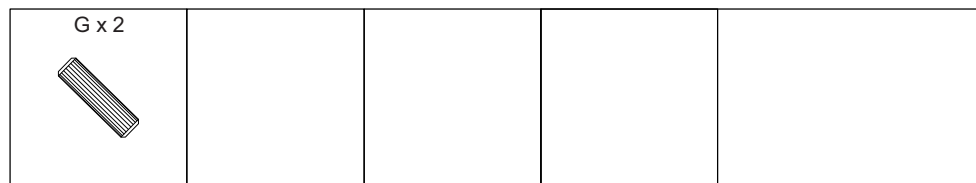
G







Ø 10 x 25 mm

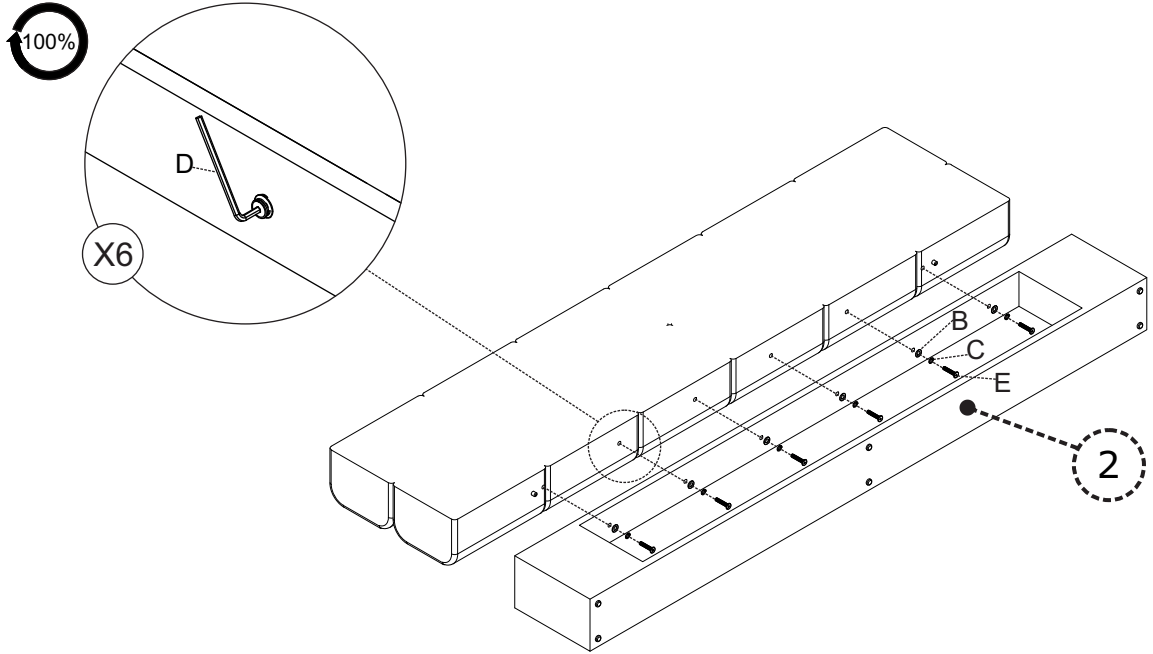
2 pcs

STEP 1







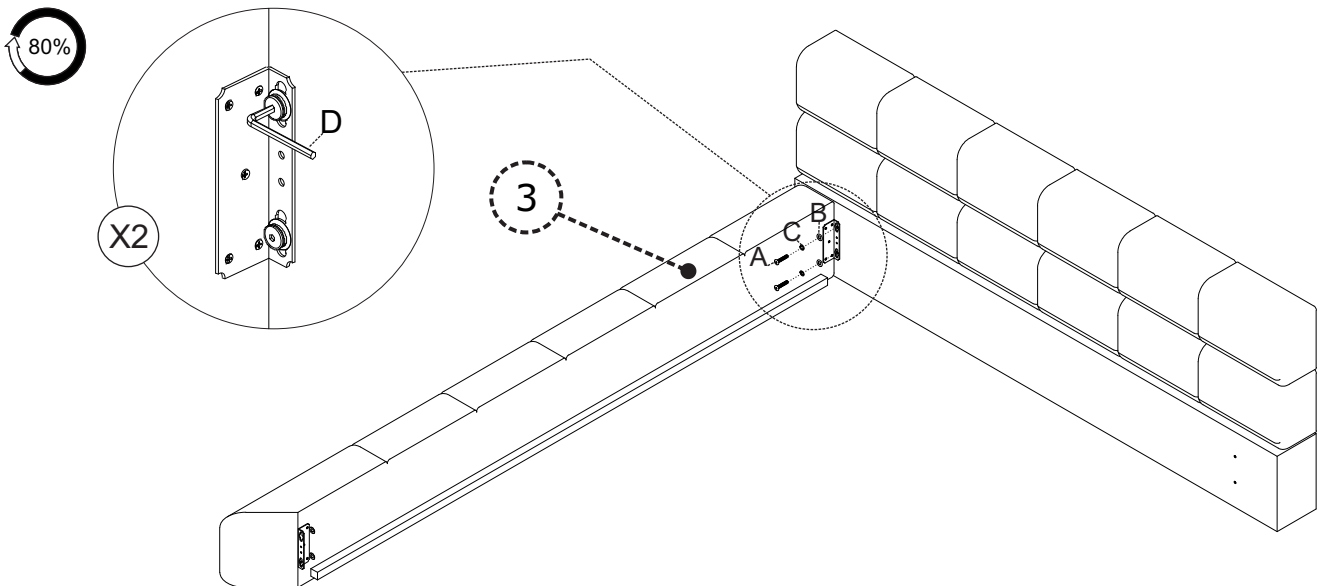
STEP 2

E x 6 	B x 6 	C x 6 	D x 1 	
--	--	--	--	--







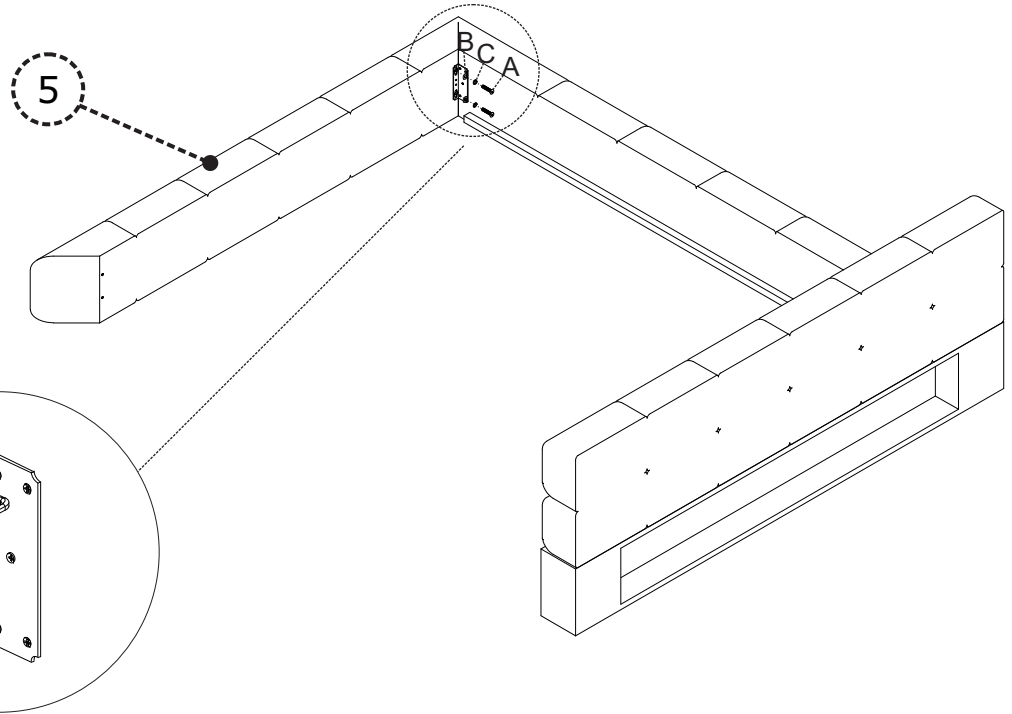
STEP 3

A x 2 	B x 2 	C x 2 	D x 1 	
--	--	--	--	--







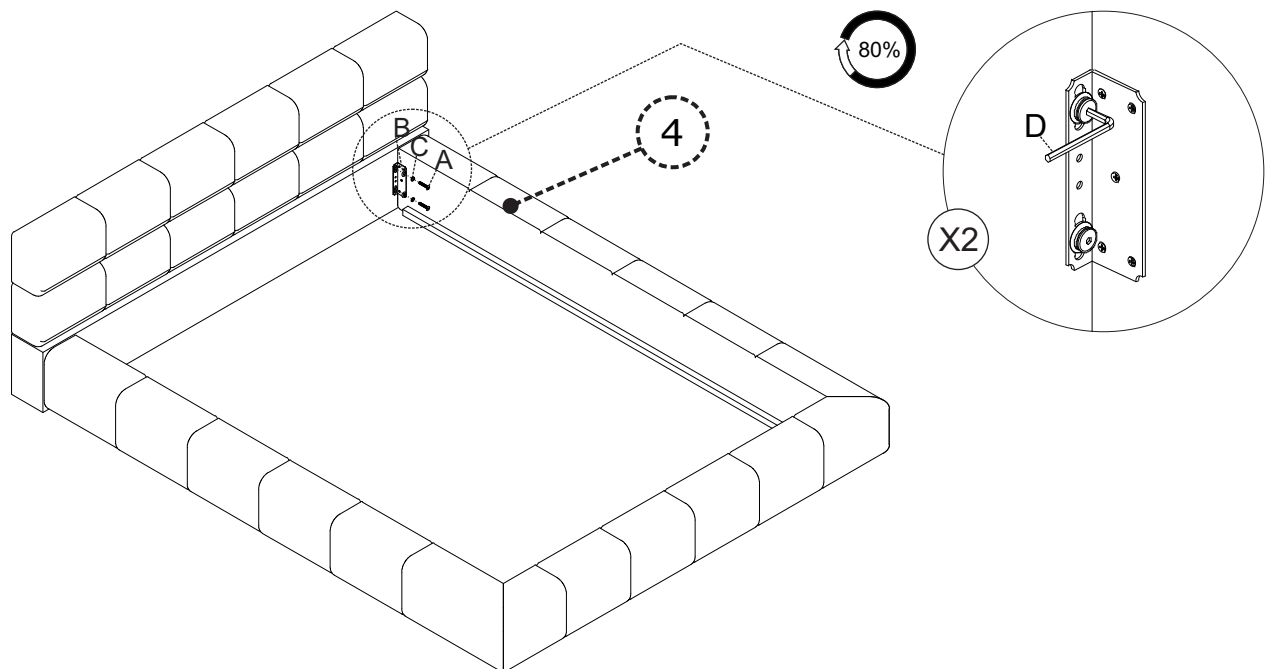
STEP 4

A x 2 	B x 2 	C x 2 	D x 1 	
--	--	--	--	--







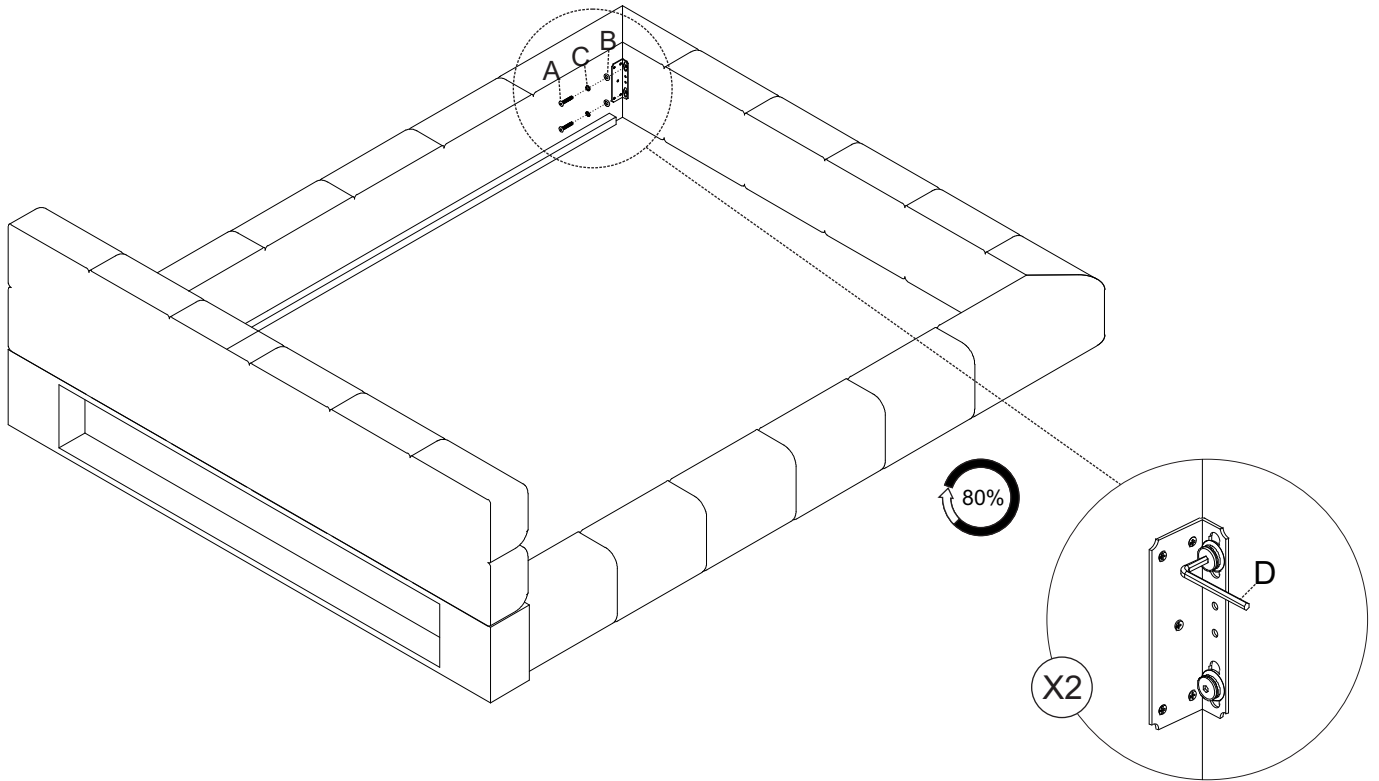
STEP 5

A x 2 	B x 2 	C x 2 	D x 1 	
--	--	--	--	--




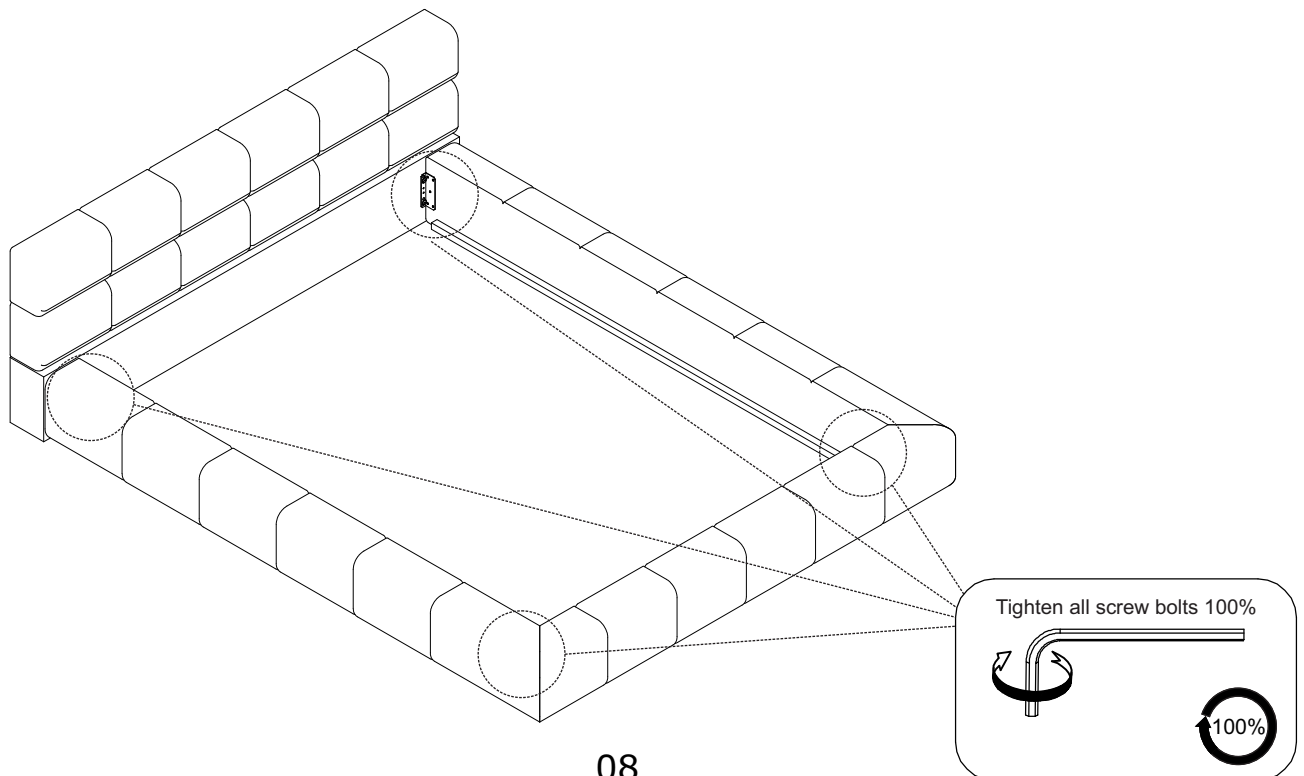
STEP 6

A x 2 	B x 2 	C x 2 	D x 1 	
--	--	--	--	--

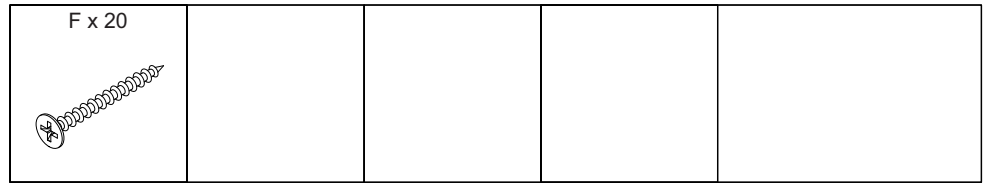


STEP 7

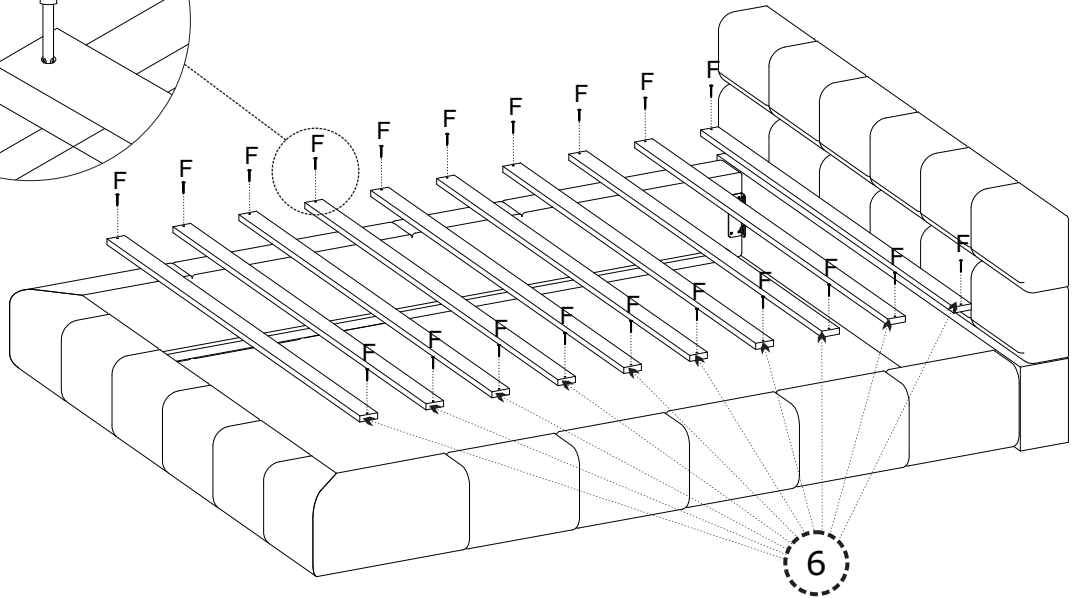
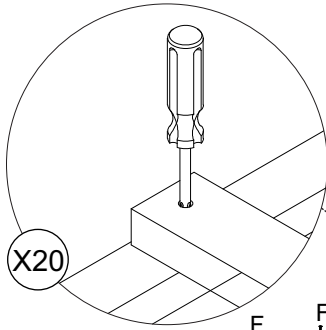
D x 1 				
--	--	--	--	--



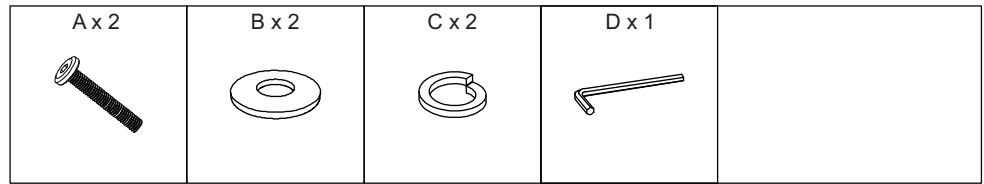
STEP 8



100%



STEP 9



100%

