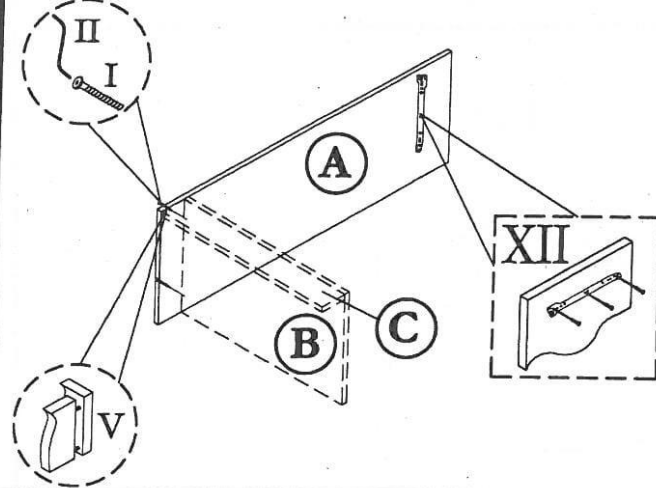


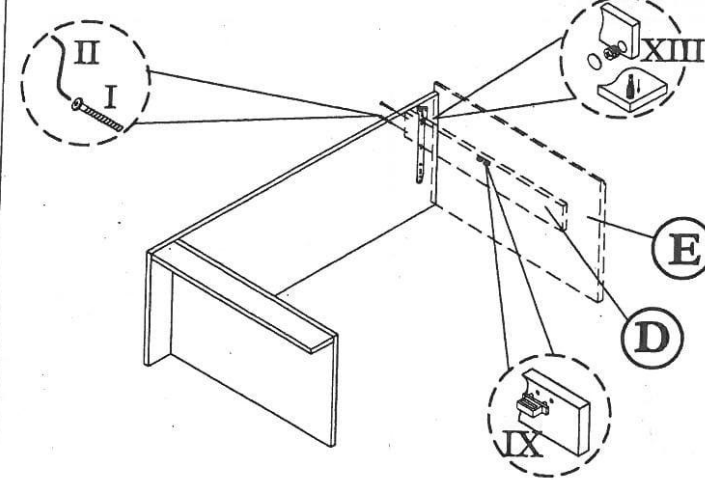
# ASSEMBLY INSTRUCTION SHOE RACK

Before you begin, please follow assembly instruction carefully.  
Then follow them step by step.

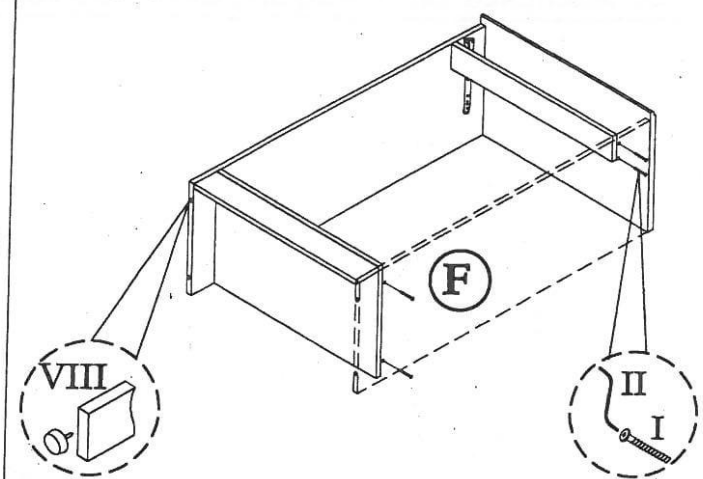
STEP 1



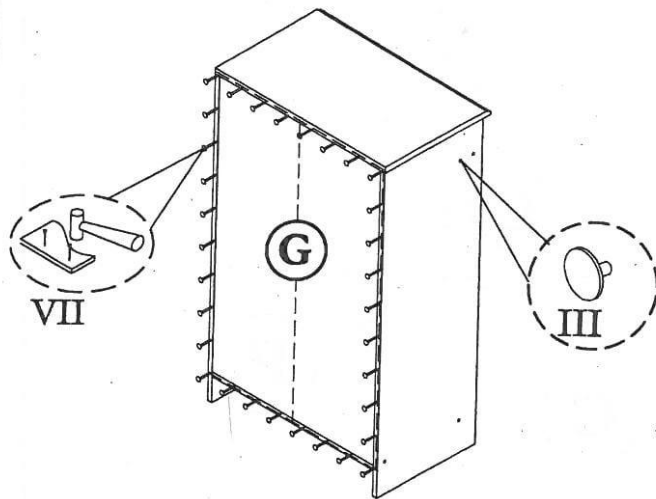
STEP 2



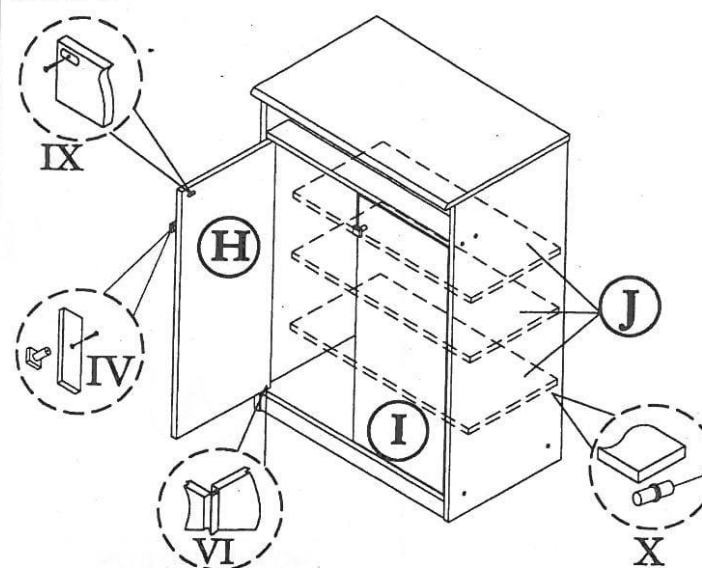
STEP 3



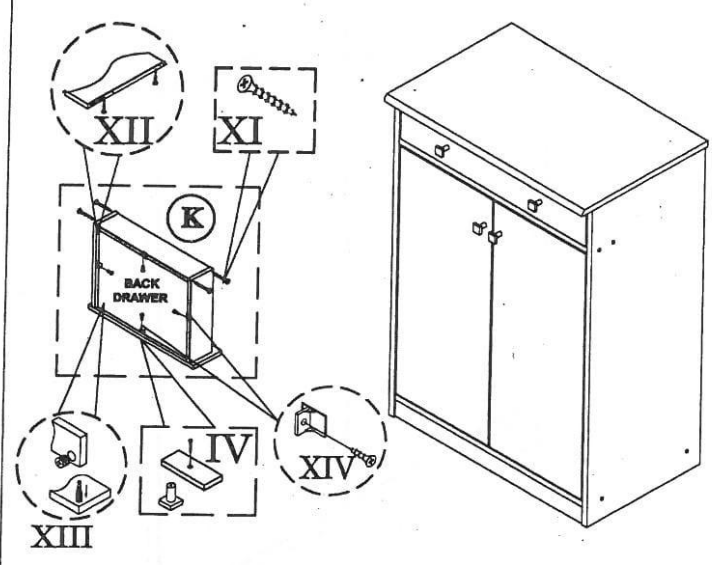
STEP 4



STEP 5



STEP 6



## HARDWARE LIST

NO	DESCRIPTION	QTY
I	JCBCW SCREW M6 x 45	8pcs
II	M4 ALLEN KEY	1pc
III	CAP SMALL	8pcs
IV	HANDLE & SCREW M3.5 x 30	4sets
V	M8 x 30 PLASTIC DOWEL	6pcs

VI	SPRING DOOR SUPPORT	4pcs
VII	NAIL	40pcs
VIII	PVC NAIL WITH PIN	4pcs
IX	MAGNET WITH PLATE & SCREW	2sets
X	PVC SHELF SUPPORT	12pcs
XI	M8 x 32 CHIPBOARD SCREW	4pcs
XII	DRAWER SLIDER & SCREW M3.5 x 12	1sets

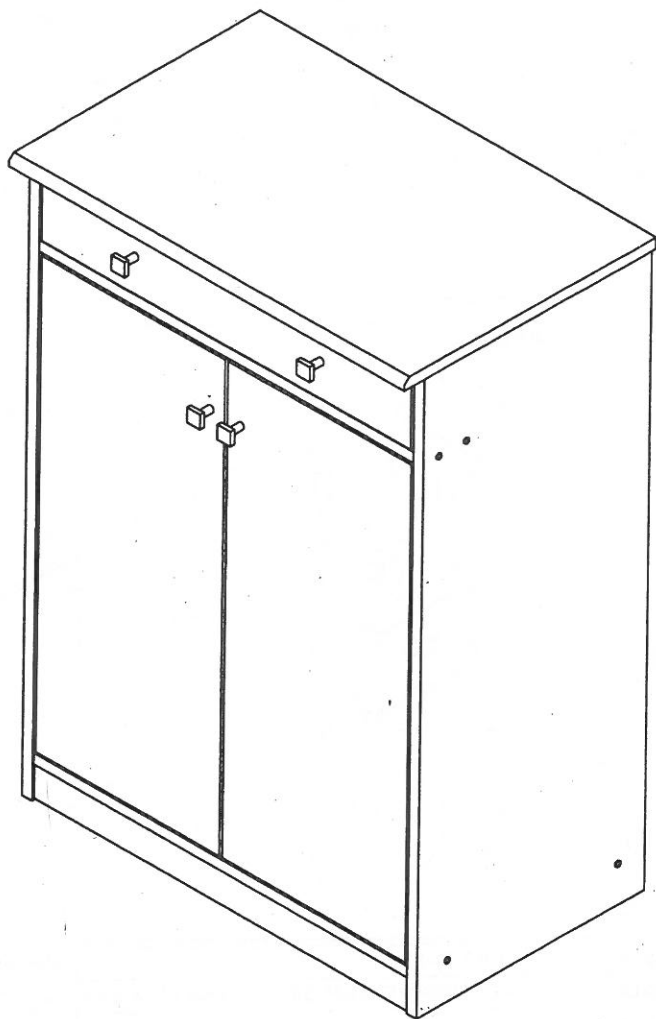
XIII	Q-FIT	6sets
XIV	DRAWER SUPPORT & SCREW M3.5 x 12	4sets

**CAUTION:**

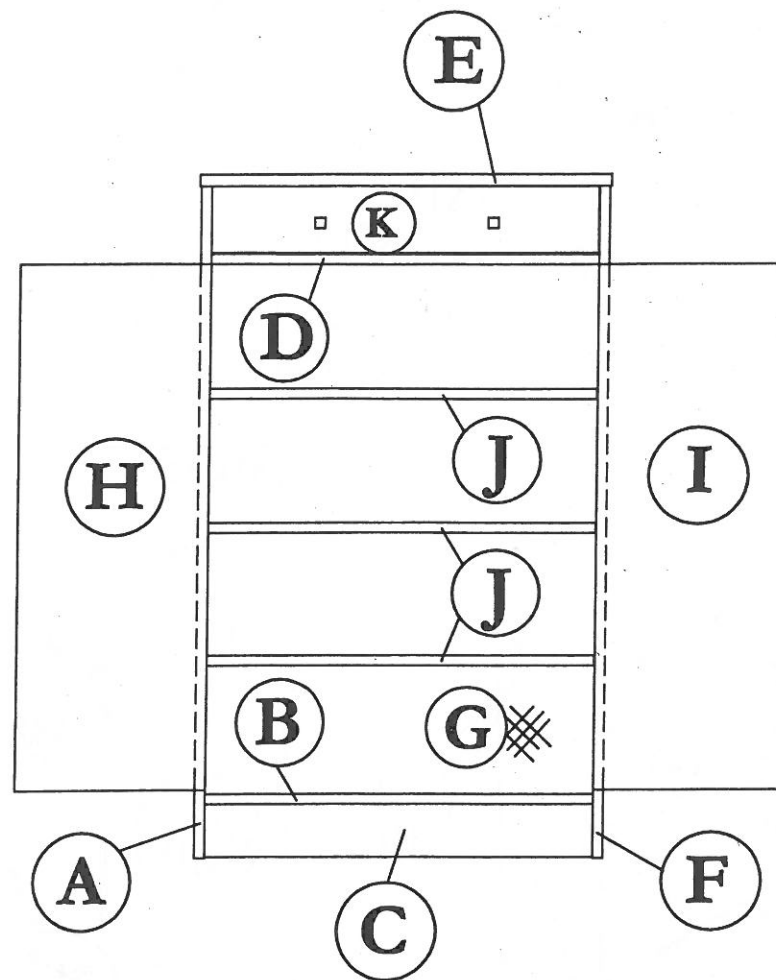
To clean use soft, dry cloth. Do not use detergent or chemicals  
Avoid contact with water and direct sunlight.  
To be assembled on a soft, dry, clean and smooth surface.

**ORDERING REPAIR PARTS**

In order to obtain smooth and rapid service when ordering repair parts,  
please give full attention to the following of PART NUMBER.



**COMPLETE SET**



NO	DESCRIPTION	QTY
A	LEFT SIDE	01
B	LOWER SHELF	01
C	LEG	01
D	HORIZONTAL SHELF	01
E	TOP	01
F	RIGHT SIDE	01

NO	DESCRIPTION	QTY
G	BACK	02
H	LEFT SIDE DOOR	01
I	RIGHT SIDE DOOR	01
J	MOVABLE SHELF	03
K	DRAWER FACE	01