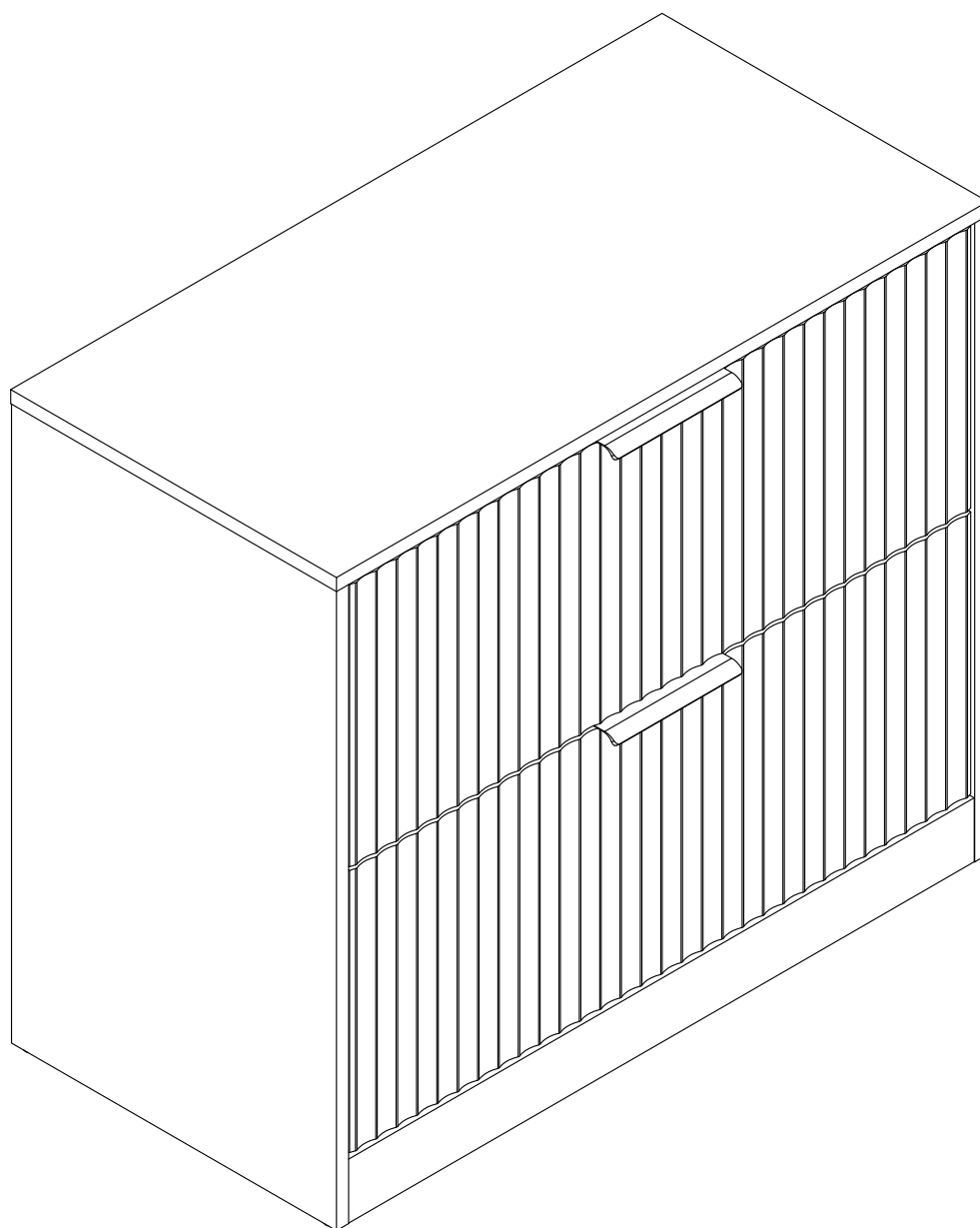
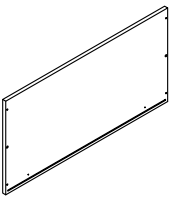

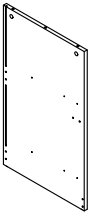
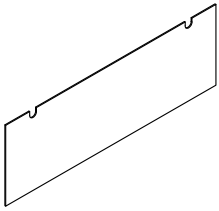
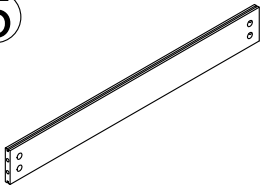
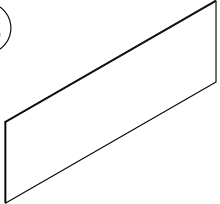
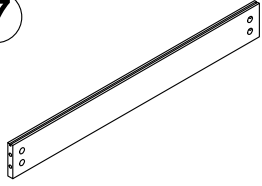
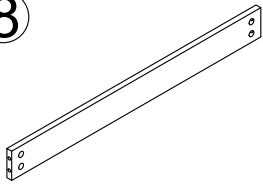
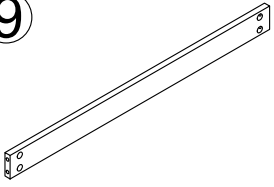
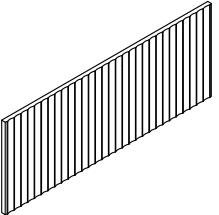
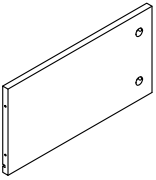
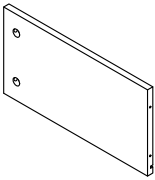
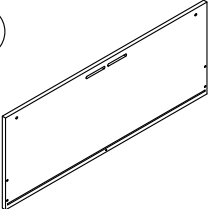
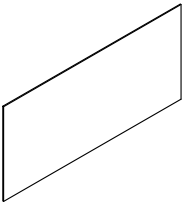
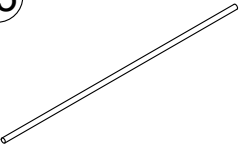

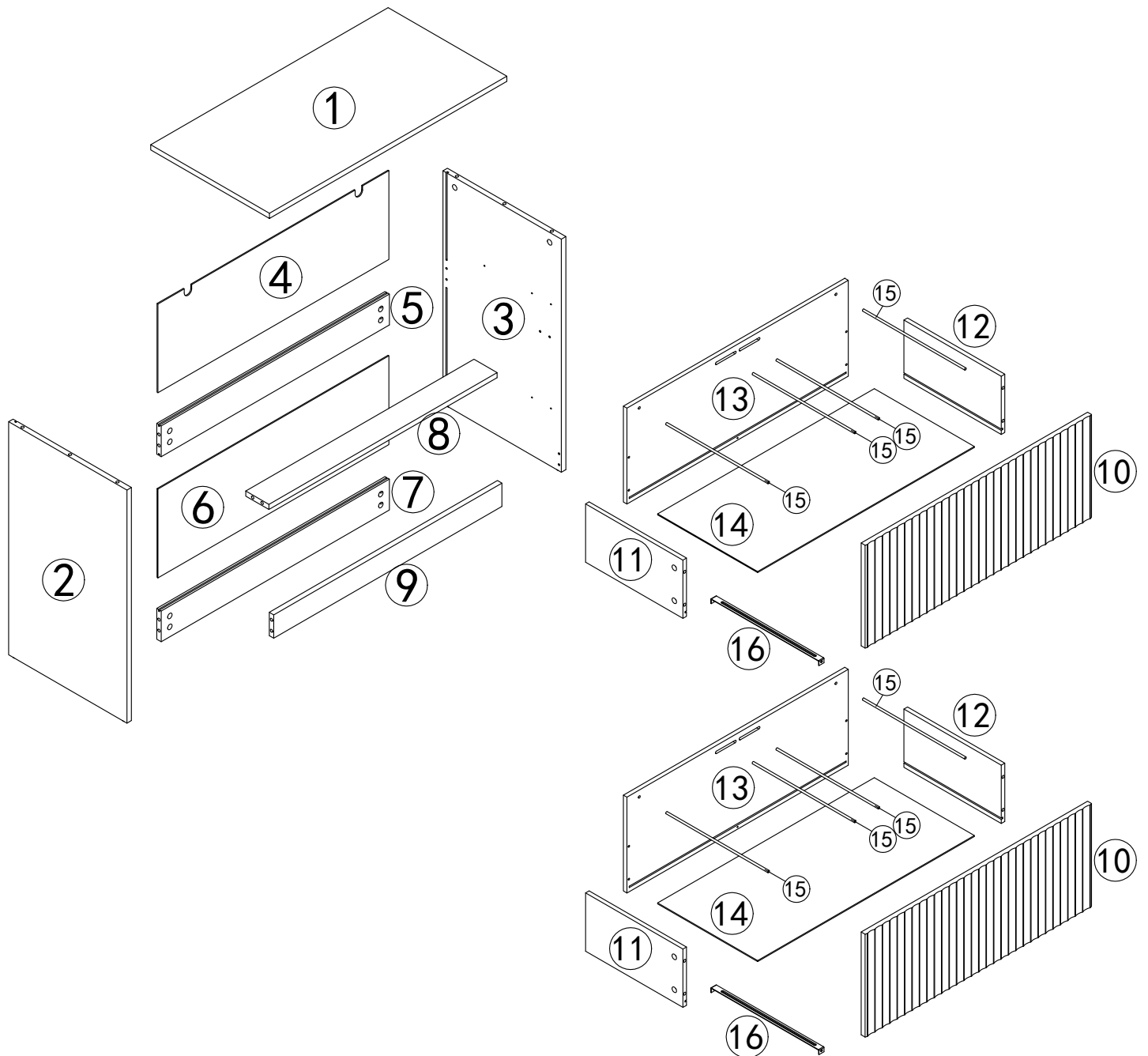
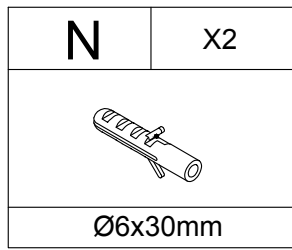
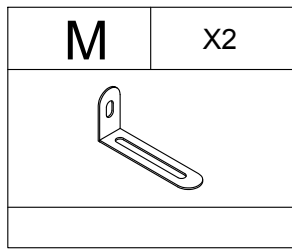
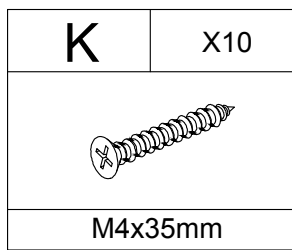
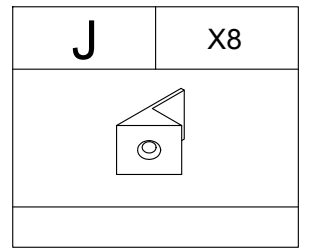
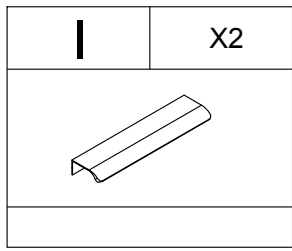
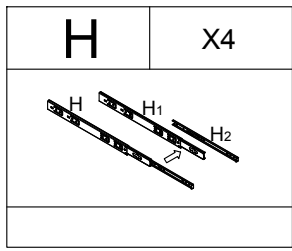
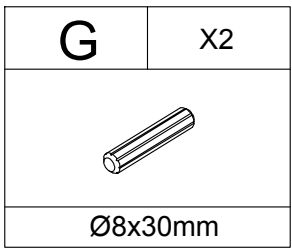
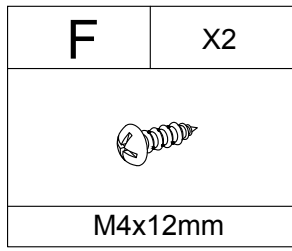
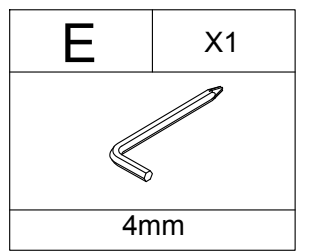
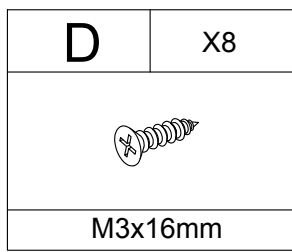
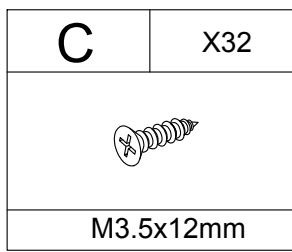
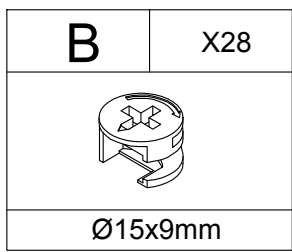
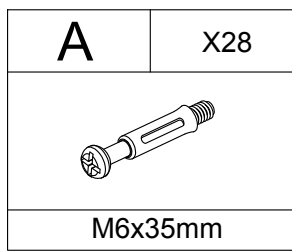


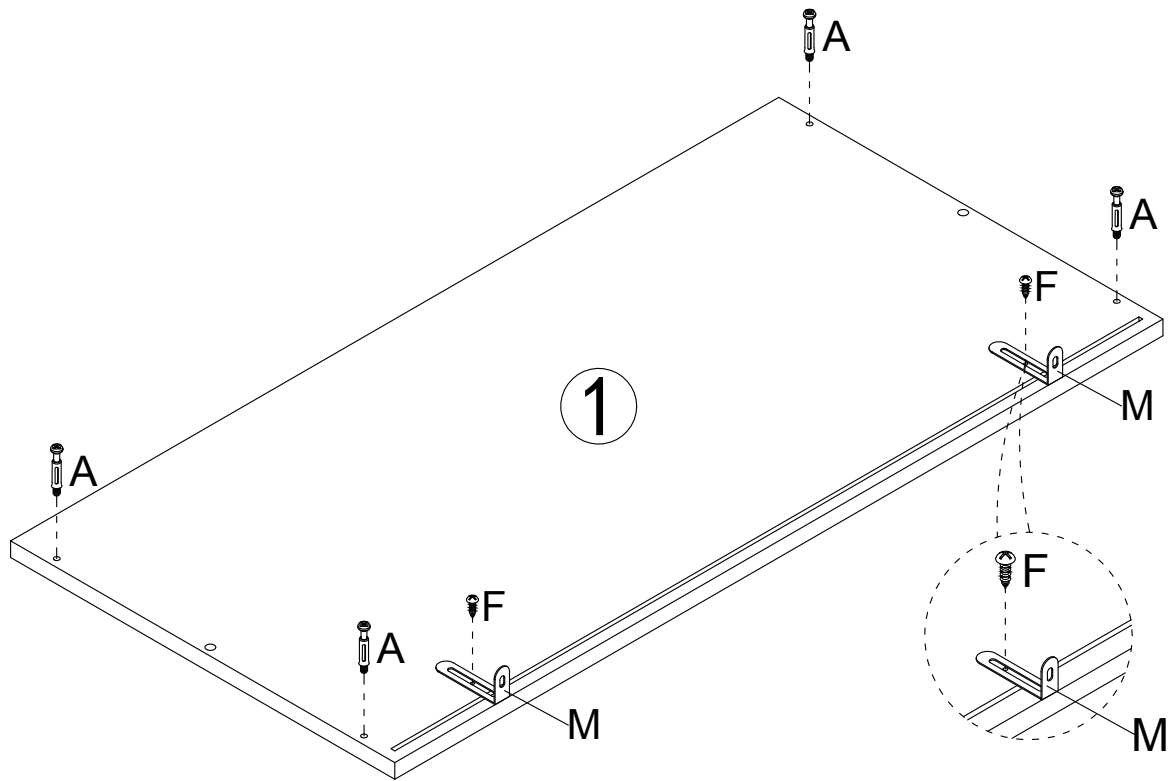
Assembly Instruction






① 	② 	③ 	④ 
1PC	1PC	1PC	1PC
⑤ 	⑥ 	⑦ 	⑧ 
1PC	1PC	1PC	1PC
⑨ 	⑩ 	⑪ 	⑫ 
1PC	2PCS	2PCS	2PCS
⑬ 	⑭ 	⑮ 	⑯ 
2PCS	2PCS	8PCS	2PCS

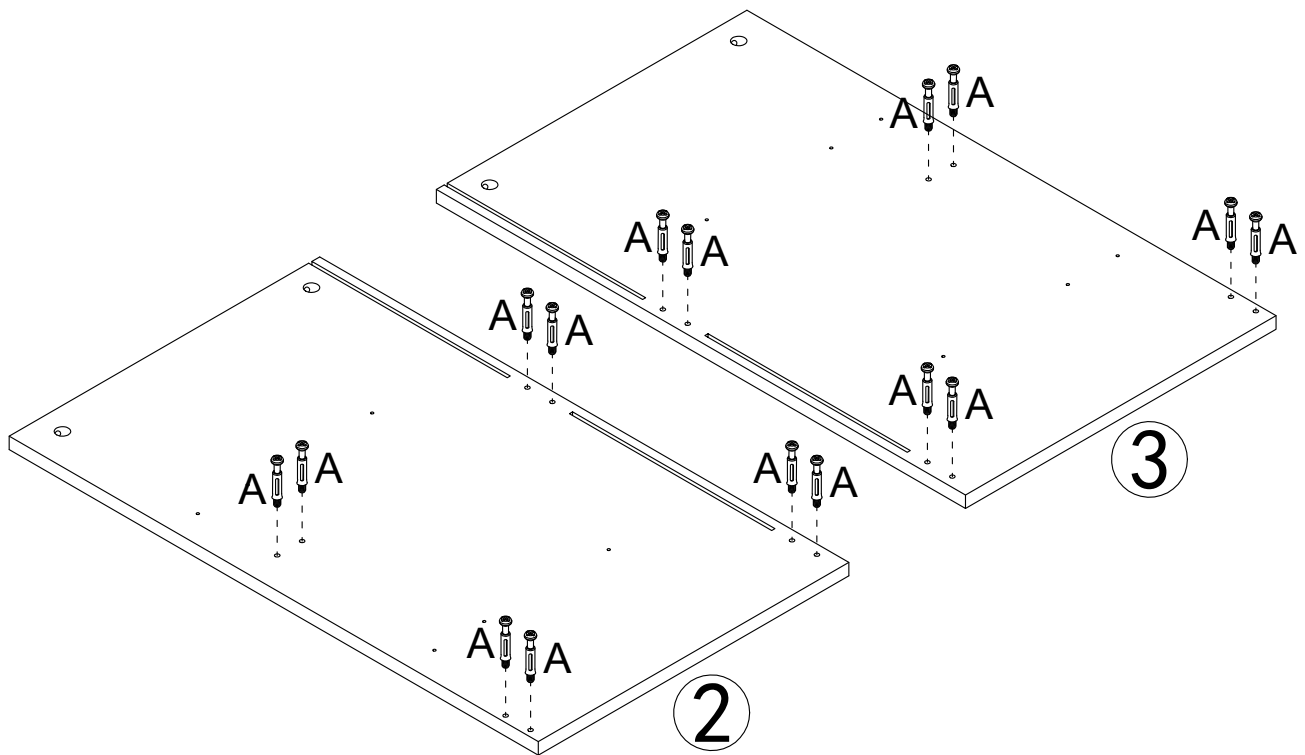



1



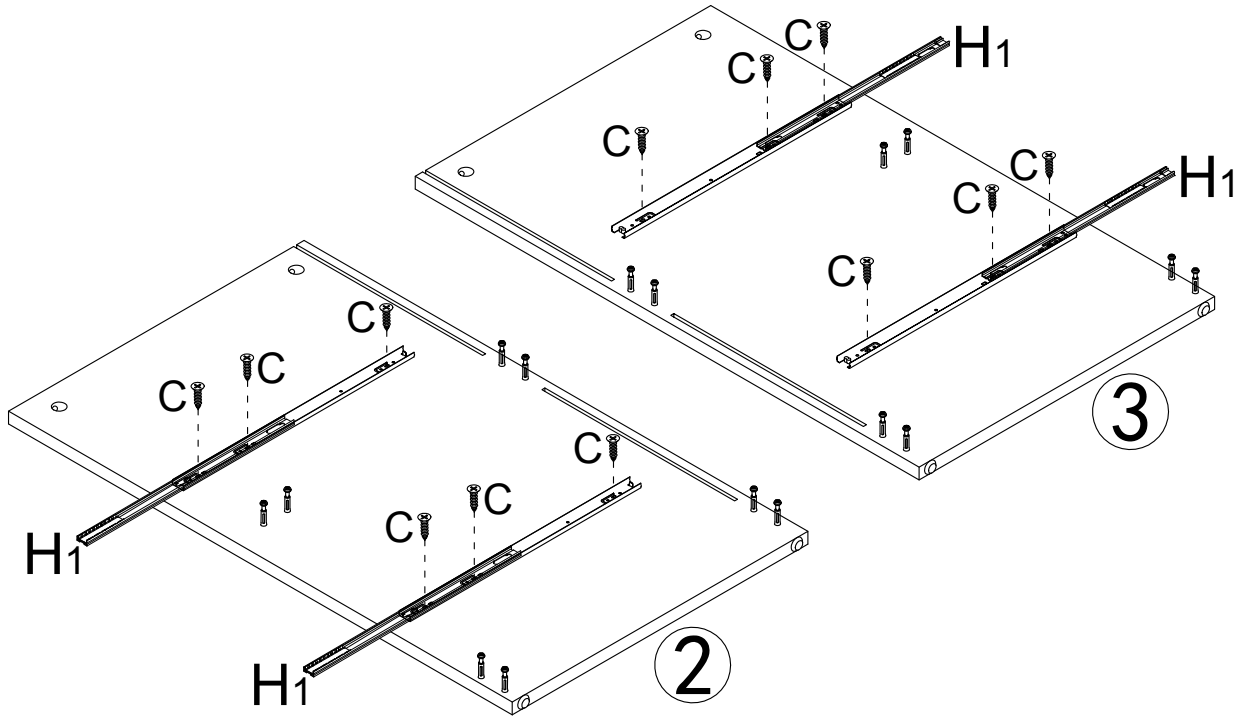
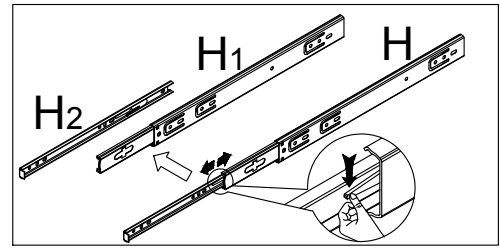
M	x2	F	x2	A	x4
					
		M4x12mm		M6x35mm	


2



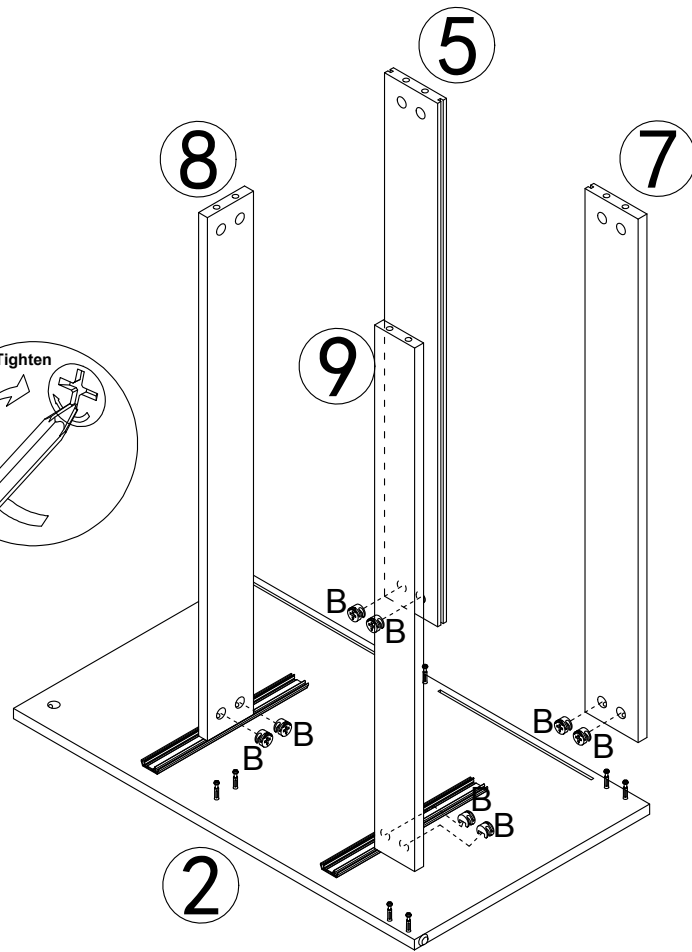
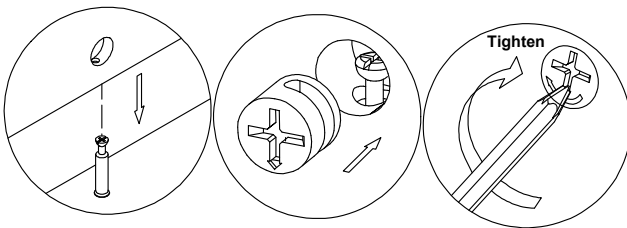
A	x16
	
M6x35mm	


3



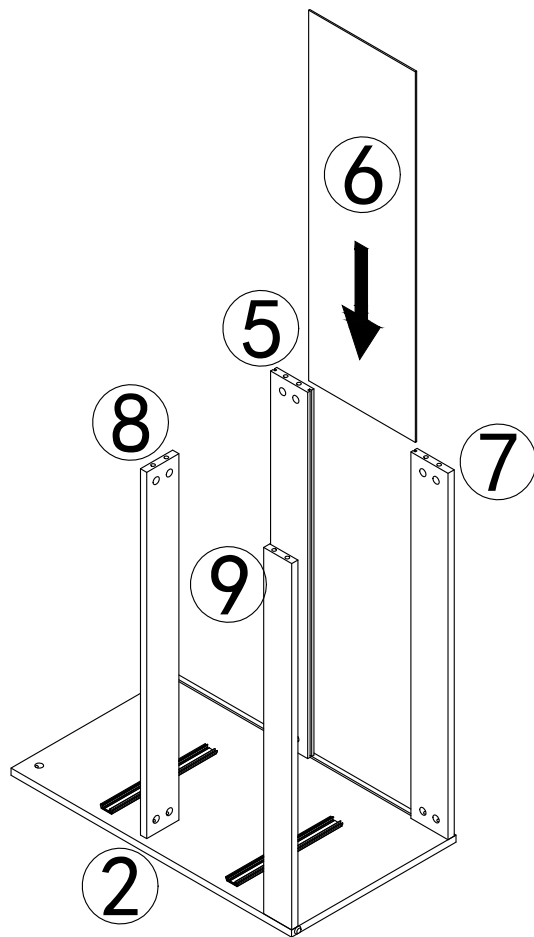
C	X12
	
M3.5x12mm	

4

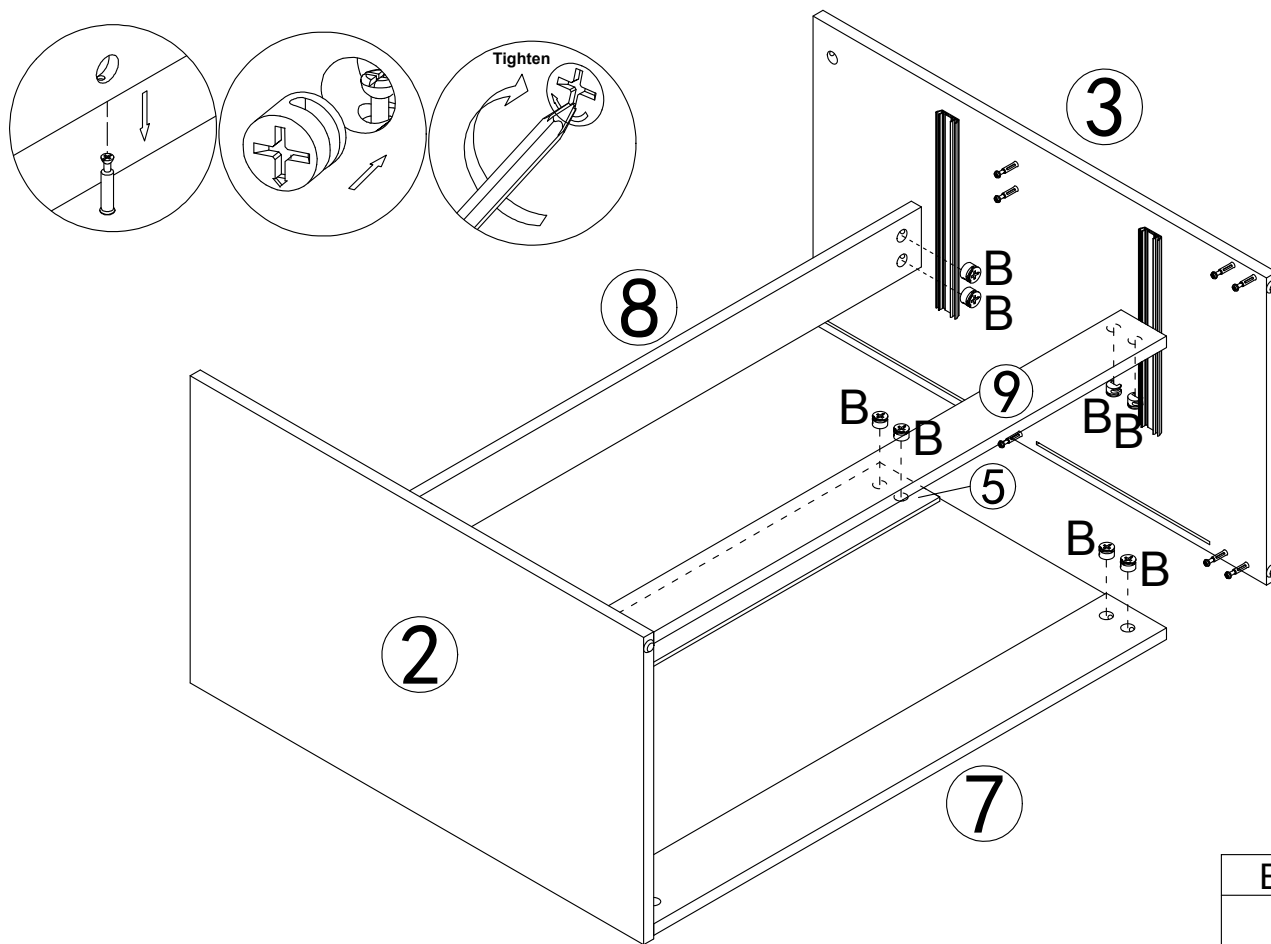



B	X8
	
Ø15x9mm	

5

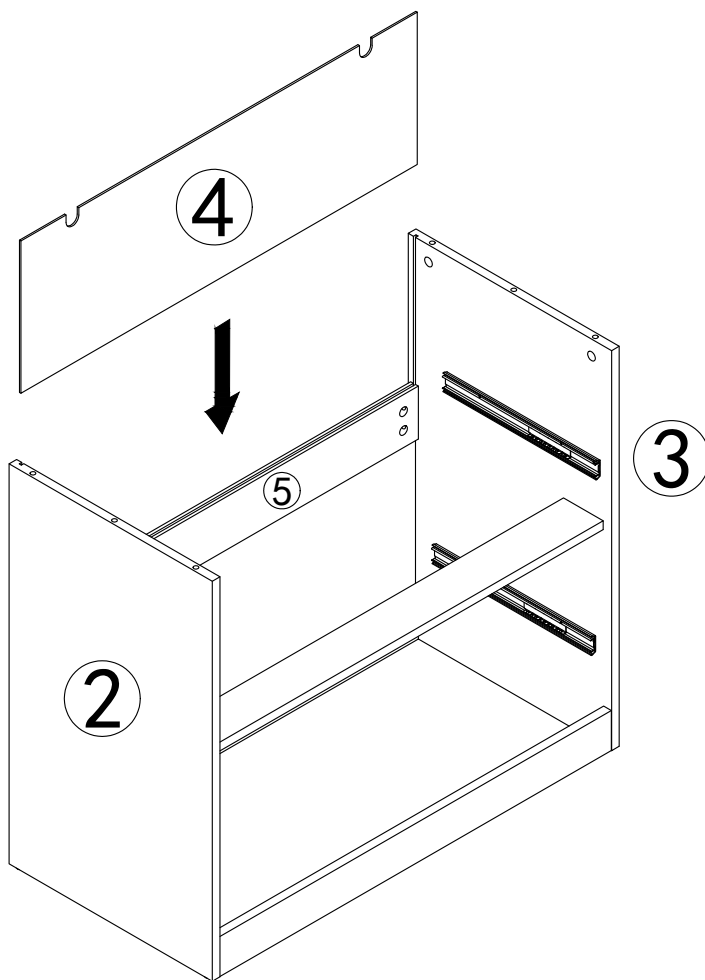


6

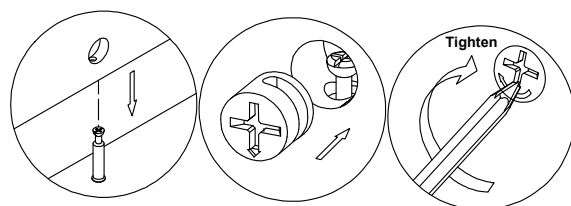
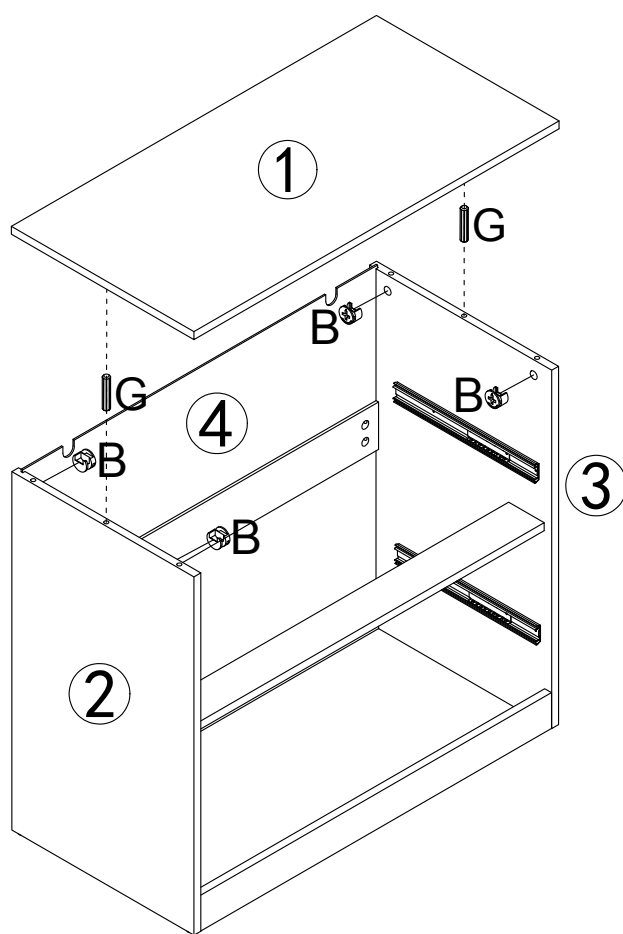



B	X8
	
Ø15x9mm	


7



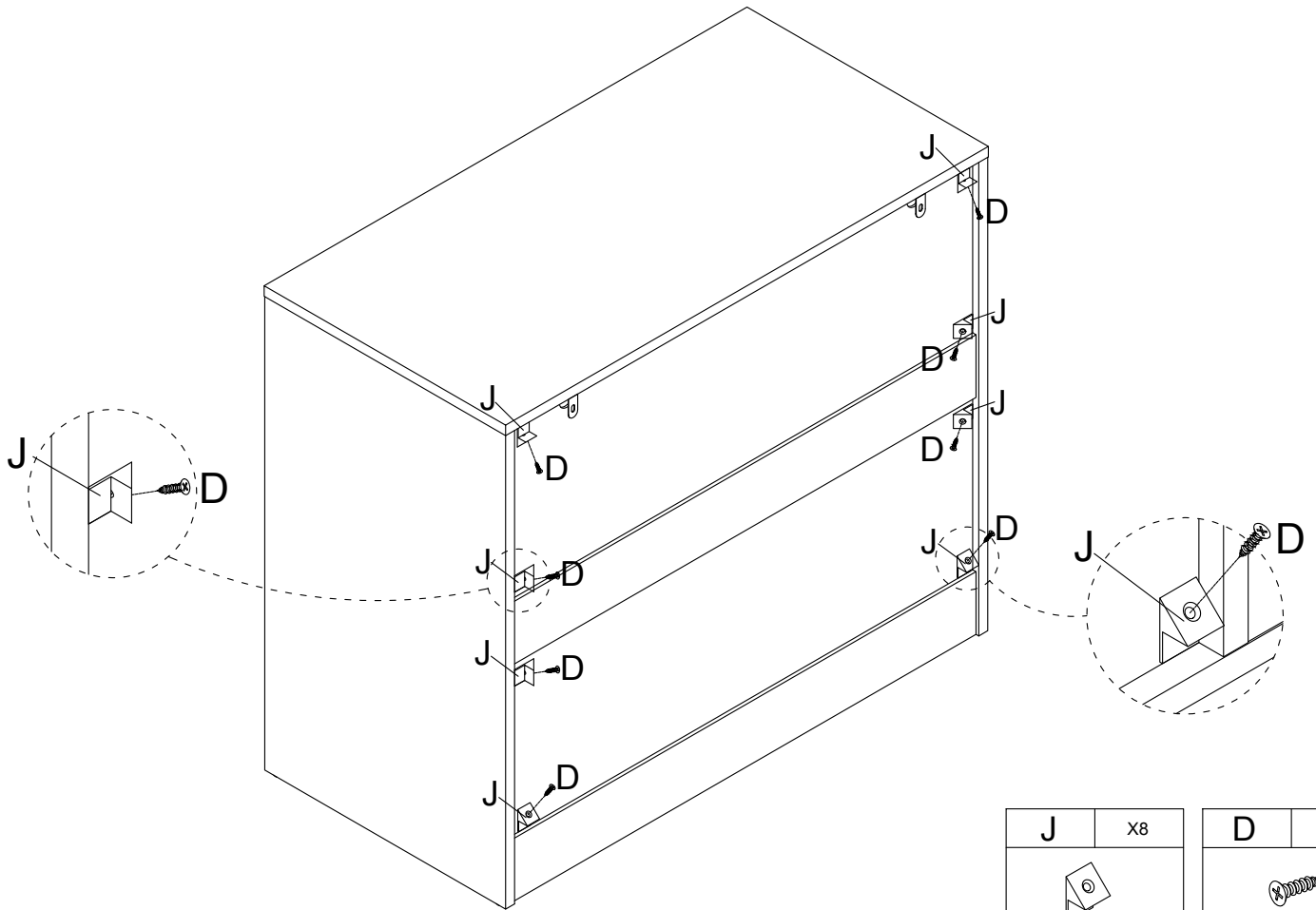
8





B	X4
	
Ø15x9mm	

G	X2
	
Ø8x30mm	

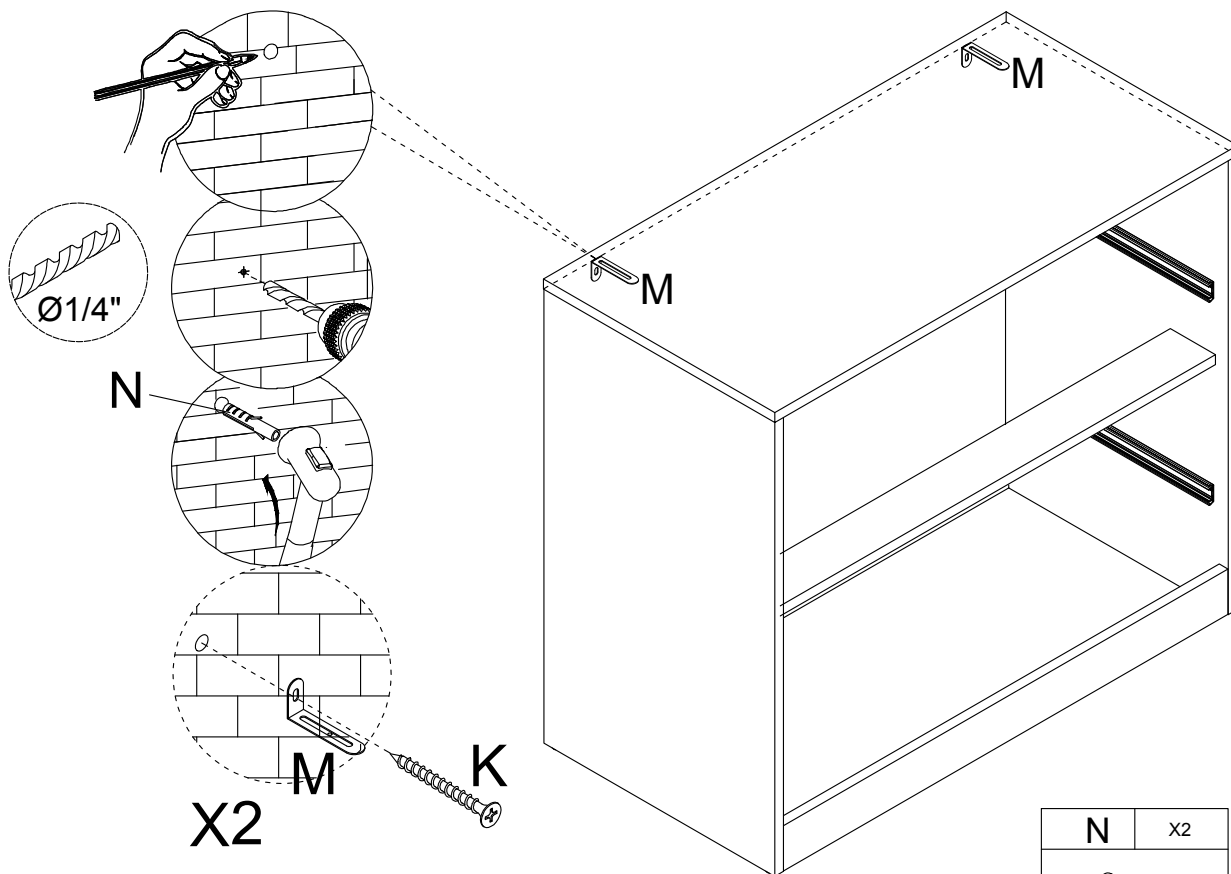
9





J	X8
	

D	X8
	
M3x16mm	

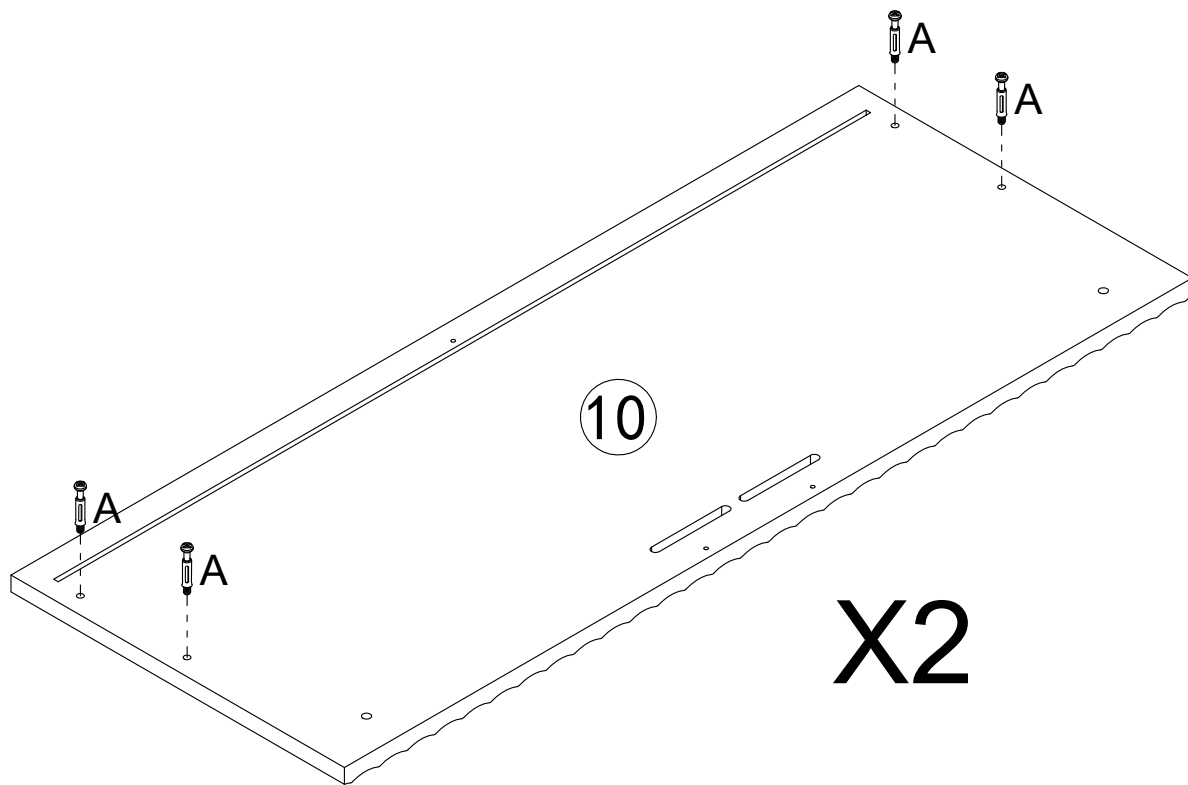
10




N	X2
	
Ø6x30mm	

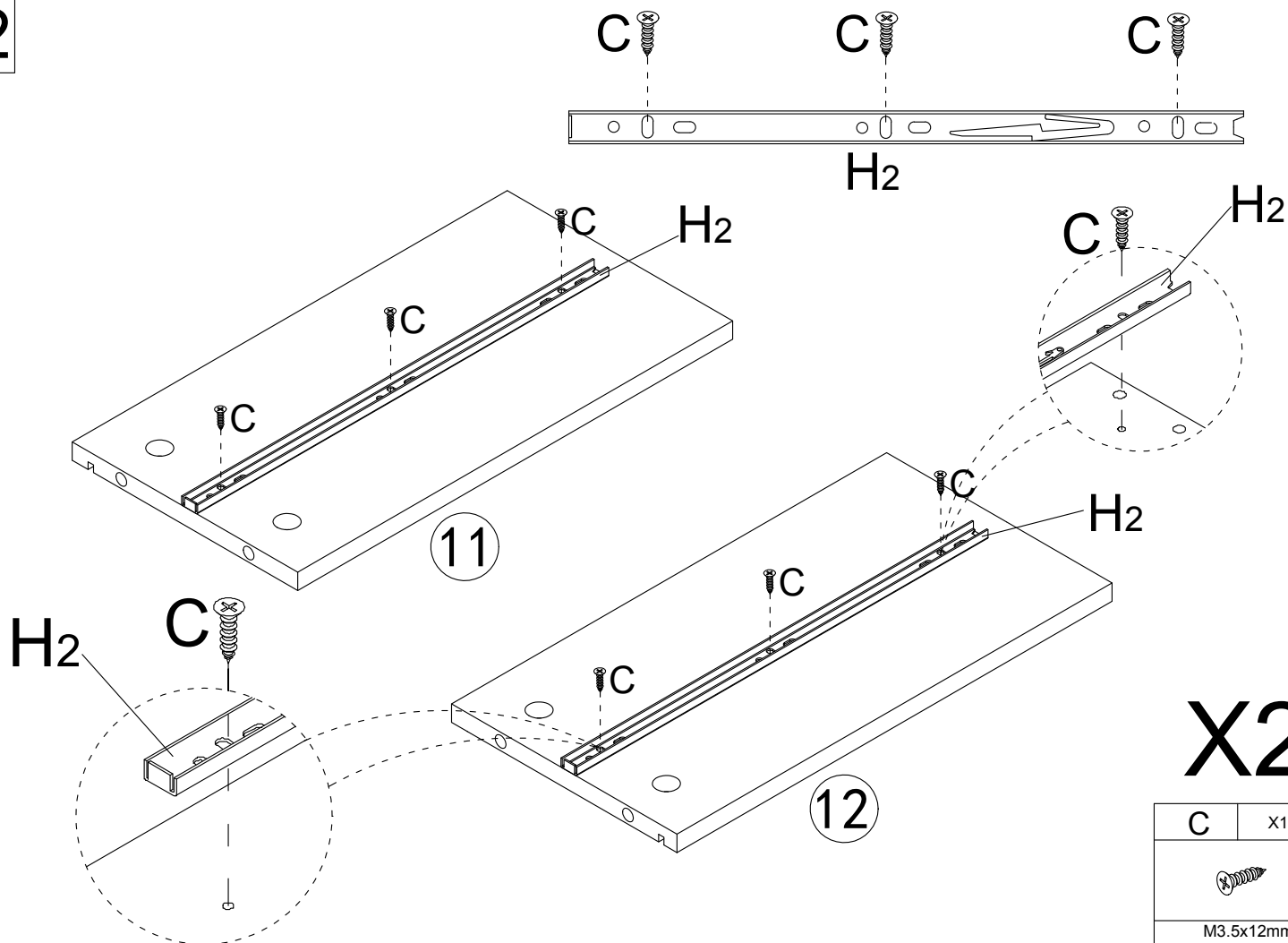
K	X2
	
M4x35mm	


11



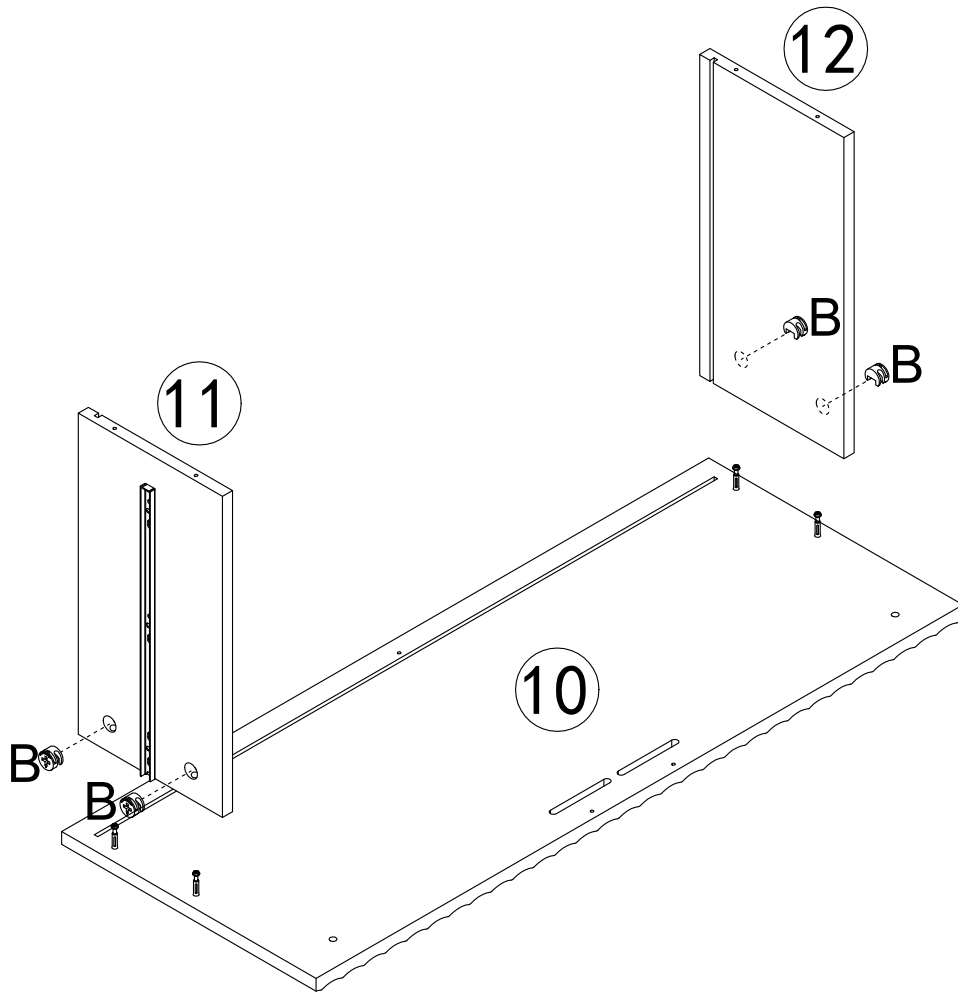
A	X8
	
M6x35mm	

12

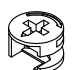


C	X12
	
M3.5x12mm	

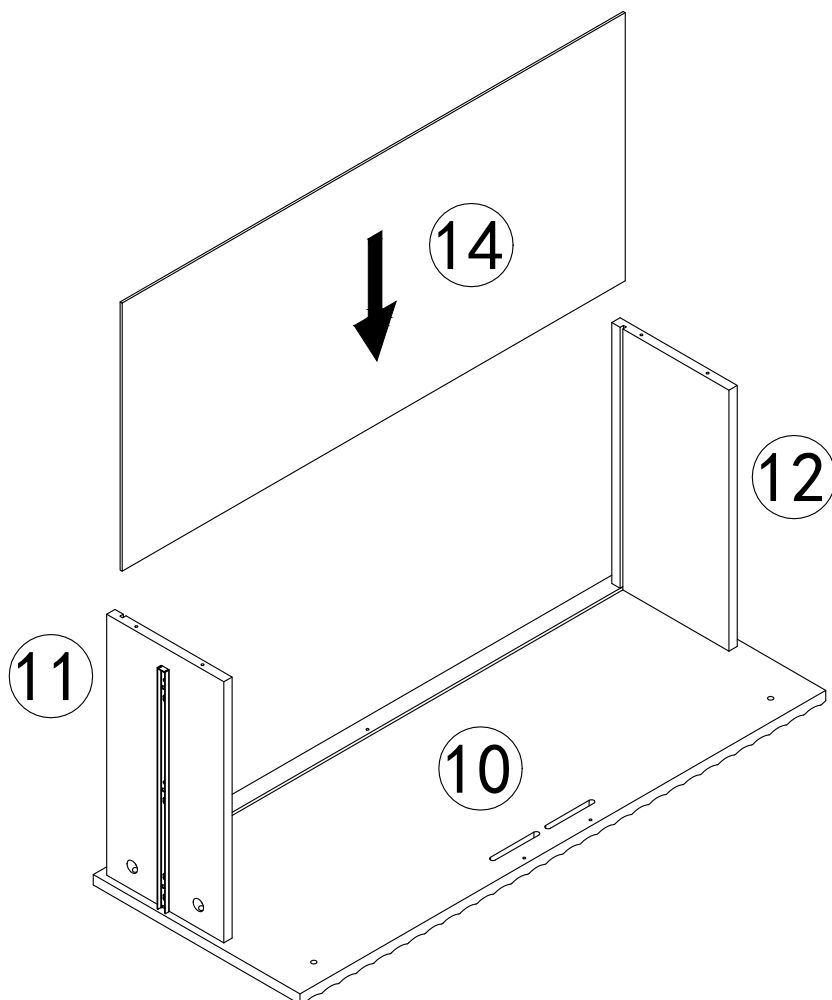
13



X2

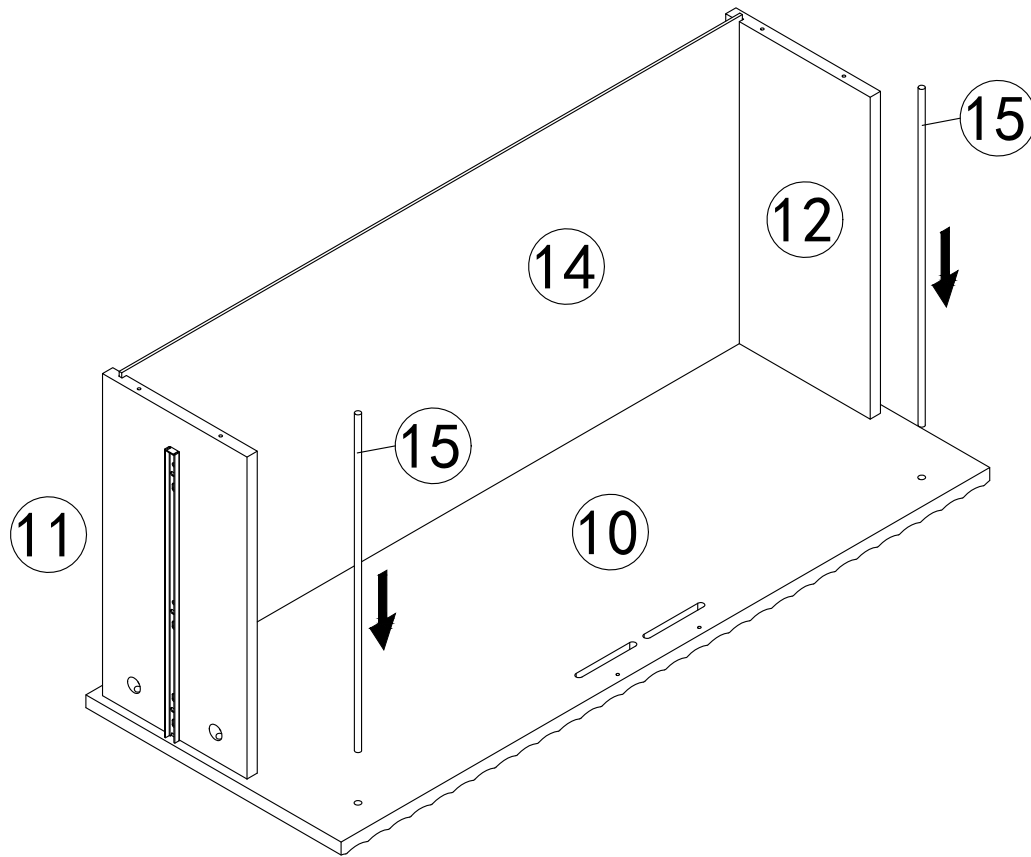
B	x8
	
Ø15x9mm	

14



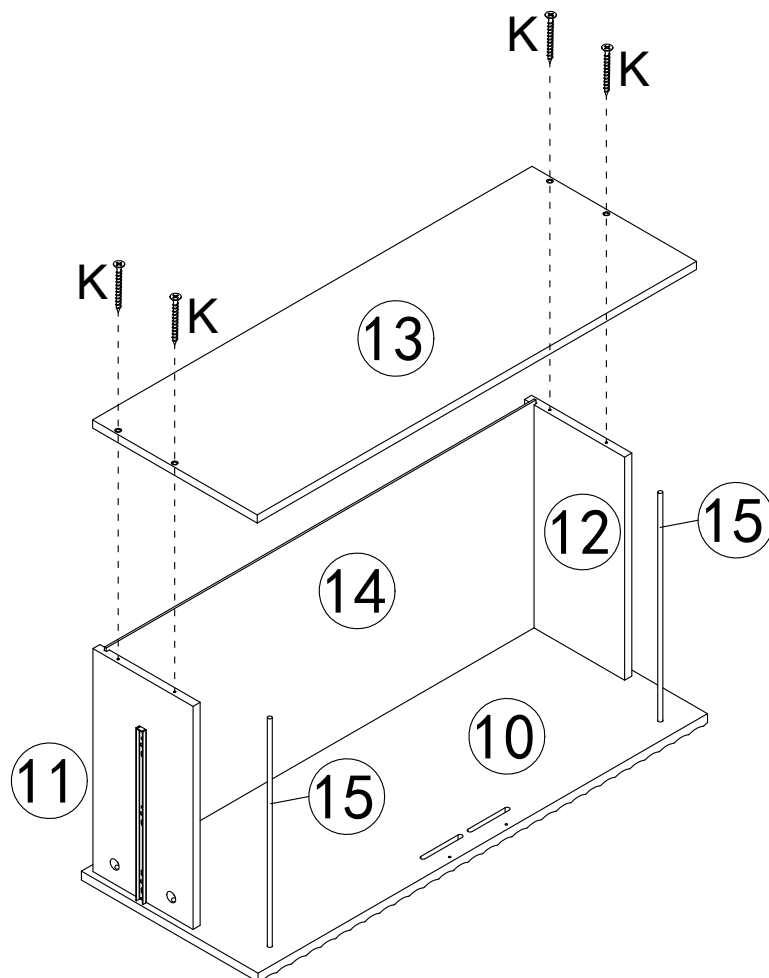
X2

15




X2

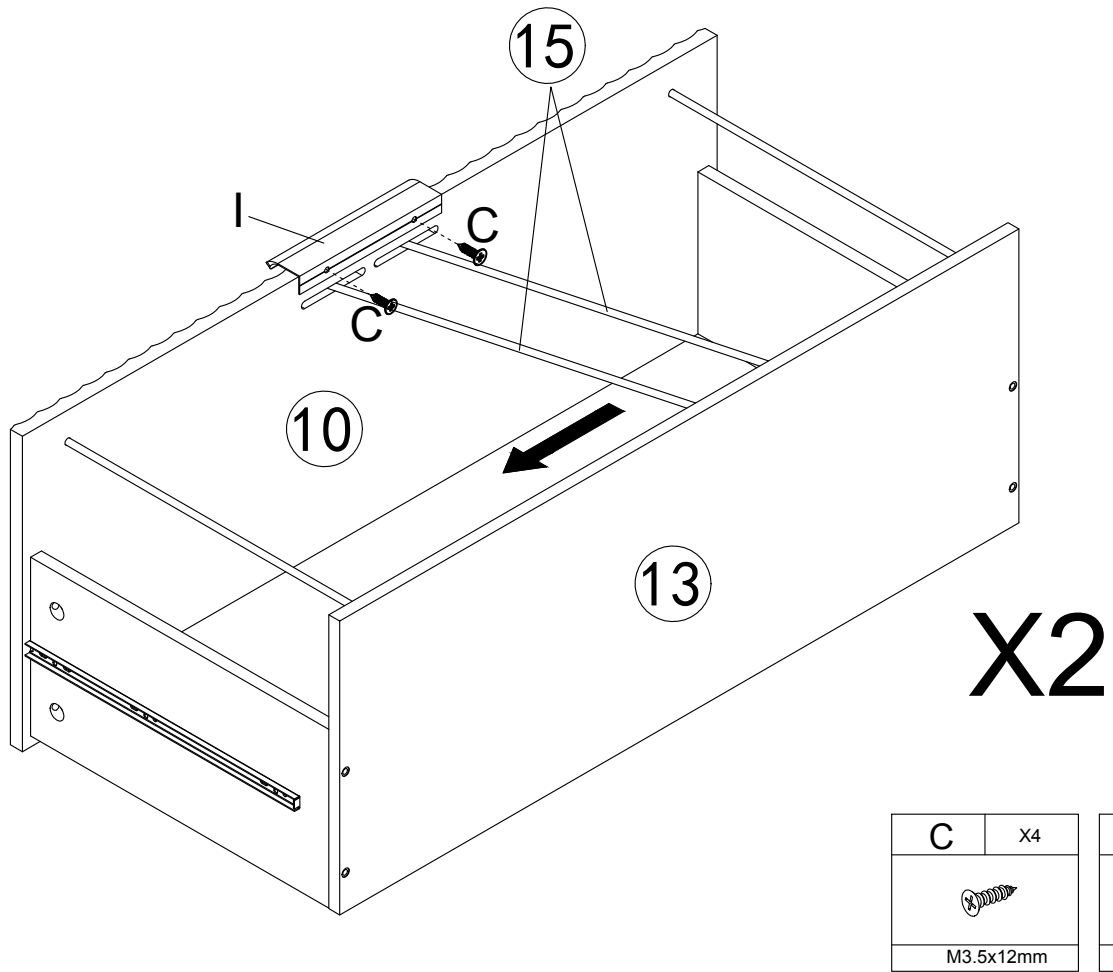
16



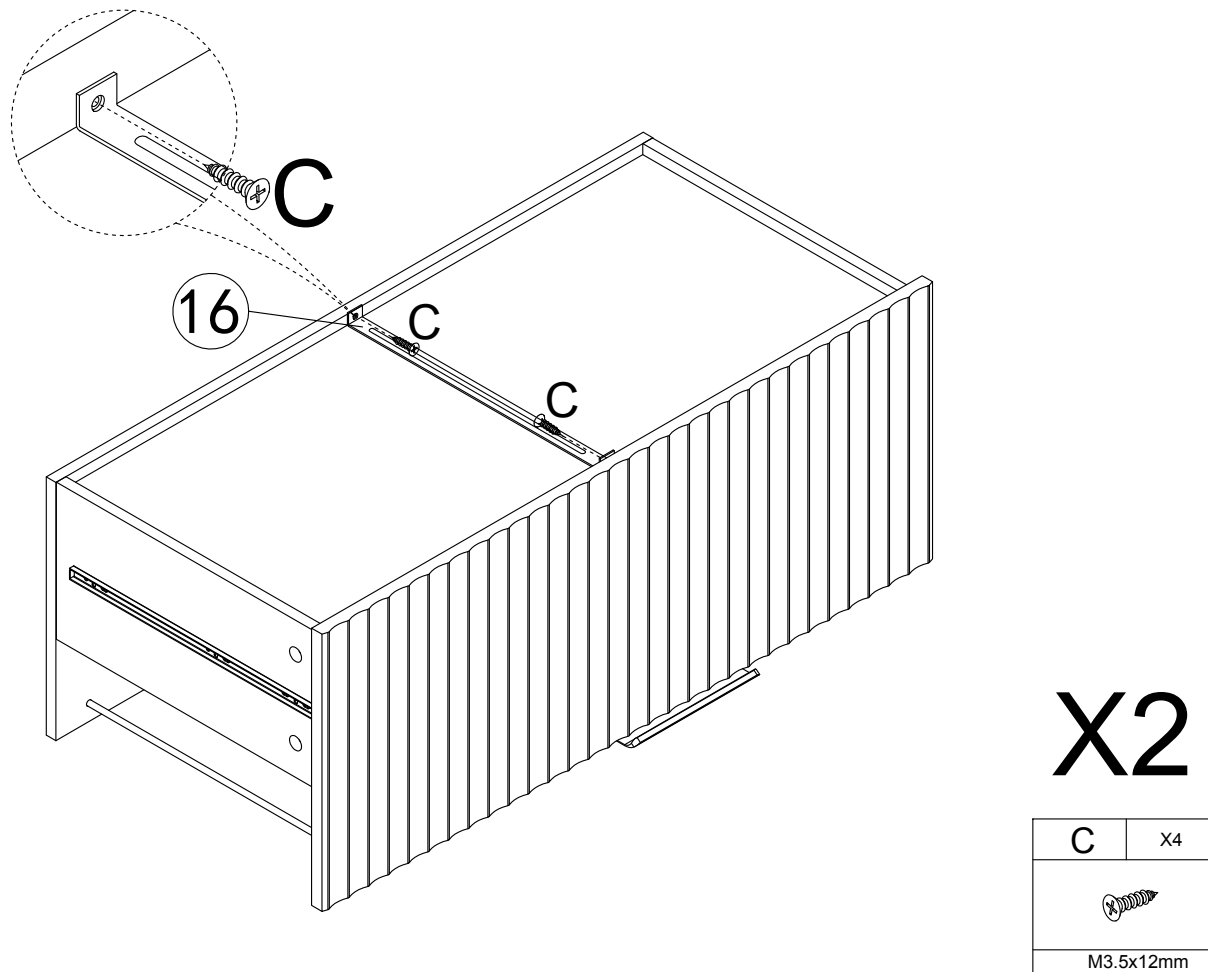
X2

K	x8
	
M4x35mm	

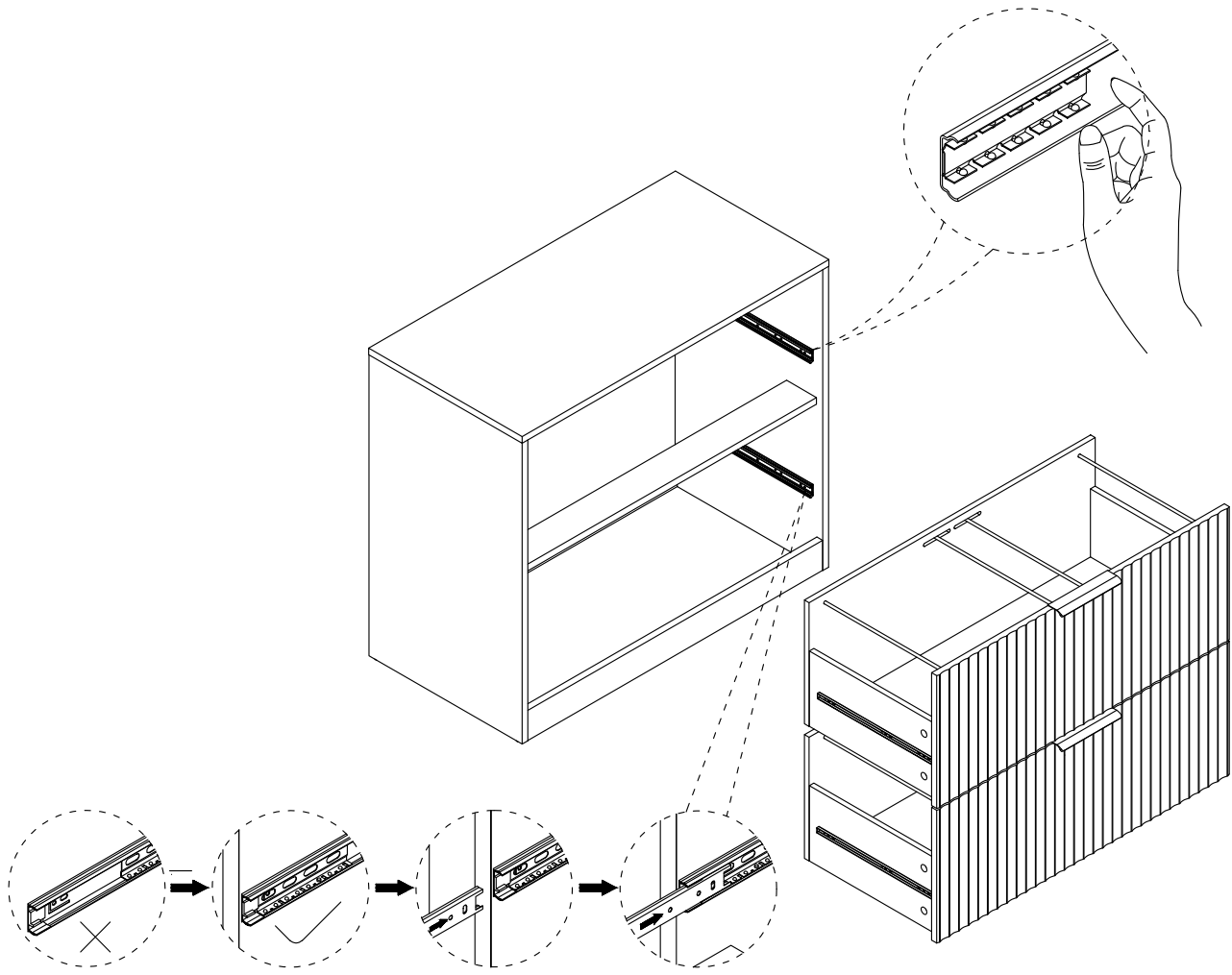
17



18



19



20

Note: If the drawer gap is not the same, please adjust the hole position on the Slide.

