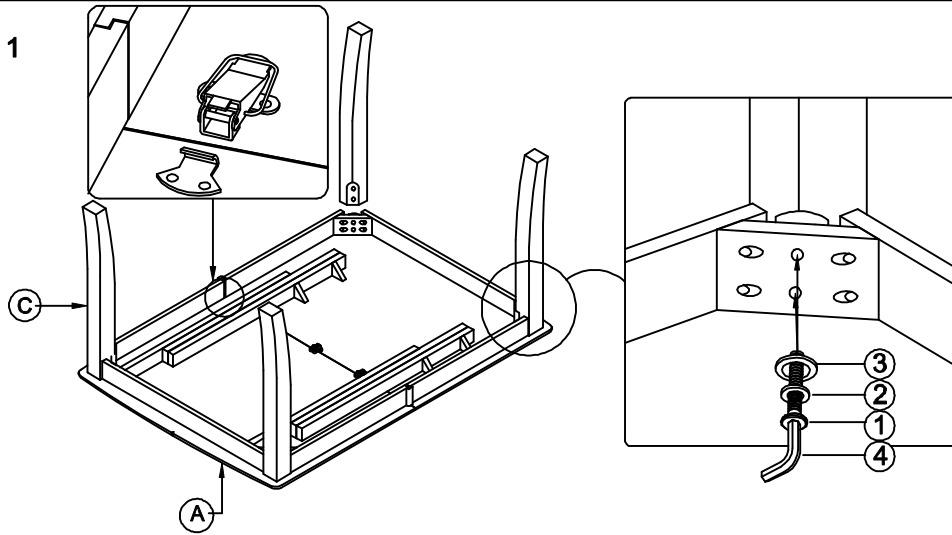
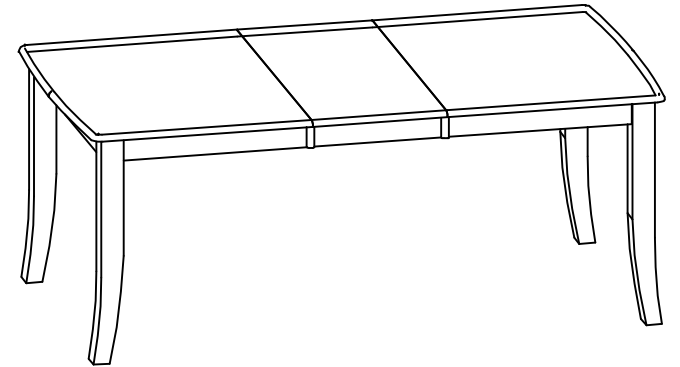


ASSEMBLY INSTRUCTIONS

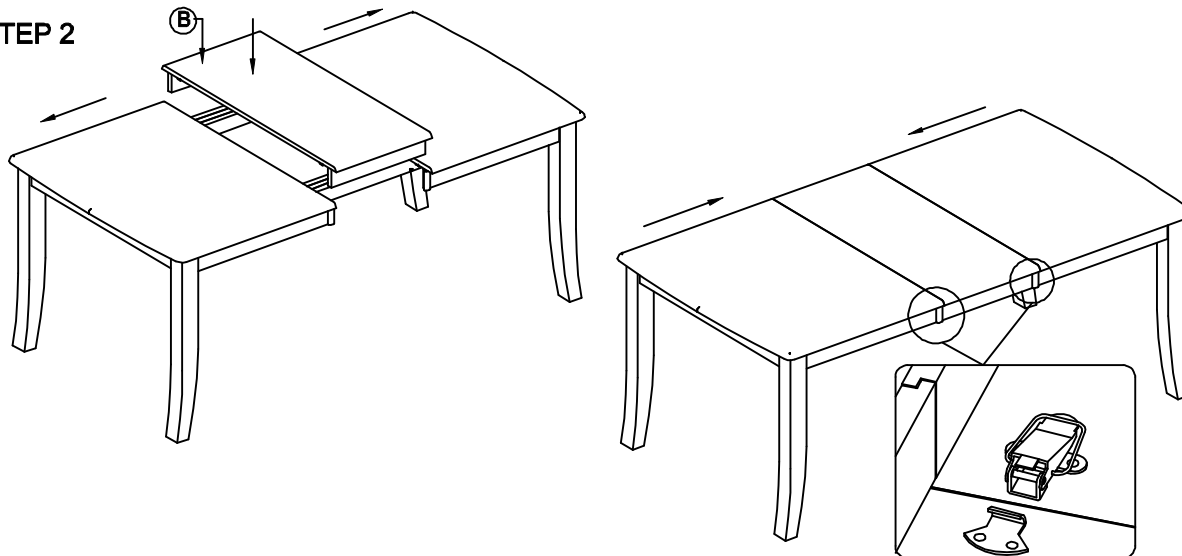
STEP 1



FINAL



STEP 2



NO.	OUTLOOK	DESCRIPTION	Q'TY
A		TABLE TOP	1PC
B		LEAF	1PC
C		LEG	4PCS
NO.	OUTLOOK	SIZE	Q'TY
1		5/16"x60mm	8 PCS
2		5/16"x Ø13x2mm	8 PCS
3		5/16"x Ø19x2mm	8 PCS
4		4mm	1 PC