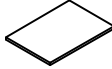



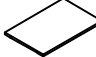






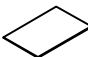

















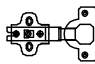


# ASSEMBLY INSTRUCTION

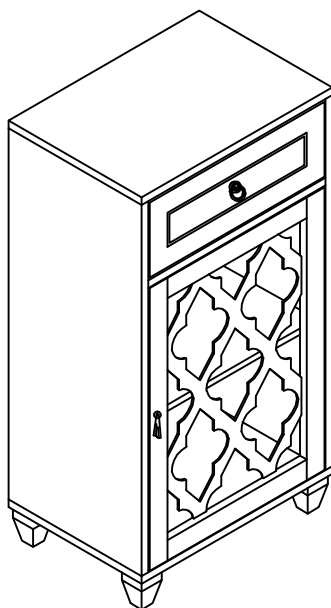
Thank you for purchasing this quality product. Be sure to check all packing material carefully for small parts which may have come loose inside the carton during shipment. Separate, Identify and count all parts and metal hardware. Compare with parts list to be sure all parts are present. If any part(s) are missing or damaged, please contact your local furniture dealer. For efficient and speedy service, please indicate the model number and code letter of part(s) needed.

**\*\*\* Do not fully tighten screws until fully assembled \*\*\***

COMPONENT PARTS		
DESCRIPTION	PART NAME	Q`TY (PCS)
①	Top Panel 	1
②	Side Panel 	1
③	Side Panel 	1
④	Door Leaf 	1
⑤	Shelf 	1
⑥	Cross Bar 	1
⑦	Bottom Panel 	1
⑧	Drawer Front 	1
⑨	Drawer side 	1
⑩	Drawer side 	1
⑪	Drawer Back 	1
⑫	Draewer Bottom 	1
⑬	Foots 	4
⑭	Back Panel 	1

## HARDWARES REQUIRED

<b>(A)</b>		Cam lock		10 PCS
<b>(B)</b>		Cam bolt		10 PCS
<b>(C)</b>		Wood dowel		10 PCS
<b>(D)</b>		Screw	$\phi 8 \times 1''$	8 PCS
<b>(E)</b>		Hold hands		1 PC
<b>(F)</b>		Hold hands		1 PC
<b>(G)</b>		Bolt	$\phi 6 \times 22 \text{mm}$	1 PC
<b>(H)</b>		Bolt	$\phi 6 \times 30 \text{mm}$	1 PC
<b>(I)</b>		L-ALLEN KEY	$\phi 1/4''$	1 PC
<b>(J)</b>		Bolt	$\phi 1/4'' \times 1''$	8 PCS
<b>(K)</b>		Spring Washer	$\phi 1/4''$	8 PCS
<b>(L)</b>		Flat Washer	$\phi 1/4'' \times \phi 13 \text{mm}$	8 PCS
<b>(M)</b>		Laminate support		4 PCS
<b>(N)</b>		Hinge		4 PCS
<b>(O)</b>		Screw	$\phi 6 \times 5/8'' \text{mm}$	8 PCS
<b>(P)</b>		Screw	$\phi 11 \times 3/4''$	10 PCS

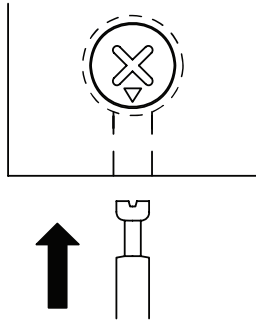


### Attention:

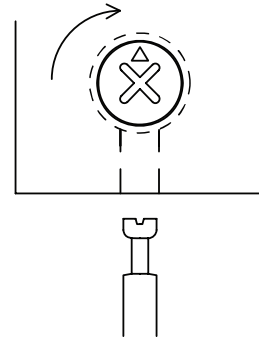
\*\*\* Some number parts listed on the instruction sheet may not be in parts bag as they may be assembled. Carefully check parts and packing materials prior to ordering replacements.

## CAM LOCK SYSTEM

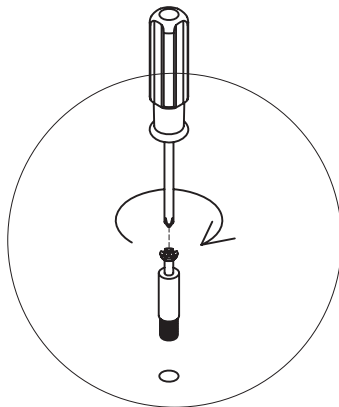
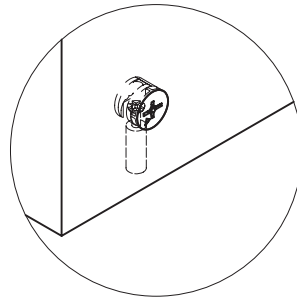
(1)



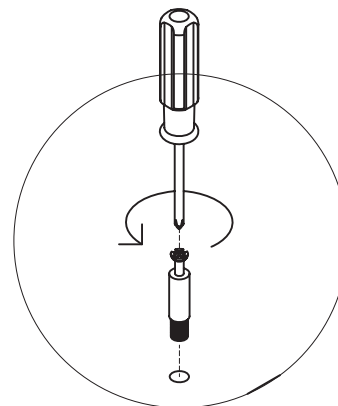
(2)



## IMPORTANT NOTE--CAM LOCK ADJUSTMENT



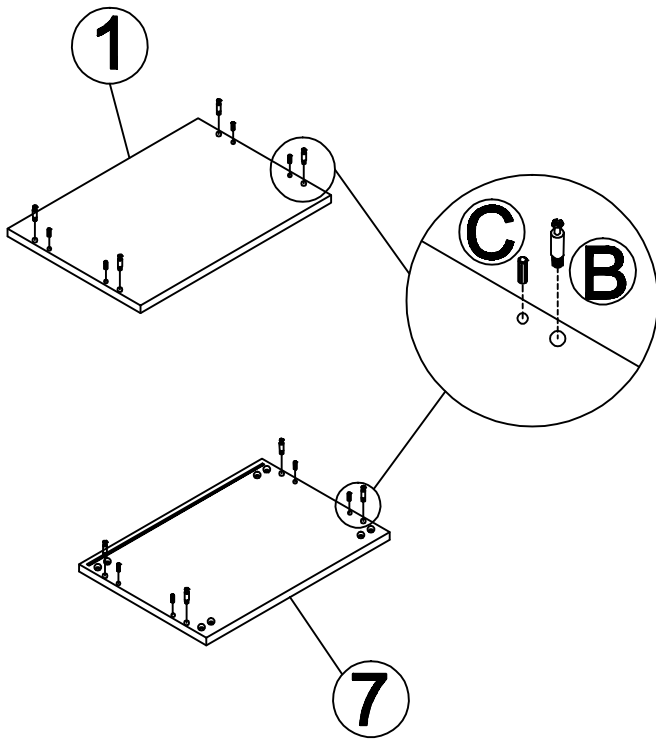
If Cam Lock  
is too loose,  
Please adjust Metal  
Dowel to turn right  
as drawing.



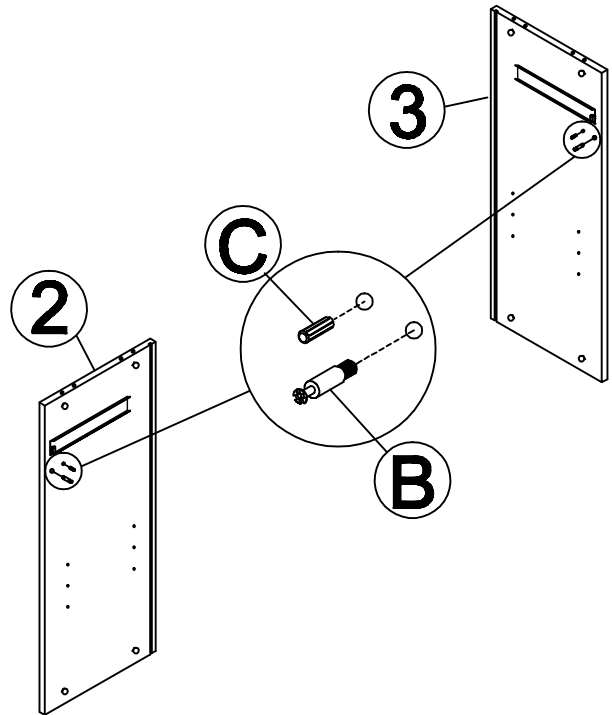
If Cam Lock  
is too tight,  
Please adjust Metal  
Dowel to turn left  
as drawing.

# How to assemble:

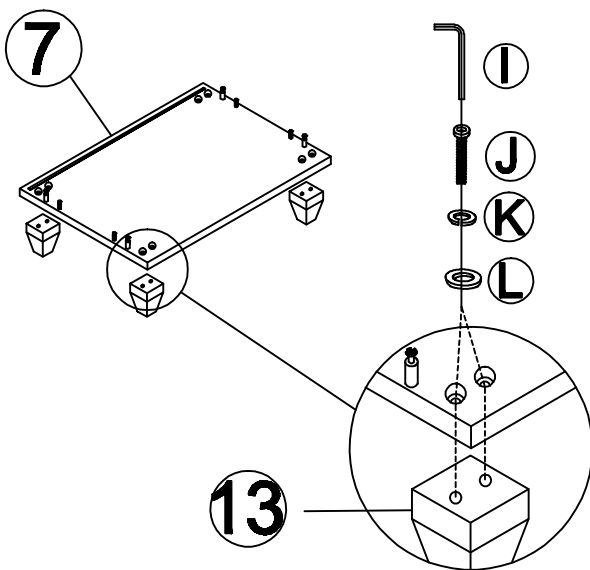
## STEP 1



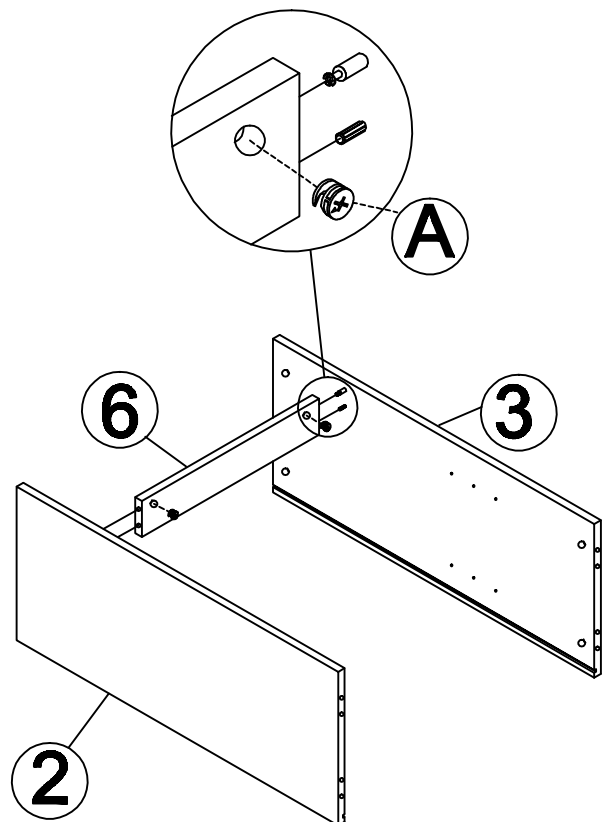
## STEP 2



## STEP 3

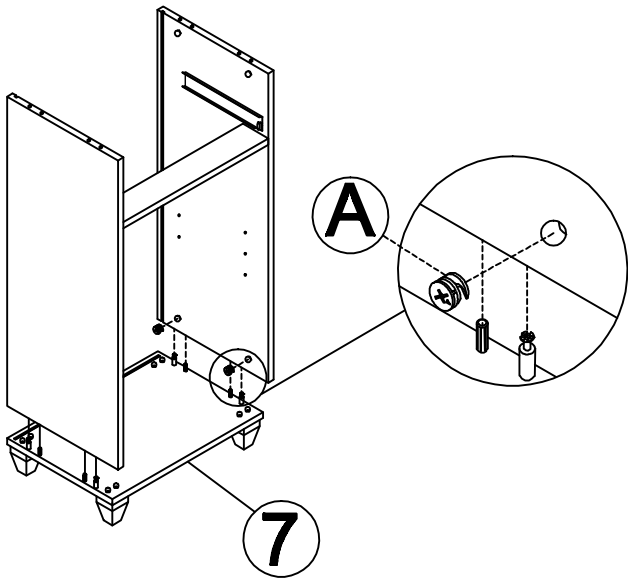


## STEP 4

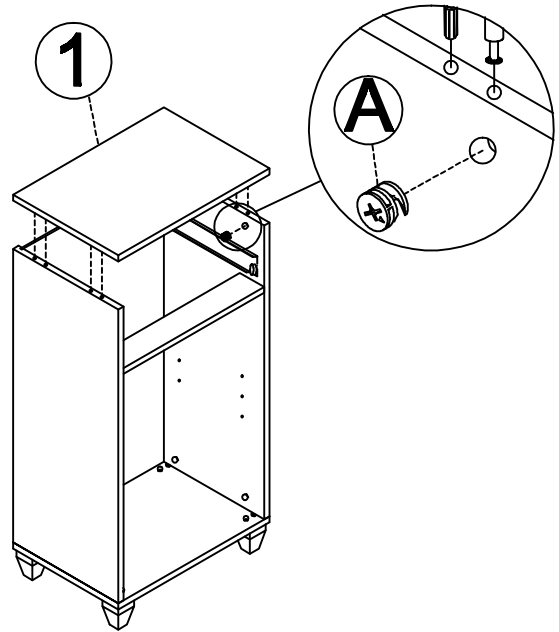


# How to assemble:

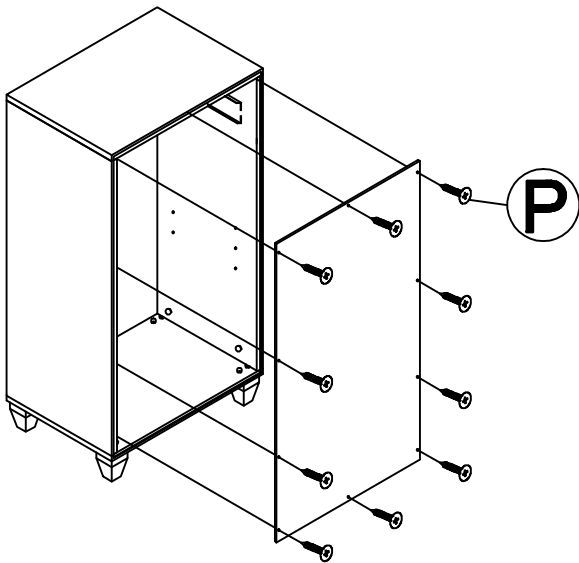
## STEP 5



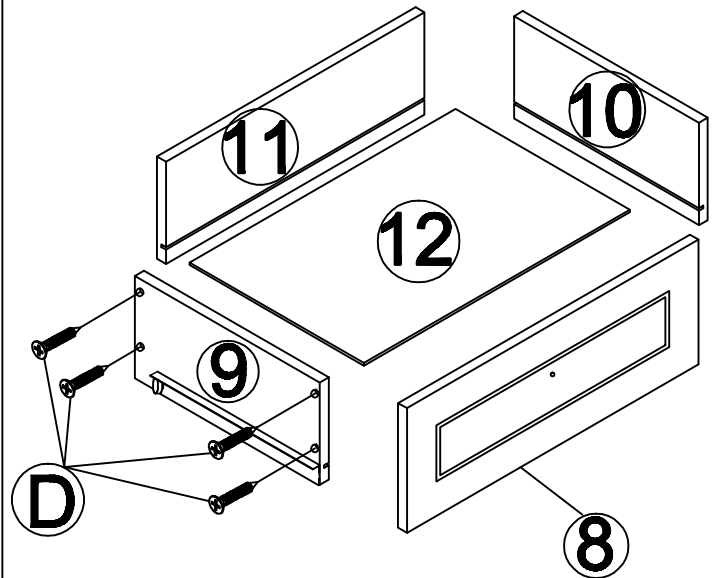
## STEP 6



## STEP 7

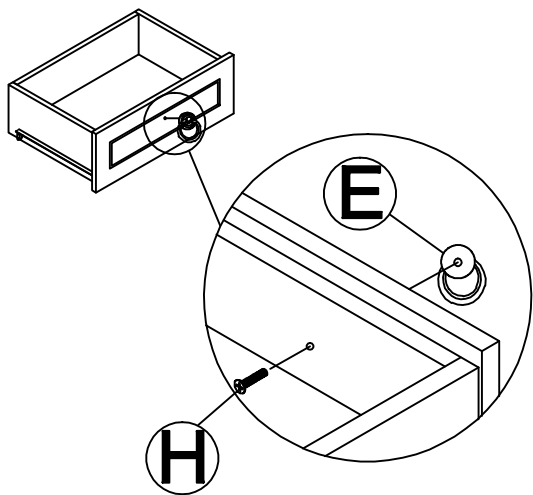


## STEP 8

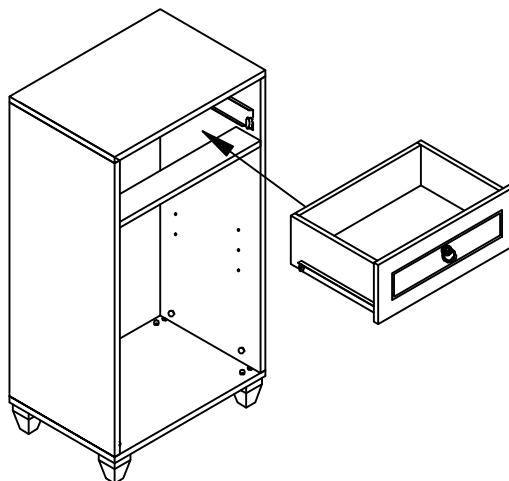


# How to assemble:

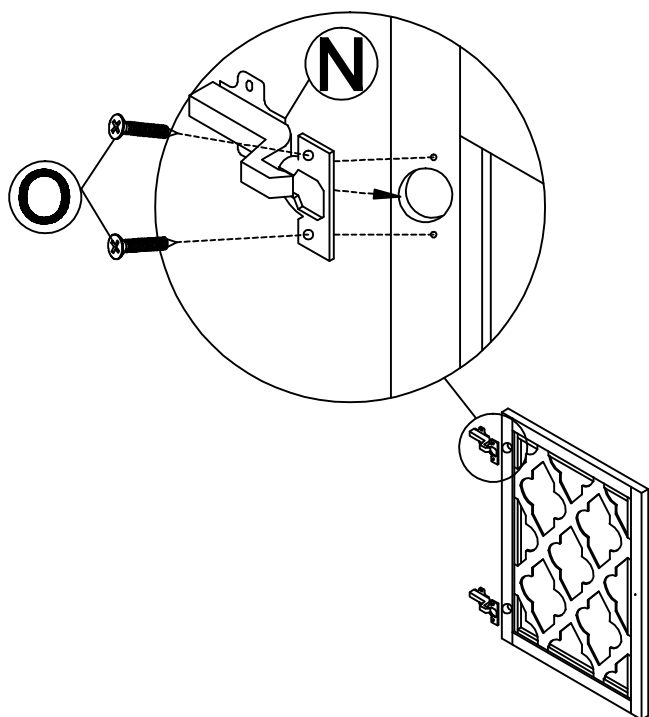
STEP 9



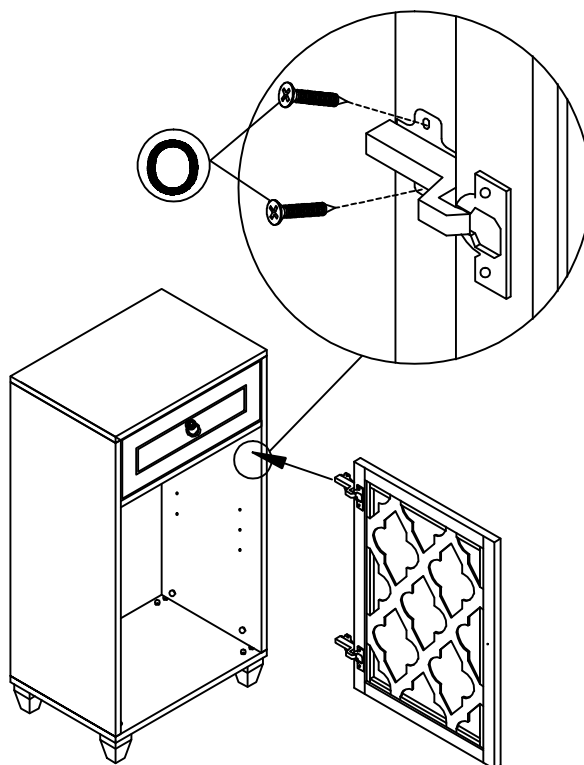
STEP 10



STEP 11

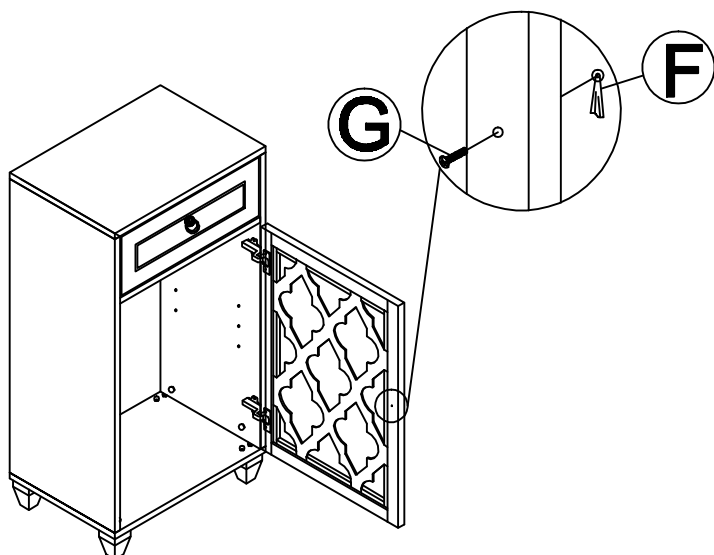


STEP 12

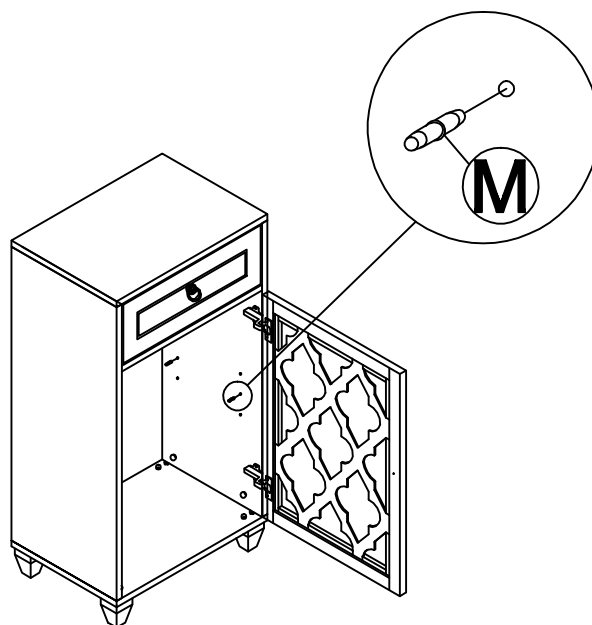


# How to assemble:

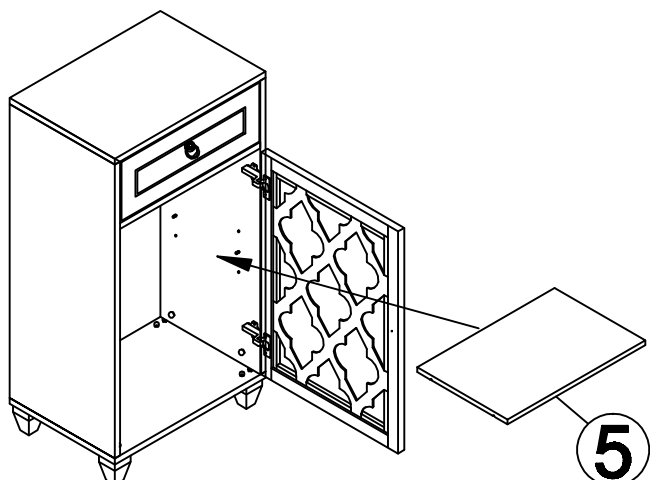
STEP 13



STEP 14



STEP 15



STEP 16

