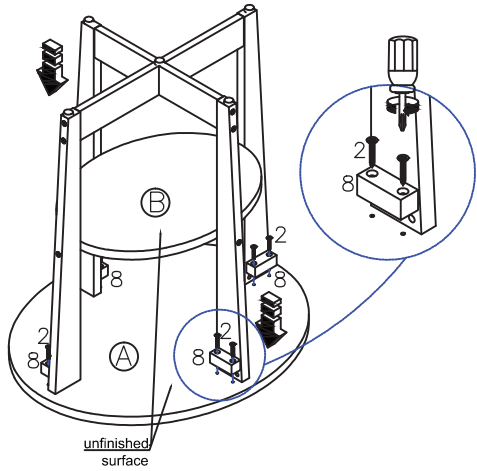


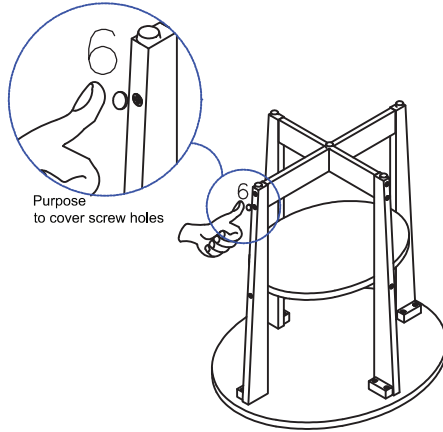
STEP

6



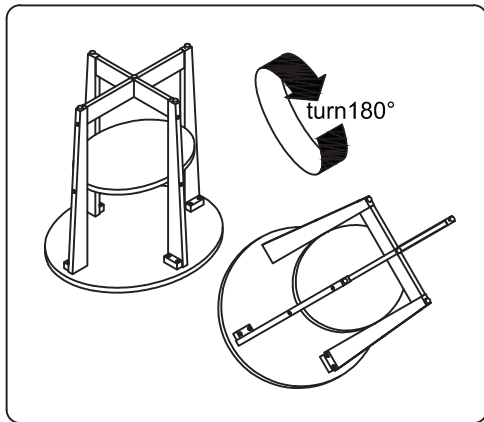
STEP

7

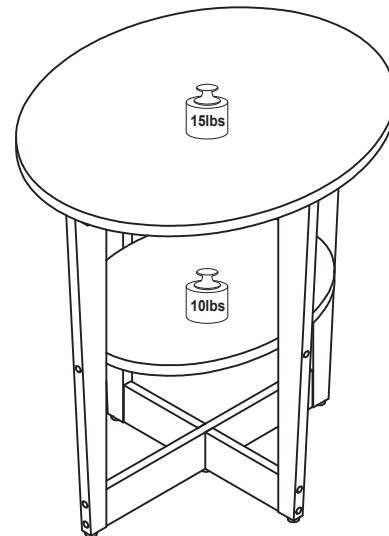


STEP

8



Recommended Maximum Weight:



**WARNING:**

>This unit has been designed to support the maximum loads shown. Exceeding these load limits could cause sagging, instability, product collapse, and/or serious injury.

>DO NOT allow children to climb on unit.

**Assembly Instruction**

Round End Table

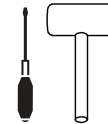
DIMENSION : 18.9"(W) x 19.5"(H) x 15.6"(D)

00:30

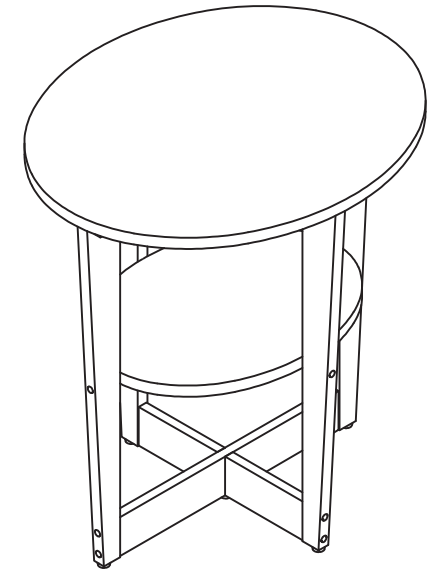
Approx. 30 minutes
















Recomm. 2 Person

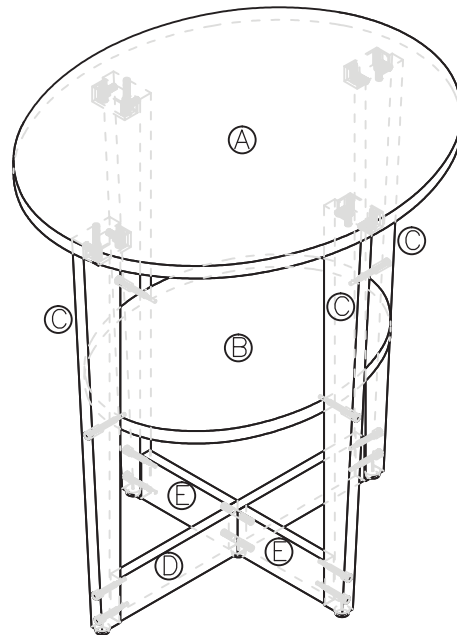


Tool Required



No	Hardware List	Qty
1	Long Screw 	12pcs
2	Short Screw 	8pcs
3	Short Dowel 	4pcs
4	Long Dowel 	2pcs
5	White Glue 	1pc
6	Round Sticker 	12pcs
7	Nail Leg 	5pcs
8	PVC Bracket 	4pcs

No	Parts List	Qty
A	Top Panel 	1pc
B	Shelf Panel 	1pc
C	Leg Panel 	4pcs
D	Long Support Panel 	1pc
E	Short Support Panel 	2pcs

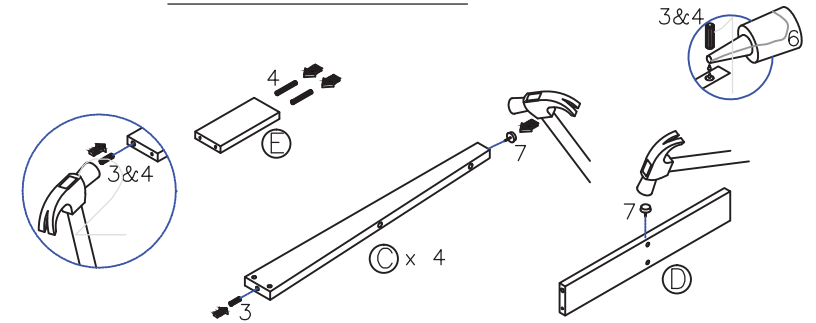


#### USEFUL HINTS BEFORE YOU START:

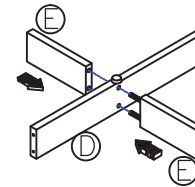
1. Read each step carefully before starting.
2. It is important that each step is performed in correct order to avoid difficulties.
3. Identify, sort and count the parts before assembly.
4. Assemble your furniture on packaging cardboard to prevent scratch or damage.
5. Clean the product with mild cleanser using soft damped cloth. Do not use harsh or abrasive cleanser.
6. Using incompatible hardware might cause damage to product.

#### ASSEMBLY INSTRUCTION

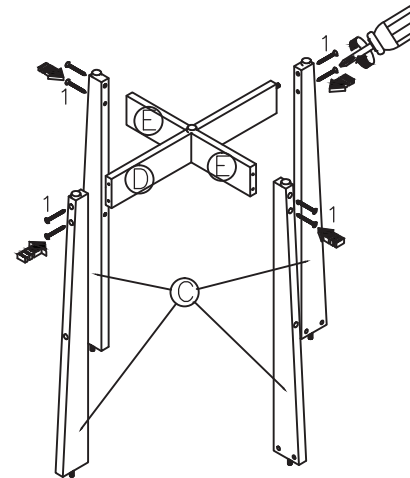
STEP 1



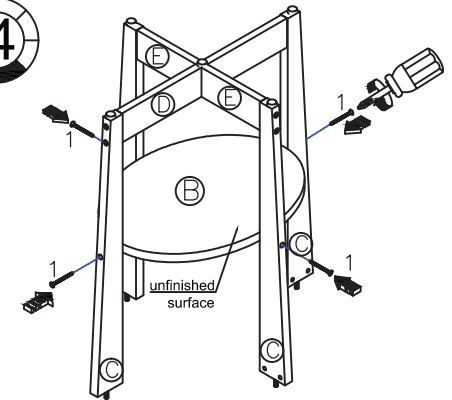
STEP 2



STEP 3



STEP 4



STEP 5

