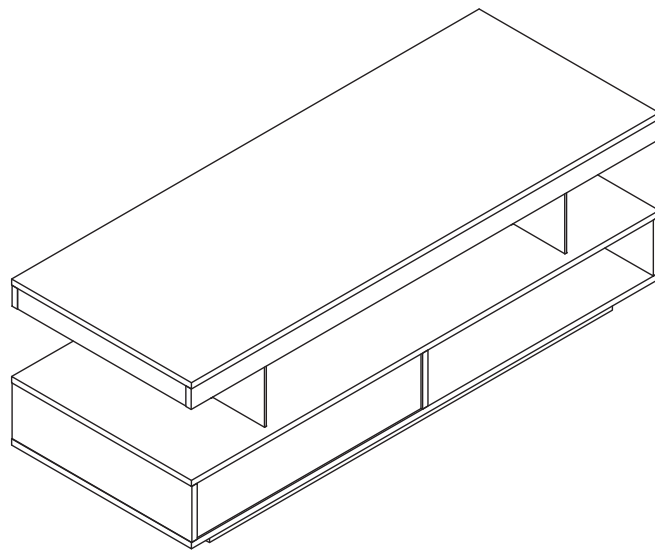
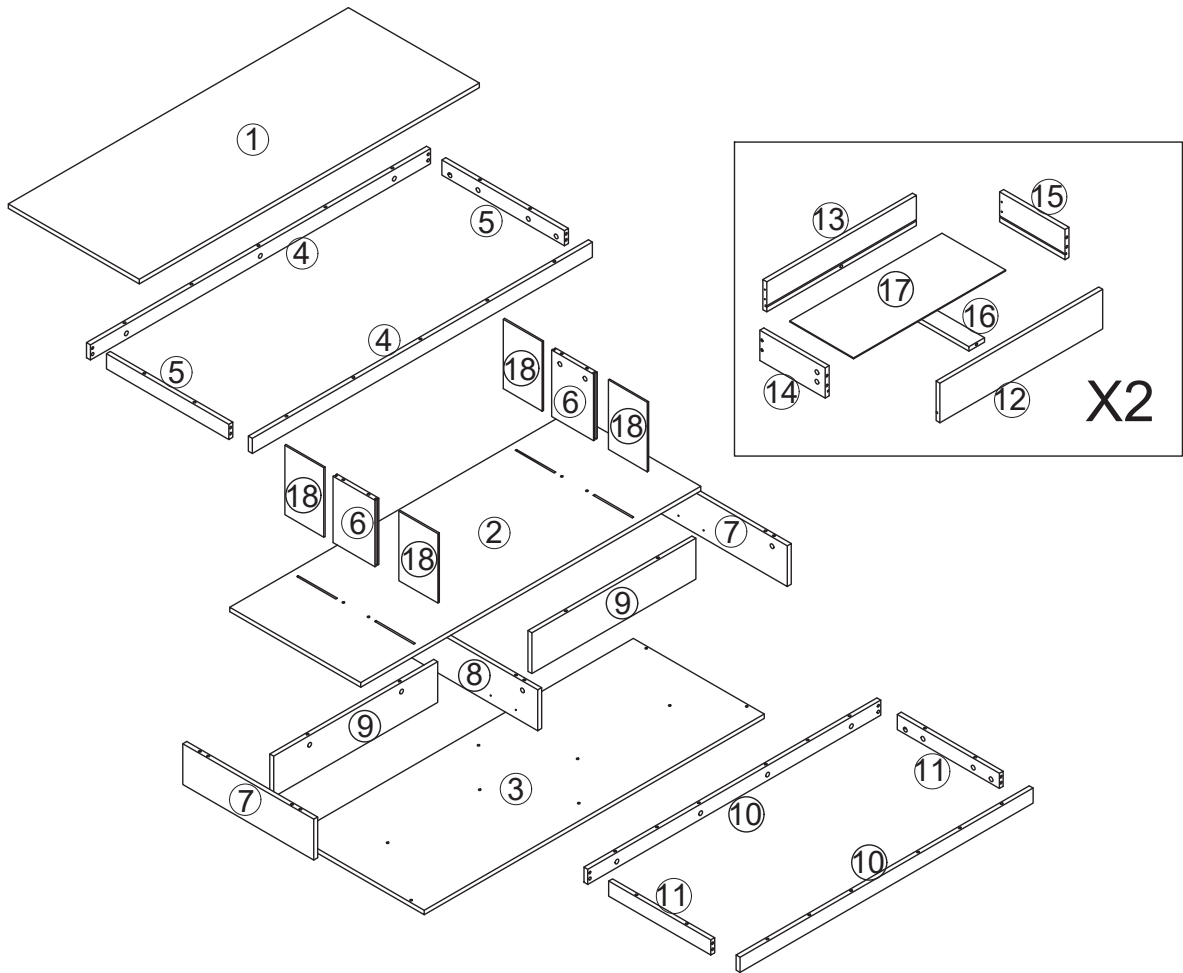


# Coffee Table








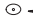





Width-51.18inch  
Depth-19.69inch  
Height-17.72inch

Note: No. 1 2 board with protective film. Please tear it off after installation !

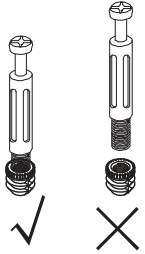


TOOLS 

<p>A</p>  <p>56PCS</p>	<p>B</p>  <p>56PCS</p>	<p>C</p> <p>8*40</p>  <p>22PCS</p>
<p>D</p> <p>3.5*14</p>  <p>20PCS</p>	<p>E</p> <p>3.5*35</p>  <p>8PCS</p>	<p>F</p> <p>7*50</p>  <p>14PCS</p>
<p>G</p>  <p>G1</p>  <p>G2</p> <p>2PCS</p>	<p>H</p> <p>250mm</p>  <p>H2</p>  <p>H1</p> <p>2PCS</p>	<p>LED</p>  <p>1PCS</p>

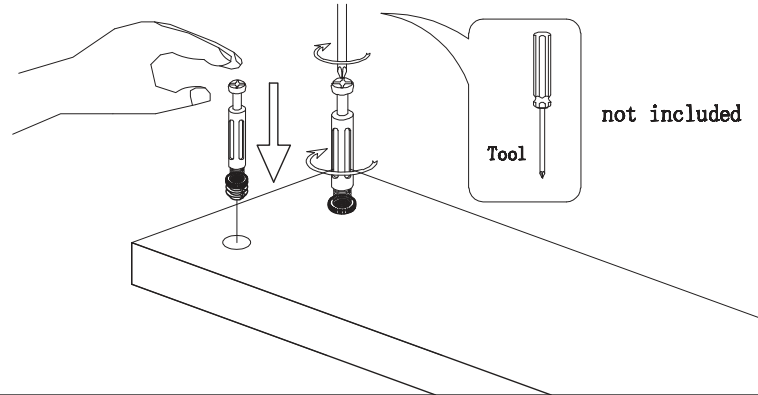
# "A" Hardware installation example

I

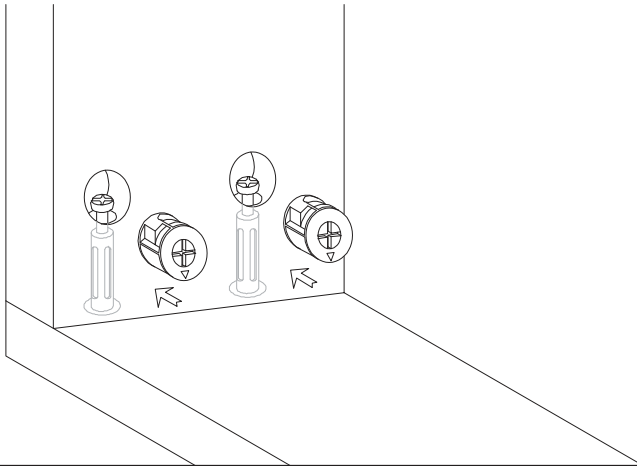


This part cannot be separated,  
please install in strict  
accordance with the assembly  
requirements

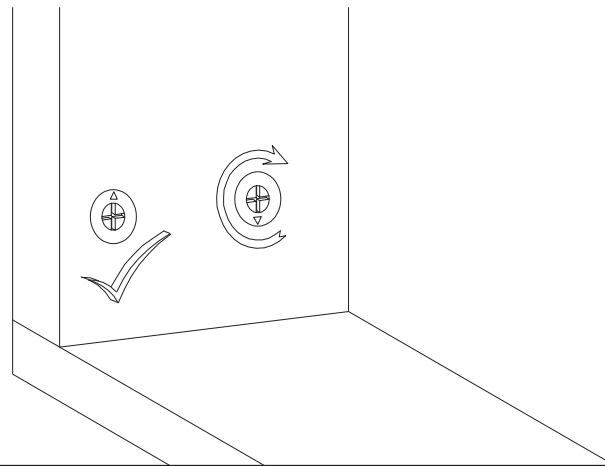
II



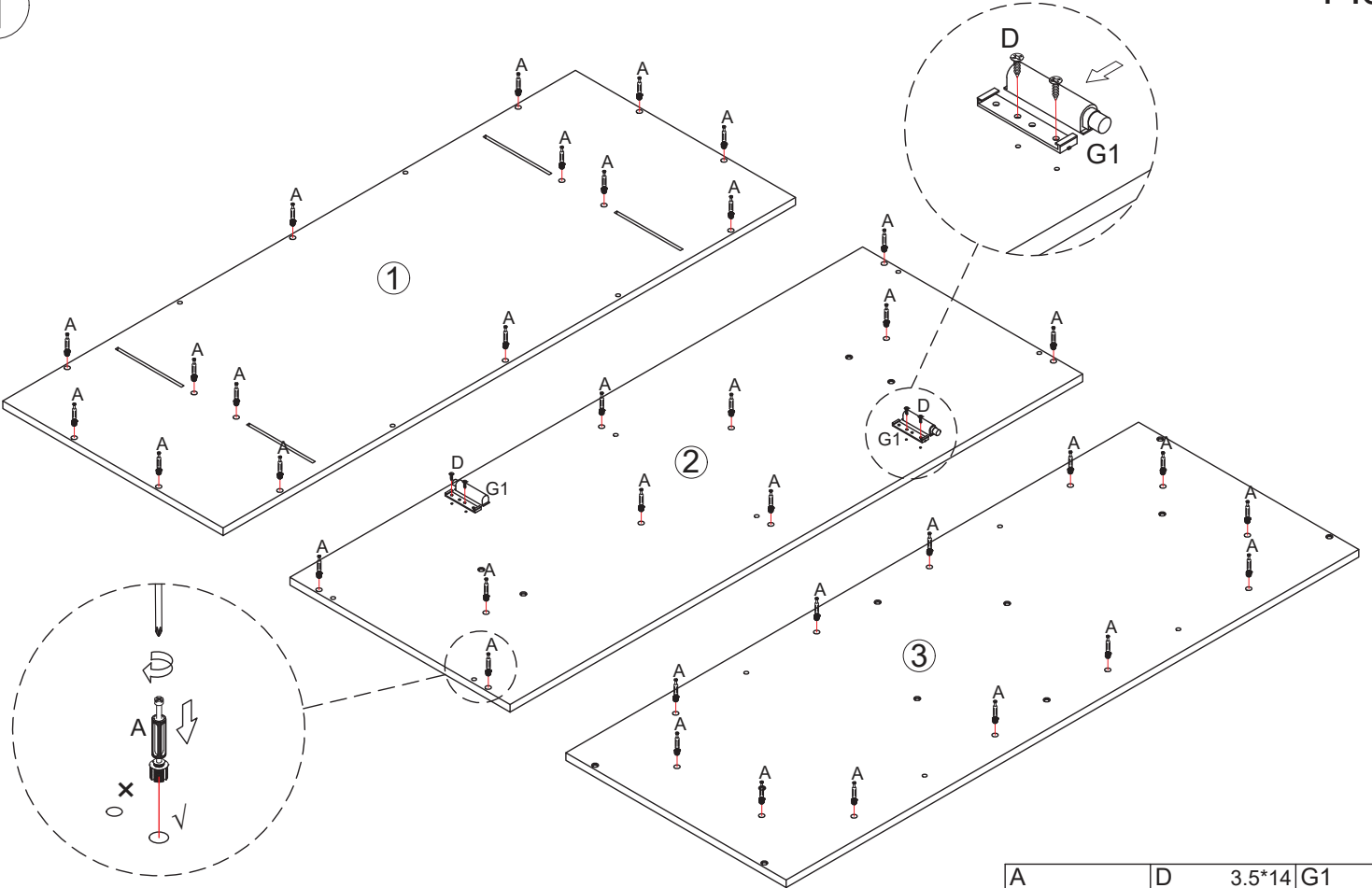
III


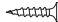



IV



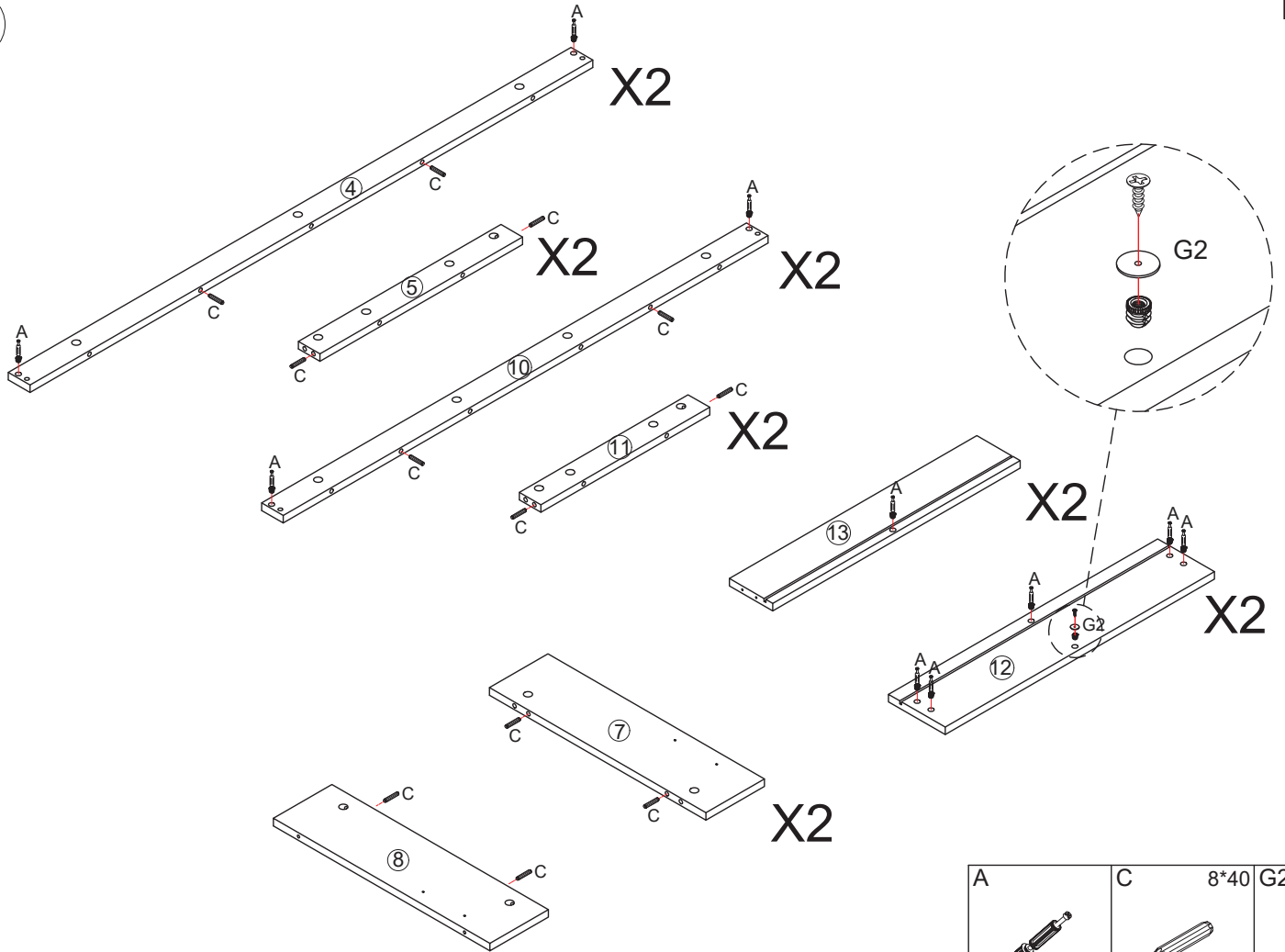
1



A	D	3.5*14	G1
			
36PCS	4PCS		2PCS

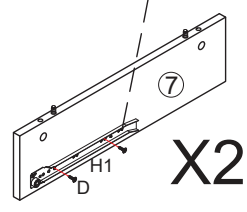
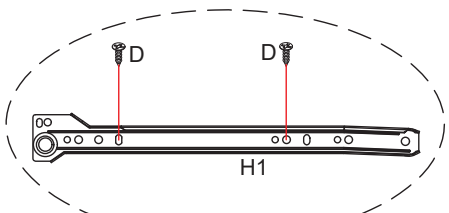
2

P.4

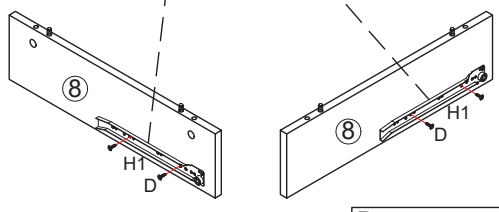
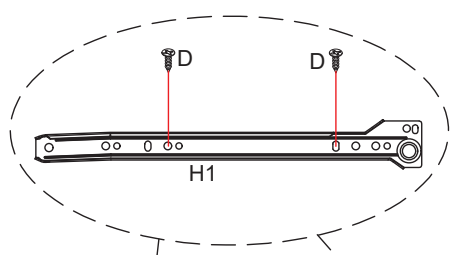


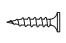

A	C	8*40	G2
20PCS	22PCS		2PCS

3

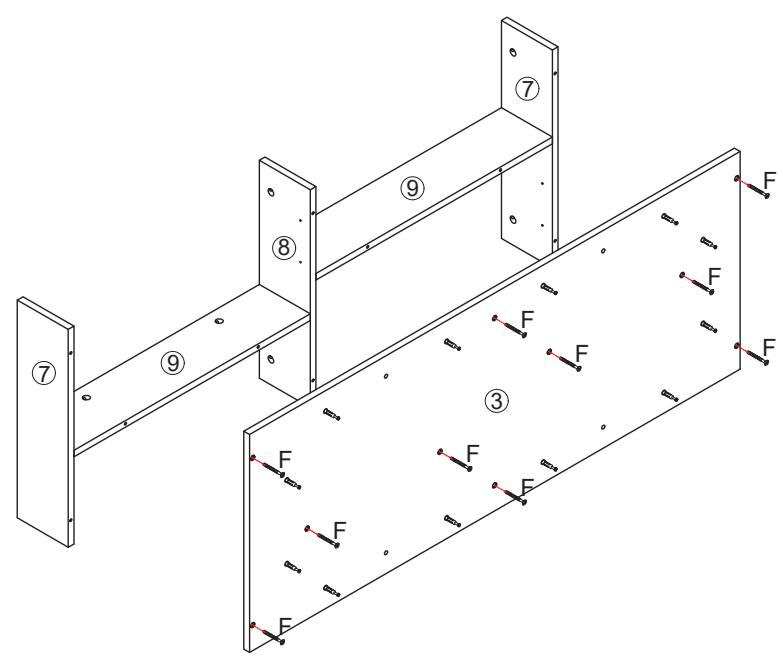



X2



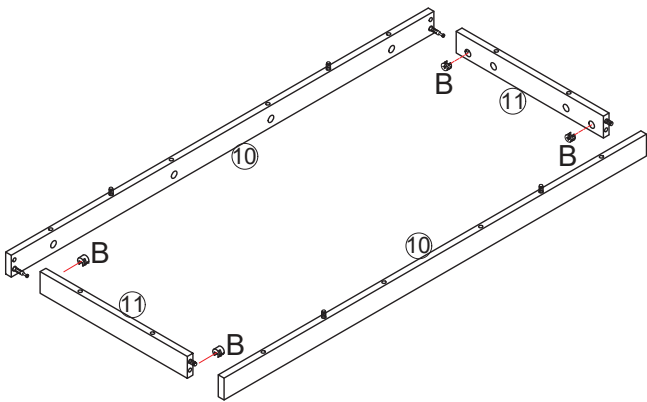
D	3.5*14	H1
		
8PCS		2PCS

P.5



F	7*50
	
10PCS	

4

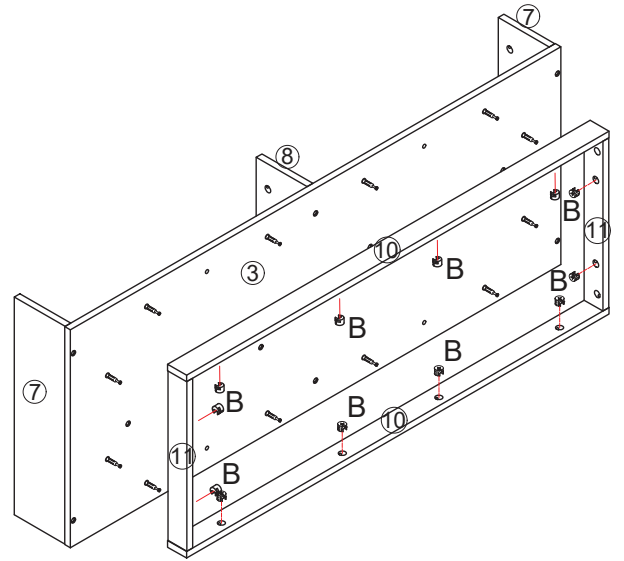


B



4PCS

P.6

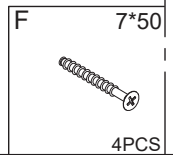
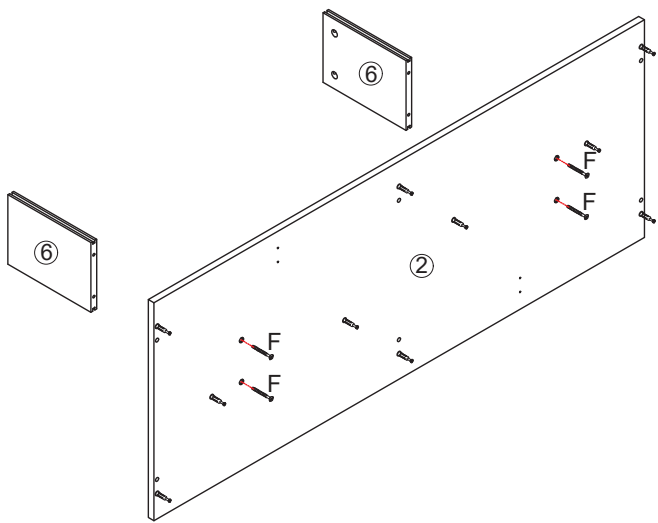


B

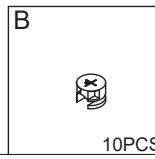
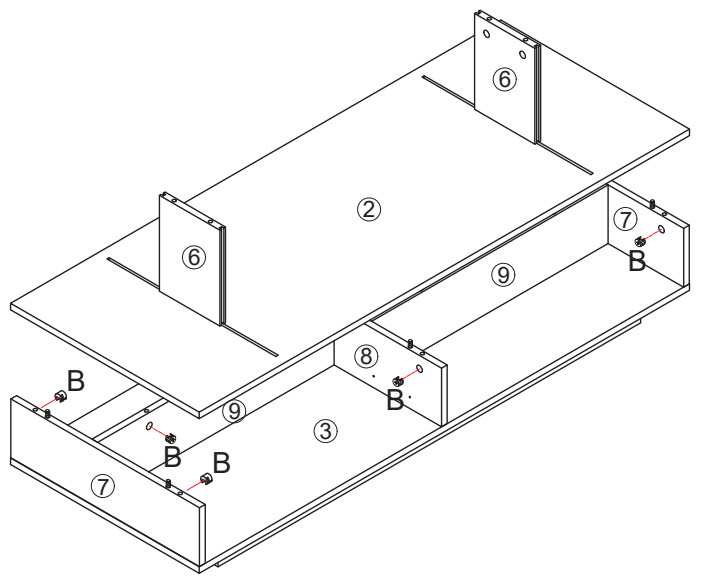


12PCS

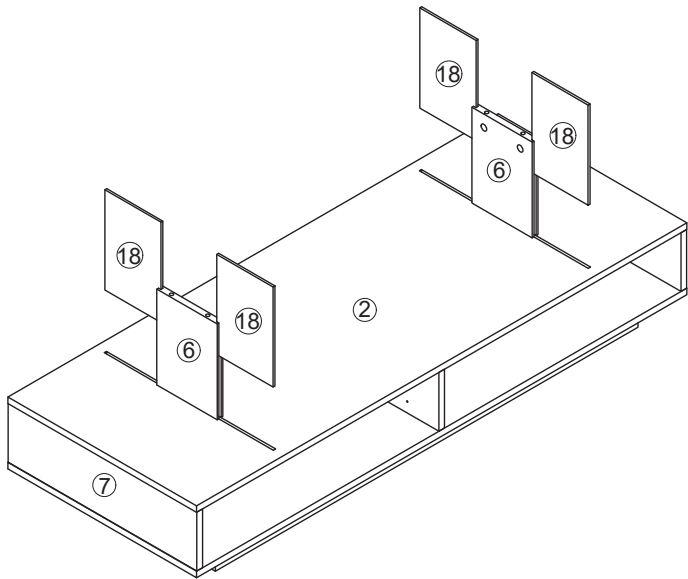
5



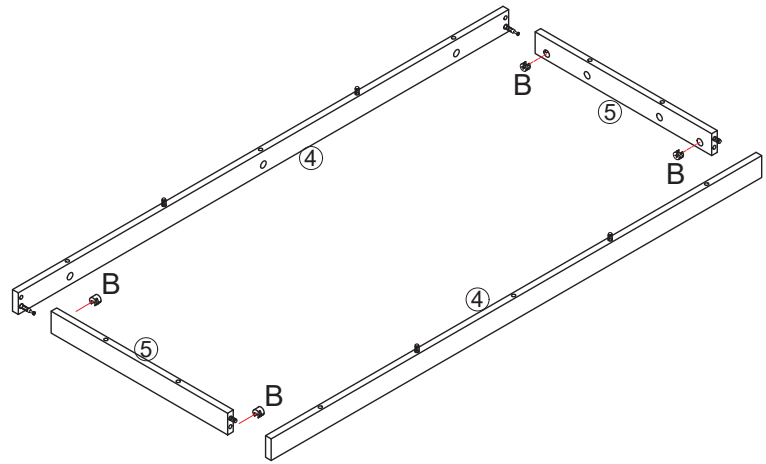
P.7



6



P.8

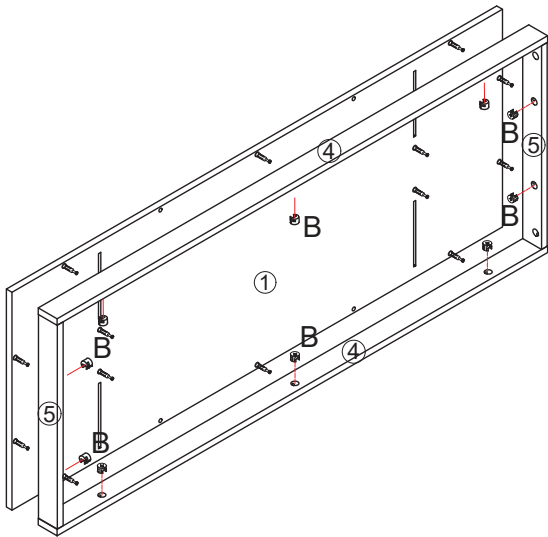


B



4PCS

7

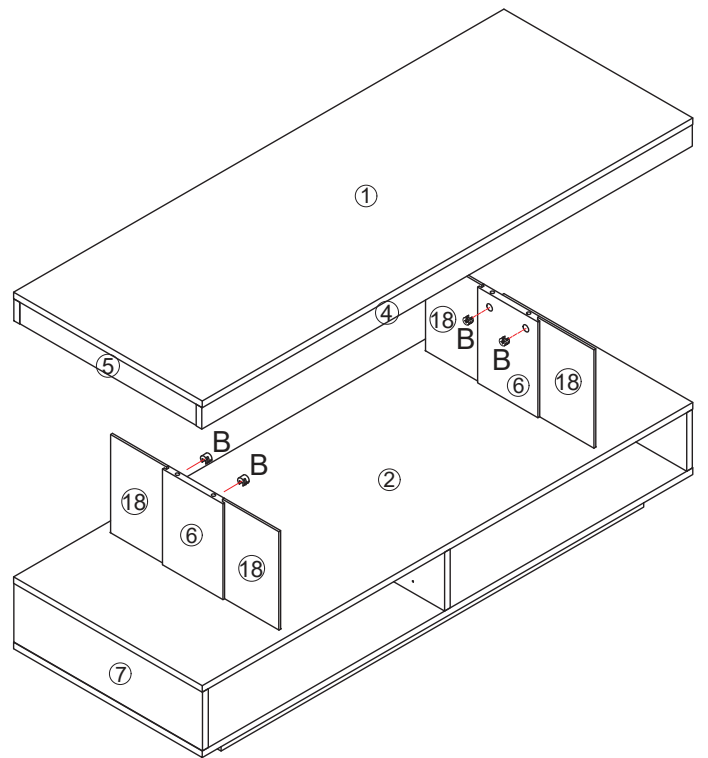


B



10PCS

P.9



B

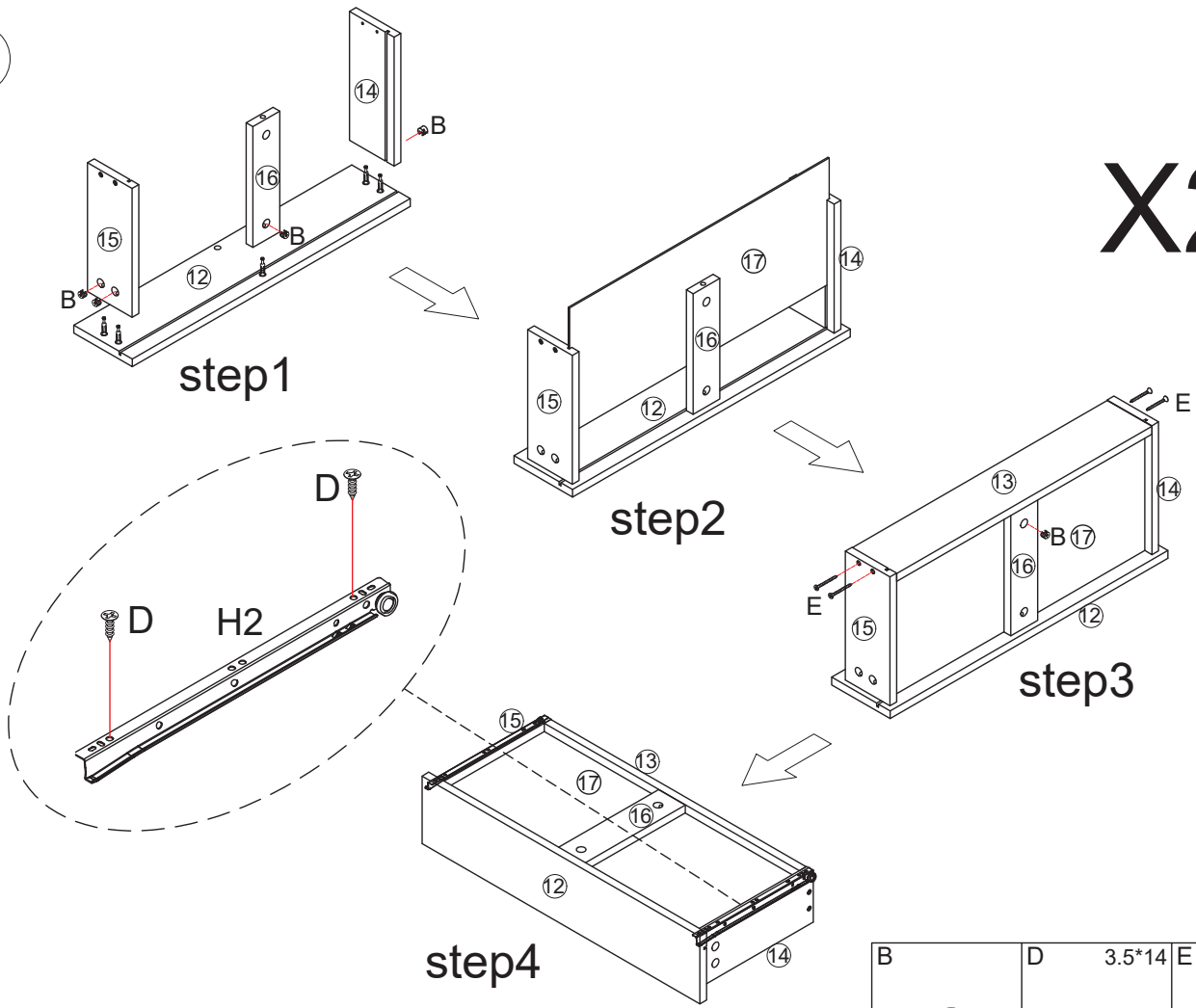


4PCS

8

P.10

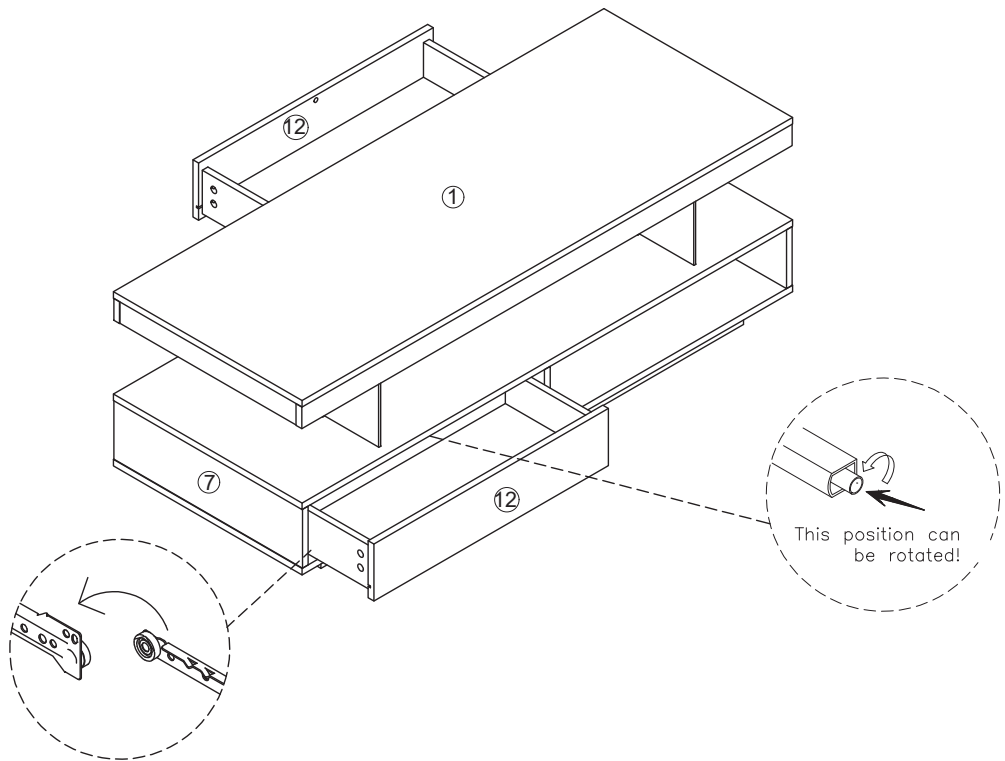
X2



B	D	3.5*14	E	3.5*35	H2
12PCS	8PCS	8PCS	8PCS	2PCS	

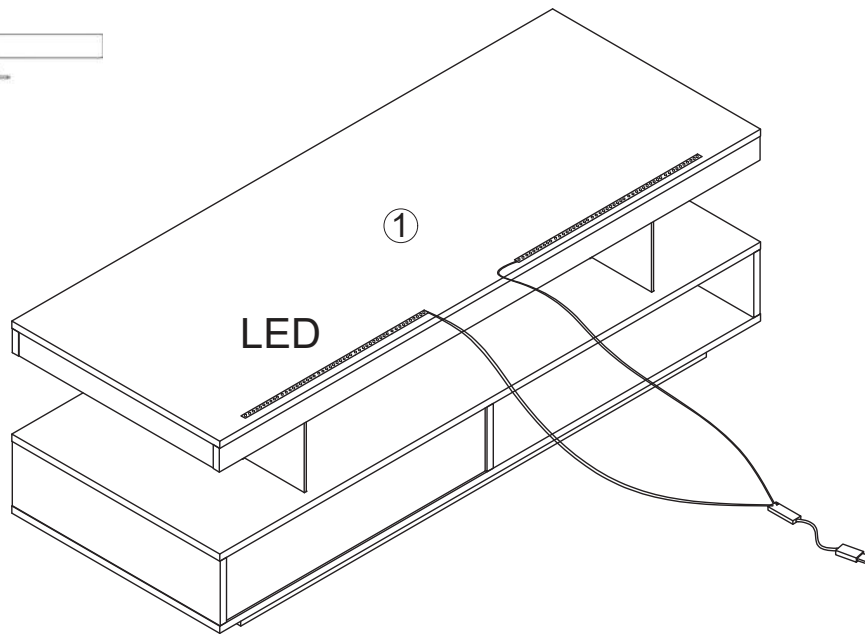
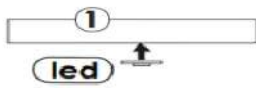
9

P.11



10

LED light tape stick to the lower side of the board ①



LED



1PCS

NOTE: The battery in the remote control requires you to purchase and install it yourself.

1



2



3



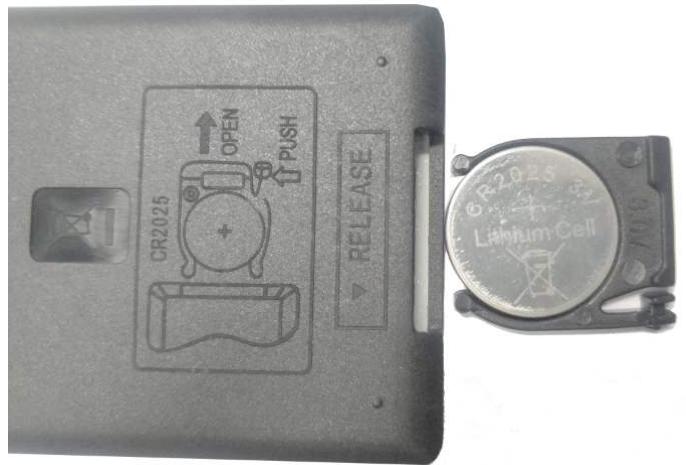
4



5



6



7



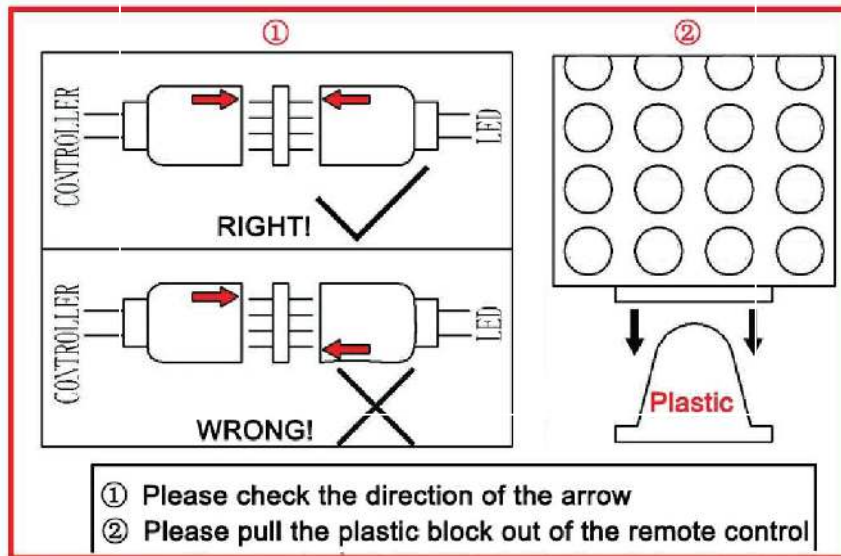
8



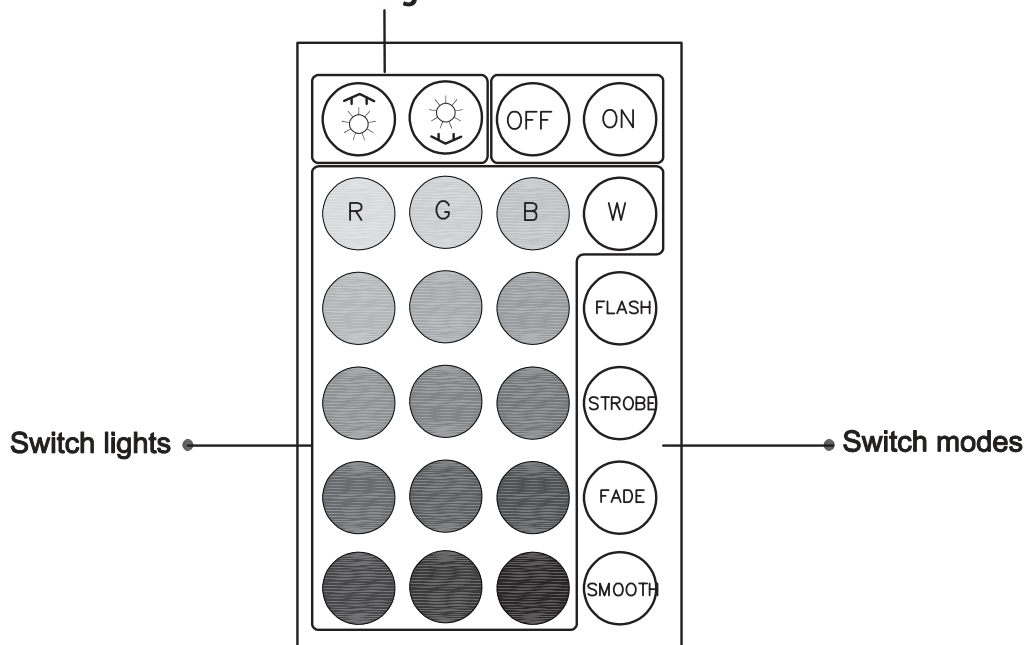
## LED light

If you can't let the lights work successfully, please check the following:

1. Please check the direction of the connect, try it in the opposite direction, according to the following picture.
2. Please check the remote control, it need you to tear down the plastic septum before use it.
3. Don't let the remote control too far from the receiver, make sure there is no obstruction between them.
4. When using the remote control, please make sure to aim at the receiver, not the light strip



## Switch lightness



Please note that for transportation safety, the remote control does not contain batteries; the attery model is: CR2025