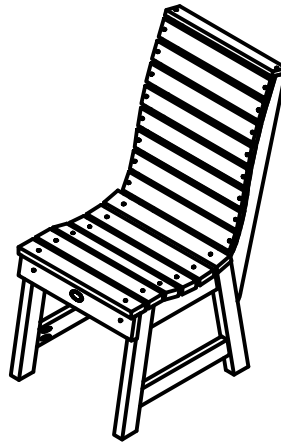


Dining Height Side Chair

Assembly Guide

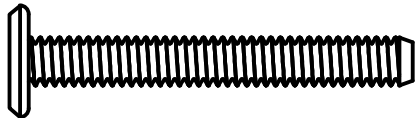


CHDW3

*Actual Style May Vary from the One Pictured in this Guide

HARDWARE INCLUDED

A

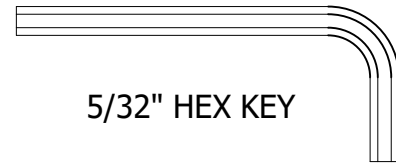


Qty: 16

1/4-20 x 2"

* You Will Have (4) Extra Bolts *

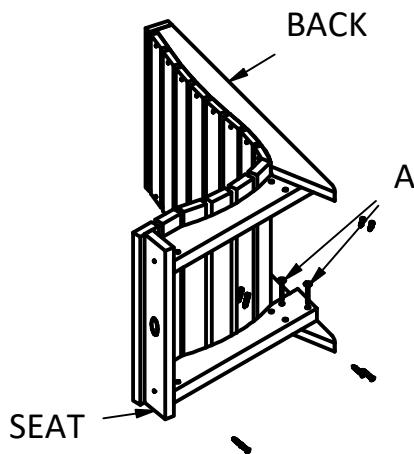
TOOLS INCLUDED



5/32" HEX KEY

IMPORTANT!

DO NOT fully tighten bolts until all bolts are started.

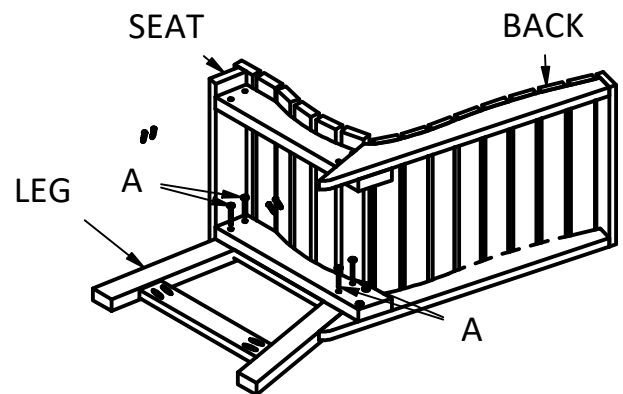


STEP 1

Lay the back on its side and attach seat with (2) A bolts.

STEP 2

Repeat this step on the other side.



STEP 3

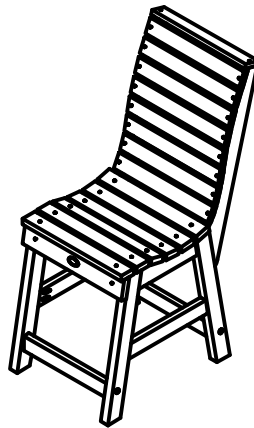
Place the connected back and seat on top of the leg as shown and attached with (4) A bolts

STEP 4

Repeat this step on the other side.

Counter Height Side Chair

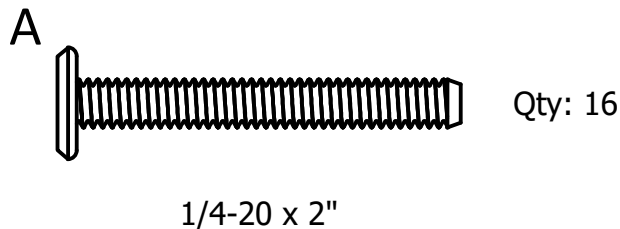
Assembly Guide



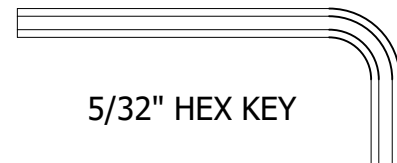
CHCW3

*Actual Style May Vary from
the One Pictured in this Guide

HARDWARE INCLUDED

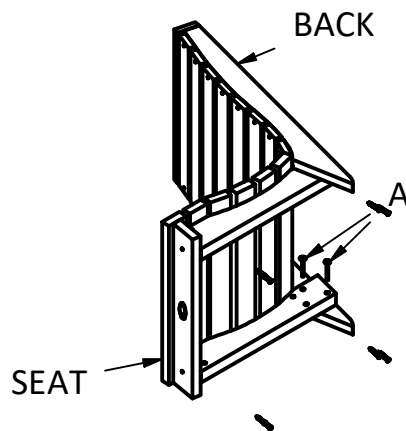


TOOLS INCLUDED



IMPORTANT!

DO NOT fully tighten bolts until all bolts are started.

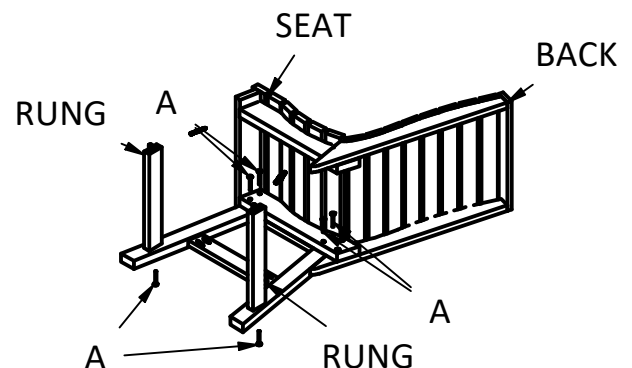


STEP 1

Lay the back on its side and attach seat with (2) A bolts.

STEP 2

Repeat this step on the other side.



STEP 3

Place the connected back and seat on top of the leg as shown and attached with (4) A bolts. Also Attach the Rung Using (1) A bolt for each

STEP 4

Repeat this step on the other side.